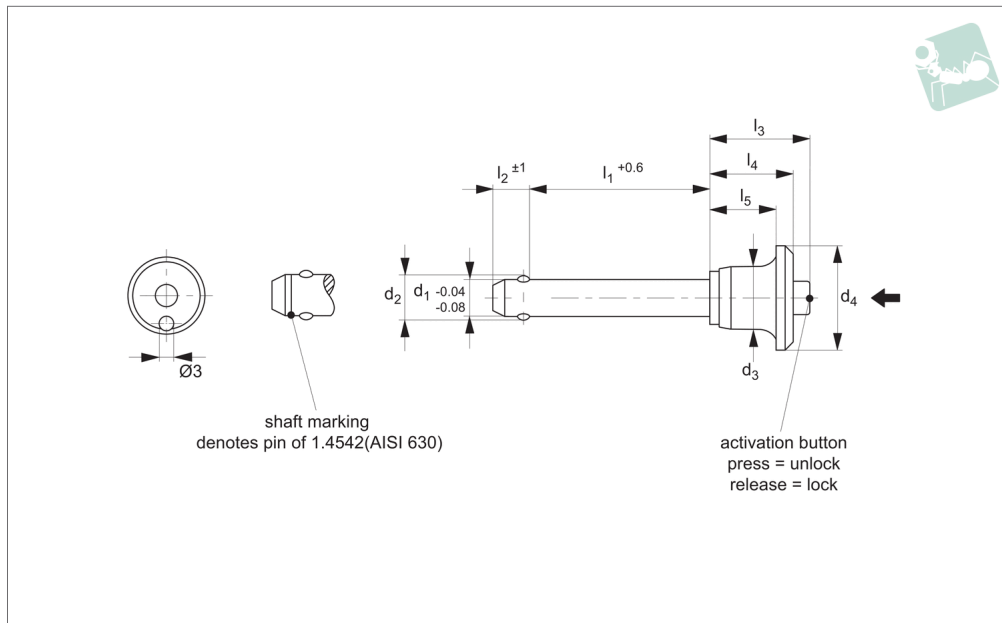




# Ball Lock Pins - Mushroom Handle

single acting - self-locking - stainless 1.4542

## Quick Release Pins



**QR1206**

QUICK RELEASE PINS

### Material

Pin: Stainless steel 1.4542 (AISI 630), precipitation hardened, blast finish. Offering extreme load capacity. (Marked at end of shaft to denote 1.4542 material).  
Ball: stainless steel 1.3541  
Spring: stainless steel.  
Handle: aluminium, black (RAL9003).

### Technical Notes

Pressing = unlocking.  
Releasing = locking.  
Temperature resistance -30°C to +150°C  
For quick fastening and locking of frequently repeated connections.

### Tips

For lanyards & retaining cables see part no. LA1066. Easy install locating bushes available see part no. LA1310.

### Important Notes

\*Shearing resistance similar to DIN 50141.

Order No.	Stainless type	d <sub>1</sub>	d <sub>2</sub>	d <sub>3</sub>	d <sub>4</sub>	l <sub>1</sub>	l <sub>2</sub>	l <sub>3</sub>	l <sub>4</sub>	l <sub>5</sub>	Location hole tol. H11	Shearing resistance, double min. kN	Weight g
QR1206.M05-010-T	Stainless 1.4542	5	5.5	11.3	20	10	6.0	20.7	17.6	14.6	5	24	12
QR1206.M05-015-T	Stainless 1.4542	5	5.5	11.3	20	15	6.0	20.7	17.6	14.6	5	24	12
QR1206.M05-020-T	Stainless 1.4542	5	5.5	11.3	20	20	6.0	20.7	17.6	14.6	5	24	13
QR1206.M05-025-T	Stainless 1.4542	5	5.5	11.3	20	25	6.0	20.7	17.6	14.6	5	24	14
QR1206.M05-030-T	Stainless 1.4542	5	5.5	11.3	20	30	6.0	20.7	17.6	14.6	5	24	15
QR1206.M06-010-T	Stainless 1.4542	6	7.0	11.3	20	10	7.0	20.7	17.6	14.6	6	35	13
QR1206.M06-015-T	Stainless 1.4542	6	7.0	11.3	20	15	7.0	20.7	17.6	14.6	6	35	14
QR1206.M06-020-T	Stainless 1.4542	6	7.0	11.3	20	20	7.0	20.7	17.6	14.6	6	35	15
QR1206.M06-025-T	Stainless 1.4542	6	7.0	11.3	20	25	7.0	20.7	17.6	14.6	6	35	16
QR1206.M06-030-T	Stainless 1.4542	6	7.0	11.3	20	30	7.0	20.7	17.6	14.6	6	35	17
QR1206.M06-035-T	Stainless 1.4542	6	7.0	11.3	20	35	7.0	20.7	17.6	14.6	6	35	18
QR1206.M06-040-T	Stainless 1.4542	6	7.0	11.3	20	40	7.0	20.7	17.6	14.6	6	35	19
QR1206.M06-045-T	Stainless 1.4542	6	7.0	11.3	20	45	7.0	20.7	17.6	14.6	6	35	20
QR1206.M06-050-T	Stainless 1.4542	6	7.0	11.3	20	50	7.0	20.7	17.6	14.6	6	35	21

# Quick Release Pins

## Ball Lock Pins - Mushroom Handle single acting - self-locking - stainless 1.4542



QUICK RELEASE PINS

Order No.	Stainless type	d <sub>1</sub>	d <sub>2</sub>	d <sub>3</sub>	d <sub>4</sub>	l <sub>1</sub>	l <sub>2</sub>	l <sub>3</sub>	l <sub>4</sub>	l <sub>5</sub>	Location hole tol. H11	Shearing resistance, double min. kN	Weight g
QR1206.M08-020-T	Stainless 1.4542	8	9.5	14.1	25	20	8.2	27.3	22.6	18.6	8	63	28
QR1206.M08-025-T	Stainless 1.4542	8	9.5	14.1	25	25	8.2	27.3	22.6	18.6	8	63	30
QR1206.M08-030-T	Stainless 1.4542	8	9.5	14.1	25	30	8.2	27.3	22.6	18.6	8	63	32
QR1206.M08-035-T	Stainless 1.4542	8	9.5	14.1	25	35	8.2	27.3	22.6	18.6	8	63	34
QR1206.M08-040-T	Stainless 1.4542	8	9.5	14.1	25	40	8.2	27.3	22.6	18.6	8	63	36
QR1206.M08-045-T	Stainless 1.4542	8	9.5	14.1	25	45	8.2	27.3	22.6	18.6	8	63	38
QR1206.M08-050-T	Stainless 1.4542	8	9.5	14.1	25	50	8.2	27.3	22.6	18.6	8	63	40
QR1206.M10-020-T	Stainless 1.4542	10	12.0	14.1	25	20	9.6	27.3	22.6	18.6	10	100	35
QR1206.M10-025-T	Stainless 1.4542	10	12.0	14.1	25	25	9.6	27.3	22.6	18.6	10	100	38
QR1206.M10-030-T	Stainless 1.4542	10	12.0	14.1	25	30	9.6	27.3	22.6	18.6	10	100	40
QR1206.M10-035-T	Stainless 1.4542	10	12.0	14.1	25	35	9.6	27.3	22.6	18.6	10	100	44
QR1206.M10-040-T	Stainless 1.4542	10	12.0	14.1	25	40	9.6	27.3	22.6	18.6	10	100	47
QR1206.M10-045-T	Stainless 1.4542	10	12.0	14.1	25	45	9.6	27.3	22.6	18.6	10	100	50
QR1206.M10-050-T	Stainless 1.4542	10	12.0	14.1	25	50	9.6	27.3	22.6	18.6	10	100	53
QR1206.M10-060-T	Stainless 1.4542	10	12.0	14.1	25	60	9.6	27.3	22.6	18.6	10	100	59
QR1206.M12-025-T	Stainless 1.4542	12	14.5	17.7	35	25	10.6	33.2	27.3	22.3	12	144	69
QR1206.M12-030-T	Stainless 1.4542	12	14.5	17.7	35	30	10.6	33.2	27.3	22.3	12	144	73
QR1206.M12-035-T	Stainless 1.4542	12	14.5	17.7	35	35	10.6	33.2	27.3	22.3	12	144	78
QR1206.M12-040-T	Stainless 1.4542	12	14.5	17.7	35	40	10.6	33.2	27.3	22.3	12	144	82
QR1206.M12-045-T	Stainless 1.4542	12	14.5	17.7	35	45	10.6	33.2	27.3	22.3	12	144	86
QR1206.M12-050-T	Stainless 1.4542	12	14.5	17.7	35	50	10.6	33.2	27.3	22.3	12	144	90
QR1206.M12-060-T	Stainless 1.4542	12	14.5	17.7	35	60	10.6	33.2	27.3	22.3	12	144	99
QR1206.M12-070-T	Stainless 1.4542	12	14.5	17.7	35	70	10.6	33.2	27.3	22.3	12	144	108





# Ball Lock Pins - Mushroom Handle

single acting - self-locking - stainless 1.4542

## Quick Release Pins

Order No.	Stainless type	d <sub>1</sub>	d <sub>2</sub>	d <sub>3</sub>	d <sub>4</sub>	l <sub>1</sub>	l <sub>2</sub>	l <sub>3</sub>	l <sub>4</sub>	l <sub>5</sub>	Location hole tol. H11	Shearing resistance, double kN min.	Weight g
QR1206.M12-080-T	Stainless 1.4542	12	14.5	17.7	35	80	10.6	33.2	27.3	22.3	12	144	116



QUICK RELEASE PINS