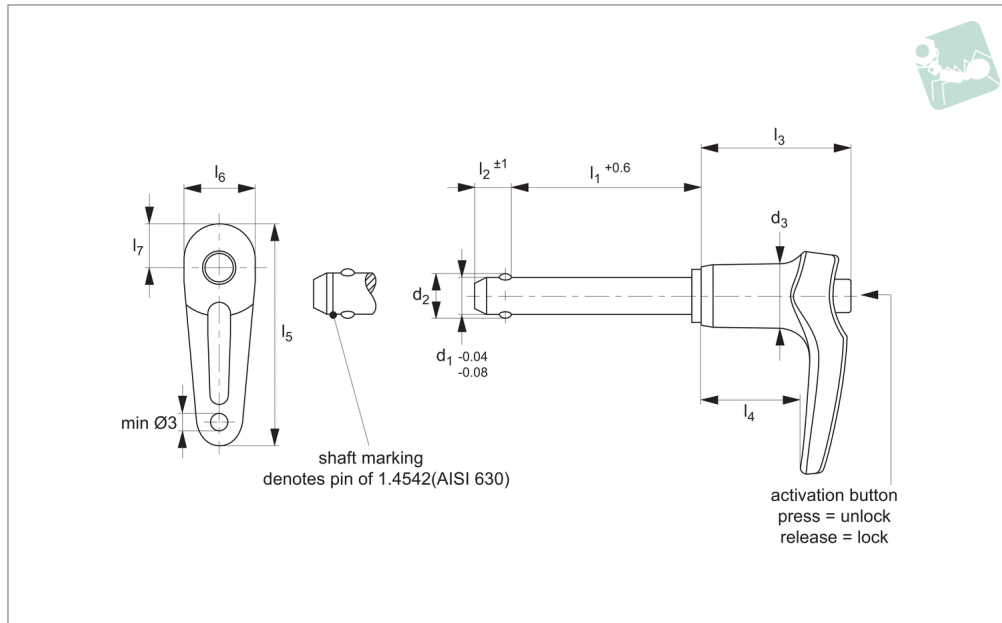




Ball Lock Pins - Single Acting - L- self-locking - stainless 1.4305

Quick Release Pins



QR1104

QUICK RELEASE PINS

Material

Pin: stainless steel 1.4305 (AISI 303).
Ball: stainless steel 1.3541
Spring: stainless steel

Releasing = locking.

Temperature resistance -30°C to +150°C.
For quick fastening and locking of
frequently repeated connections.

LA1066. Easy install locating bushes
available see part no. LA1310.

Important Notes

*Shearing resistance similar to DIN 50141.

Technical Notes

Pressing = unlocking.

Tips

For lanyards & retaining cables see aprt no.

Order No.	Material	d ₁	l ₁	d ₂	d ₃	l ₂	l ₃	l ₄	l ₅	l ₆	l ₇	Location hole dia. tol. H11	Shearing resistance kN	Weight g
QR1104.M05-010-S	Stainless 1.4305	5	10	5.5	11.8	6.0	31.6	21.9	43.8	12.6	8.5	5	14	20
QR1104.M05-015-S	Stainless 1.4305	5	15	5.5	11.8	6.0	31.6	21.9	43.8	12.6	8.5	5	14	21
QR1104.M05-020-S	Stainless 1.4305	5	20	5.5	11.8	6.0	31.6	21.9	43.8	12.6	8.5	5	14	21
QR1104.M05-025-S	Stainless 1.4305	5	25	5.5	11.8	6.0	31.6	21.9	43.8	12.6	8.5	5	14	22
QR1104.M05-030-S	Stainless 1.4305	5	30	5.5	11.8	6.0	31.6	21.9	43.8	12.6	8.5	5	14	23
QR1104.M06-010-S	Stainless 1.4305	6	10	7.0	11.8	7.0	31.6	21.9	43.8	12.6	8.5	6	21	21
QR1104.M06-015-S	Stainless 1.4305	6	15	7.0	11.8	7.0	31.6	21.9	43.8	12.6	8.5	6	21	22
QR1104.M06-020-S	Stainless 1.4305	6	20	7.0	11.8	7.0	31.6	21.9	43.8	12.6	8.5	6	21	23
QR1104.M06-025-S	Stainless 1.4305	6	25	7.0	11.8	7.0	31.6	21.9	43.8	12.6	8.5	6	21	24
QR1104.M06-030-S	Stainless 1.4305	6	30	7.0	11.8	7.0	31.6	21.9	43.8	12.6	8.5	6	21	25
QR1104.M06-035-S	Stainless 1.4305	6	35	7.0	11.8	7.0	31.6	21.9	43.8	12.6	8.5	6	21	26
QR1104.M06-040-S	Stainless 1.4305	6	40	7.0	11.8	7.0	31.6	21.9	43.8	12.6	8.5	6	21	27
QR1104.M06-045-S	Stainless 1.4305	6	45	7.0	11.8	7.0	31.6	21.9	43.8	12.6	8.5	6	21	28
QR1104.M06-050-S	Stainless 1.4305	6	50	7.0	11.8	7.0	31.6	21.9	43.8	12.6	8.5	6	21	29
QR1104.M08-020-S	Stainless 1.4305	8	20	9.5	14.7	8.2	35.8	24.4	49.7	15.8	9.9	8	38	37

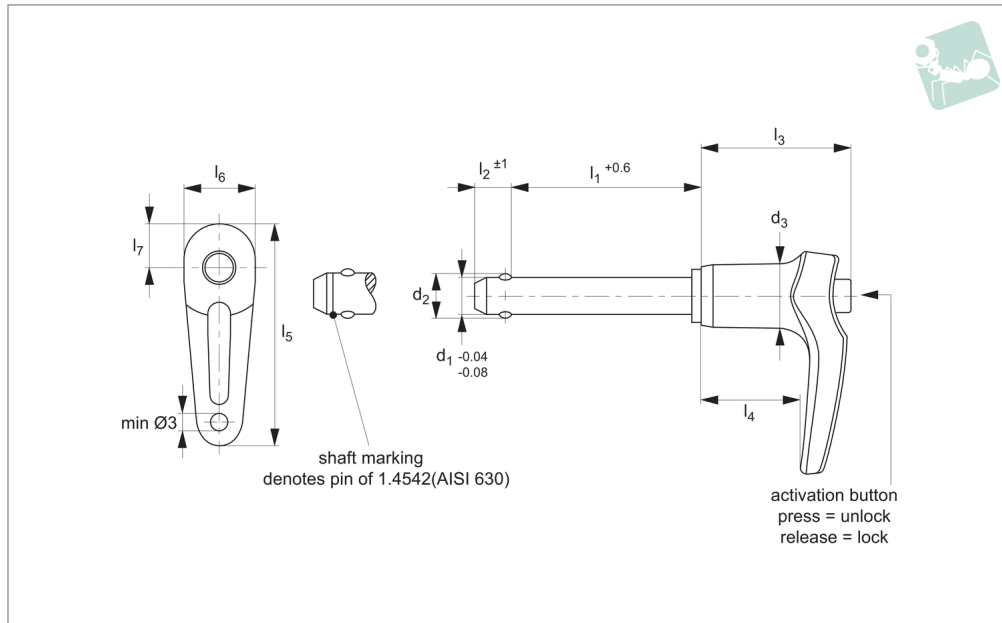


Order No.	Material	d ₁	l ₁	d ₂	d ₃	l ₂	l ₃	l ₄	l ₅	l ₆	l ₇	Location hole dia. tol. H11	Shearing resistance kN	Weight g
QR1104.M08-025-S	Stainless 1.4305	8	25	9.5	14.7	8.2	35.8	24.4	49.7	15.8	9.9	8	38	39
QR1104.M08-030-S	Stainless 1.4305	8	30	9.5	14.7	8.2	35.8	24.4	49.7	15.8	9.9	8	38	41
QR1104.M08-035-S	Stainless 1.4305	8	35	9.5	14.7	8.2	35.8	24.4	49.7	15.8	9.9	8	38	43
QR1104.M08-040-S	Stainless 1.4305	8	40	9.5	14.7	8.2	35.8	24.4	49.7	15.8	9.9	8	38	45
QR1104.M08-045-S	Stainless 1.4305	8	45	9.5	14.7	8.2	35.8	24.4	49.7	15.8	9.9	8	38	46
QR1104.M08-050-S	Stainless 1.4305	8	50	9.5	14.7	8.2	35.8	24.4	49.7	15.8	9.9	8	38	48
QR1104.M10-020-S	Stainless 1.4305	10	20	12.0	14.7	9.6	35.8	24.4	49.7	15.8	9.9	10	60	44
QR1104.M10-025-S	Stainless 1.4305	10	25	12.0	14.7	9.6	35.8	24.4	49.7	15.8	9.9	10	60	47
QR1104.M10-030-S	Stainless 1.4305	10	30	12.0	14.7	9.6	35.8	24.4	49.7	15.8	9.9	10	60	50
QR1104.M10-035-S	Stainless 1.4305	10	35	12.0	14.7	9.6	35.8	24.4	49.7	15.8	9.9	10	60	53
QR1104.M10-040-S	Stainless 1.4305	10	40	12.0	14.7	9.6	35.8	24.4	49.7	15.8	9.9	10	60	56
QR1104.M10-045-S	Stainless 1.4305	10	45	12.0	14.7	9.6	35.8	24.4	49.7	15.8	9.9	10	60	58
QR1104.M10-050-S	Stainless 1.4305	10	50	12.0	14.7	9.6	35.8	24.4	49.7	15.8	9.9	10	60	62
QR1104.M10-060-S	Stainless 1.4305	10	60	12.0	14.7	9.6	35.8	24.4	49.7	15.8	9.9	10	60	67
QR1104.M12-025-S	Stainless 1.4305	12	25	14.5	18.2	10.6	35.1	22.7	57.1	20.2	12.6	12	87	73
QR1104.M12-030-S	Stainless 1.4305	12	30	14.5	18.2	10.6	35.1	22.7	57.1	20.2	12.6	12	87	77
QR1104.M12-035-S	Stainless 1.4305	12	35	14.5	18.2	10.6	35.1	22.7	57.1	20.2	12.6	12	87	82
QR1104.M12-040-S	Stainless 1.4305	12	40	14.5	18.2	10.6	35.1	22.7	57.1	20.2	12.6	12	87	86
QR1104.M12-045-S	Stainless 1.4305	12	45	14.5	18.2	10.6	35.1	22.7	57.1	20.2	12.6	12	87	90
QR1104.M12-050-S	Stainless 1.4305	12	50	14.5	18.2	10.6	35.1	22.7	57.1	20.2	12.6	12	87	94
QR1104.M12-060-S	Stainless 1.4305	12	60	14.5	18.2	10.6	35.1	22.7	57.1	20.2	12.6	12	87	103
QR1104.M12-070-S	Stainless 1.4305	12	70	14.5	18.2	10.6	35.1	22.7	57.1	20.2	12.6	12	87	111
QR1104.M12-080-S	Stainless 1.4305	12	80	14.5	18.2	10.6	35.1	22.7	57.1	20.2	12.6	12	87	120



Ball Lock Pins - Single Acting - L- self-locking - stainless 1.4542

Quick Release Pins



QR1106

QUICK RELEASE PINS

Material

Pin: stainless steel 1.4542 (AISI 630).
Precipitation hardened, blast finish. Offering extreme load capacity. (Marked at end of shaft to denote 1.4542 material).
Ball: stainless steel 1.3541
Handle: aluminium, black (RAL9003).
Spring: stainless steel.

Technical Notes

Pressing = unlocking.
Releasing = locking.
Temperature resistance -30°C to +150°C.
For quick fastening and locking of frequently repeated connections.

Tips

For lanyards & retaining cables see aprt no. LA1066. Easy install locating bushes available see part no. LA1310.

Important Notes

*Shearing resistance similar to DIN 50141.

Order No.	Material	d ₁	l ₁	d ₂	d ₃	l ₂	l ₃	l ₄	l ₅	l ₆	l ₇	Location hole dia. tol. H11	Shearing resistance kN	Weight g
QR1106.M05-010-T	Stainless 1.4542	5	10	5.5	11.8	6.0	31.6	21.9	43.8	12.6	8.5	5	24	20
QR1106.M05-015-T	Stainless 1.4542	5	15	5.5	11.8	6.0	31.6	21.9	43.8	12.6	8.5	5	24	21
QR1106.M05-020-T	Stainless 1.4542	5	20	5.5	11.8	6.0	31.6	21.9	43.8	12.6	8.5	5	24	21
QR1106.M05-025-T	Stainless 1.4542	5	25	5.5	11.8	6.0	31.6	21.9	43.8	12.6	8.5	5	24	22
QR1106.M05-030-T	Stainless 1.4542	5	30	5.5	11.8	6.0	31.6	21.9	43.8	12.6	8.5	5	24	23
QR1106.M06-010-T	Stainless 1.4542	6	10	7.0	11.8	7.0	31.6	21.9	43.8	12.6	8.5	6	35	21
QR1106.M06-015-T	Stainless 1.4542	6	15	7.0	11.8	7.0	31.6	21.9	43.8	12.6	8.5	6	35	22
QR1106.M06-020-T	Stainless 1.4542	6	20	7.0	11.8	7.0	31.6	21.9	43.8	12.6	8.5	6	35	23
QR1106.M06-025-T	Stainless 1.4542	6	25	7.0	11.8	7.0	31.6	21.9	43.8	12.6	8.5	6	35	24
QR1106.M06-030-T	Stainless 1.4542	6	30	7.0	11.8	7.0	31.6	21.9	43.8	12.6	8.5	6	35	25
QR1106.M06-035-T	Stainless 1.4542	6	35	7.0	11.8	7.0	31.6	21.9	43.8	12.6	8.5	6	35	26
QR1106.M06-040-T	Stainless 1.4542	6	40	7.0	11.8	7.0	31.6	21.9	43.8	12.6	8.5	6	35	27
QR1106.M06-045-T	Stainless 1.4542	6	45	7.0	11.8	7.0	31.6	21.9	43.8	12.6	8.5	6	35	28
QR1106.M06-050-T	Stainless 1.4542	6	50	7.0	11.8	7.0	31.6	21.9	43.8	12.6	8.5	6	35	29

Quick Release Pins

Ball Lock Pins - Single Acting - L- self-locking - stainless 1.4542



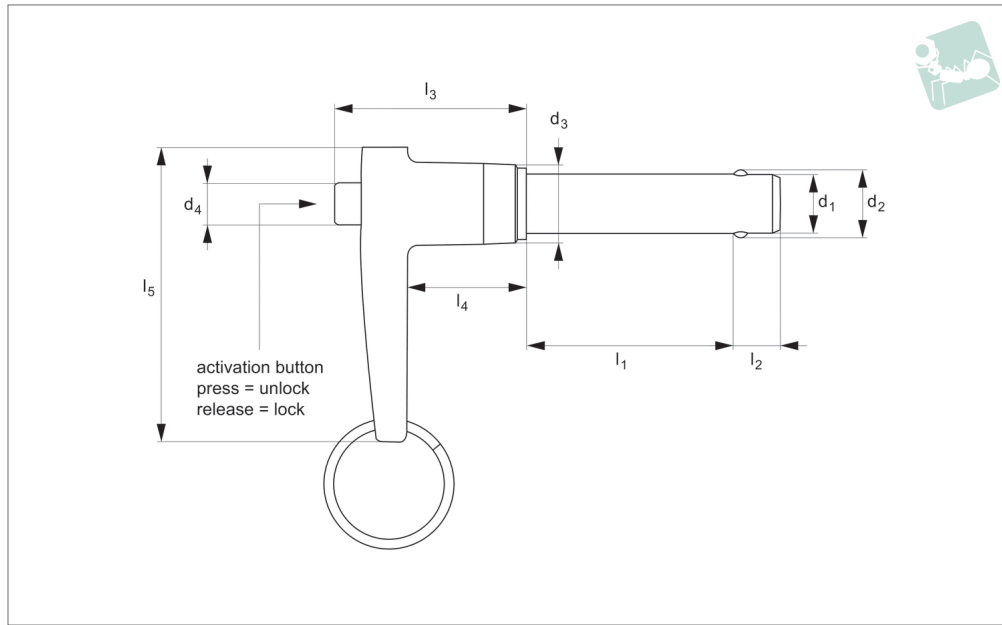
QUICK RELEASE PINS

Order No.	Material	d ₁	l ₁	d ₂	d ₃	l ₂	l ₃	l ₄	l ₅	l ₆	l ₇	Location hole dia. tol. H11	Shearing resistance kN	Weight g
QR1106.M08-020-T	Stainless 1.4542	8	20	9.5	14.7	8.2	35.8	24.4	49.7	15.8	9.9	8	63	37
QR1106.M08-025-T	Stainless 1.4542	8	25	9.5	14.7	8.2	35.8	24.4	49.7	15.8	9.9	8	63	39
QR1106.M08-030-T	Stainless 1.4542	8	30	9.5	14.7	8.2	35.8	24.4	49.7	15.8	9.9	8	63	41
QR1106.M08-035-T	Stainless 1.4542	8	35	9.5	14.7	8.2	35.8	24.4	49.7	15.8	9.9	8	63	43
QR1106.M08-040-T	Stainless 1.4542	8	40	9.5	14.7	8.2	35.8	24.4	49.7	15.8	9.9	8	63	45
QR1106.M08-045-T	Stainless 1.4542	8	45	9.5	14.7	8.2	35.8	24.4	49.7	15.8	9.9	8	63	46
QR1106.M08-050-T	Stainless 1.4542	8	50	9.5	14.7	8.2	35.8	24.4	49.7	15.8	9.9	8	63	48
QR1106.M10-020-T	Stainless 1.4542	10	20	12.0	14.7	9.6	35.8	24.4	49.7	15.8	9.9	10	100	44
QR1106.M10-025-T	Stainless 1.4542	10	25	12.0	14.7	9.6	35.8	24.4	49.7	15.8	9.9	10	100	47
QR1106.M10-030-T	Stainless 1.4542	10	30	12.0	14.7	9.6	35.8	24.4	49.7	15.8	9.9	10	100	50
QR1106.M10-035-T	Stainless 1.4542	10	35	12.0	14.7	9.6	35.8	24.4	49.7	15.8	9.9	10	100	53
QR1106.M10-040-T	Stainless 1.4542	10	40	12.0	14.7	9.6	35.8	24.4	49.7	15.8	9.9	10	100	56
QR1106.M10-045-T	Stainless 1.4542	10	45	12.0	14.7	9.6	35.8	24.4	49.7	15.8	9.9	10	100	58
QR1106.M10-050-T	Stainless 1.4542	10	50	12.0	14.7	9.6	35.8	24.4	49.7	15.8	9.9	10	100	62
QR1106.M10-060-T	Stainless 1.4542	10	60	12.0	14.7	9.6	35.8	24.4	49.7	15.8	9.9	10	100	67
QR1106.M12-025-T	Stainless 1.4542	12	25	14.5	18.2	10.6	35.1	22.7	57.1	20.2	12.6	12	144	73
QR1106.M12-030-T	Stainless 1.4542	12	30	14.5	18.2	10.6	35.1	22.7	57.1	20.2	12.6	12	144	77
QR1106.M12-035-T	Stainless 1.4542	12	35	14.5	18.2	10.6	35.1	22.7	57.1	20.2	12.6	12	144	82
QR1106.M12-040-T	Stainless 1.4542	12	40	14.5	18.2	10.6	35.1	22.7	57.1	20.2	12.6	12	144	86
QR1106.M12-045-T	Stainless 1.4542	12	45	14.5	18.2	10.6	35.1	22.7	57.1	20.2	12.6	12	144	90
QR1106.M12-050-T	Stainless 1.4542	12	50	14.5	18.2	10.6	35.1	22.7	57.1	20.2	12.6	12	144	94
QR1106.M12-060-T	Stainless 1.4542	12	60	14.5	18.2	10.6	35.1	22.7	57.1	20.2	12.6	12	144	103
QR1106.M12-070-T	Stainless 1.4542	12	70	14.5	18.2	10.6	35.1	22.7	57.1	20.2	12.6	12	144	111
QR1106.M12-080-T	Stainless 1.4542	12	80	14.5	18.2	10.6	35.1	22.7	57.1	20.2	12.6	12	144	120



Quick Release Pins - Metric - L-handle steel pin

Quick Release Pins



QR1112

QUICK RELEASE PINS

Material

Pin: alloy steel, 4130 (DIN 1.7218), Zinc plated clear chromate. Tensile strength 1,100 N/mm² min. RoHS compliant.
Handle: Alu. 380 die cast (DIN ALSi9Cu3), black anodised (RAL 9003).
Actuator button: Alu. 2024-T4 (DIN AlCuMg2), anodised blue or clear.

Internal spindle, balls and split ring (supplied); from stainless steel.

Technical Notes

Pressing = unlocking.
Releasing = locking.
Temperature range -30°C to +150°C
Supplied with split ring.

Tips

For quick fastening and locking frequently repeated connections.
For lanyards & retaining cables see part nos. L to LA1224. For easy install locating bushes and end caps see part nos. LA1260 to LA1355.

Order No.	d ₁ nom. dia.	l ₁ grip +0.50 - 0.00	Material	d ₁ max.	d ₁ min.	d ₂ ±0.25	d ₃	d ₄	l ₂ ±1.00	l ₃	l ₄	l ₅	Loc'n hole min. max.	Pull out strength kN min.	Calc. double shear kN
QR1112.M05-010-C	5	10	4130 Steel	4.96	4.92	5.54	11.9	5.8	6	30.7	19.3	46.7	5,0/ 5,1	0.89	21.6
QR1112.M05-015-C	5	15	4130 Steel	4.96	4.92	5.54	11.9	5.8	6	30.7	19.3	46.7	5,0/ 5,1	0.89	21.6
QR1112.M05-020-C	5	20	4130 Steel	4.96	4.92	5.54	11.9	5.8	6	30.7	19.3	46.7	5,0/ 5,1	0.89	21.6
QR1112.M05-025-C	5	25	4130 Steel	4.96	4.92	5.54	11.9	5.8	6	30.7	19.3	46.7	5,0/ 5,1	0.89	21.6
QR1112.M05-030-C	5	30	4130 Steel	4.96	4.92	5.54	11.9	5.8	6	30.7	19.3	46.7	5,0/ 5,1	0.89	21.6
QR1112.M05-035-C	5	35	4130 Steel	4.96	4.92	5.54	11.9	5.8	6	30.7	19.3	46.7	5,0/ 5,1	0.89	21.6
QR1112.M05-040-C	5	40	4130 Steel	4.96	4.92	5.54	11.9	5.8	6	30.7	19.3	46.7	5,0/ 5,1	0.89	21.6
QR1112.M05-045-C	5	45	4130 Steel	4.96	4.92	5.54	11.9	5.8	6	30.7	19.3	46.7	5,0/ 5,1	0.89	21.6
QR1112.M05-050-C	5	50	4130 Steel	4.96	4.92	5.54	11.9	5.8	6	30.7	19.3	46.7	5,0/ 5,1	0.89	21.6
QR1112.M05-060-C	5	60	4130 Steel	4.96	4.92	5.54	11.9	5.8	6	30.7	19.3	46.7	5,0/ 5,1	0.89	21.6
QR1112.M05-070-C	5	70	4130 Steel	4.96	4.92	5.54	11.9	5.8	6	30.7	19.3	46.7	5,0/ 5,1	0.89	21.6
QR1112.M05-080-C	5	80	4130 Steel	4.96	4.92	5.54	11.9	5.8	6	30.7	19.3	46.7	5,0/ 5,1	0.89	21.6
QR1112.M05-090-C	5	90	4130 Steel	4.96	4.92	5.54	11.9	5.8	6	30.7	19.3	46.7	5,0/ 5,1	0.89	21.6
QR1112.M05-100-C	5	100	4130 Steel	4.96	4.92	5.54	11.9	5.8	6	30.7	19.3	46.7	5,0/ 5,1	0.89	21.6

Quick Release Pins

Quick Release Pins - Metric - L-handle steel pin



QUICK RELEASE PINS

Order No.	d ₁ nom. dia.	l ₁ grip +0.50 - 0.00	Material	d ₁ max.	d ₁ min.	d ₂ ±0.25	d ₃	d ₄	l ₂ ±1.00	l ₃	l ₄	l ₅	Loc'n hole min. max.	Pull out strength kN min.	Calc. double shear kN
QR1112.M06-010-C	6	10	4130 Steel	5.96	5.92	6.99	11.9	5.8	7	30.7	19.3	46.7	6,0/ 6,1	1.02	31.69
QR1112.M06-015-C	6	15	4130 Steel	5.96	5.92	6.99	11.9	5.8	7	30.7	19.3	46.7	6,0/ 6,1	1.02	31.69
QR1112.M06-020-C	6	20	4130 Steel	5.96	5.92	6.99	11.9	5.8	7	30.7	19.3	46.7	6,0/ 6,1	1.02	31.69
QR1112.M06-025-C	6	25	4130 Steel	5.96	5.92	6.99	11.9	5.8	7	30.7	19.3	46.7	6,0/ 6,1	1.02	31.69
QR1112.M06-030-C	6	30	4130 Steel	5.96	5.92	6.99	11.9	5.8	7	30.7	19.3	46.7	6,0/ 6,1	1.02	31.69
QR1112.M06-035-C	6	35	4130 Steel	5.96	5.92	6.99	11.9	5.8	7	30.7	19.3	46.7	6,0/ 6,1	1.02	31.69
QR1112.M06-040-C	6	40	4130 Steel	5.96	5.92	6.99	11.9	5.8	7	30.7	19.3	46.7	6,0/ 6,1	1.02	31.69
QR1112.M06-045-C	6	45	4130 Steel	5.96	5.92	6.99	11.9	5.8	7	30.7	19.3	46.7	6,0/ 6,1	1.02	31.69
QR1112.M06-050-C	6	50	4130 Steel	5.96	5.92	6.99	11.9	5.8	7	30.7	19.3	46.7	6,0/ 6,1	1.02	31.69
QR1112.M06-060-C	6	60	4130 Steel	5.96	5.92	6.99	11.9	5.8	7	30.7	19.3	46.7	6,0/ 6,1	1.02	31.69
QR1112.M06-070-C	6	70	4130 Steel	5.96	5.92	6.99	11.9	5.8	7	30.7	19.3	46.7	6,0/ 6,1	1.02	31.69
QR1112.M06-080-C	6	80	4130 Steel	5.96	5.92	6.99	11.9	5.8	7	30.7	19.3	46.7	6,0/ 6,1	1.02	31.69
QR1112.M06-090-C	6	90	4130 Steel	5.96	5.92	6.99	11.9	5.8	7	30.7	19.3	46.7	6,0/ 6,1	1.02	31.69
QR1112.M06-100-C	6	100	4130 Steel	5.96	5.92	6.99	11.9	5.8	7	30.7	19.3	46.7	6,0/ 6,1	1.02	31.69
QR1112.M08-010-C	8	10	4130 Steel	7.96	7.92	9.42	11.9	5.8	8	30.7	19.3	46.7	8,0/ 8,1	2.30	56.71
QR1112.M08-015-C	8	15	4130 Steel	7.96	7.92	9.42	11.9	5.8	8	30.7	19.3	46.7	8,0/ 8,1	2.30	56.71
QR1112.M08-020-C	8	20	4130 Steel	7.96	7.92	9.42	11.9	5.8	8	30.7	19.3	46.7	8,0/ 8,1	2.30	56.71
QR1112.M08-025-C	8	25	4130 Steel	7.96	7.92	9.42	11.9	5.8	8	30.7	19.3	46.7	8,0/ 8,1	2.30	56.71
QR1112.M08-030-C	8	30	4130 Steel	7.96	7.92	9.42	11.9	5.8	8	30.7	19.3	46.7	8,0/ 8,1	2.30	56.71
QR1112.M08-035-C	8	35	4130 Steel	7.96	7.92	9.42	11.9	5.8	8	30.7	19.3	46.7	8,0/ 8,1	2.30	56.71
QR1112.M08-040-C	8	40	4130 Steel	7.96	7.92	9.42	11.9	5.8	8	30.7	19.3	46.7	8,0/ 8,1	2.30	56.71
QR1112.M08-045-C	8	45	4130 Steel	7.96	7.92	9.42	11.9	5.8	8	30.7	19.3	46.7	8,0/ 8,1	2.30	56.71
QR1112.M08-050-C	8	50	4130 Steel	7.96	7.92	9.42	11.9	5.8	8	30.7	19.3	46.7	8,0/ 8,1	2.30	56.71
QR1112.M08-060-C	8	60	4130 Steel	7.96	7.92	9.42	11.9	5.8	8	30.7	19.3	46.7	8,0/ 8,1	2.30	56.71
QR1112.M08-070-C	8	70	4130 Steel	7.96	7.92	9.42	11.9	5.8	8	30.7	19.3	46.7	8,0/ 8,1	2.30	56.71
QR1112.M08-080-C	8	80	4130 Steel	7.96	7.92	9.42	11.9	5.8	8	30.7	19.3	46.7	8,0/ 8,1	2.30	56.71
QR1112.M08-090-C	8	90	4130 Steel	7.96	7.92	9.42	11.9	5.8	8	30.7	19.3	46.7	8,0/ 8,1	2.30	56.71
QR1112.M08-100-C	8	100	4130 Steel	7.96	7.92	9.42	11.9	5.8	8	30.7	19.3	46.7	8,0/ 8,1	2.30	56.71
QR1112.M10-015-C	10	15	4130 Steel	9.96	9.92	11.8 6	14.2	7.4	9	34.8	22.1	54.1	10,0/ 10,1	2.56	88.98
QR1112.M10-020-C	10	20	4130 Steel	9.96	9.92	11.8 6	14.2	7.4	9	34.8	22.1	54.1	10,0/ 10,1	2.56	88.98
QR1112.M10-025-C	10	25	4130 Steel	9.96	9.92	11.8 6	14.2	7.4	9	34.8	22.1	54.1	10,0/ 10,1	2.56	88.98
QR1112.M10-030-C	10	30	4130 Steel	9.96	9.92	11.8 6	14.2	7.4	9	34.8	22.1	54.1	10,0/ 10,1	2.56	88.98
QR1112.M10-035-C	10	35	4130 Steel	9.96	9.92	11.8 6	14.2	7.4	9	34.8	22.1	54.1	10,0/ 10,1	2.56	88.98



Quick Release Pins - Metric - L-handle steel pin

Quick Release Pins

Order No.	d ₁ nom. dia.	l ₁ grip +0.50 - 0.00	Material	d ₁ max.	d ₁ min.	d ₂ ±0.25	d ₃	d ₄	l ₂ ±1.00	l ₃	l ₄	l ₅	Loc'n hole min. max.	Pull out strength kN min.	Calc. double shear kN
QR1112.M10-040-C	10	40	4130 Steel	9.96	9.92	11.8 6	14.2	7.4	9	34.8	22.1	54.1	10,0/ 10,1	2.56	88.98
QR1112.M10-045-C	10	45	4130 Steel	9.96	9.92	11.8 6	14.2	7.4	9	34.8	22.1	54.1	10,0/ 10,1	2.56	88.98
QR1112.M10-050-C	10	50	4130 Steel	9.96	9.92	11.8 6	14.2	7.4	9	34.8	22.1	54.1	10,0/ 10,1	2.56	88.98
QR1112.M10-060-C	10	60	4130 Steel	9.96	9.92	11.8 6	14.2	7.4	9	34.8	22.1	54.1	10,0/ 10,1	2.56	88.98
QR1112.M10-070-C	10	70	4130 Steel	9.96	9.92	11.8 6	14.2	7.4	9	34.8	22.1	54.1	10,0/ 10,1	2.56	88.98
QR1112.M10-080-C	10	80	4130 Steel	9.96	9.92	11.8 6	14.2	7.4	9	34.8	22.1	54.1	10,0/ 10,1	2.56	88.98
QR1112.M10-090-C	10	90	4130 Steel	9.96	9.92	11.8 6	14.2	7.4	9	34.8	22.1	54.1	10,0/ 10,1	2.56	88.98
QR1112.M10-100-C	10	100	4130 Steel	9.96	9.92	11.8 6	14.2	7.4	9	34.8	22.1	54.1	10,0/ 10,1	2.56	88.98
QR1112.M12-020-C	12	20	4130 Steel	11.9 6	11.9 2	14.4 5	18.3	10.7	10	40.6	25.4	60.2	12,0/ 12,1	5.16	128.05
QR1112.M12-025-C	12	25	4130 Steel	11.9 6	11.9 2	14.4 5	18.3	10.7	10	40.6	25.4	60.2	12,0/ 12,1	5.16	128.05
QR1112.M12-030-C	12	30	4130 Steel	11.9 6	11.9 2	14.4 5	18.3	10.7	10	40.6	25.4	60.2	12,0/ 12,1	5.16	128.05
QR1112.M12-035-C	12	35	4130 Steel	11.9 6	11.9 2	14.4 5	18.3	10.7	10	40.6	25.4	60.2	12,0/ 12,1	5.16	128.05
QR1112.M12-040-C	12	40	4130 Steel	11.9 6	11.9 2	14.4 5	18.3	10.7	10	40.6	25.4	60.2	12,0/ 12,1	5.16	128.05
QR1112.M12-045-C	12	45	4130 Steel	11.9 6	11.9 2	14.4 5	18.3	10.7	10	40.6	25.4	60.2	12,0/ 12,1	5.16	128.05
QR1112.M12-050-C	12	50	4130 Steel	11.9 6	11.9 2	14.4 5	18.3	10.7	10	40.6	25.4	60.2	12,0/ 12,1	5.16	128.05
QR1112.M12-060-C	12	60	4130 Steel	11.9 6	11.9 2	14.4 5	18.3	10.7	10	40.6	25.4	60.2	12,0/ 12,1	5.16	128.05
QR1112.M12-070-C	12	70	4130 Steel	11.9 6	11.9 2	14.4 5	18.3	10.7	10	40.6	25.4	60.2	12,0/ 12,1	5.16	128.05
QR1112.M12-080-C	12	80	4130 Steel	11.9 6	11.9 2	14.4 5	18.3	10.7	10	40.6	25.4	60.2	12,0/ 12,1	5.16	128.05
QR1112.M12-090-C	12	90	4130 Steel	11.9 6	11.9 2	14.4 5	18.3	10.7	10	40.6	25.4	60.2	12,0/ 12,1	5.16	128.05
QR1112.M12-100-C	12	100	4130 Steel	11.9 6	11.9 2	14.4 5	18.3	10.7	10	40.6	25.4	60.2	12,0/ 12,1	5.16	128.05
QR1112.M16-025-C	16	25	4130 Steel	15.9 6	15.9 2	19.0 0	23.9	13.7	14	45.0	28.2	68.3	16,0/ 16,1	9.21	228.60
QR1112.M16-030-C	16	30	4130 Steel	15.9 6	15.9 2	19.0 0	23.9	13.7	14	45.0	28.2	68.3	16,0/ 16,1	9.21	228.60
QR1112.M16-035-C	16	35	4130 Steel	15.9 6	15.9 2	19.0 0	23.9	13.7	14	45.0	28.2	68.3	16,0/ 16,1	9.21	228.60
QR1112.M16-040-C	16	40	4130 Steel	15.9 6	15.9 2	19.0 0	23.9	13.7	14	45.0	28.2	68.3	16,0/ 16,1	9.21	228.60
QR1112.M16-045-C	16	45	4130 Steel	15.9 6	15.9 2	19.0 0	23.9	13.7	14	45.0	28.2	68.3	16,0/ 16,1	9.21	228.60
QR1112.M16-050-C	16	50	4130 Steel	15.9 6	15.9 2	19.0 0	23.9	13.7	14	45.0	28.2	68.3	16,0/ 16,1	9.21	228.60
QR1112.M16-060-C	16	60	4130 Steel	15.9 6	15.9 2	19.0 0	23.9	13.7	14	45.0	28.2	68.3	16,0/ 16,1	9.21	228.60
QR1112.M16-070-C	16	70	4130 Steel	15.9 6	15.9 2	19.0 0	23.9	13.7	14	45.0	28.2	68.3	16,0/ 16,1	9.21	228.60
QR1112.M16-080-C	16	80	4130 Steel	15.9 6	15.9 2	19.0 0	23.9	13.7	14	45.0	28.2	68.3	16,0/ 16,1	9.21	228.60
QR1112.M16-090-C	16	90	4130 Steel	15.9 6	15.9 2	19.0 0	23.9	13.7	14	45.0	28.2	68.3	16,0/ 16,1	9.21	228.60
QR1112.M16-100-C	16	100	4130 Steel	15.9 6	15.9 2	19.0 0	23.9	13.7	14	45.0	28.2	68.3	16,0/ 16,1	9.21	228.60

QUICK RELEASE PINS

Quick Release Pins

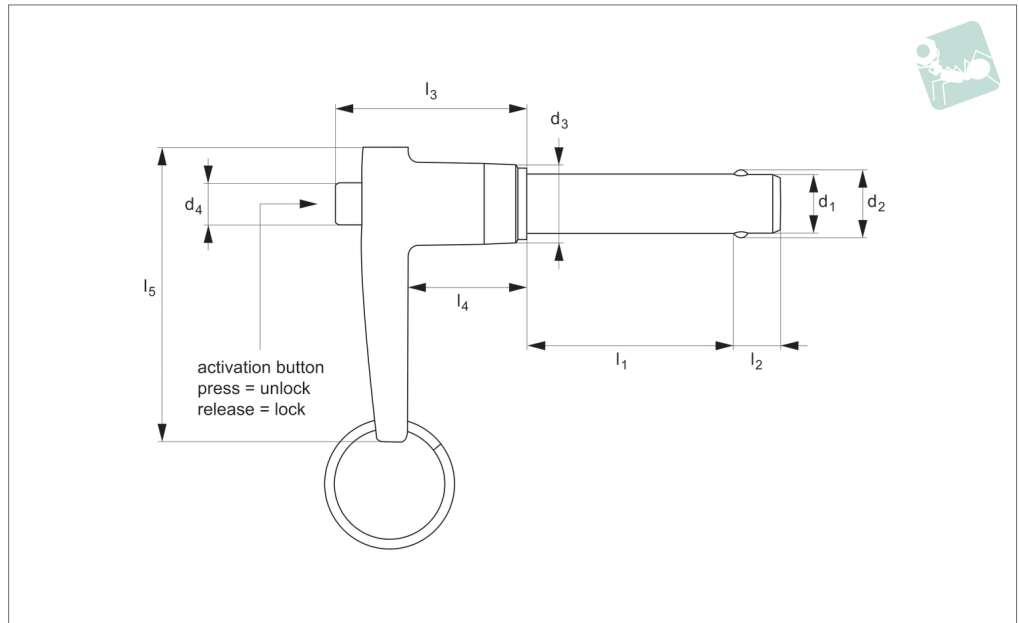
Quick Release Pins - Metric - L-handle precipitation hardened stainless pin



QUICK RELEASE PINS



QR1116



Material

Pin: stainless steel 17-4PH (DIN 1.4542, AISI 630), precipitation hardened, passivated. Tensile strength 1,300 N/mm² min. HRC 40. RoHS compliant.
 Handle: Alu. 380 die cast (DIN ALSi9Cu3), black anodised (RAL 9003).
 Actuator button: Alu. 2024-T4 (DIN AlCuMg2), anodised blue or clear.

Internal spindle, balls and split ring (supplied); from stainless steel.

Technical Notes

Pressing = unlocking.
 Releasing = locking.
 Temperature range -30°C to +150°C
Supplied with split ring.

Tips

For quick fastening and locking frequently repeated connections.
 For lanyards & retaining cables see part nos. L to LA1224. For easy install locating bushes and end caps see part nos. LA1260 to LA1355.

Order No.	d ₁ nom.	l ₁ grip +0.50 -0.00	Material	d ₁ max.	d ₁ min.	d ₂ ±0.25	d ₃	d ₄	l ₂ ±1.00	l ₃	l ₄	l ₅	Loc'n hole min. max.	Pull out strength kN min.	Calc. double shear kN
QR1116.M05-010-T	5	10	17-4 PH	4.96	4.92	5.54	11.9	5.8	6	30.7	19.3	46.7	5,0/5,1	0.89	24.4
QR1116.M05-015-T	5	15	17-4 PH	4.96	4.92	5.54	11.9	5.8	6	30.7	19.3	46.7	5,0/5,1	0.89	24.4
QR1116.M05-020-T	5	20	17-4 PH	4.96	4.92	5.54	11.9	5.8	6	30.7	19.3	46.7	5,0/5,1	0.89	24.4
QR1116.M05-025-T	5	25	17-4 PH	4.96	4.92	5.54	11.9	5.8	6	30.7	19.3	46.7	5,0/5,1	0.89	24.4
QR1116.M05-030-T	5	30	17-4 PH	4.96	4.92	5.54	11.9	5.8	6	30.7	19.3	46.7	5,0/5,1	0.89	24.4
QR1116.M05-035-T	5	35	17-4 PH	4.96	4.92	5.54	11.9	5.8	6	30.7	19.3	46.7	5,0/5,1	0.89	24.4
QR1116.M05-040-T	5	40	17-4 PH	4.96	4.92	5.54	11.9	5.8	6	30.7	19.3	46.7	5,0/5,1	0.89	24.4
QR1116.M05-045-T	5	45	17-4 PH	4.96	4.92	5.54	11.9	5.8	6	30.7	19.3	46.7	5,0/5,1	0.89	24.4
QR1116.M05-050-T	5	50	17-4 PH	4.96	4.92	5.54	11.9	5.8	6	30.7	19.3	46.7	5,0/5,1	0.89	24.4
QR1116.M05-060-T	5	60	17-4 PH	4.96	4.92	5.54	11.9	5.8	6	30.7	19.3	46.7	5,0/5,1	0.89	24.4
QR1116.M05-070-T	5	70	17-4 PH	4.96	4.92	5.54	11.9	5.8	6	30.7	19.3	46.7	5,0/5,1	0.89	24.4
QR1116.M05-080-T	5	80	17-4 PH	4.96	4.92	5.54	11.9	5.8	6	30.7	19.3	46.7	5,0/5,1	0.89	24.4
QR1116.M05-090-T	5	90	17-4 PH	4.96	4.92	5.54	11.9	5.8	6	30.7	19.3	46.7	5,0/5,1	0.89	24.4



Quick Release Pins - Metric - L-handle

precipitation hardened stainless pin

Quick Release Pins

Order No.	d ₁ nom.	l ₁ grip +0.50 - 0.00	Material	d ₁ max.	d ₁ min.	d ₂ ±0.25	d ₃	d ₄	l ₂ ±1.00	l ₃	l ₄	l ₅	Loc'n hole min. max.	Pull out strength kN min.	Calc. double shear kN
QR1116.M05-100-T	5	100	17-4 PH	4.96	4.92	5.54	11.9	5.8	6	30.7	19.3	46.7	5,0/5,1	0.89	24.4
QR1116.M06-010-T	6	10	17-4 PH	5.96	5.92	6.99	11.9	5.8	7	30.7	19.3	46.7	6,0/6,1	1.02	35.64
QR1116.M06-015-T	6	15	17-4 PH	5.96	5.92	6.99	11.9	5.8	7	30.7	19.3	46.7	6,0/6,1	1.02	35.64
QR1116.M06-020-T	6	20	17-4 PH	5.96	5.92	6.99	11.9	5.8	7	30.7	19.3	46.7	6,0/6,1	1.02	35.64
QR1116.M06-025-T	6	25	17-4 PH	5.96	5.92	6.99	11.9	5.8	7	30.7	19.3	46.7	6,0/6,1	1.02	35.64
QR1116.M06-030-T	6	30	17-4 PH	5.96	5.92	6.99	11.9	5.8	7	30.7	19.3	46.7	6,0/6,1	1.02	35.64
QR1116.M06-035-T	6	35	17-4 PH	5.96	5.92	6.99	11.9	5.8	7	30.7	19.3	46.7	6,0/6,1	1.02	35.64
QR1116.M06-040-T	6	40	17-4 PH	5.96	5.92	6.99	11.9	5.8	7	30.7	19.3	46.7	6,0/6,1	1.02	35.64
QR1116.M06-045-T	6	45	17-4 PH	5.96	5.92	6.99	11.9	5.8	7	30.7	19.3	46.7	6,0/6,1	1.02	35.64
QR1116.M06-050-T	6	50	17-4 PH	5.96	5.92	6.99	11.9	5.8	7	30.7	19.3	46.7	6,0/6,1	1.02	35.64
QR1116.M06-060-T	6	60	17-4 PH	5.96	5.92	6.99	11.9	5.8	7	30.7	19.3	46.7	6,0/6,1	1.02	35.64
QR1116.M06-070-T	6	70	17-4 PH	5.96	5.92	6.99	11.9	5.8	7	30.7	19.3	46.7	6,0/6,1	1.02	35.64
QR1116.M06-080-T	6	80	17-4 PH	5.96	5.92	6.99	11.9	5.8	7	30.7	19.3	46.7	6,0/6,1	1.02	35.64
QR1116.M06-090-T	6	90	17-4 PH	5.96	5.92	6.99	11.9	5.8	7	30.7	19.3	46.7	6,0/6,1	1.02	35.64
QR1116.M06-100-T	6	100	17-4 PH	5.96	5.92	6.99	11.9	5.8	7	30.7	19.3	46.7	6,0/6,1	1.02	35.64
QR1116.M08-010-T	8	10	17-4 PH	7.96	7.92	9.42	11.9	5.8	8	30.7	19.3	46.7	8,0/8,1	2.30	63.80
QR1116.M08-015-T	8	15	17-4 PH	7.96	7.92	9.42	11.9	5.8	8	30.7	19.3	46.7	8,0/8,1	2.30	63.80
QR1116.M08-020-T	8	20	17-4 PH	7.96	7.92	9.42	11.9	5.8	8	30.7	19.3	46.7	8,0/8,1	2.30	63.80
QR1116.M08-025-T	8	25	17-4 PH	7.96	7.92	9.42	11.9	5.8	8	30.7	19.3	46.7	8,0/8,1	2.30	63.80
QR1116.M08-030-T	8	30	17-4 PH	7.96	7.92	9.42	11.9	5.8	8	30.7	19.3	46.7	8,0/8,1	2.30	63.80
QR1116.M08-035-T	8	35	17-4 PH	7.96	7.92	9.42	11.9	5.8	8	30.7	19.3	46.7	8,0/8,1	2.30	63.80
QR1116.M08-040-T	8	40	17-4 PH	7.96	7.92	9.42	11.9	5.8	8	30.7	19.3	46.7	8,0/8,1	2.30	63.80
QR1116.M08-045-T	8	45	17-4 PH	7.96	7.92	9.42	11.9	5.8	8	30.7	19.3	46.7	8,0/8,1	2.30	63.80
QR1116.M08-050-T	8	50	17-4 PH	7.96	7.92	9.42	11.9	5.8	8	30.7	19.3	46.7	8,0/8,1	2.30	63.80
QR1116.M08-060-T	8	60	17-4 PH	7.96	7.92	9.42	11.9	5.8	8	30.7	19.3	46.7	8,0/8,1	2.30	63.80
QR1116.M08-070-T	8	70	17-4 PH	7.96	7.92	9.42	11.9	5.8	8	30.7	19.3	46.7	8,0/8,1	2.30	63.80
QR1116.M08-080-T	8	80	17-4 PH	7.96	7.92	9.42	11.9	5.8	8	30.7	19.3	46.7	8,0/8,1	2.30	63.80
QR1116.M08-090-T	8	90	17-4 PH	7.96	7.92	9.42	11.9	5.8	8	30.7	19.3	46.7	8,0/8,1	2.30	63.80
QR1116.M08-100-T	8	100	17-4 PH	7.96	7.92	9.42	11.9	5.8	8	30.7	19.3	46.7	8,0/8,1	2.30	63.80
QR1116.M10-015-T	10	15	17-4 PH	9.96	9.92	11.8 6	14.2	7.4	9	34.8	22.1	54.1	10,0/ 10,1	2.56	100.10
QR1116.M10-020-T	10	20	17-4 PH	9.96	9.92	11.8 6	14.2	7.4	9	34.8	22.1	54.1	10,0/ 10,1	2.56	100.10
QR1116.M10-025-T	10	25	17-4 PH	9.96	9.92	11.8 6	14.2	7.4	9	34.8	22.1	54.1	10,0/ 10,1	2.56	100.10
QR1116.M10-030-T	10	30	17-4 PH	9.96	9.92	11.8 6	14.2	7.4	9	34.8	22.1	54.1	10,0/ 10,1	2.56	100.10

QUICK RELEASE PINS

Quick Release Pins

Quick Release Pins - Metric - L-handle precipitation hardened stainless pin



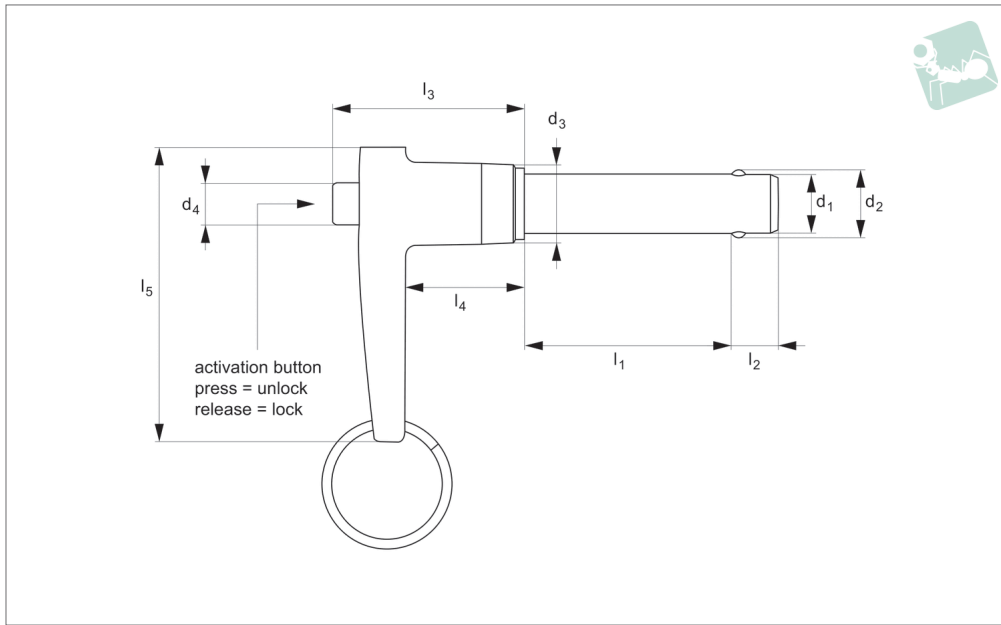
QUICK RELEASE PINS

Order No.	d ₁ nom.	l ₁ grip +0.50 - 0.00	Material	d ₁ max.	d ₁ min.	d ₂ ±0.25	d ₃	d ₄	l ₂ ±1.00	l ₃	l ₄	l ₅	Loc'n hole min. max.	Pull out strength kN min.	Calc. double shear kN
QR1116.M10-035-T	10	35	17-4 PH	9.96	9.92	11.8 6	14.2	7.4	9	34.8	22.1	54.1	10,0/ 10,1	2.56	100.10
QR1116.M10-040-T	10	40	17-4 PH	9.96	9.92	11.8 6	14.2	7.4	9	34.8	22.1	54.1	10,0/ 10,1	2.56	100.10
QR1116.M10-045-T	10	45	17-4 PH	9.96	9.92	11.8 6	14.2	7.4	9	34.8	22.1	54.1	10,0/ 10,1	2.56	100.10
QR1116.M10-050-T	10	50	17-4 PH	9.96	9.92	11.8 6	14.2	7.4	9	34.8	22.1	54.1	10,0/ 10,1	2.56	100.10
QR1116.M10-060-T	10	60	17-4 PH	9.96	9.92	11.8 6	14.2	7.4	9	34.8	22.1	54.1	10,0/ 10,1	2.56	100.10
QR1116.M10-070-T	10	70	17-4 PH	9.96	9.92	11.8 6	14.2	7.4	9	34.8	22.1	54.1	10,0/ 10,1	2.56	100.10
QR1116.M10-080-T	10	80	17-4 PH	9.96	9.92	11.8 6	14.2	7.4	9	34.8	22.1	54.1	10,0/ 10,1	2.56	100.10
QR1116.M10-090-T	10	90	17-4 PH	9.96	9.92	11.8 6	14.2	7.4	9	34.8	22.1	54.1	10,0/ 10,1	2.56	100.10
QR1116.M10-100-T	10	100	17-4 PH	9.96	9.92	11.8 6	14.2	7.4	9	34.8	22.1	54.1	10,0/ 10,1	2.56	100.10
QR1116.M12-020-T	12	20	17-4 PH	11.9 6	11.9 2	14.4 5	18.3	10.7	10	40.6	25.4	60.2	12,0/ 12,1	5.16	144.06
QR1116.M12-025-T	12	25	17-4 PH	11.9 6	11.9 2	14.4 5	18.3	10.7	10	40.6	25.4	60.2	12,0/ 12,1	5.16	144.06
QR1116.M12-030-T	12	30	17-4 PH	11.9 6	11.9 2	14.4 5	18.3	10.7	10	40.6	25.4	60.2	12,0/ 12,1	5.16	144.06
QR1116.M12-035-T	12	35	17-4 PH	11.9 6	11.9 2	14.4 5	18.3	10.7	10	40.6	25.4	60.2	12,0/ 12,1	5.16	144.06
QR1116.M12-040-T	12	40	17-4 PH	11.9 6	11.9 2	14.4 5	18.3	10.7	10	40.6	25.4	60.2	12,0/ 12,1	5.16	144.06
QR1116.M12-045-T	12	45	17-4 PH	11.9 6	11.9 2	14.4 5	18.3	10.7	10	40.6	25.4	60.2	12,0/ 12,1	5.16	144.06
QR1116.M12-050-T	12	50	17-4 PH	11.9 6	11.9 2	14.4 5	18.3	10.7	10	40.6	25.4	60.2	12,0/ 12,1	5.16	144.06
QR1116.M12-060-T	12	60	17-4 PH	11.9 6	11.9 2	14.4 5	18.3	10.7	10	40.6	25.4	60.2	12,0/ 12,1	5.16	144.06
QR1116.M12-070-T	12	70	17-4 PH	11.9 6	11.9 2	14.4 5	18.3	10.7	10	40.6	25.4	60.2	12,0/ 12,1	5.16	144.06
QR1116.M12-080-T	12	80	17-4 PH	11.9 6	11.9 2	14.4 5	18.3	10.7	10	40.6	25.4	60.2	12,0/ 12,1	5.16	144.06
QR1116.M12-090-T	12	90	17-4 PH	11.9 6	11.9 2	14.4 5	18.3	10.7	10	40.6	25.4	60.2	12,0/ 12,1	5.16	144.06
QR1116.M12-100-T	12	100	17-4 PH	11.9 6	11.9 2	14.4 5	18.3	10.7	10	40.6	25.4	60.2	12,0/ 12,1	5.16	144.06
QR1116.M16-025-T	16	25	17-4 PH	15.9 6	15.9 2	19.0 0	23.9	13.7	14	45.0	28.2	68.3	16,0/ 16,1	9.21	257.18
QR1116.M16-030-T	16	30	17-4 PH	15.9 6	15.9 2	19.0 0	23.9	13.7	14	45.0	28.2	68.3	16,0/ 16,1	9.21	257.18
QR1116.M16-035-T	16	35	17-4 PH	15.9 6	15.9 2	19.0 0	23.9	13.7	14	45.0	28.2	68.3	16,0/ 16,1	9.21	257.18
QR1116.M16-040-T	16	40	17-4 PH	15.9 6	15.9 2	19.0 0	23.9	13.7	14	45.0	28.2	68.3	16,0/ 16,1	9.21	257.18
QR1116.M16-045-T	16	45	17-4 PH	15.9 6	15.9 2	19.0 0	23.9	13.7	14	45.0	28.2	68.3	16,0/ 16,1	9.21	257.18
QR1116.M16-050-T	16	50	17-4 PH	15.9 6	15.9 2	19.0 0	23.9	13.7	14	45.0	28.2	68.3	16,0/ 16,1	9.21	257.18
QR1116.M16-060-T	16	60	17-4 PH	15.9 6	15.9 2	19.0 0	23.9	13.7	14	45.0	28.2	68.3	16,0/ 16,1	9.21	257.18
QR1116.M16-070-T	16	70	17-4 PH	15.9 6	15.9 2	19.0 0	23.9	13.7	14	45.0	28.2	68.3	16,0/ 16,1	9.21	257.18
QR1116.M16-080-T	16	80	17-4 PH	15.9 6	15.9 2	19.0 0	23.9	13.7	14	45.0	28.2	68.3	16,0/ 16,1	9.21	257.18
QR1116.M16-090-T	16	90	17-4 PH	15.9 6	15.9 2	19.0 0	23.9	13.7	14	45.0	28.2	68.3	16,0/ 16,1	9.21	257.18
QR1116.M16-100-T	16	100	17-4 PH	15.9 6	15.9 2	19.0 0	23.9	13.7	14	45.0	28.2	68.3	16,0/ 16,1	9.21	257.18



Quick Release Pins - Inch - L-handle steel pin

Quick Release Pins



QR1122

QUICK RELEASE PINS

Material

Pin: alloy steel, 4130 (DIN 1.7218), Cadmium plated. Tensile strength 1,100 N/mm² min. Non-RoHS compliant.
Handle: Alu. 380 die cast (DIN ALSi9Cu3), black anodised (RAL 9003).
Actuator button: Alu. 2024-T4 (DIN AlCuMg2), anodised blue or clear.

Internal spindle, balls and split ring (supplied); from stainless steel.

Technical Notes

Pressing = unlocking.
Releasing = locking.
Temperature range -30°C to +150°C
Supplied with split ring.

Tips

For quick fastening and locking frequently repeated connections.
For lanyards & retaining cables see part nos. L to LA1224. For easy install locating bushes and end caps see part nos. LA1260 to LA1355.

Order No.	d ₁ nom.	l ₁ grip +0.02 -0.00	Material	d ₁ max.	d ₁ min.	d ₂ ±0.0 05	d ₃	d ₄	l ₂ +0.000 -0.030	l ₃	l ₄	l ₅	Loc'n hole min. max.	Pull out strength lb min.	Calc. double shear lb
QR1122.I18-050-C	3/16	0.50	4130 Steel	,188 5	,187 0	0.22 0	0.47	0.23	0.260	1.21	0.76	1.84	,1900/ ,1940	200	4600
QR1122.I18-075-C	3/16	0.75	4130 Steel	,188 5	,187 0	0.22 0	0.47	0.23	0.260	1.21	0.76	1.84	,1900/ ,1940	200	4600
QR1122.I18-100-C	3/16	1.00	4130 Steel	,188 5	,187 0	0.22 0	0.47	0.23	0.260	1.21	0.76	1.84	,1900/ ,1940	200	4600
QR1122.I18-125-C	3/16	1.25	4130 Steel	,188 5	,187 0	0.22 0	0.47	0.23	0.260	1.21	0.76	1.84	,1900/ ,1940	200	4600
QR1122.I18-150-C	3/16	1.50	4130 Steel	,188 5	,187 0	0.22 0	0.47	0.23	0.260	1.21	0.76	1.84	,1900/ ,1940	200	4600
QR1122.I18-175-C	3/16	1.75	4130 Steel	,188 5	,187 0	0.22 0	0.47	0.23	0.260	1.21	0.76	1.84	,1900/ ,1940	200	4600
QR1122.I18-200-C	3/16	2.00	4130 Steel	,188 5	,187 0	0.22 0	0.47	0.23	0.260	1.21	0.76	1.84	,1900/ ,1940	200	4600
QR1122.I18-250-C	3/16	2.50	4130 Steel	,188 5	,187 0	0.22 0	0.47	0.23	0.260	1.21	0.76	1.84	,1900/ ,1940	200	4600
QR1122.I18-300-C	3/16	3.00	4130 Steel	,188 5	,187 0	0.22 0	0.47	0.23	0.260	1.21	0.76	1.84	,1900/ ,1940	200	4600
QR1122.I18-350-C	3/16	3.50	4130 Steel	,188 5	,187 0	0.22 0	0.47	0.23	0.260	1.21	0.76	1.84	,1900/ ,1940	200	4600
QR1122.I18-400-C	3/16	4.00	4130 Steel	,188 5	,187 0	0.22 0	0.47	0.23	0.260	1.21	0.76	1.84	,1900/ ,1940	200	4600
QR1122.I25-050-C	1/4	0.50	4130 Steel	,248 5	,247 0	0.28 9	0.47	0.23	0.290	1.21	0.76	1.84	,2500/ ,2540	230	8200
QR1122.I25-075-C	1/4	0.75	4130 Steel	,248 5	,247 0	0.28 9	0.47	0.23	0.290	1.21	0.76	1.84	,2500/ ,2540	230	8200
QR1122.I25-100-C	1/4	1.00	4130 Steel	,248 5	,247 0	0.28 9	0.47	0.23	0.290	1.21	0.76	1.84	,2500/ ,2540	230	8200

Quick Release Pins

Quick Release Pins - Inch - L-handle steel pin



QUICK RELEASE PINS

Order No.	d ₁ nom.	l ₁ grip +0.02 - -0.00	Material	d ₁ max.	d ₁ min.	d ₂ ±0.0 05	d ₃	d ₄	l ₂ +0.000 - -0.030	l ₃	l ₄	l ₅	Loc'n hole min. max.	Pull out strength lb min.	Calc. double shear lb
QR1122.I25-125-C	1/4	1.25	4130 Steel	,248 5	,247 0	0.28 9	0.47	0.23	0.290	1.21	0.76	1.84	,2500/ ,2540	230	8200
QR1122.I25-150-C	1/4	1.50	4130 Steel	,248 5	,247 0	0.28 9	0.47	0.23	0.290	1.21	0.76	1.84	,2500/ ,2540	230	8200
QR1122.I25-175-C	1/4	1.75	4130 Steel	,248 5	,247 0	0.28 9	0.47	0.23	0.290	1.21	0.76	1.84	,2500/ ,2540	230	8200
QR1122.I25-200-C	1/4	2.00	4130 Steel	,248 5	,247 0	0.28 9	0.47	0.23	0.290	1.21	0.76	1.84	,2500/ ,2540	230	8200
QR1122.I25-250-C	1/4	2.50	4130 Steel	,248 5	,247 0	0.28 9	0.47	0.23	0.290	1.21	0.76	1.84	,2500/ ,2540	230	8200
QR1122.I25-300-C	1/4	3.00	4130 Steel	,248 5	,247 0	0.28 9	0.47	0.23	0.290	1.21	0.76	1.84	,2500/ ,2540	230	8200
QR1122.I25-350-C	1/4	3.50	4130 Steel	,248 5	,247 0	0.28 9	0.47	0.23	0.290	1.21	0.76	1.84	,2500/ ,2540	230	8200
QR1122.I25-400-C	1/4	4.00	4130 Steel	,248 5	,247 0	0.28 9	0.47	0.23	0.290	1.21	0.76	1.84	,2500/ ,2540	230	8200
QR1122.I31-050-C	5/16	0.50	4130 Steel	,311 0	,309 5	0.37 5	0.47	0.23	0.330	1.21	0.76	1.84	,3125/ ,3165	510	12800
QR1122.I31-075-C	5/16	0.75	4130 Steel	,311 0	,309 5	0.37 5	0.47	0.23	0.330	1.21	0.76	1.84	,3125/ ,3165	510	12800
QR1122.I31-100-C	5/16	1.00	4130 Steel	,311 0	,309 5	0.37 5	0.47	0.23	0.330	1.21	0.76	1.84	,3125/ ,3165	510	12800
QR1122.I31-125-C	5/16	1.25	4130 Steel	,311 0	,309 5	0.37 5	0.47	0.23	0.330	1.21	0.76	1.84	,3125/ ,3165	510	12800
QR1122.I31-150-C	5/16	1.50	4130 Steel	,311 0	,309 5	0.37 5	0.47	0.23	0.330	1.21	0.76	1.84	,3125/ ,3165	510	12800
QR1122.I31-175-C	5/16	1.75	4130 Steel	,311 0	,309 5	0.37 5	0.47	0.23	0.330	1.21	0.76	1.84	,3125/ ,3165	510	12800
QR1122.I31-200-C	5/16	2.00	4130 Steel	,311 0	,309 5	0.37 5	0.47	0.23	0.330	1.21	0.76	1.84	,3125/ ,3165	510	12800
QR1122.I31-250-C	5/16	2.50	4130 Steel	,311 0	,309 5	0.37 5	0.47	0.23	0.330	1.21	0.76	1.84	,3125/ ,3165	510	12800
QR1122.I31-300-C	5/16	3.00	4130 Steel	,311 0	,309 5	0.37 5	0.47	0.23	0.330	1.21	0.76	1.84	,3125/ ,3165	510	12800
QR1122.I31-350-C	5/16	3.50	4130 Steel	,311 0	,309 5	0.37 5	0.47	0.23	0.330	1.21	0.76	1.84	,3125/ ,3165	510	12800
QR1122.I31-400-C	5/16	4.00	4130 Steel	,311 0	,309 5	0.37 5	0.47	0.23	0.330	1.21	0.76	1.84	,3125/ ,3165	510	12800
QR1122.I37-050-C	3/8	0.50	4130 Steel	,373 5	,372 0	0.44 0	0.56	0.29	0.365	1.37	0.87	2.13	,3750/ ,3790	575	18400
QR1122.I37-075-C	3/8	0.75	4130 Steel	,373 5	,372 0	0.44 0	0.56	0.29	0.365	1.37	0.87	2.13	,3750/ ,3790	575	18400
QR1122.I37-100-C	3/8	1.00	4130 Steel	,373 5	,372 0	0.44 0	0.56	0.29	0.365	1.37	0.87	2.13	,3750/ ,3790	575	18400
QR1122.I37-125-C	3/8	1.25	4130 Steel	,373 5	,372 0	0.44 0	0.56	0.29	0.365	1.37	0.87	2.13	,3750/ ,3790	575	18400
QR1122.I37-150-C	3/8	1.50	4130 Steel	,373 5	,372 0	0.44 0	0.56	0.29	0.365	1.37	0.87	2.13	,3750/ ,3790	575	18400
QR1122.I37-175-C	3/8	1.75	4130 Steel	,373 5	,372 0	0.44 0	0.56	0.29	0.365	1.37	0.87	2.13	,3750/ ,3790	575	18400
QR1122.I37-200-C	3/8	2.00	4130 Steel	,373 5	,372 0	0.44 0	0.56	0.29	0.365	1.37	0.87	2.13	,3750/ ,3790	575	18400
QR1122.I37-250-C	3/8	2.50	4130 Steel	,373 5	,372 0	0.44 0	0.56	0.29	0.365	1.37	0.87	2.13	,3750/ ,3790	575	18400
QR1122.I37-300-C	3/8	3.00	4130 Steel	,373 5	,372 0	0.44 0	0.56	0.29	0.365	1.37	0.87	2.13	,3750/ ,3790	575	18400
QR1122.I37-350-C	3/8	3.50	4130 Steel	,373 5	,372 0	0.44 0	0.56	0.29	0.365	1.37	0.87	2.13	,3750/ ,3790	575	18400
QR1122.I37-400-C	3/8	4.00	4130 Steel	,373 5	,372 0	0.44 0	0.56	0.29	0.365	1.37	0.87	2.13	,3750/ ,3790	575	18400
QR1122.I50-100-C	1/2	1.00	4130 Steel	,498 5	,497 0	0.59 4	0.72	0.42	0.460	1.60	1.00	2.37	,5000/ ,5050	1160	32800
QR1122.I50-125-C	1/2	1.25	4130 Steel	,498 5	,497 0	0.59 4	0.72	0.42	0.460	1.60	1.00	2.37	,5000/ ,5050	1160	32800
QR1122.I50-150-C	1/2	1.50	4130 Steel	,498 5	,497 0	0.59 4	0.72	0.42	0.460	1.60	1.00	2.37	,5000/ ,5050	1160	32800



Quick Release Pins - Inch - L-handle steel pin

Quick Release Pins

Order No.	d ₁ nom.	l ₁ grip +0.02 - -0.00	Material	d ₁ max.	d ₁ min.	d ₂ ±0.0 05	d ₃	d ₄	l ₂ +0.000 - 0.030	l ₃	l ₄	l ₅	Loc'n hole min. max.	Pull out strength lb min.	Calc. double shear lb
QR1122.I50-175-C	1/2	1.75	4130 Steel	,498 5	,497 0	0.59 4	0.72	0.42	0.460	1.60	1.00	2.37	,5000/ ,5050	1160	32800
QR1122.I50-200-C	1/2	2.00	4130 Steel	,498 5	,497 0	0.59 4	0.72	0.42	0.460	1.60	1.00	2.37	,5000/ ,5050	1160	32800
QR1122.I50-250-C	1/2	2.50	4130 Steel	,498 5	,497 0	0.59 4	0.72	0.42	0.460	1.60	1.00	2.37	,5000/ ,5050	1160	32800
QR1122.I50-300-C	1/2	3.00	4130 Steel	,498 5	,497 0	0.59 4	0.72	0.42	0.460	1.60	1.00	2.37	,5000/ ,5050	1160	32800
QR1122.I50-350-C	1/2	3.50	4130 Steel	,498 5	,497 0	0.59 4	0.72	0.42	0.460	1.60	1.00	2.37	,5000/ ,5050	1160	32800
QR1122.I50-400-C	1/2	4.00	4130 Steel	,498 5	,497 0	0.59 4	0.72	0.42	0.460	1.60	1.00	2.37	,5000/ ,5050	1160	32800
QR1122.I50-450-C	1/2	4.50	4130 Steel	,498 5	,497 0	0.59 4	0.72	0.42	0.460	1.60	1.00	2.37	,5000/ ,5050	1160	32800
QR1122.I50-500-C	1/2	5.00	4130 Steel	,498 5	,497 0	0.59 4	0.72	0.42	0.460	1.60	1.00	2.37	,5000/ ,5050	1160	32800
QR1122.I50-550-C	1/2	5.50	4130 Steel	,498 5	,497 0	0.59 4	0.72	0.42	0.460	1.60	1.00	2.37	,5000/ ,5050	1160	32800
QR1122.I50-600-C	1/2	6.00	4130 Steel	,498 5	,497 0	0.59 4	0.72	0.42	0.460	1.60	1.00	2.37	,5000/ ,5050	1160	32800
QR1122.I62-150-C	5/8	1.50	4130 Steel	,623 5	,623 5	0.75 0	0.94	0.54	0.580	1.77	1.11	2.69	,6250/ ,6300	2070	51200
QR1122.I62-175-C	5/8	1.75	4130 Steel	,623 5	,623 5	0.75 0	0.94	0.54	0.580	1.77	1.11	2.69	,6250/ ,6300	2070	51200
QR1122.I62-200-C	5/8	2.00	4130 Steel	,623 5	,623 5	0.75 0	0.94	0.54	0.580	1.77	1.11	2.69	,6250/ ,6300	2070	51200
QR1122.I62-250-C	5/8	2.50	4130 Steel	,623 5	,623 5	0.75 0	0.94	0.54	0.580	1.77	1.11	2.69	,6250/ ,6300	2070	51200
QR1122.I62-300-C	5/8	3.00	4130 Steel	,623 5	,623 5	0.75 0	0.94	0.54	0.580	1.77	1.11	2.69	,6250/ ,6300	2070	51200
QR1122.I62-350-C	5/8	3.50	4130 Steel	,623 5	,623 5	0.75 0	0.94	0.54	0.580	1.77	1.11	2.69	,6250/ ,6300	2070	51200
QR1122.I62-400-C	5/8	4.00	4130 Steel	,623 5	,623 5	0.75 0	0.94	0.54	0.580	1.77	1.11	2.69	,6250/ ,6300	2070	51200
QR1122.I62-450-C	5/8	4.50	4130 Steel	,623 5	,623 5	0.75 0	0.94	0.54	0.580	1.77	1.11	2.69	,6250/ ,6300	2070	51200
QR1122.I62-500-C	5/8	5.00	4130 Steel	,623 5	,623 5	0.75 0	0.94	0.54	0.580	1.77	1.11	2.69	,6250/ ,6300	2070	51200
QR1122.I62-550-C	5/8	5.50	4130 Steel	,623 5	,623 5	0.75 0	0.94	0.54	0.580	1.77	1.11	2.69	,6250/ ,6300	2070	51200
QR1122.I62-600-C	5/8	6.00	4130 Steel	,623 5	,623 5	0.75 0	0.94	0.54	0.580	1.77	1.11	2.69	,6250/ ,6300	2070	51200

QUICK RELEASE PINS

Quick Release Pins

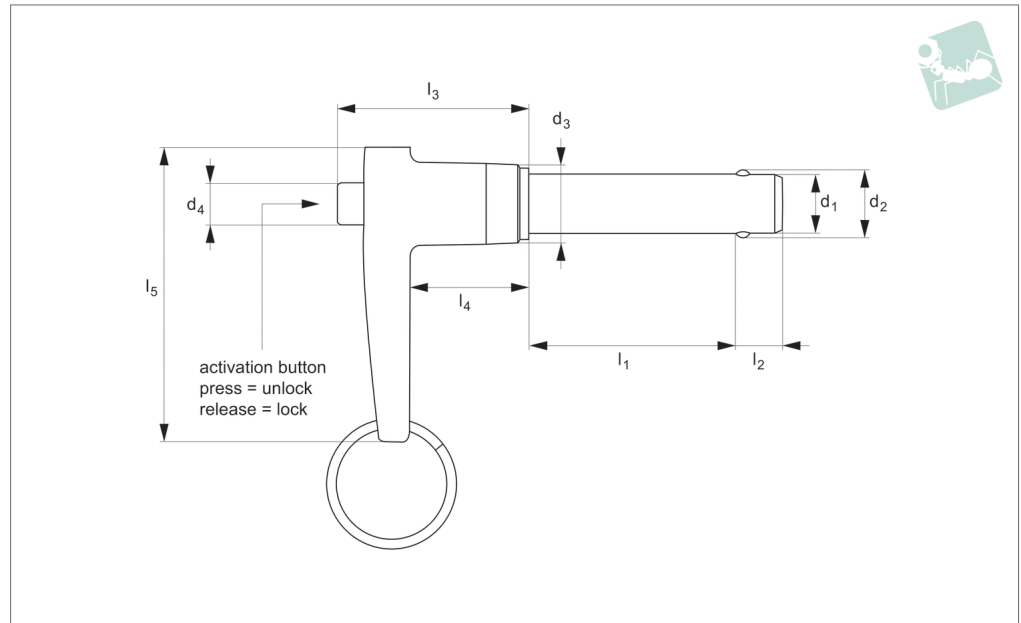
Quick Release Pins - Inch - L-handle stainless pin



QUICK RELEASE PINS



QR1124



Material

Pin: stainless steel, AISI 304 (DIN 1.4301) or AISI 303 (DIN 1.4305), passivated.
Tensile strength 500 N/mm² min. RoHS compliant.
Handle: Alu. 380 die cast (DIN ALSi9Cu3), black anodised (RAL 9003).
Actuator button: Alu. 2024-T4 (DIN AlCuMg2), anodised blue or clear.

Internal spindle, balls and split ring (supplied); from stainless steel.

Technical Notes

Pressing = unlocking.
Releasing = locking.
Temperature range -30°C to +150°C
Supplied with split ring.

Tips

For quick fastening and locking frequently repeated connections.
For lanyards & retaining cables see part nos. L to LA1224. For easy install locating bushes and end caps see part nos. LA1260 to LA1355.

Order No.	d ₁ nom.	l ₁ grip +0.02 - -0.00	Material	d ₁ max.	d ₁ min.	d ₂ ±0.0 05	d ₃	d ₄	l ₂ +0.000 - -0.030	l ₃	l ₄	l ₅	Loc'n hole min. max.	Pull out strength lb min.	Calc. double shear lb
QR1124.I25-050-S	1/4	0.50	304 SS	,248 5	,247 0	0.28 9	0.47	0.23	0.290	1.21	0.76	1.84	,2500/ ,2540	230	2200
QR1124.I25-075-S	1/4	0.75	304 SS	,248 5	,247 0	0.28 9	0.47	0.23	0.290	1.21	0.76	1.84	,2500/ ,2540	230	2200
QR1124.I25-100-S	1/4	1.00	304 SS	,248 5	,247 0	0.28 9	0.47	0.23	0.290	1.21	0.76	1.84	,2500/ ,2540	230	2200
QR1124.I25-125-S	1/4	1.25	304 SS	,248 5	,247 0	0.28 9	0.47	0.23	0.290	1.21	0.76	1.84	,2500/ ,2540	230	2200
QR1124.I25-150-S	1/4	1.50	304 SS	,248 5	,247 0	0.28 9	0.47	0.23	0.290	1.21	0.76	1.84	,2500/ ,2540	230	2200
QR1124.I25-175-S	1/4	1.75	304 SS	,248 5	,247 0	0.28 9	0.47	0.23	0.290	1.21	0.76	1.84	,2500/ ,2540	230	2200
QR1124.I25-200-S	1/4	2.00	304 SS	,248 5	,247 0	0.28 9	0.47	0.23	0.290	1.21	0.76	1.84	,2500/ ,2540	230	2200
QR1124.I25-250-S	1/4	2.50	304 SS	,248 5	,247 0	0.28 9	0.47	0.23	0.290	1.21	0.76	1.84	,2500/ ,2540	230	2200
QR1124.I25-300-S	1/4	3.00	304 SS	,248 5	,247 0	0.28 9	0.47	0.23	0.290	1.21	0.76	1.84	,2500/ ,2540	230	2200
QR1124.I25-350-S	1/4	3.50	304 SS	,248 5	,247 0	0.28 9	0.47	0.23	0.290	1.21	0.76	1.84	,2500/ ,2540	230	2200
QR1124.I25-400-S	1/4	4.00	304 SS	,248 5	,247 0	0.28 9	0.47	0.23	0.290	1.21	0.76	1.84	,2500/ ,2540	230	2200
QR1124.I31-050-S	5/16	0.50	304 SS	,311 0	,309 5	0.37 5	0.47	0.23	0.330	1.21	0.76	1.84	,3125/ ,3165	510	3500
QR1124.I31-075-S	5/16	0.75	304 SS	,311 0	,309 5	0.37 5	0.47	0.23	0.330	1.21	0.76	1.84	,3125/ ,3165	510	3500



Quick Release Pins - Inch - L-handle stainless pin

Quick Release Pins

Order No.	d ₁ nom.	l ₁ grip +0.02 - -0.00	Material	d ₁ max.	d ₁ min.	d ₂ ±0.0 05	d ₃	d ₄	l ₂ +0.000 - -0.030	l ₃	l ₄	l ₅	Loc'n hole min. max.	Pull out strength lb min.	Calc. double shear lb
QR1124.I31-100-S	5/16	1.00	304 SS	,311 0	,309 5	0.37 5	0.47	0.23	0.330	1.21	0.76	1.84	,3125/ ,3165	510	3500
QR1124.I31-125-S	5/16	1.25	304 SS	,311 0	,309 5	0.37 5	0.47	0.23	0.330	1.21	0.76	1.84	,3125/ ,3165	510	3500
QR1124.I31-150-S	5/16	1.50	304 SS	,311 0	,309 5	0.37 5	0.47	0.23	0.330	1.21	0.76	1.84	,3125/ ,3165	510	3500
QR1124.I31-175-S	5/16	1.75	304 SS	,311 0	,309 5	0.37 5	0.47	0.23	0.330	1.21	0.76	1.84	,3125/ ,3165	510	3500
QR1124.I31-200-S	5/16	2.00	304 SS	,311 0	,309 5	0.37 5	0.47	0.23	0.330	1.21	0.76	1.84	,3125/ ,3165	510	3500
QR1124.I31-250-S	5/16	2.50	304 SS	,311 0	,309 5	0.37 5	0.47	0.23	0.330	1.21	0.76	1.84	,3125/ ,3165	510	3500
QR1124.I31-300-S	5/16	3.00	304 SS	,311 0	,309 5	0.37 5	0.47	0.23	0.330	1.21	0.76	1.84	,3125/ ,3165	510	3500
QR1124.I31-350-S	5/16	3.50	304 SS	,311 0	,309 5	0.37 5	0.47	0.23	0.330	1.21	0.76	1.84	,3125/ ,3165	510	3500
QR1124.I31-400-S	5/16	4.00	304 SS	,311 0	,309 5	0.37 5	0.47	0.23	0.330	1.21	0.76	1.84	,3125/ ,3165	510	3500
QR1124.I37-050-S	3/8	0.50	304 SS	,373 5	,372 0	0.44 0	0.56	0.29	0.365	1.37	0.87	2.13	,3750/ ,3790	575	4500
QR1124.I37-075-S	3/8	0.75	304 SS	,373 5	,372 0	0.44 0	0.56	0.29	0.365	1.37	0.87	2.13	,3750/ ,3790	575	4500
QR1124.I37-100-S	3/8	1.00	304 SS	,373 5	,372 0	0.44 0	0.56	0.29	0.365	1.37	0.87	2.13	,3750/ ,3790	575	4500
QR1124.I37-125-S	3/8	1.25	304 SS	,373 5	,372 0	0.44 0	0.56	0.29	0.365	1.37	0.87	2.13	,3750/ ,3790	575	4500
QR1124.I37-150-S	3/8	1.50	304 SS	,373 5	,372 0	0.44 0	0.56	0.29	0.365	1.37	0.87	2.13	,3750/ ,3790	575	4500
QR1124.I37-175-S	3/8	1.75	304 SS	,373 5	,372 0	0.44 0	0.56	0.29	0.365	1.37	0.87	2.13	,3750/ ,3790	575	4500
QR1124.I37-200-S	3/8	2.00	304 SS	,373 5	,372 0	0.44 0	0.56	0.29	0.365	1.37	0.87	2.13	,3750/ ,3790	575	4500
QR1124.I37-250-S	3/8	2.50	304 SS	,373 5	,372 0	0.44 0	0.56	0.29	0.365	1.37	0.87	2.13	,3750/ ,3790	575	4500
QR1124.I37-300-S	3/8	3.00	304 SS	,373 5	,372 0	0.44 0	0.56	0.29	0.365	1.37	0.87	2.13	,3750/ ,3790	575	4500
QR1124.I37-350-S	3/8	3.50	304 SS	,373 5	,372 0	0.44 0	0.56	0.29	0.365	1.37	0.87	2.13	,3750/ ,3790	575	4500
QR1124.I37-400-S	3/8	4.00	304 SS	,373 5	,372 0	0.44 0	0.56	0.29	0.365	1.37	0.87	2.13	,3750/ ,3790	575	4500
QR1124.I50-100-S	1/2	1.00	304 SS	,498 5	,497 0	0.59 4	0.72	0.42	0.460	1.60	1.00	2.69	,5000/ ,5050	1160	11500
QR1124.I50-125-S	1/2	1.25	304 SS	,498 5	,497 0	0.59 4	0.72	0.42	0.460	1.60	1.00	2.69	,5000/ ,5050	1160	11500
QR1124.I50-150-S	1/2	1.50	304 SS	,498 5	,497 0	0.59 4	0.72	0.42	0.460	1.60	1.00	2.69	,5000/ ,5050	1160	11500
QR1124.I50-175-S	1/2	1.75	304 SS	,498 5	,497 0	0.59 4	0.72	0.42	0.460	1.60	1.00	2.69	,5000/ ,5050	1160	11500
QR1124.I50-200-S	1/2	2.00	304 SS	,498 5	,497 0	0.59 4	0.72	0.42	0.460	1.60	1.00	2.69	,5000/ ,5050	1160	11500
QR1124.I50-250-S	1/2	2.50	304 SS	,498 5	,497 0	0.59 4	0.72	0.42	0.460	1.60	1.00	2.69	,5000/ ,5050	1160	11500
QR1124.I50-300-S	1/2	3.00	304 SS	,498 5	,497 0	0.59 4	0.72	0.42	0.460	1.60	1.00	2.69	,5000/ ,5050	1160	11500
QR1124.I50-350-S	1/2	3.50	304 SS	,498 5	,497 0	0.59 4	0.72	0.42	0.460	1.60	1.00	2.69	,5000/ ,5050	1160	11500
QR1124.I50-400-S	1/2	4.00	304 SS	,498 5	,497 0	0.59 4	0.72	0.42	0.460	1.60	1.00	2.69	,5000/ ,5050	1160	11500
QR1124.I50-450-S	1/2	4.50	304 SS	,498 5	,497 0	0.59 4	0.72	0.42	0.460	1.60	1.00	2.69	,5000/ ,5050	1160	11500
QR1124.I50-500-S	1/2	5.00	304 SS	,498 5	,497 0	0.59 4	0.72	0.42	0.460	1.60	1.00	2.69	,5000/ ,5050	1160	11500
QR1124.I50-550-S	1/2	5.50	304 SS	,498 5	,497 0	0.59 4	0.72	0.42	0.460	1.60	1.00	2.69	,5000/ ,5050	1160	11500
QR1124.I50-600-S	1/2	6.00	304 SS	,498 5	,497 0	0.59 4	0.72	0.42	0.460	1.60	1.00	2.69	,5000/ ,5050	1160	11500

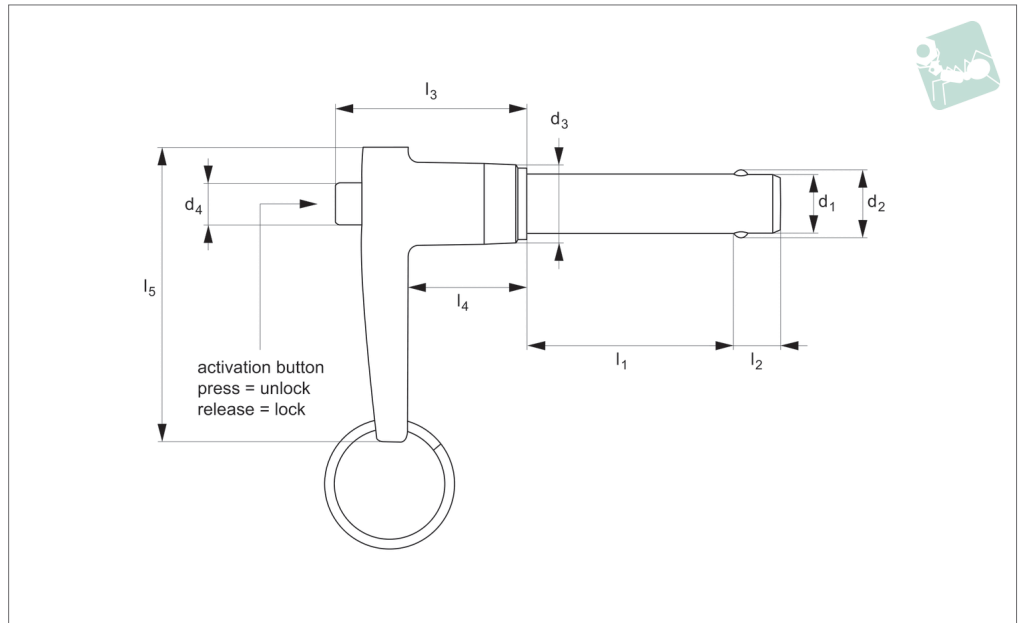
QUICK RELEASE PINS

Quick Release Pins

Quick Release Pins - Inch - L-handle precipitation hardened stainless pin



QR1126



QUICK RELEASE PINS

Material

Pin: stainless steel 17-4PH (DIN 1.4542, AISI 630), precipitation hardened, passivated. Tensile strength 1,300 N/mm² min. HRC 40. RoHS compliant.
Handle: Alu. 380 die cast (DIN ALSi9Cu3), black anodised (RAL 9003).
Actuator button: Alu. 2024-T4 (DIN AlCuMg2), anodised blue or clear.

Internal spindle, balls and split ring (supplied); from stainless steel.

Technical Notes

Pressing = unlocking.
Releasing = locking.
Temperature range -30°C to +150°C
Supplied with split ring.

Tips

For quick fastening and locking frequently repeated connections.
For lanyards & retaining cables see part nos. L to LA1224. For easy install locating bushes and end caps see part nos. LA1260 to LA1355.

Order No.	d ₁ nom.	l ₁ grip +0.02 -0.00	Material	d ₁ max.	d ₁ min.	d ₂ ±0.005	d ₃	d ₄	l ₂ +0.000 -0.030	l ₃	l ₄	l ₅	Loc'n hole min. max.	Pull out strength lb min.	Calc. double shear lb
QR1126.I18-050-T	3/16	0.50	17-4 PH	,1885	,1870	0.220	0.47	0.23	0.260	1.21	0.76	1.84	,1900/ ,1940	200	5150
QR1126.I18-075-T	3/16	0.75	17-4 PH	,1885	,1870	0.220	0.47	0.23	0.260	1.21	0.76	1.84	,1900/ ,1940	200	5150
QR1126.I18-100-T	3/16	1.00	17-4 PH	,1885	,1870	0.220	0.47	0.23	0.260	1.21	0.76	1.84	,1900/ ,1940	200	5150
QR1126.I18-125-T	3/16	1.25	17-4 PH	,1885	,1870	0.220	0.47	0.23	0.260	1.21	0.76	1.84	,1900/ ,1940	200	5150
QR1126.I18-150-T	3/16	1.50	17-4 PH	,1885	,1870	0.220	0.47	0.23	0.260	1.21	0.76	1.84	,1900/ ,1940	200	5150
QR1126.I18-175-T	3/16	1.75	17-4 PH	,1885	,1870	0.220	0.47	0.23	0.260	1.21	0.76	1.84	,1900/ ,1940	200	5150
QR1126.I18-200-T	3/16	2.00	17-4 PH	,1885	,1870	0.220	0.47	0.23	0.260	1.21	0.76	1.84	,1900/ ,1940	200	5150
QR1126.I18-250-T	3/16	2.50	17-4 PH	,1885	,1870	0.220	0.47	0.23	0.260	1.21	0.76	1.84	,1900/ ,1940	200	5150
QR1126.I18-300-T	3/16	3.00	17-4 PH	,1885	,1870	0.220	0.47	0.23	0.260	1.21	0.76	1.84	,1900/ ,1940	200	5150
QR1126.I18-350-T	3/16	3.50	17-4 PH	,1885	,1870	0.220	0.47	0.23	0.260	1.21	0.76	1.84	,1900/ ,1940	200	5150
QR1126.I18-400-T	3/16	4.00	17-4 PH	,1885	,1870	0.220	0.47	0.23	0.260	1.21	0.76	1.84	,1900/ ,1940	200	5150
QR1126.I25-050-T	1/4	0.50	17-4 PH	,2485	,2470	0.289	0.47	0.23	0.290	1.21	0.76	1.84	,2500/ ,2540	230	9200
QR1126.I25-075-T	1/4	0.75	17-4 PH	,2485	,2470	0.289	0.47	0.23	0.290	1.21	0.76	1.84	,2500/ ,2540	230	9200



Quick Release Pins - Inch - L-handle

precipitation hardened stainless pin

Quick Release Pins

Order No.	d ₁ nom.	l ₁ grip +0.02 - -0.00	Material	d ₁ max.	d ₁ min.	d ₂ ±0.0 05	d ₃	d ₄	l ₂ +0.000 - -0.030	l ₃	l ₄	l ₅	Loc'n hole min. max.	Pull out strength lb min.	Calc. double shear lb
QR1126.I25-100-T	1/4	1.00	17-4 PH	,248 5	,247 0	0.28 9	0.47	0.23	0.290	1.21	0.76	1.84	,2500/ ,2540	230	9200
QR1126.I25-125-T	1/4	1.25	17-4 PH	,248 5	,247 0	0.28 9	0.47	0.23	0.290	1.21	0.76	1.84	,2500/ ,2540	230	9200
QR1126.I25-150-T	1/4	1.50	17-4 PH	,248 5	,247 0	0.28 9	0.47	0.23	0.290	1.21	0.76	1.84	,2500/ ,2540	230	9200
QR1126.I25-175-T	1/4	1.75	17-4 PH	,248 5	,247 0	0.28 9	0.47	0.23	0.290	1.21	0.76	1.84	,2500/ ,2540	230	9200
QR1126.I25-200-T	1/4	2.00	17-4 PH	,248 5	,247 0	0.28 9	0.47	0.23	0.290	1.21	0.76	1.84	,2500/ ,2540	230	9200
QR1126.I25-250-T	1/4	2.50	17-4 PH	,248 5	,247 0	0.28 9	0.47	0.23	0.290	1.21	0.76	1.84	,2500/ ,2540	230	9200
QR1126.I25-300-T	1/4	3.00	17-4 PH	,248 5	,247 0	0.28 9	0.47	0.23	0.290	1.21	0.76	1.84	,2500/ ,2540	230	9200
QR1126.I25-350-T	1/4	3.50	17-4 PH	,248 5	,247 0	0.28 9	0.47	0.23	0.290	1.21	0.76	1.84	,2500/ ,2540	230	9200
QR1126.I25-400-T	1/4	4.00	17-4 PH	,248 5	,247 0	0.28 9	0.47	0.23	0.290	1.21	0.76	1.84	,2500/ ,2540	230	9200
QR1126.I31-050-T	5/16	0.50	17-4 PH	,311 0	,309 5	0.37 5	0.47	0.23	0.330	1.21	0.76	1.84	,3125/ ,3165	510	14400
QR1126.I31-075-T	5/16	0.75	17-4 PH	,311 0	,309 5	0.37 5	0.47	0.23	0.330	1.21	0.76	1.84	,3125/ ,3165	510	14400
QR1126.I31-100-T	5/16	1.00	17-4 PH	,311 0	,309 5	0.37 5	0.47	0.23	0.330	1.21	0.76	1.84	,3125/ ,3165	510	14400
QR1126.I31-125-T	5/16	1.25	17-4 PH	,311 0	,309 5	0.37 5	0.47	0.23	0.330	1.21	0.76	1.84	,3125/ ,3165	510	14400
QR1126.I31-150-T	5/16	1.50	17-4 PH	,311 0	,309 5	0.37 5	0.47	0.23	0.330	1.21	0.76	1.84	,3125/ ,3165	510	14400
QR1126.I31-175-T	5/16	1.75	17-4 PH	,311 0	,309 5	0.37 5	0.47	0.23	0.330	1.21	0.76	1.84	,3125/ ,3165	510	14400
QR1126.I31-200-T	5/16	2.00	17-4 PH	,311 0	,309 5	0.37 5	0.47	0.23	0.330	1.21	0.76	1.84	,3125/ ,3165	510	14400
QR1126.I31-250-T	5/16	2.50	17-4 PH	,311 0	,309 5	0.37 5	0.47	0.23	0.330	1.21	0.76	1.84	,3125/ ,3165	510	14400
QR1126.I31-300-T	5/16	3.00	17-4 PH	,311 0	,309 5	0.37 5	0.47	0.23	0.330	1.21	0.76	1.84	,3125/ ,3165	510	14400
QR1126.I31-350-T	5/16	3.50	17-4 PH	,311 0	,309 5	0.37 5	0.47	0.23	0.330	1.21	0.76	1.84	,3125/ ,3165	510	14400
QR1126.I31-400-T	5/16	4.00	17-4 PH	,311 0	,309 5	0.37 5	0.47	0.23	0.330	1.21	0.76	1.84	,3125/ ,3165	510	14400
QR1126.I37-050-T	3/8	0.50	17-4 PH	,373 5	,372 0	0.44 0	0.56	0.29	0.365	1.37	0.87	2.13	,3750/ ,3790	575	20600
QR1126.I37-075-T	3/8	0.75	17-4 PH	,373 5	,372 0	0.44 0	0.56	0.29	0.365	1.37	0.87	2.13	,3750/ ,3790	575	20600
QR1126.I37-100-T	3/8	1.00	17-4 PH	,373 5	,372 0	0.44 0	0.56	0.29	0.365	1.37	0.87	2.13	,3750/ ,3790	575	20600
QR1126.I37-125-T	3/8	1.25	17-4 PH	,373 5	,372 0	0.44 0	0.56	0.29	0.365	1.37	0.87	2.13	,3750/ ,3790	575	20600
QR1126.I37-150-T	3/8	1.50	17-4 PH	,373 5	,372 0	0.44 0	0.56	0.29	0.365	1.37	0.87	2.13	,3750/ ,3790	575	20600
QR1126.I37-175-T	3/8	1.75	17-4 PH	,373 5	,372 0	0.44 0	0.56	0.29	0.365	1.37	0.87	2.13	,3750/ ,3790	575	20600
QR1126.I37-200-T	3/8	2.00	17-4 PH	,373 5	,372 0	0.44 0	0.56	0.29	0.365	1.37	0.87	2.13	,3750/ ,3790	575	20600
QR1126.I37-250-T	3/8	2.50	17-4 PH	,373 5	,372 0	0.44 0	0.56	0.29	0.365	1.37	0.87	2.13	,3750/ ,3790	575	20600
QR1126.I37-300-T	3/8	3.00	17-4 PH	,373 5	,372 0	0.44 0	0.56	0.29	0.365	1.37	0.87	2.13	,3750/ ,3790	575	20600
QR1126.I37-350-T	3/8	3.50	17-4 PH	,373 5	,372 0	0.44 0	0.56	0.29	0.365	1.37	0.87	2.13	,3750/ ,3790	575	20600
QR1126.I37-400-T	3/8	4.00	17-4 PH	,373 5	,372 0	0.44 0	0.56	0.29	0.365	1.37	0.87	2.13	,3750/ ,3790	575	20600
QR1126.I50-100-T	1/2	1.00	17-4 PH	,498 5	,497 0	0.59 4	0.72	0.42	0.460	1.60	1.00	2.37	,5000/ ,5050	1160	36800
QR1126.I50-125-T	1/2	1.25	17-4 PH	,498 5	,497 0	0.59 4	0.72	0.42	0.460	1.60	1.00	2.37	,5000/ ,5050	1160	36800

QUICK RELEASE PINS

Quick Release Pins

Quick Release Pins - Inch - L-handle precipitation hardened stainless pin



QUICK RELEASE PINS

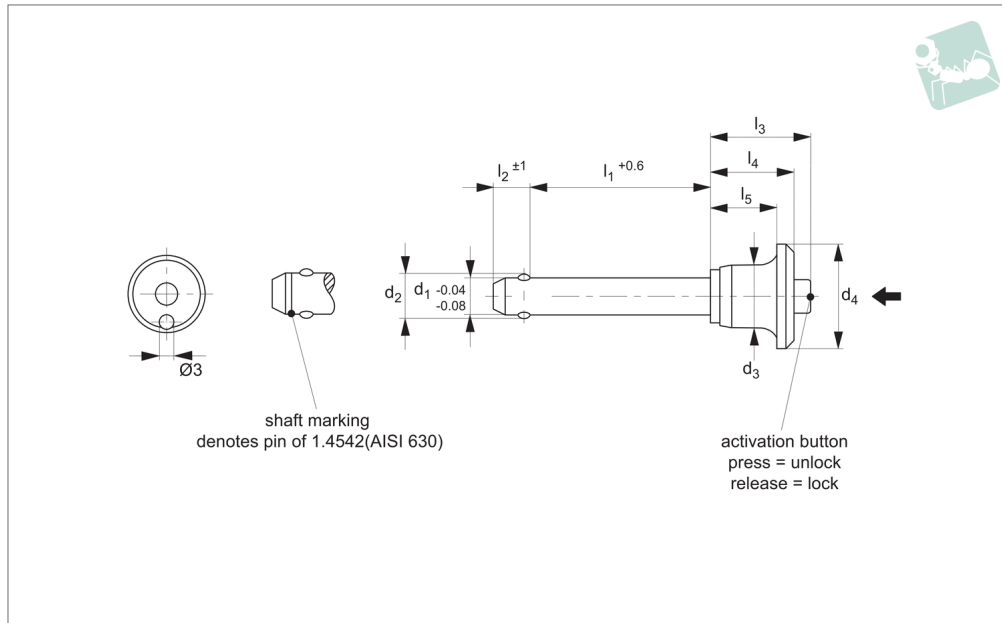
Order No.	d ₁ nom.	l ₁ grip +0.02 - -0.00	Material	d ₁ max.	d ₁ min.	d ₂ ±0.0 05	d ₃	d ₄	l ₂ +0.000 - -0.030	l ₃	l ₄	l ₅	Loc'n hole min. max.	Pull out strength lb min.	Calc. double shear lb
QR1126.I50-150-T	1/2	1.50	17-4 PH	,498 5	,497 0	0.59 4	0.72	0.42	0.460	1.60	1.00	2.37	,5000/ ,5050	1160	36800
QR1126.I50-175-T	1/2	1.75	17-4 PH	,498 5	,497 0	0.59 4	0.72	0.42	0.460	1.60	1.00	2.37	,5000/ ,5050	1160	36800
QR1126.I50-200-T	1/2	2.00	17-4 PH	,498 5	,497 0	0.59 4	0.72	0.42	0.460	1.60	1.00	2.37	,5000/ ,5050	1160	36800
QR1126.I50-250-T	1/2	2.50	17-4 PH	,498 5	,497 0	0.59 4	0.72	0.42	0.460	1.60	1.00	2.37	,5000/ ,5050	1160	36800
QR1126.I50-300-T	1/2	3.00	17-4 PH	,498 5	,497 0	0.59 4	0.72	0.42	0.460	1.60	1.00	2.37	,5000/ ,5050	1160	36800
QR1126.I50-350-T	1/2	3.50	17-4 PH	,498 5	,497 0	0.59 4	0.72	0.42	0.460	1.60	1.00	2.37	,5000/ ,5050	1160	36800
QR1126.I50-400-T	1/2	4.00	17-4 PH	,498 5	,497 0	0.59 4	0.72	0.42	0.460	1.60	1.00	2.37	,5000/ ,5050	1160	36800
QR1126.I50-450-T	1/2	4.50	17-4 PH	,498 5	,497 0	0.59 4	0.72	0.42	0.460	1.60	1.00	2.37	,5000/ ,5050	1160	36800
QR1126.I50-500-T	1/2	5.00	17-4 PH	,498 5	,497 0	0.59 4	0.72	0.42	0.460	1.60	1.00	2.37	,5000/ ,5050	1160	36800
QR1126.I50-550-T	1/2	5.50	17-4 PH	,498 5	,497 0	0.59 4	0.72	0.42	0.460	1.60	1.00	2.37	,5000/ ,5050	1160	36800
QR1126.I50-600-T	1/2	6.00	17-4 PH	,498 5	,497 0	0.59 4	0.72	0.42	0.460	1.60	1.00	2.37	,5000/ ,5050	1160	36800
QR1126.I62-150-T	5/8	1.50	17-4 PH	,623 5	,622 0	0.75 0	0.94	0.54	0.580	1.77	1.11	2.69	,6250/ ,6300	2070	57500
QR1126.I62-175-T	5/8	1.75	17-4 PH	,623 5	,622 0	0.75 0	0.94	0.54	0.580	1.77	1.11	2.69	,6250/ ,6300	2070	57500
QR1126.I62-200-T	5/8	2.00	17-4 PH	,623 5	,622 0	0.75 0	0.94	0.54	0.580	1.77	1.11	2.69	,6250/ ,6300	2070	57500
QR1126.I62-250-T	5/8	2.50	17-4 PH	,623 5	,622 0	0.75 0	0.94	0.54	0.580	1.77	1.11	2.69	,6250/ ,6300	2070	57500
QR1126.I62-300-T	5/8	3.00	17-4 PH	,623 5	,622 0	0.75 0	0.94	0.54	0.580	1.77	1.11	2.69	,6250/ ,6300	2070	57500
QR1126.I62-350-T	5/8	3.50	17-4 PH	,623 5	,622 0	0.75 0	0.94	0.54	0.580	1.77	1.11	2.69	,6250/ ,6300	2070	57500
QR1126.I62-400-T	5/8	4.00	17-4 PH	,623 5	,622 0	0.75 0	0.94	0.54	0.580	1.77	1.11	2.69	,6250/ ,6300	2070	57500
QR1126.I62-450-T	5/8	4.50	17-4 PH	,623 5	,622 0	0.75 0	0.94	0.54	0.580	1.77	1.11	2.69	,6250/ ,6300	2070	57500
QR1126.I62-500-T	5/8	5.00	17-4 PH	,623 5	,622 0	0.75 0	0.94	0.54	0.580	1.77	1.11	2.69	,6250/ ,6300	2070	57500
QR1126.I62-550-T	5/8	5.50	17-4 PH	,623 5	,622 0	0.75 0	0.94	0.54	0.580	1.77	1.11	2.69	,6250/ ,6300	2070	57500
QR1126.I62-600-T	5/8	6.00	17-4 PH	,623 5	,622 0	0.75 0	0.94	0.54	0.580	1.77	1.11	2.69	,6250/ ,6300	2070	57500



Ball Lock Pins - Mushroom Handle

single acting - self-locking - stainless 1.4305

Quick Release Pins



QR1204

QUICK RELEASE PINS

Material

Pin: Stainless steel 1.4305 (AISI 303).
 Ball: stainless steel 1.3541
 Spring: stainless steel.
 Handle: aluminium, black (RAL9003).

Releasing = locking.

Temperature resistance -30°C to +150°C
 For quick fastening and locking of frequently repeated connections.

available see part no. LA1310.

Important Notes

*Shearing resistance similar to DIN 50141.

Technical Notes

Pressing = unlocking.

Tips

For lanyards & retaining cables see part no. LA1066. Easy install locating bushes

Order No.	Stainless type	d ₁	d ₂	d ₃	d ₄	l ₁	l ₂	l ₃	l ₄	l ₅	Location hole tol. H11	Shearing resistance, double min. kN	Weight g
QR1204.M05-010-S	Stainless 1.4305	5	5.5	11.3	20	10	6.0	20.7	17.6	14.6	5	14	12
QR1204.M05-015-S	Stainless 1.4305	5	5.5	11.3	20	15	6.0	20.7	17.6	14.6	5	14	12
QR1204.M05-020-S	Stainless 1.4305	5	5.5	11.3	20	20	6.0	20.7	17.6	14.6	5	14	13
QR1204.M05-025-S	Stainless 1.4305	5	5.5	11.3	20	25	6.0	20.7	17.6	14.6	5	14	14
QR1204.M05-030-S	Stainless 1.4305	5	5.5	11.3	20	30	6.0	20.7	17.6	14.6	5	14	15
QR1204.M06-010-S	Stainless 1.4305	6	7.0	11.3	20	10	7.0	20.7	17.6	14.6	6	21	13
QR1204.M06-015-S	Stainless 1.4305	6	7.0	11.3	20	15	7.0	20.7	17.6	14.6	6	21	14
QR1204.M06-020-S	Stainless 1.4305	6	7.0	11.3	20	20	7.0	20.7	17.6	14.6	6	21	15
QR1204.M06-025-S	Stainless 1.4305	6	7.0	11.3	20	25	7.0	20.7	17.6	14.6	6	21	16
QR1204.M06-030-S	Stainless 1.4305	6	7.0	11.3	20	30	7.0	20.7	17.6	14.6	6	21	17
QR1204.M06-035-S	Stainless 1.4305	6	7.0	11.3	20	35	7.0	20.7	17.6	14.6	6	21	18
QR1204.M06-040-S	Stainless 1.4305	6	7.0	11.3	20	40	7.0	20.7	17.6	14.6	6	21	19
QR1204.M06-045-S	Stainless 1.4305	6	7.0	11.3	20	45	7.0	20.7	17.6	14.6	6	21	20
QR1204.M06-050-S	Stainless 1.4305	6	7.0	11.3	20	50	7.0	20.7	17.6	14.6	6	21	21



Order No.	Stainless type	d ₁	d ₂	d ₃	d ₄	l ₁	l ₂	l ₃	l ₄	l ₅	Location hole tol. H11	Shearing resistance, double min. kN	Weight g
QR1204.M08-020-S	Stainless 1.4305	8	9.5	14.1	25	20	8.2	27.3	22.6	18.6	8	38	28
QR1204.M08-025-S	Stainless 1.4305	8	9.5	14.1	25	25	8.2	27.3	22.6	18.6	8	38	30
QR1204.M08-030-S	Stainless 1.4305	8	9.5	14.1	25	30	8.2	27.3	22.6	18.6	8	38	32
QR1204.M08-035-S	Stainless 1.4305	8	9.5	14.1	25	35	8.2	27.3	22.6	18.6	8	38	34
QR1204.M08-040-S	Stainless 1.4305	8	9.5	14.1	25	40	8.2	27.3	22.6	18.6	8	38	36
QR1204.M08-045-S	Stainless 1.4305	8	9.5	14.1	25	45	8.2	27.3	22.6	18.6	8	38	38
QR1204.M08-050-S	Stainless 1.4305	8	9.5	14.1	25	50	8.2	27.3	22.6	18.6	8	38	40
QR1204.M10-020-S	Stainless 1.4305	10	12.0	14.1	25	20	9.6	27.3	22.6	18.6	10	60	35
QR1204.M10-025-S	Stainless 1.4305	10	12.0	14.1	25	25	9.6	27.3	22.6	18.6	10	60	38
QR1204.M10-030-S	Stainless 1.4305	10	12.0	14.1	25	30	9.6	27.3	22.6	18.6	10	60	40
QR1204.M10-035-S	Stainless 1.4305	10	12.0	14.1	25	35	9.6	27.3	22.6	18.6	10	60	44
QR1204.M10-040-S	Stainless 1.4305	10	12.0	14.1	25	40	9.6	27.3	22.6	18.6	10	60	47
QR1204.M10-045-S	Stainless 1.4305	10	12.0	14.1	25	45	9.6	27.3	22.6	18.6	10	60	50
QR1204.M10-050-S	Stainless 1.4305	10	12.0	14.1	25	50	9.6	27.3	22.6	18.6	10	60	53
QR1204.M10-060-S	Stainless 1.4305	10	12.0	14.1	25	60	9.6	27.3	22.6	18.6	10	60	59
QR1204.M12-025-S	Stainless 1.4305	12	14.5	17.7	35	25	10.6	33.2	27.3	22.3	12	87	69
QR1204.M12-030-S	Stainless 1.4305	12	14.5	17.7	35	30	10.6	33.2	27.3	22.3	12	87	73
QR1204.M12-035-S	Stainless 1.4305	12	14.5	17.7	35	35	10.6	33.2	27.3	22.3	12	87	78
QR1204.M12-040-S	Stainless 1.4305	12	14.5	17.7	35	40	10.6	33.2	27.3	22.3	12	87	82
QR1204.M12-045-S	Stainless 1.4305	12	14.5	17.7	35	45	10.6	33.2	27.3	22.3	12	87	86
QR1204.M12-050-S	Stainless 1.4305	12	14.5	17.7	35	50	10.6	33.2	27.3	22.3	12	87	90
QR1204.M12-060-S	Stainless 1.4305	12	14.5	17.7	35	60	10.6	33.2	27.3	22.3	12	87	99
QR1204.M12-070-S	Stainless 1.4305	12	14.5	17.7	35	70	10.6	33.2	27.3	22.3	12	87	108





Ball Lock Pins - Mushroom Handle

single acting - self-locking - stainless 1.4305

Quick Release Pins

Order No.	Stainless type	d ₁	d ₂	d ₃	d ₄	l ₁	l ₂	l ₃	l ₄	l ₅	Location hole tol. H11	Shearing resistance, double kN min.	Weight g
QR1204.M12-080-S	Stainless 1.4305	12	14.5	17.7	35	80	10.6	33.2	27.3	22.3	12	87	116



QUICK RELEASE PINS