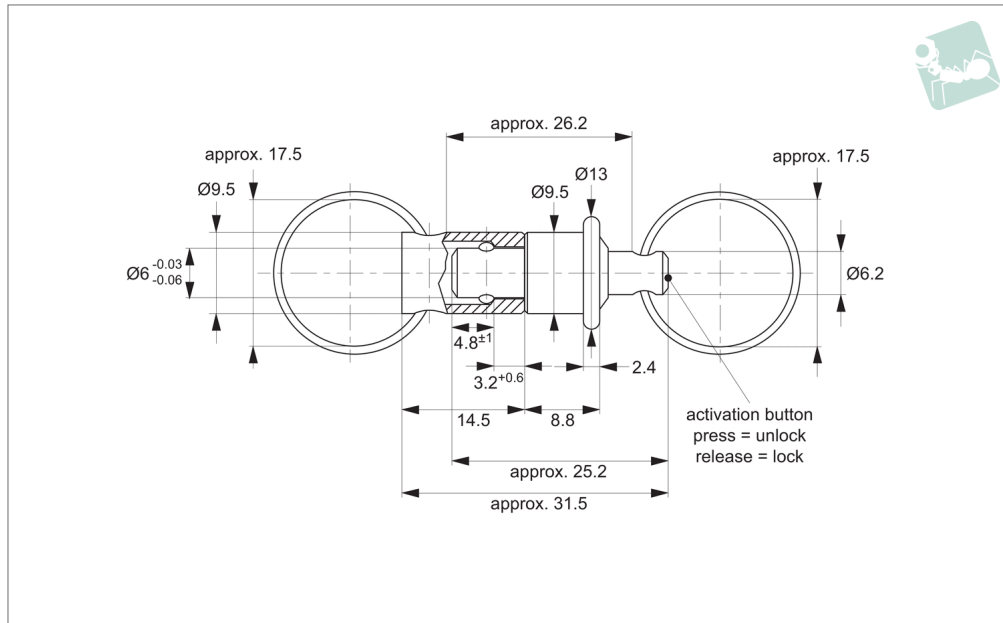




# Ball Lock Pins - Single Acting - Key self-locking

## Quick Release Pins



### QR1820

QUICK RELEASE PINS

#### Material

Pin & Bush: stainless steel 1.4305 (AISI 303).  
 Ball: stainless steel 1.3541  
 Ring & Spring: stainless steel.

#### Technical Notes

Pressing = unlocking  
 Releasing = locking.  
 Temperature resistance up to max. 250 °C.

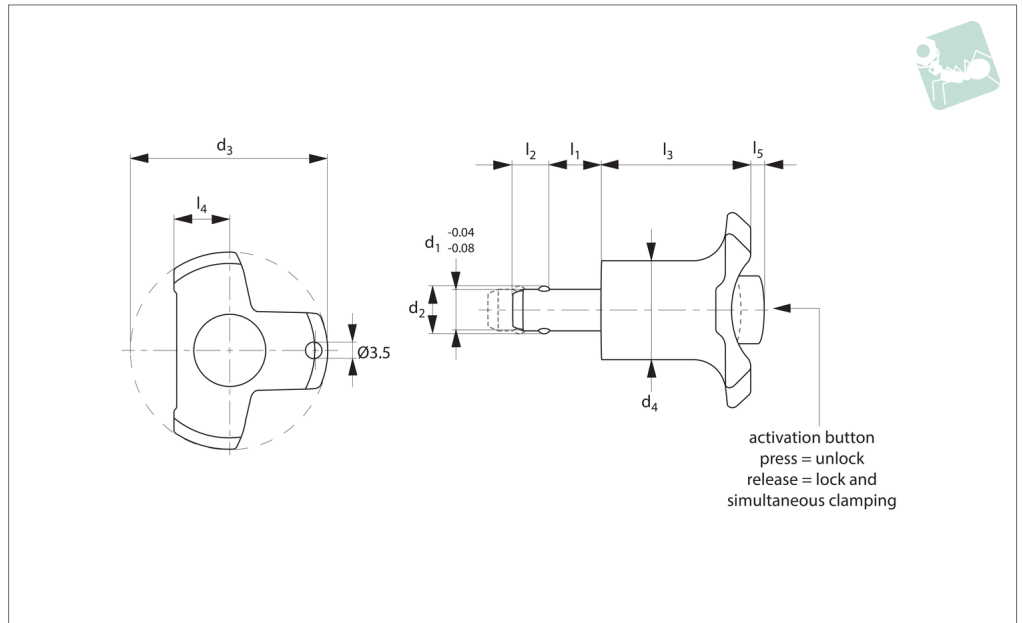
#### Tips

For lanyards & retaining cables see part no. LA1066.

Order No.	Load capacity N max.	Weight g
QR1820.M06-026-S	30	15



**QR1830**



**Material**

Pin: stainless steel 1,4305 (AISI 303).  
 Handle: thermoplastic PA 6, grey.  
 Spring: stainless steel.

**Technical Notes**

Pressing = unlocking & fixing.

Releasing = locking and simultaneous clamping.  
 Temperature resistance: -30°C to +80°C.  
 Locks and simultaneously clamps thin walled plates, with clamping distance of up to 5mm. Applications in welding work,

protection of covers and to close doors.

**Tips**

For lanyards & retaining cables see part no. LA1066.

