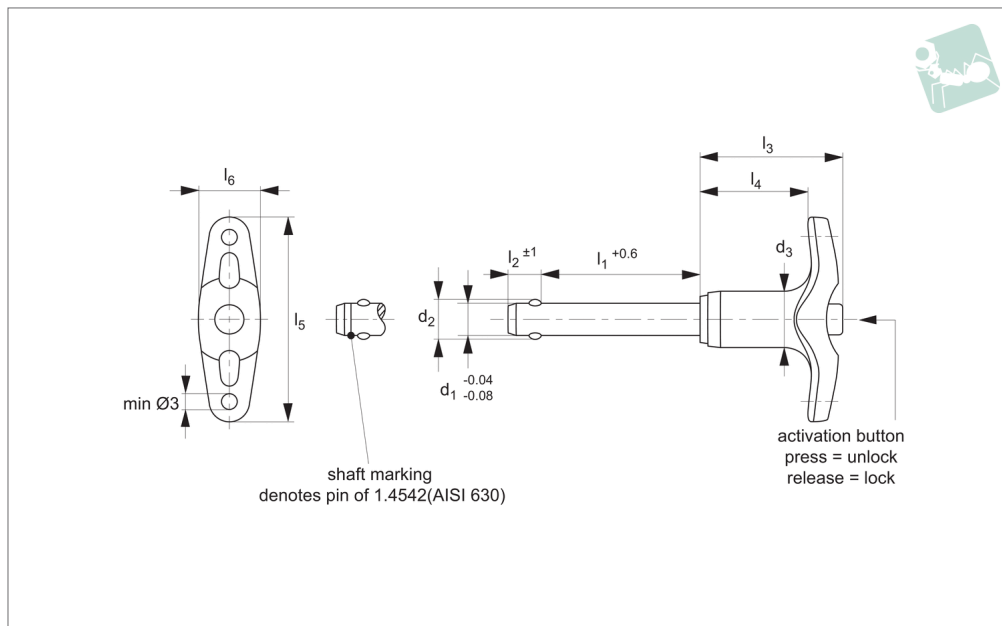




# Ball Lock Pins - Single Acting - T- self-locking - stainless 1.4305

## Quick Release Pins



### QR1004

QUICK RELEASE PINS

#### Material

Pin: stainless steel 1.4305 (AISI 303).  
Ball: stainless steel 1.3541  
Handle: aluminium, black (similar to RAL 9005)  
Spring: stainless Steel.

#### Technical Notes

Pressing = unlocking.

Releasing = locking.

Temperature range -30°C to +150°C.

For quick fastening and locking frequently repeated connections.

#### Tips

For lanyards & retaining cables see part no. LA1066-LA1092. Easy install locating bushes available see part no. LA1310 + .

#### Important Notes

\*Shearing resistance similar to DIN 50141.

Order No.	Material	d <sub>1</sub>	l <sub>1</sub>	d <sub>2</sub>	d <sub>3</sub>	l <sub>2</sub>	l <sub>3</sub>	l <sub>4</sub>	l <sub>5</sub>	l <sub>6</sub>	Location hole dia. tol. H11	Shearing resistance, double kN min.	Weight g
QR1004.M05-010-S	Stainless 1.4305	5	10	5,5	11,8	6,0	31,6	24,1	45,2	12,7	5	14	19
QR1004.M05-015-S	Stainless 1.4305	5	15	5,5	11,8	6,0	31,6	24,1	45,2	12,7	5	14	20
QR1004.M05-020-S	Stainless 1.4305	5	20	5,5	11,8	6,0	31,6	24,1	45,2	12,7	5	14	20
QR1004.M05-025-S	Stainless 1.4305	5	25	5,5	11,8	6,0	31,6	24,1	45,2	12,7	5	14	21
QR1004.M05-030-S	Stainless 1.4305	5	30	5,5	11,8	6,0	31,6	24,1	45,2	12,7	5	14	22
QR1004.M06-010-S	Stainless 1.4305	6	10	7,0	11,8	7,0	31,6	24,1	45,2	12,7	6	21	20
QR1004.M06-015-S	Stainless 1.4305	6	15	7,0	11,8	7,0	31,6	24,1	45,2	12,7	6	21	21
QR1004.M06-020-S	Stainless 1.4305	6	20	7,0	11,8	7,0	31,6	24,1	45,2	12,7	6	21	22
QR1004.M06-025-S	Stainless 1.4305	6	25	7,0	11,8	7,0	31,6	24,1	45,2	12,7	6	21	23
QR1004.M06-030-S	Stainless 1.4305	6	30	7,0	11,8	7,0	31,6	24,1	45,2	12,7	6	21	24
QR1004.M06-035-S	Stainless 1.4305	6	35	7,0	11,8	7,0	31,6	24,1	45,2	12,7	6	21	25
QR1004.M06-040-S	Stainless 1.4305	6	40	7,0	11,8	7,0	31,6	24,1	45,2	12,7	6	21	26
QR1004.M06-045-S	Stainless 1.4305	6	45	7,0	11,8	7,0	31,6	24,1	45,2	12,7	6	21	27
QR1004.M06-050-S	Stainless 1.4305	6	50	7,0	11,8	7,0	31,6	24,1	45,2	12,7	6	21	28
QR1004.M08-020-S	Stainless 1.4305	8	20	9,5	14,7	8,2	35,8	26,9	51,5	15,8	8	38	37
QR1004.M08-025-S	Stainless 1.4305	8	25	9,5	14,7	8,2	35,8	26,9	51,5	15,8	8	38	39
QR1004.M08-030-S	Stainless 1.4305	8	30	9,5	14,7	8,2	35,8	26,9	51,5	15,8	8	38	41
QR1004.M08-035-S	Stainless 1.4305	8	35	9,5	14,7	8,2	35,8	26,9	51,5	15,8	8	38	43
QR1004.M08-040-S	Stainless 1.4305	8	40	9,5	14,7	8,2	35,8	26,9	51,5	15,8	8	38	44
QR1004.M08-045-S	Stainless 1.4305	8	45	9,5	14,7	8,2	35,8	26,9	51,5	15,8	8	38	46
QR1004.M08-050-S	Stainless 1.4305	8	50	9,5	14,7	8,2	35,8	26,9	51,5	15,8	8	38	48
QR1004.M10-020-S	Stainless 1.4305	10	20	12,0	14,7	9,6	35,8	26,9	51,5	15,8	10	60	44
QR1004.M10-025-S	Stainless 1.4305	10	25	12,0	14,7	9,6	35,8	26,9	51,5	15,8	10	60	47
QR1004.M10-030-S	Stainless 1.4305	10	30	12,0	14,7	9,6	35,8	26,9	51,5	15,8	10	60	49
QR1004.M10-035-S	Stainless 1.4305	10	35	12,0	14,7	9,6	35,8	26,9	51,5	15,8	10	60	52
QR1004.M10-040-S	Stainless 1.4305	10	40	12,0	14,7	9,6	35,8	26,9	51,5	15,8	10	60	55
QR1004.M10-045-S	Stainless 1.4305	10	45	12,0	14,7	9,6	35,8	26,9	51,5	15,8	10	60	58

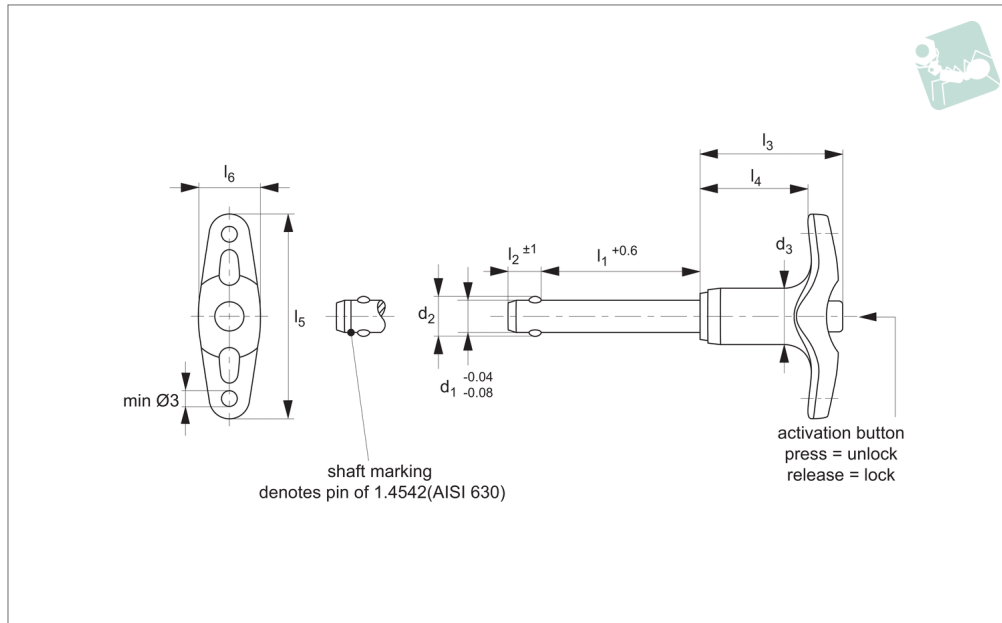


Order No.	Material	d <sub>1</sub>	l <sub>1</sub>	d <sub>2</sub>	d <sub>3</sub>	l <sub>2</sub>	l <sub>3</sub>	l <sub>4</sub>	l <sub>5</sub>	l <sub>6</sub>	Location hole dia. tol. H11	Shearing resistance, double kN min.	Weight g
QR1004.M10-050-S	Stainless 1.4305	10	50	12,0	14,7	9,6	35,8	26,9	51,5	15,8	10	60	61
QR1004.M10-060-S	Stainless 1.4305	10	60	12,0	14,7	9,6	35,8	26,9	51,5	15,8	10	60	67
QR1004.M12-025-S	Stainless 1.4305	12	25	14,5	18,2	10,6	35,1	25,3	59,1	20,2	12	87	73
QR1004.M12-030-S	Stainless 1.4305	12	30	14,5	18,2	10,6	35,1	25,3	59,1	20,2	12	87	77
QR1004.M12-035-S	Stainless 1.4305	12	35	14,5	18,2	10,6	35,1	25,3	59,1	20,2	12	87	81
QR1004.M12-040-S	Stainless 1.4305	12	40	14,5	18,2	10,6	35,1	25,3	59,1	20,2	12	87	86
QR1004.M12-045-S	Stainless 1.4305	12	45	14,5	18,2	10,6	35,1	25,3	59,1	20,2	12	87	90
QR1004.M12-050-S	Stainless 1.4305	12	50	14,5	18,2	10,6	35,1	25,3	59,1	20,2	12	87	94
QR1004.M12-060-S	Stainless 1.4305	12	60	14,5	18,2	10,6	35,1	25,3	59,1	20,2	12	87	103
QR1004.M12-070-S	Stainless 1.4305	12	70	14,5	18,2	10,6	35,1	25,3	59,1	20,2	12	87	111
QR1004.M12-080-S	Stainless 1.4305	12	80	14,5	18,2	10,6	35,1	25,3	59,1	20,2	12	87	119



# Ball Lock Pins - Single Acting - T- self-locking - stainless 1.4542

## Quick Release Pins



**QR1006**

QUICK RELEASE PINS

### Material

Pin: stainless steel 1.4542 (AISI 630).  
Precipitation hardened, blast finish. Offe-  
ring extreme load capacity. (Marked at end  
of shaft to denote 1.4542 material).  
Ball: stainless steel 1.3541  
Handle: aluminium, black (RAL9003).  
Spring: stainless steel.

### Technical Notes

Pressing = unlocking.  
Releasing = locking.  
Temperature range -30°C to +150°C.  
For quick fastening and locking frequently  
repeated connections.

### Tips

For lanyards & retaining cables see part  
no.LA1066-LA1092. Easy install locating  
bushes available see part no.LA1310 + .

### Important Notes

\*Shearing resistance similar to DIN 50141.

Order No.	Material	d <sub>1</sub>	l <sub>1</sub>	d <sub>2</sub>	d <sub>3</sub>	l <sub>2</sub>	l <sub>3</sub>	l <sub>4</sub>	l <sub>5</sub>	l <sub>6</sub>	Location hole dia. tol. H11	Shearing resistance, double kN min.	Weight g
QR1006.M05-010-T	Stainless 1.4542	5	10	5,5	11,8	6,0	31,6	24,1	45,2	12,7	5	24	19
QR1006.M05-015-T	Stainless 1.4542	5	15	5,5	11,8	6,0	31,6	24,1	45,2	12,7	5	24	20
QR1006.M05-020-T	Stainless 1.4542	5	20	5,5	11,8	6,0	31,6	24,1	45,2	12,7	5	24	20
QR1006.M05-025-T	Stainless 1.4542	5	25	5,5	11,8	6,0	31,6	24,1	45,2	12,7	5	24	21
QR1006.M05-030-T	Stainless 1.4542	5	30	5,5	11,8	6,0	31,6	24,1	45,2	12,7	5	24	22
QR1006.M06-010-T	Stainless 1.4542	6	10	7,0	11,8	7,0	31,6	24,1	45,2	12,7	6	35	20
QR1006.M06-015-T	Stainless 1.4542	6	15	7,0	11,8	7,0	31,6	24,1	45,2	12,7	6	35	21
QR1006.M06-020-T	Stainless 1.4542	6	20	7,0	11,8	7,0	31,6	24,1	45,2	12,7	6	35	22
QR1006.M06-025-T	Stainless 1.4542	6	25	7,0	11,8	7,0	31,6	24,1	45,2	12,7	6	35	23
QR1006.M06-030-T	Stainless 1.4542	6	30	7,0	11,8	7,0	31,6	24,1	45,2	12,7	6	35	24
QR1006.M06-035-T	Stainless 1.4542	6	35	7,0	11,8	7,0	31,6	24,1	45,2	12,7	6	35	25
QR1006.M06-040-T	Stainless 1.4542	6	40	7,0	11,8	7,0	31,6	24,1	45,2	12,7	6	35	26
QR1006.M06-045-T	Stainless 1.4542	6	45	7,0	11,8	7,0	31,6	24,1	45,2	12,7	6	35	27
QR1006.M06-050-T	Stainless 1.4542	6	50	7,0	11,8	7,0	31,6	24,1	45,2	12,7	6	35	28
QR1006.M08-020-T	Stainless 1.4542	8	20	9,5	14,7	8,2	35,8	26,9	51,5	15,8	8	63	37
QR1006.M08-025-T	Stainless 1.4542	8	25	9,5	14,7	8,2	35,8	26,9	51,5	15,8	8	63	39
QR1006.M08-030-T	Stainless 1.4542	8	30	9,5	14,7	8,2	35,8	26,9	51,5	15,8	8	63	41
QR1006.M08-035-T	Stainless 1.4542	8	35	9,5	14,7	8,2	35,8	26,9	51,5	15,8	8	63	43
QR1006.M08-040-T	Stainless 1.4542	8	40	9,5	14,7	8,2	35,8	26,9	51,5	15,8	8	63	44
QR1006.M08-045-T	Stainless 1.4542	8	45	9,5	14,7	8,2	35,8	26,9	51,5	15,8	8	63	46
QR1006.M08-050-T	Stainless 1.4542	8	50	9,5	14,7	8,2	35,8	26,9	51,5	15,8	8	63	48
QR1006.M10-020-T	Stainless 1.4542	10	20	12,0	14,7	9,6	35,8	26,9	51,5	15,8	10	100	44
QR1006.M10-025-T	Stainless 1.4542	10	25	12,0	14,7	9,6	35,8	26,9	51,5	15,8	10	100	47
QR1006.M10-030-T	Stainless 1.4542	10	30	12,0	14,7	9,6	35,8	26,9	51,5	15,8	10	100	49
QR1006.M10-035-T	Stainless 1.4542	10	35	12,0	14,7	9,6	35,8	26,9	51,5	15,8	10	100	52
QR1006.M10-040-T	Stainless 1.4542	10	40	12,0	14,7	9,6	35,8	26,9	51,5	15,8	10	100	55
QR1006.M10-045-T	Stainless 1.4542	10	45	12,0	14,7	9,6	35,8	26,9	51,5	15,8	10	100	58
QR1006.M10-050-T	Stainless 1.4542	10	50	12,0	14,7	9,6	35,8	26,9	51,5	15,8	10	100	61

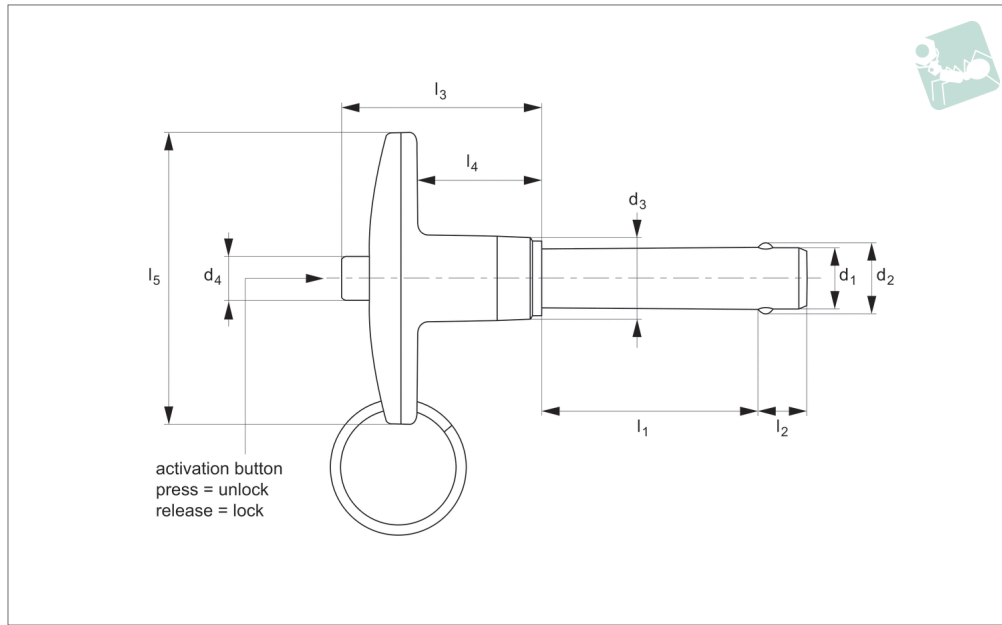


Order No.	Material	d <sub>1</sub>	l <sub>1</sub>	d <sub>2</sub>	d <sub>3</sub>	l <sub>2</sub>	l <sub>3</sub>	l <sub>4</sub>	l <sub>5</sub>	l <sub>6</sub>	Location hole dia. tol. H11	Shearing resistance, double kN min.	Weight g
QR1006.M10-060-T	Stainless 1.4542	10	60	12,0	14,7	9,6	35,8	26,9	51,5	15,8	10	100	67
QR1006.M12-025-T	Stainless 1.4542	12	25	14,5	18,2	10,6	35,1	25,3	59,1	20,2	12	144	73
QR1006.M12-030-T	Stainless 1.4542	12	30	14,5	18,2	10,6	35,1	25,3	59,1	20,2	12	144	77
QR1006.M12-035-T	Stainless 1.4542	12	35	14,5	18,2	10,6	35,1	25,3	59,1	20,2	12	144	81
QR1006.M12-040-T	Stainless 1.4542	12	40	14,5	18,2	10,6	35,1	25,3	59,1	20,2	12	144	86
QR1006.M12-045-T	Stainless 1.4542	12	45	14,5	18,2	10,6	35,1	25,3	59,1	20,2	12	144	90
QR1006.M12-050-T	Stainless 1.4542	12	50	14,5	18,2	10,6	35,1	25,3	59,1	20,2	12	144	94
QR1006.M12-060-T	Stainless 1.4542	12	60	14,5	18,2	10,6	35,1	25,3	59,1	20,2	12	144	103
QR1006.M12-070-T	Stainless 1.4542	12	70	14,5	18,2	10,6	35,1	25,3	59,1	20,2	12	144	111
QR1006.M12-080-T	Stainless 1.4542	12	80	14,5	18,2	10,6	35,1	25,3	59,1	20,2	12	144	119



# Quick Release Pins - Metric - T-handle steel pin

# Quick Release Pins



## QR1012

QUICK RELEASE PINS

### Material

Pin: alloy steel, 4130 (DIN 1.7218), Zinc plated clear chromate. Tensile strength 1,100 N/mm<sup>2</sup> min. RoHS compliant.  
Handle: Alu. 380 die cast (DIN ALSi9Cu3), black anodised (RAL 9003).  
Actuator button: Alu. 2024-T4 (DIN AlCuMg2), anodised blue or clear.

Internal spindle, balls and split ring (supplied); from stainless steel.

### Technical Notes

Pressing = unlocking.  
Releasing = locking.  
Temperature range -30°C to +150°C  
**Supplied with split ring.**

### Tips

For quick fastening and locking frequently repeated connections.  
For lanyards & retaining cables see part nos. L to LA1224. For easy install locating bushes and end caps see part nos. LA1260 to LA1355.

Order No.	d <sub>1</sub> nom.	l <sub>1</sub> grip +0.5 - 0.0	Material	d <sub>1</sub> max.	d <sub>1</sub> min.	d <sub>2</sub> ±0.25	d <sub>3</sub>	d <sub>4</sub>	l <sub>2</sub> ±1.00	l <sub>3</sub>	l <sub>4</sub>	l <sub>5</sub>	Loc'n hole min.  max.	Pull out strength kN min.	Calc. double shear kN
QR1012.M05-010-C	5	10	4130 Steel	4.96	4.92	5.54	11.9	5.8	6	30.7	19.3	46.0	5,0/5,1	0.89	21.6
QR1012.M05-015-C	5	15	4130 Steel	4.96	4.92	5.54	11.9	5.8	6	30.7	19.3	46.0	5,0/5,1	0.89	21.6
QR1012.M05-020-C	5	20	4130 Steel	4.96	4.92	5.54	11.9	5.8	6	30.7	19.3	46.0	5,0/5,1	0.89	21.6
QR1012.M05-025-C	5	25	4130 Steel	4.96	4.92	5.54	11.9	5.8	6	30.7	19.3	46.0	5,0/5,1	0.89	21.6
QR1012.M05-030-C	5	30	4130 Steel	4.96	4.92	5.54	11.9	5.8	6	30.7	19.3	46.0	5,0/5,1	0.89	21.6
QR1012.M05-035-C	5	35	4130 Steel	4.96	4.92	5.54	11.9	5.8	6	30.7	19.3	46.0	5,0/5,1	0.89	21.6
QR1012.M05-040-C	5	40	4130 Steel	4.96	4.92	5.54	11.9	5.8	6	30.7	19.3	46.0	5,0/5,1	0.89	21.6
QR1012.M05-045-C	5	45	4130 Steel	4.96	4.92	5.54	11.9	5.8	6	30.7	19.3	46.0	5,0/5,1	0.89	21.6
QR1012.M05-050-C	5	50	4130 Steel	4.96	4.92	5.54	11.9	5.8	6	30.7	19.3	46.0	5,0/5,1	0.89	21.6
QR1012.M05-060-C	5	60	4130 Steel	4.96	4.92	5.54	11.9	5.8	6	30.7	19.3	46.0	5,0/5,1	0.89	21.6
QR1012.M05-070-C	5	70	4130 Steel	4.96	4.92	5.54	11.9	5.8	6	30.7	19.3	46.0	5,0/5,1	0.89	21.6
QR1012.M05-080-C	5	80	4130 Steel	4.96	4.92	5.54	11.9	5.8	6	30.7	19.3	46.0	5,0/5,1	0.89	21.6
QR1012.M05-090-C	5	90	4130 Steel	4.96	4.92	5.54	11.9	5.8	6	30.7	19.3	46.0	5,0/5,1	0.89	21.6
QR1012.M05-100-C	5	100	4130 Steel	4.96	4.92	5.54	11.9	5.8	6	30.7	19.3	46.0	5,0/5,1	0.89	21.6

# Quick Release Pins

# Quick Release Pins - Metric - T-handle steel pin



QUICK RELEASE PINS

Order No.	d <sub>1</sub> nom.	l <sub>1</sub> grip +0.5 - 0.0	Material	d <sub>1</sub> max.	d <sub>1</sub> min.	d <sub>2</sub> ±0.25	d <sub>3</sub>	d <sub>4</sub>	l <sub>2</sub> ±1.00	l <sub>3</sub>	l <sub>4</sub>	l <sub>5</sub>	Loc'n hole min.  max.	Pull out strength kN min.	Calc. double shear kN
QR1012.M06-010-C	6	10	4130 Steel	5.96	5.92	6.99	11.9	5.8	7	30.7	19.3	46.0	6,0/6,1	1.02	31.69
QR1012.M06-015-C	6	15	4130 Steel	5.96	5.92	6.99	11.9	5.8	7	30.7	19.3	46.0	6,0/6,1	1.02	31.69
QR1012.M06-020-C	6	20	4130 Steel	5.96	5.92	6.99	11.9	5.8	7	30.7	19.3	46.0	6,0/6,1	1.02	31.69
QR1012.M06-025-C	6	25	4130 Steel	5.96	5.92	6.99	11.9	5.8	7	30.7	19.3	46.0	6,0/6,1	1.02	31.69
QR1012.M06-030-C	6	30	4130 Steel	5.96	5.92	6.99	11.9	5.8	7	30.7	19.3	46.0	6,0/6,1	1.02	31.69
QR1012.M06-035-C	6	35	4130 Steel	5.96	5.92	6.99	11.9	5.8	7	30.7	19.3	46.0	6,0/6,1	1.02	31.69
QR1012.M06-040-C	6	40	4130 Steel	5.96	5.92	6.99	11.9	5.8	7	30.7	19.3	46.0	6,0/6,1	1.02	31.69
QR1012.M06-045-C	6	45	4130 Steel	5.96	5.92	6.99	11.9	5.8	7	30.7	19.3	46.0	6,0/6,1	1.02	31.69
QR1012.M06-050-C	6	50	4130 Steel	5.96	5.92	6.99	11.9	5.8	7	30.7	19.3	46.0	6,0/6,1	1.02	31.69
QR1012.M06-060-C	6	60	4130 Steel	5.96	5.92	6.99	11.9	5.8	7	30.7	19.3	46.0	6,0/6,1	1.02	31.69
QR1012.M06-070-C	6	70	4130 Steel	5.96	5.92	6.99	11.9	5.8	7	30.7	19.3	46.0	6,0/6,1	1.02	31.69
QR1012.M06-080-C	6	80	4130 Steel	5.96	5.92	6.99	11.9	5.8	7	30.7	19.3	46.0	6,0/6,1	1.02	31.69
QR1012.M06-090-C	6	90	4130 Steel	5.96	5.92	6.99	11.9	5.8	7	30.7	19.3	46.0	6,0/6,1	1.02	31.69
QR1012.M06-100-C	6	100	4130 Steel	5.96	5.92	6.99	11.9	5.8	7	30.7	19.3	46.0	6,0/6,1	1.02	31.69
QR1012.M08-010-C	8	10	4130 Steel	7.96	7.92	9.42	11.9	5.8	8	30.7	19.3	46.0	8,0/8,1	2.30	56.71
QR1012.M08-015-C	8	15	4130 Steel	7.96	7.92	9.42	11.9	5.8	8	30.7	19.3	46.0	8,0/8,1	2.30	56.71
QR1012.M08-020-C	8	20	4130 Steel	7.96	7.92	9.42	11.9	5.8	8	30.7	19.3	46.0	8,0/8,1	2.30	56.71
QR1012.M08-025-C	8	25	4130 Steel	7.96	7.92	9.42	11.9	5.8	8	30.7	19.3	46.0	8,0/8,1	2.30	56.71
QR1012.M08-030-C	8	30	4130 Steel	7.96	7.92	9.42	11.9	5.8	8	30.7	19.3	46.0	8,0/8,1	2.30	56.71
QR1012.M08-035-C	8	35	4130 Steel	7.96	7.92	9.42	11.9	5.8	8	30.7	19.3	46.0	8,0/8,1	2.30	56.71
QR1012.M08-040-C	8	40	4130 Steel	7.96	7.92	9.42	11.9	5.8	8	30.7	19.3	46.0	8,0/8,1	2.30	56.71
QR1012.M08-045-C	8	45	4130 Steel	7.96	7.92	9.42	11.9	5.8	8	30.7	19.3	46.0	8,0/8,1	2.30	56.71
QR1012.M08-050-C	8	50	4130 Steel	7.96	7.92	9.42	11.9	5.8	8	30.7	19.3	46.0	8,0/8,1	2.30	56.71
QR1012.M08-060-C	8	60	4130 Steel	7.96	7.92	9.42	11.9	5.8	8	30.7	19.3	46.0	8,0/8,1	2.30	56.71
QR1012.M08-070-C	8	70	4130 Steel	7.96	7.92	9.42	11.9	5.8	8	30.7	19.3	46.0	8,0/8,1	2.30	56.71
QR1012.M08-080-C	8	80	4130 Steel	7.96	7.92	9.42	11.9	5.8	8	30.7	19.3	46.0	8,0/8,1	2.30	56.71
QR1012.M08-090-C	8	90	4130 Steel	7.96	7.92	9.42	11.9	5.8	8	30.7	19.3	46.0	8,0/8,1	2.30	56.71
QR1012.M08-100-C	8	100	4130 Steel	7.96	7.92	9.42	11.9	5.8	8	30.7	19.3	46.0	8,0/8,1	2.30	56.71
QR1012.M10-015-C	10	15	4130 Steel	9.96	9.92	11.8 6	14.2	7.4	9	34.8	22.1	50.8	10,0/ 10,1	2.56	88.98
QR1012.M10-020-C	10	20	4130 Steel	9.96	9.92	11.8 6	14.2	7.4	9	34.8	22.1	50.8	10,0/ 10,1	2.56	88.98
QR1012.M10-025-C	10	25	4130 Steel	9.96	9.92	11.8 6	14.2	7.4	9	34.8	22.1	50.8	10,0/ 10,1	2.56	88.98
QR1012.M10-030-C	10	30	4130 Steel	9.96	9.92	11.8 6	14.2	7.4	9	34.8	22.1	50.8	10,0/ 10,1	2.56	88.98
QR1012.M10-035-C	10	35	4130 Steel	9.96	9.92	11.8 6	14.2	7.4	9	34.8	22.1	50.8	10,0/ 10,1	2.56	88.98



# Quick Release Pins - Metric - T-handle steel pin

## Quick Release Pins

Order No.	d <sub>1</sub> nom.	l <sub>1</sub> grip +0.5 - 0.0	Material	d <sub>1</sub> max.	d <sub>1</sub> min.	d <sub>2</sub> ±0.25	d <sub>3</sub>	d <sub>4</sub>	l <sub>2</sub> ±1.00	l <sub>3</sub>	l <sub>4</sub>	l <sub>5</sub>	Loc'n hole min.  max.	Pull out strength kN min.	Calc. double shear kN
QR1012.M10-040-C	10	40	4130 Steel	9.96	9.92	11.8 6	14.2	7.4	9	34.8	22.1	50.8	10,0/ 10,1	2.56	88.98
QR1012.M10-045-C	10	45	4130 Steel	9.96	9.92	11.8 6	14.2	7.4	9	34.8	22.1	50.8	10,0/ 10,1	2.56	88.98
QR1012.M10-050-C	10	50	4130 Steel	9.96	9.92	11.8 6	14.2	7.4	9	34.8	22.1	50.8	10,0/ 10,1	2.56	88.98
QR1012.M10-060-C	10	60	4130 Steel	9.96	9.92	11.8 6	14.2	7.4	9	34.8	22.1	50.8	10,0/ 10,1	2.56	88.98
QR1012.M10-070-C	10	70	4130 Steel	9.96	9.92	11.8 6	14.2	7.4	9	34.8	22.1	50.8	10,0/ 10,1	2.56	88.98
QR1012.M10-080-C	10	80	4130 Steel	9.96	9.92	11.8 6	14.2	7.4	9	34.8	22.1	50.8	10,0/ 10,1	2.56	88.98
QR1012.M10-090-C	10	90	4130 Steel	9.96	9.92	11.8 6	14.2	7.4	9	34.8	22.1	50.8	10,0/ 10,1	2.56	88.98
QR1012.M10-100-C	10	100	4130 Steel	9.96	9.92	11.8 6	14.2	7.4	9	34.8	22.1	50.8	10,0/ 10,1	2.56	88.98
QR1012.M12-020-C	12	20	4130 Steel	11.9 6	11.9 2	14.4 5	18.3	10.7	10	40.6	25.4	57.2	12,0/ 12,1	5.16	128.05
QR1012.M12-025-C	12	25	4130 Steel	11.9 6	11.9 2	14.4 5	18.3	10.7	10	40.6	25.4	57.2	12,0/ 12,1	5.16	128.05
QR1012.M12-030-C	12	30	4130 Steel	11.9 6	11.9 2	14.4 5	18.3	10.7	10	40.6	25.4	57.2	12,0/ 12,1	5.16	128.05
QR1012.M12-035-C	12	35	4130 Steel	11.9 6	11.9 2	14.4 5	18.3	10.7	10	40.6	25.4	57.2	12,0/ 12,1	5.16	128.05
QR1012.M12-040-C	12	40	4130 Steel	11.9 6	11.9 2	14.4 5	18.3	10.7	10	40.6	25.4	57.2	12,0/ 12,1	5.16	128.05
QR1012.M12-045-C	12	45	4130 Steel	11.9 6	11.9 2	14.4 5	18.3	10.7	10	40.6	25.4	57.2	12,0/ 12,1	5.16	128.05
QR1012.M12-050-C	12	50	4130 Steel	11.9 6	11.9 2	14.4 5	18.3	10.7	10	40.6	25.4	57.2	12,0/ 12,1	5.16	128.05
QR1012.M12-060-C	12	60	4130 Steel	11.9 6	11.9 2	14.4 5	18.3	10.7	10	40.6	25.4	57.2	12,0/ 12,1	5.16	128.05
QR1012.M12-070-C	12	70	4130 Steel	11.9 6	11.9 2	14.4 5	18.3	10.7	10	40.6	25.4	57.2	12,0/ 12,1	5.16	128.05
QR1012.M12-080-C	12	80	4130 Steel	11.9 6	11.9 2	14.4 5	18.3	10.7	10	40.6	25.4	57.2	12,0/ 12,1	5.16	128.05
QR1012.M12-090-C	12	90	4130 Steel	11.9 6	11.9 2	14.4 5	18.3	10.7	10	40.6	25.4	57.2	12,0/ 12,1	5.16	128.05
QR1012.M12-100-C	12	100	4130 Steel	11.9 6	11.9 2	14.4 5	18.3	10.7	10	40.6	25.4	57.2	12,0/ 12,1	5.16	128.05
QR1012.M16-025-C	16	25	4130 Steel	15.9 6	15.9 2	19.0 0	23.9	13.7	14	45.0	28.2	78.0	16,0/ 16,1	9.21	228.60
QR1012.M16-030-C	16	30	4130 Steel	15.9 6	15.9 2	19.0 0	23.9	13.7	14	45.0	28.2	78.0	16,0/ 16,1	9.21	228.60
QR1012.M16-035-C	16	35	4130 Steel	15.9 6	15.9 2	19.0 0	23.9	13.7	14	45.0	28.2	78.0	16,0/ 16,1	9.21	228.60
QR1012.M16-040-C	16	40	4130 Steel	15.9 6	15.9 2	19.0 0	23.9	13.7	14	45.0	28.2	78.0	16,0/ 16,1	9.21	228.60
QR1012.M16-045-C	16	45	4130 Steel	15.9 6	15.9 2	19.0 0	23.9	13.7	14	45.0	28.2	78.0	16,0/ 16,1	9.21	228.60
QR1012.M16-050-C	16	50	4130 Steel	15.9 6	15.9 2	19.0 0	23.9	13.7	14	45.0	28.2	78.0	16,0/ 16,1	9.21	228.60
QR1012.M16-060-C	16	60	4130 Steel	15.9 6	15.9 2	19.0 0	23.9	13.7	14	45.0	28.2	78.0	16,0/ 16,1	9.21	228.60

QUICK RELEASE PINS

# Quick Release Pins

## Quick Release Pins - Metric - T-handle steel pin



Order No.	d <sub>1</sub> nom.	l <sub>1</sub> grip +0.5 -0.0	Material	d <sub>1</sub> max.	d <sub>1</sub> min.	d <sub>2</sub> ±0.25	d <sub>3</sub>	d <sub>4</sub>	l <sub>2</sub> ±1.00	l <sub>3</sub>	l <sub>4</sub>	l <sub>5</sub>	Loc'n hole min.   max.	Pull out strength kN min.	Calc. double shear kN
QR1012.M16-070-C	16	70	4130 Steel	15.9 6	15.9 2	19.0 0	23.9	13.7	14	45.0	28.2	78.0	16,0/ 16,1	9.21	228.60
QR1012.M16-080-C	16	80	4130 Steel	15.9 6	15.9 2	19.0 0	23.9	13.7	14	45.0	28.2	78.0	16,0/ 16,1	9.21	228.60
QR1012.M16-090-C	16	90	4130 Steel	15.9 6	15.9 2	19.0 0	23.9	13.7	14	45.0	28.2	78.0	16,0/ 16,1	9.21	228.60
QR1012.M16-100-C	16	100	4130 Steel	15.9 6	15.9 2	19.0 0	23.9	13.7	14	45.0	28.2	78.0	16,0/ 16,1	9.21	228.60

QUICK RELEASE PINS

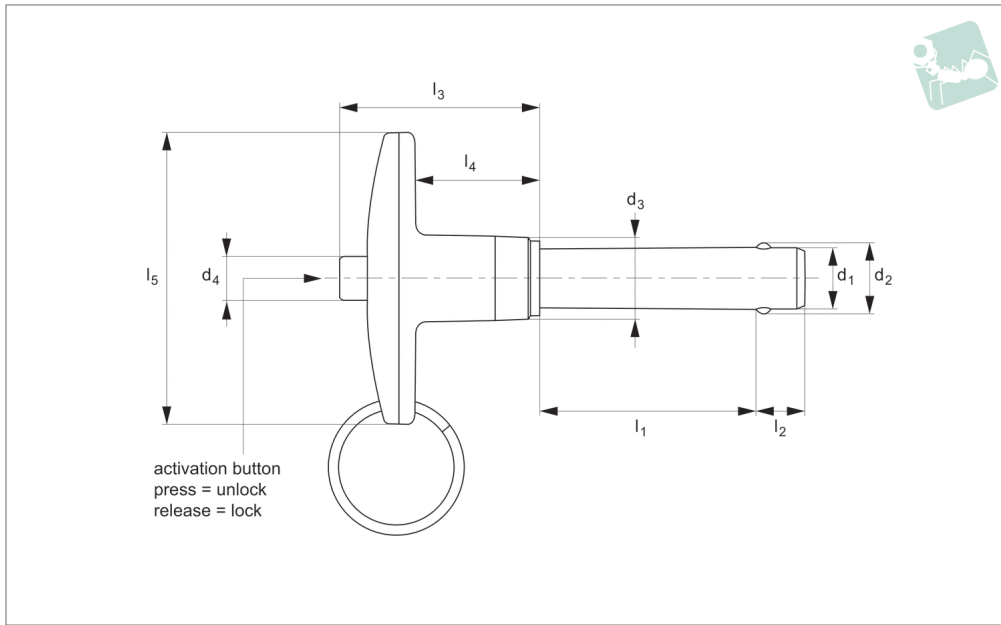




# Quick Release Pins - Metric - T-handle

precipitation hardened stainless pin

# Quick Release Pins



## QR1016

QUICK RELEASE PINS

### Material

Pin: stainless steel 17-4PH (DIN 1.4542, AISI 630), precipitation hardened, passivated. Tensile strength 1,300 N/mm<sup>2</sup> min. HRC 40. RoHS compliant.  
Handle: Alu. 380 die cast (DIN AlSi9Cu3), black anodised (RAL 9003).  
Actuator button: Alu. 2024-T4 (DIN AlCuMg2), anodised blue or clear.

Internal spindle, balls and split ring (supplied); from stainless steel.

### Technical Notes

Pressing = unlocking.  
Releasing = locking.  
Temperature range -30°C to +150°C  
**Supplied with split ring.**

### Tips

For quick fastening and locking frequently repeated connections.  
For lanyards & retaining cables see part nos. L to LA1224. For easy install locating bushes and end caps see part nos. LA1260 to LA1355.

Order No.	d <sub>1</sub> nom.	l <sub>1</sub> grip +0.5 - 0.0	Material	d <sub>1</sub> max.	d <sub>1</sub> min.	d <sub>2</sub> ±0.25	d <sub>3</sub>	d <sub>4</sub>	l <sub>2</sub> ±1.00	l <sub>3</sub>	l <sub>4</sub>	l <sub>5</sub>	Loc'n hole min.  max.	Pull out strength kN min.	Calc. double shear kN
QR1016.M05-010-T	5	10	17-4 PH	4.96	4.92	5.54	11.9	5.8	6	30.7	19.3	46.0	5,0/5,1	0.89	24.4
QR1016.M05-015-T	5	15	17-4 PH	4.96	4.92	5.54	11.9	5.8	6	30.7	19.3	46.0	5,0/5,1	0.89	24.4
QR1016.M05-020-T	5	20	17-4 PH	4.96	4.92	5.54	11.9	5.8	6	30.7	19.3	46.0	5,0/5,1	0.89	24.4
QR1016.M05-025-T	5	25	17-4 PH	4.96	4.92	5.54	11.9	5.8	6	30.7	19.3	46.0	5,0/5,1	0.89	24.4
QR1016.M05-030-T	5	30	17-4 PH	4.96	4.92	5.54	11.9	5.8	6	30.7	19.3	46.0	5,0/5,1	0.89	24.4
QR1016.M05-035-T	5	35	17-4 PH	4.96	4.92	5.54	11.9	5.8	6	30.7	19.3	46.0	5,0/5,1	0.89	24.4
QR1016.M05-040-T	5	40	17-4 PH	4.96	4.92	5.54	11.9	5.8	6	30.7	19.3	46.0	5,0/5,1	0.89	24.4
QR1016.M05-045-T	5	45	17-4 PH	4.96	4.92	5.54	11.9	5.8	6	30.7	19.3	46.0	5,0/5,1	0.89	24.4
QR1016.M05-050-T	5	50	17-4 PH	4.96	4.92	5.54	11.9	5.8	6	30.7	19.3	46.0	5,0/5,1	0.89	24.4
QR1016.M05-060-T	5	60	17-4 PH	4.96	4.92	5.54	11.9	5.8	6	30.7	19.3	46.0	5,0/5,1	0.89	24.4
QR1016.M05-070-T	5	70	17-4 PH	4.96	4.92	5.54	11.9	5.8	6	30.7	19.3	46.0	5,0/5,1	0.89	24.4
QR1016.M05-080-T	5	80	17-4 PH	4.96	4.92	5.54	11.9	5.8	6	30.7	19.3	46.0	5,0/5,1	0.89	24.4
QR1016.M05-090-T	5	90	17-4 PH	4.96	4.92	5.54	11.9	5.8	6	30.7	19.3	46.0	5,0/5,1	0.89	24.4

# Quick Release Pins

# Quick Release Pins - Metric - T-handle precipitation hardened stainless pin



QUICK RELEASE PINS

Order No.	d <sub>1</sub> nom.	l <sub>1</sub> grip +0.5 - 0.0	Material	d <sub>1</sub> max.	d <sub>1</sub> min.	d <sub>2</sub> ±0.25	d <sub>3</sub>	d <sub>4</sub>	l <sub>2</sub> ±1.00	l <sub>3</sub>	l <sub>4</sub>	l <sub>5</sub>	Loc'n hole min.  max.	Pull out strength kN min.	Calc. double shear kN
QR1016.M05-100-T	5	100	17-4 PH	4.96	4.92	5.54	11.9	5.8	6	30.7	19.3	46.0	5,0/5,1	0.89	24.4
QR1016.M06-010-T	6	10	17-4 PH	5.96	5.92	6.99	11.9	5.8	7	30.7	19.3	46.0	6,0/6,1	1.02	35.64
QR1016.M06-015-T	6	15	17-4 PH	5.96	5.92	6.99	11.9	5.8	7	30.7	19.3	46.0	6,0/6,1	1.02	35.64
QR1016.M06-020-T	6	20	17-4 PH	5.96	5.92	6.99	11.9	5.8	7	30.7	19.3	46.0	6,0/6,1	1.02	35.64
QR1016.M06-025-T	6	25	17-4 PH	5.96	5.92	6.99	11.9	5.8	7	30.7	19.3	46.0	6,0/6,1	1.02	35.64
QR1016.M06-030-T	6	30	17-4 PH	5.96	5.92	6.99	11.9	5.8	7	30.7	19.3	46.0	6,0/6,1	1.02	35.64
QR1016.M06-035-T	6	35	17-4 PH	5.96	5.92	6.99	11.9	5.8	7	30.7	19.3	46.0	6,0/6,1	1.02	35.64
QR1016.M06-040-T	6	40	17-4 PH	5.96	5.92	6.99	11.9	5.8	7	30.7	19.3	46.0	6,0/6,1	1.02	35.64
QR1016.M06-045-T	6	45	17-4 PH	5.96	5.92	6.99	11.9	5.8	7	30.7	19.3	46.0	6,0/6,1	1.02	35.64
QR1016.M06-050-T	6	50	17-4 PH	5.96	5.92	6.99	11.9	5.8	7	30.7	19.3	46.0	6,0/6,1	1.02	35.64
QR1016.M06-060-T	6	60	17-4 PH	5.96	5.92	6.99	11.9	5.8	7	30.7	19.3	46.0	6,0/6,1	1.02	35.64
QR1016.M06-070-T	6	70	17-4 PH	5.96	5.92	6.99	11.9	5.8	7	30.7	19.3	46.0	6,0/6,1	1.02	35.64
QR1016.M06-080-T	6	80	17-4 PH	5.96	5.92	6.99	11.9	5.8	7	30.7	19.3	46.0	6,0/6,1	1.02	35.64
QR1016.M06-090-T	6	90	17-4 PH	5.96	5.92	6.99	11.9	5.8	7	30.7	19.3	46.0	6,0/6,1	1.02	35.64
QR1016.M06-100-T	6	100	17-4 PH	5.96	5.92	6.99	11.9	5.8	7	30.7	19.3	46.0	6,0/6,1	1.02	35.64
QR1016.M08-010-T	8	10	17-4 PH	7.96	7.92	9.42	11.9	5.8	8	30.7	19.3	46.0	8,0/8,1	2.30	63.80
QR1016.M08-015-T	8	15	17-4 PH	7.96	7.92	9.42	11.9	5.8	8	30.7	19.3	46.0	8,0/8,1	2.30	63.80
QR1016.M08-020-T	8	20	17-4 PH	7.96	7.92	9.42	11.9	5.8	8	30.7	19.3	46.0	8,0/8,1	2.30	63.80
QR1016.M08-025-T	8	25	17-4 PH	7.96	7.92	9.42	11.9	5.8	8	30.7	19.3	46.0	8,0/8,1	2.30	63.80
QR1016.M08-030-T	8	30	17-4 PH	7.96	7.92	9.42	11.9	5.8	8	30.7	19.3	46.0	8,0/8,1	2.30	63.80
QR1016.M08-035-T	8	35	17-4 PH	7.96	7.92	9.42	11.9	5.8	8	30.7	19.3	46.0	8,0/8,1	2.30	63.80
QR1016.M08-040-T	8	40	17-4 PH	7.96	7.92	9.42	11.9	5.8	8	30.7	19.3	46.0	8,0/8,1	2.30	63.80
QR1016.M08-045-T	8	45	17-4 PH	7.96	7.92	9.42	11.9	5.8	8	30.7	19.3	46.0	8,0/8,1	2.30	63.80
QR1016.M08-050-T	8	50	17-4 PH	7.96	7.92	9.42	11.9	5.8	8	30.7	19.3	46.0	8,0/8,1	2.30	63.80
QR1016.M08-060-T	8	60	17-4 PH	7.96	7.92	9.42	11.9	5.8	8	30.7	19.3	46.0	8,0/8,1	2.30	63.80
QR1016.M08-070-T	8	70	17-4 PH	7.96	7.92	9.42	11.9	5.8	8	30.7	19.3	46.0	8,0/8,1	2.30	63.80
QR1016.M08-080-T	8	80	17-4 PH	7.96	7.92	9.42	11.9	5.8	8	30.7	19.3	46.0	8,0/8,1	2.30	63.80
QR1016.M08-090-T	8	90	17-4 PH	7.96	7.92	9.42	11.9	5.8	8	30.7	19.3	46.0	8,0/8,1	2.30	63.80
QR1016.M08-100-T	8	100	17-4 PH	7.96	7.92	9.42	11.9	5.8	8	30.7	19.3	46.0	8,0/8,1	2.30	63.80
QR1016.M10-015-T	10	15	17-4 PH	9.96	9.92	11.8 6	14.2	7.4	9	34.8	22.1	50.8	10,0/ 10,1	2.56	100.10
QR1016.M10-020-T	10	20	17-4 PH	9.96	9.92	11.8 6	14.2	7.4	9	34.8	22.1	50.8	10,0/ 10,1	2.56	100.10
QR1016.M10-025-T	10	25	17-4 PH	9.96	9.92	11.8 6	14.2	7.4	9	34.8	22.1	50.8	10,0/ 10,1	2.56	100.10
QR1016.M10-030-T	10	30	17-4 PH	9.96	9.92	11.8 6	14.2	7.4	9	34.8	22.1	50.8	10,0/ 10,1	2.56	100.10



# Quick Release Pins - Metric - T-handle

precipitation hardened stainless pin

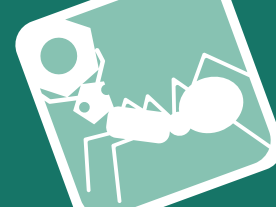
# Quick Release Pins

Order No.	d <sub>1</sub> nom.	l <sub>1</sub> grip +0.5 - 0.0	Material	d <sub>1</sub> max.	d <sub>1</sub> min.	d <sub>2</sub> ±0.25	d <sub>3</sub>	d <sub>4</sub>	l <sub>2</sub> ±1.00	l <sub>3</sub>	l <sub>4</sub>	l <sub>5</sub>	Loc'n hole min.  max.	Pull out strength kN min.	Calc. double shear kN
QR1016.M10-035-T	10	35	17-4 PH	9.96	9.92	11.8 6	14.2	7.4	9	34.8	22.1	50.8	10,0/ 10,1	2.56	100.10
QR1016.M10-040-T	10	40	17-4 PH	9.96	9.92	11.8 6	14.2	7.4	9	34.8	22.1	50.8	10,0/ 10,1	2.56	100.10
QR1016.M10-045-T	10	45	17-4 PH	9.96	9.92	11.8 6	14.2	7.4	9	34.8	22.1	50.8	10,0/ 10,1	2.56	100.10
QR1016.M10-050-T	10	50	17-4 PH	9.96	9.92	11.8 6	14.2	7.4	9	34.8	22.1	50.8	10,0/ 10,1	2.56	100.10
QR1016.M10-060-T	10	60	17-4 PH	9.96	9.92	11.8 6	14.2	7.4	9	34.8	22.1	50.8	10,0/ 10,1	2.56	100.10
QR1016.M10-070-T	10	70	17-4 PH	9.96	9.92	11.8 6	14.2	7.4	9	34.8	22.1	50.8	10,0/ 10,1	2.56	100.10
QR1016.M10-080-T	10	80	17-4 PH	9.96	9.92	11.8 6	14.2	7.4	9	34.8	22.1	50.8	10,0/ 10,1	2.56	100.10
QR1016.M10-090-T	10	90	17-4 PH	9.96	9.92	11.8 6	14.2	7.4	9	34.8	22.1	50.8	10,0/ 10,1	2.56	100.10
QR1016.M10-100-T	10	100	17-4 PH	9.96	9.92	11.8 6	14.2	7.4	9	34.8	22.1	50.8	10,0/ 10,1	2.56	100.10
QR1016.M12-020-T	12	20	17-4 PH	11.9 6	11.9 2	14.4 5	18.3	10.7	10	40.6	25.4	57.2	12,0/ 12,1	5.16	144.06
QR1016.M12-025-T	12	25	17-4 PH	11.9 6	11.9 2	14.4 5	18.3	10.7	10	40.6	25.4	57.2	12,0/ 12,1	5.16	144.06
QR1016.M12-030-T	12	30	17-4 PH	11.9 6	11.9 2	14.4 5	18.3	10.7	10	40.6	25.4	57.2	12,0/ 12,1	5.16	144.06
QR1016.M12-035-T	12	35	17-4 PH	11.9 6	11.9 2	14.4 5	18.3	10.7	10	40.6	25.4	57.2	12,0/ 12,1	5.16	144.06
QR1016.M12-040-T	12	40	17-4 PH	11.9 6	11.9 2	14.4 5	18.3	10.7	10	40.6	25.4	57.2	12,0/ 12,1	5.16	144.06
QR1016.M12-045-T	12	45	17-4 PH	11.9 6	11.9 2	14.4 5	18.3	10.7	10	40.6	25.4	57.2	12,0/ 12,1	5.16	144.06
QR1016.M12-050-T	12	50	17-4 PH	11.9 6	11.9 2	14.4 5	18.3	10.7	10	40.6	25.4	57.2	12,0/ 12,1	5.16	144.06
QR1016.M12-060-T	12	60	17-4 PH	11.9 6	11.9 2	14.4 5	18.3	10.7	10	40.6	25.4	57.2	12,0/ 12,1	5.16	144.06
QR1016.M12-070-T	12	70	17-4 PH	11.9 6	11.9 2	14.4 5	18.3	10.7	10	40.6	25.4	57.2	12,0/ 12,1	5.16	144.06
QR1016.M12-080-T	12	80	17-4 PH	11.9 6	11.9 2	14.4 5	18.3	10.7	10	40.6	25.4	57.2	12,0/ 12,1	5.16	144.06
QR1016.M12-090-T	12	90	17-4 PH	11.9 6	11.9 2	14.4 5	18.3	10.7	10	40.6	25.4	57.2	12,0/ 12,1	5.16	144.06
QR1016.M12-100-T	12	100	17-4 PH	11.9 6	11.9 2	14.4 5	18.3	10.7	10	40.6	25.4	57.2	12,0/ 12,1	5.16	144.06
QR1016.M16-025-T	16	25	17-4 PH	15.9 6	15.9 2	19.0 0	23.9	13.7	14	45.0	28.2	78.0	16,0/ 16,1	9.21	257.18
QR1016.M16-030-T	16	30	17-4 PH	15.9 6	15.9 2	19.0 0	23.9	13.7	14	45.0	28.2	78.0	16,0/ 16,1	9.21	257.18
QR1016.M16-035-T	16	35	17-4 PH	15.9 6	15.9 2	19.0 0	23.9	13.7	14	45.0	28.2	78.0	16,0/ 16,1	9.21	257.18
QR1016.M16-040-T	16	40	17-4 PH	15.9 6	15.9 2	19.0 0	23.9	13.7	14	45.0	28.2	78.0	16,0/ 16,1	9.21	257.18
QR1016.M16-045-T	16	45	17-4 PH	15.9 6	15.9 2	19.0 0	23.9	13.7	14	45.0	28.2	78.0	16,0/ 16,1	9.21	257.18
QR1016.M16-050-T	16	50	17-4 PH	15.9 6	15.9 2	19.0 0	23.9	13.7	14	45.0	28.2	78.0	16,0/ 16,1	9.21	257.18
QR1016.M16-060-T	16	60	17-4 PH	15.9 6	15.9 2	19.0 0	23.9	13.7	14	45.0	28.2	78.0	16,0/ 16,1	9.21	257.18
QR1016.M16-070-T	16	70	17-4 PH	15.9 6	15.9 2	19.0 0	23.9	13.7	14	45.0	28.2	78.0	16,0/ 16,1	9.21	257.18
QR1016.M16-080-T	16	80	17-4 PH	15.9 6	15.9 2	19.0 0	23.9	13.7	14	45.0	28.2	78.0	16,0/ 16,1	9.21	257.18
QR1016.M16-090-T	16	90	17-4 PH	15.9 6	15.9 2	19.0 0	23.9	13.7	14	45.0	28.2	78.0	16,0/ 16,1	9.21	257.18
QR1016.M16-100-T	16	100	17-4 PH	15.9 6	15.9 2	19.0 0	23.9	13.7	14	45.0	28.2	78.0	16,0/ 16,1	9.21	257.18

QUICK RELEASE PINS

# Quick Release Pins

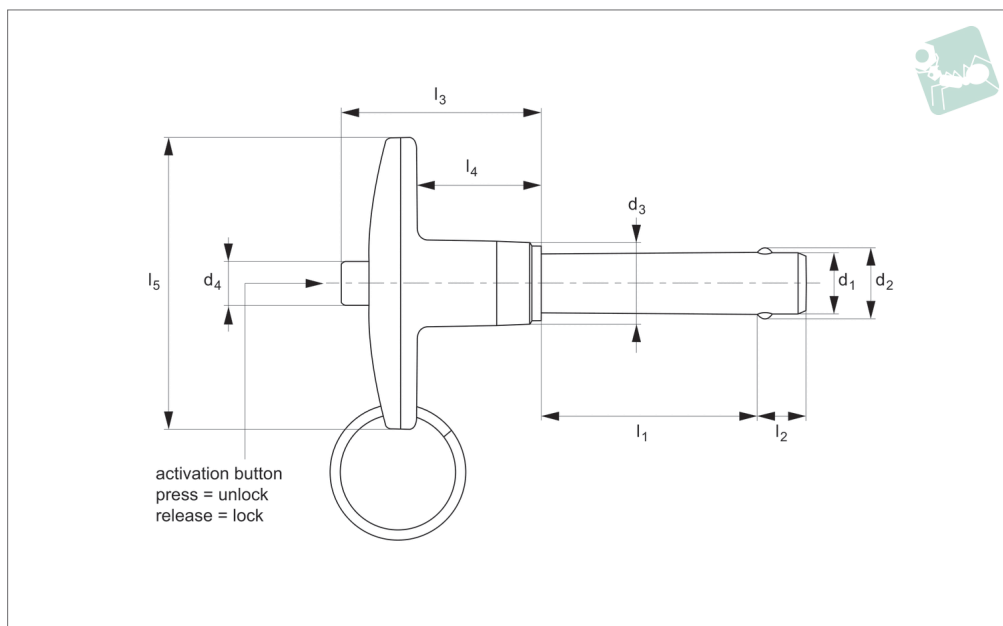
# Quick Release Pins - Inch - T-handle steel pin



QUICK RELEASE PINS



**QR1022**



**Material**

Pin: alloy steel, 4130 (DIN 1.7218), Cadmium plated. Tensile strength 1,100 N/mm<sup>2</sup> min. Non-RoHS compliant.  
Handle: Alu. 380 die cast (DIN AlSi9Cu3), black anodised (RAL 9003).  
Actuator button: Alu. 2024-T4 (DIN AlCuMg2), anodised blue or clear.

Internal spindle, balls and split ring (supplied); from stainless steel.

**Technical Notes**

Pressing = unlocking.  
Releasing = locking.  
Temperature range -30°C to +150°C  
**Supplied with split ring.**

**Tips**

For quick fastening and locking frequently repeated connections.  
For lanyards & retaining cables see part nos. L to LA1224. For easy install locating bushes and end caps see part nos. LA1260 to LA1355.

Order No.	d <sub>1</sub> nom.	l <sub>1</sub> grip +0.02 -0.00	Material	d <sub>1</sub> max.	d <sub>1</sub> min.	d <sub>2</sub> ±0.0 05	d <sub>3</sub>	d <sub>4</sub>	l <sub>2</sub> +0.000 -0.030	l <sub>3</sub>	l <sub>4</sub>	l <sub>5</sub>	Loc'n hole min.  max.	Pull out strength lb min.	Calc. double shear lb
QR1022.I18-050-C	3/16	0.50	4130 Steel	,188	,187	0.22	0.47	0.23	0.260	1.21	0.76	1.81	,1900/ ,1940	200	4600
QR1022.I18-075-C	3/16	0.75	4130 Steel	,188	,187	0.22	0.47	0.23	0.260	1.21	0.76	1.81	,1900/ ,1940	200	4600
QR1022.I18-100-C	3/16	1.00	4130 Steel	,188	,187	0.22	0.47	0.23	0.260	1.21	0.76	1.81	,1900/ ,1940	200	4600
QR1022.I18-125-C	3/16	1.25	4130 Steel	,188	,187	0.22	0.47	0.23	0.260	1.21	0.76	1.81	,1900/ ,1940	200	4600
QR1022.I18-150-C	3/16	1.50	4130 Steel	,188	,187	0.22	0.47	0.23	0.260	1.21	0.76	1.81	,1900/ ,1940	200	4600
QR1022.I18-175-C	3/16	1.75	4130 Steel	,188	,187	0.22	0.47	0.23	0.260	1.21	0.76	1.81	,1900/ ,1940	200	4600
QR1022.I18-200-C	3/16	2.00	4130 Steel	,188	,187	0.22	0.47	0.23	0.260	1.21	0.76	1.81	,1900/ ,1940	200	4600
QR1022.I18-250-C	3/16	2.50	4130 Steel	,188	,187	0.22	0.47	0.23	0.260	1.21	0.76	1.81	,1900/ ,1940	200	4600
QR1022.I18-300-C	3/16	3.00	4130 Steel	,188	,187	0.22	0.47	0.23	0.260	1.21	0.76	1.81	,1900/ ,1940	200	4600
QR1022.I18-350-C	3/16	3.50	4130 Steel	,188	,187	0.22	0.47	0.23	0.260	1.21	0.76	1.81	,1900/ ,1940	200	4600
QR1022.I18-400-C	3/16	4.00	4130 Steel	,188	,187	0.22	0.47	0.23	0.260	1.21	0.76	1.81	,1900/ ,1940	200	4600
QR1022.I25-050-C	1/4	0.50	4130 Steel	,248	,247	0.28	0.47	0.23	0.290	1.21	0.76	1.81	,2500/ ,2540	230	8200
QR1022.I25-075-C	1/4	0.75	4130 Steel	,248	,247	0.28	0.47	0.23	0.290	1.21	0.76	1.81	,2500/ ,2540	230	8200
QR1022.I25-100-C	1/4	1.00	4130 Steel	,248	,247	0.28	0.47	0.23	0.290	1.21	0.76	1.81	,2500/ ,2540	230	8200



# Quick Release Pins - Inch - T-handle steel pin

## Quick Release Pins

Order No.	d <sub>1</sub> nom.	l <sub>1</sub> grip +0.02 -0.00	Material	d <sub>1</sub> max.	d <sub>1</sub> min.	d <sub>2</sub> ±0.005	d <sub>3</sub>	d <sub>4</sub>	l <sub>2</sub> +0.000 -0.030	l <sub>3</sub>	l <sub>4</sub>	l <sub>5</sub>	Loc'n hole min.   max.	Pull out strength lb min.	Calc. double shear lb
QR1022.I25-125-C	1/4	1.25	4130 Steel	,2485	,2470	0.289	0.47	0.23	0.290	1.21	0.76	1.81	,2500/ ,2540	230	8200
QR1022.I25-150-C	1/4	1.50	4130 Steel	,2485	,2470	0.289	0.47	0.23	0.290	1.21	0.76	1.81	,2500/ ,2540	230	8200
QR1022.I25-175-C	1/4	1.75	4130 Steel	,2485	,2470	0.289	0.47	0.23	0.290	1.21	0.76	1.81	,2500/ ,2540	230	8200
QR1022.I25-200-C	1/4	2.00	4130 Steel	,2485	,2470	0.289	0.47	0.23	0.290	1.21	0.76	1.81	,2500/ ,2540	230	8200
QR1022.I25-250-C	1/4	2.50	4130 Steel	,2485	,2470	0.289	0.47	0.23	0.290	1.21	0.76	1.81	,2500/ ,2540	230	8200
QR1022.I25-300-C	1/4	3.00	4130 Steel	,2485	,2470	0.289	0.47	0.23	0.290	1.21	0.76	1.81	,2500/ ,2540	230	8200
QR1022.I25-350-C	1/4	3.50	4130 Steel	,2485	,2470	0.289	0.47	0.23	0.290	1.21	0.76	1.81	,2500/ ,2540	230	8200
QR1022.I25-400-C	1/4	4.00	4130 Steel	,2485	,2470	0.289	0.47	0.23	0.290	1.21	0.76	1.81	,2500/ ,2540	230	8200
QR1022.I31-050-C	5/16	0.50	4130 Steel	,3110	,3095	0.375	0.47	0.23	0.330	1.21	0.76	1.81	,3125/ ,3165	510	12800
QR1022.I31-075-C	5/16	0.75	4130 Steel	,3110	,3095	0.375	0.47	0.23	0.330	1.21	0.76	1.81	,3125/ ,3165	510	12800
QR1022.I31-100-C	5/16	1.00	4130 Steel	,3110	,3095	0.375	0.47	0.23	0.330	1.21	0.76	1.81	,3125/ ,3165	510	12800
QR1022.I31-125-C	5/16	1.25	4130 Steel	,3110	,3095	0.375	0.47	0.23	0.330	1.21	0.76	1.81	,3125/ ,3165	510	12800
QR1022.I31-150-C	5/16	1.50	4130 Steel	,3110	,3095	0.375	0.47	0.23	0.330	1.21	0.76	1.81	,3125/ ,3165	510	12800
QR1022.I31-175-C	5/16	1.75	4130 Steel	,3110	,3095	0.375	0.47	0.23	0.330	1.21	0.76	1.81	,3125/ ,3165	510	12800
QR1022.I31-200-C	5/16	2.00	4130 Steel	,3110	,3095	0.375	0.47	0.23	0.330	1.21	0.76	1.81	,3125/ ,3165	510	12800
QR1022.I31-250-C	5/16	2.50	4130 Steel	,3110	,3095	0.375	0.47	0.23	0.330	1.21	0.76	1.81	,3125/ ,3165	510	12800
QR1022.I31-300-C	5/16	3.00	4130 Steel	,3110	,3095	0.375	0.47	0.23	0.330	1.21	0.76	1.81	,3125/ ,3165	510	12800
QR1022.I31-350-C	5/16	3.50	4130 Steel	,3110	,3095	0.375	0.47	0.23	0.330	1.21	0.76	1.81	,3125/ ,3165	510	12800
QR1022.I31-400-C	5/16	4.00	4130 Steel	,3110	,3095	0.375	0.47	0.23	0.330	1.21	0.76	1.81	,3125/ ,3165	510	12800
QR1022.I37-050-C	3/8	0.50	4130 Steel	,3735	,3720	0.440	0.56	0.29	0.365	1.37	0.87	2.00	,3750/ ,3790	575	18400
QR1022.I37-075-C	3/8	0.75	4130 Steel	,3735	,3720	0.440	0.56	0.29	0.365	1.37	0.87	2.00	,3750/ ,3790	575	18400
QR1022.I37-100-C	3/8	1.00	4130 Steel	,3735	,3720	0.440	0.56	0.29	0.365	1.37	0.87	2.00	,3750/ ,3790	575	18400
QR1022.I37-125-C	3/8	1.25	4130 Steel	,3735	,3720	0.440	0.56	0.29	0.365	1.37	0.87	2.00	,3750/ ,3790	575	18400
QR1022.I37-150-C	3/8	1.50	4130 Steel	,3735	,3720	0.440	0.56	0.29	0.365	1.37	0.87	2.00	,3750/ ,3790	575	18400
QR1022.I37-175-C	3/8	1.75	4130 Steel	,3735	,3720	0.440	0.56	0.29	0.365	1.37	0.87	2.00	,3750/ ,3790	575	18400
QR1022.I37-200-C	3/8	2.00	4130 Steel	,3735	,3720	0.440	0.56	0.29	0.365	1.37	0.87	2.00	,3750/ ,3790	575	18400
QR1022.I37-250-C	3/8	2.50	4130 Steel	,3735	,3720	0.440	0.56	0.29	0.365	1.37	0.87	2.00	,3750/ ,3790	575	18400
QR1022.I37-300-C	3/8	3.00	4130 Steel	,3735	,3720	0.440	0.56	0.29	0.365	1.37	0.87	2.00	,3750/ ,3790	575	18400
QR1022.I37-350-C	3/8	3.50	4130 Steel	,3735	,3720	0.440	0.56	0.29	0.365	1.37	0.87	2.00	,3750/ ,3790	575	18400
QR1022.I37-400-C	3/8	4.00	4130 Steel	,3735	,3720	0.440	0.56	0.29	0.365	1.37	0.87	2.00	,3750/ ,3790	575	18400
QR1022.I50-100-C	1/2	1.00	4130 Steel	,4985	,4970	0.594	0.72	0.42	0.460	1.60	1.00	2.25	,5000/ ,5050	1160	32800
QR1022.I50-125-C	1/2	1.25	4130 Steel	,4985	,4970	0.594	0.72	0.42	0.460	1.60	1.00	2.25	,5000/ ,5050	1160	32800
QR1022.I50-150-C	1/2	1.50	4130 Steel	,4985	,4970	0.594	0.72	0.42	0.460	1.60	1.00	2.25	,5000/ ,5050	1160	32800

QUICK RELEASE PINS

# Quick Release Pins

# Quick Release Pins - Inch - T-handle steel pin



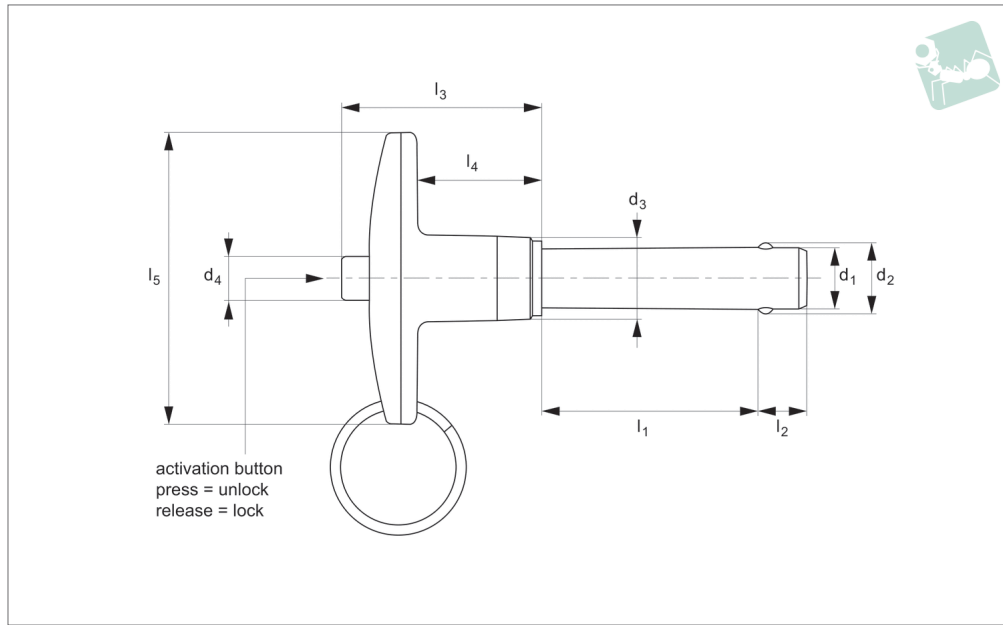
QUICK RELEASE PINS

Order No.	d <sub>1</sub> nom.	l <sub>1</sub> grip +0.02 - -0.00	Material	d <sub>1</sub> max.	d <sub>1</sub> min.	d <sub>2</sub> ±0.0 05	d <sub>3</sub>	d <sub>4</sub>	l <sub>2</sub> +0.000 - 0.030	l <sub>3</sub>	l <sub>4</sub>	l <sub>5</sub>	Loc'n hole min.  max.	Pull out strength lb min.	Calc. double shear lb
QR1022.I50-175-C	1/2	1.75	4130 Steel	,498 5	,497 0	0.59 4	0.72	0.42	0.460	1.60	1.00	2.25	,5000/ ,5050	1160	32800
QR1022.I50-200-C	1/2	2.00	4130 Steel	,498 5	,497 0	0.59 4	0.72	0.42	0.460	1.60	1.00	2.25	,5000/ ,5050	1160	32800
QR1022.I50-250-C	1/2	2.50	4130 Steel	,498 5	,497 0	0.59 4	0.72	0.42	0.460	1.60	1.00	2.25	,5000/ ,5050	1160	32800
QR1022.I50-300-C	1/2	3.00	4130 Steel	,498 5	,497 0	0.59 4	0.72	0.42	0.460	1.60	1.00	2.25	,5000/ ,5050	1160	32800
QR1022.I50-350-C	1/2	3.50	4130 Steel	,498 5	,497 0	0.59 4	0.72	0.42	0.460	1.60	1.00	2.25	,5000/ ,5050	1160	32800
QR1022.I50-400-C	1/2	4.00	4130 Steel	,498 5	,497 0	0.59 4	0.72	0.42	0.460	1.60	1.00	2.25	,5000/ ,5050	1160	32800
QR1022.I50-450-C	1/2	4.50	4130 Steel	,498 5	,497 0	0.59 4	0.72	0.42	0.460	1.60	1.00	2.25	,5000/ ,5050	1160	32800
QR1022.I50-500-C	1/2	5.00	4130 Steel	,498 5	,497 0	0.59 4	0.72	0.42	0.460	1.60	1.00	2.25	,5000/ ,5050	1160	32800
QR1022.I50-550-C	1/2	5.50	4130 Steel	,498 5	,497 0	0.59 4	0.72	0.42	0.460	1.60	1.00	2.25	,5000/ ,5050	1160	32800
QR1022.I50-600-C	1/2	6.00	4130 Steel	,498 5	,497 0	0.59 4	0.72	0.42	0.460	1.60	1.00	2.25	,5000/ ,5050	1160	32800
QR1022.I62-150-C	5/8	1.50	4130 Steel	,623 5	,622 0	0.75 0	0.94	0.54	0.580	1.77	1.11	3.07	,6250/ ,6300	2070	51200
QR1022.I62-175-C	5/8	1.75	4130 Steel	,623 5	,622 0	0.75 0	0.94	0.54	0.580	1.77	1.11	3.07	,6250/ ,6300	2070	51200
QR1022.I62-200-C	5/8	2.00	4130 Steel	,623 5	,622 0	0.75 0	0.94	0.54	0.580	1.77	1.11	3.07	,6250/ ,6300	2070	51200
QR1022.I62-250-C	5/8	2.50	4130 Steel	,623 5	,622 0	0.75 0	0.94	0.54	0.580	1.77	1.11	3.07	,6250/ ,6300	2070	51200
QR1022.I62-300-C	5/8	3.00	4130 Steel	,623 5	,622 0	0.75 0	0.94	0.54	0.580	1.77	1.11	3.07	,6250/ ,6300	2070	51200
QR1022.I62-350-C	5/8	3.50	4130 Steel	,623 5	,622 0	0.75 0	0.94	0.54	0.580	1.77	1.11	3.07	,6250/ ,6300	2070	51200
QR1022.I62-400-C	5/8	4.00	4130 Steel	,623 5	,622 0	0.75 0	0.94	0.54	0.580	1.77	1.11	3.07	,6250/ ,6300	2070	51200
QR1022.I62-450-C	5/8	4.50	4130 Steel	,623 5	,622 0	0.75 0	0.94	0.54	0.580	1.77	1.11	3.07	,6250/ ,6300	2070	51200
QR1022.I62-500-C	5/8	5.00	4130 Steel	,623 5	,622 0	0.75 0	0.94	0.54	0.580	1.77	1.11	3.07	,6250/ ,6300	2070	51200
QR1022.I62-550-C	5/8	5.50	4130 Steel	,623 5	,622 0	0.75 0	0.94	0.54	0.580	1.77	1.11	3.07	,6250/ ,6300	2070	51200
QR1022.I62-600-C	5/8	6.00	4130 Steel	,623 5	,622 0	0.75 0	0.94	0.54	0.580	1.77	1.11	3.07	,6250/ ,6300	2070	51200



# Quick Release Pins - Inch - T-handle stainless pin

# Quick Release Pins



## QR1024

QUICK RELEASE PINS

### Material

Pin: stainless steel, AISI 304 (DIN 1.4301) or AISI 303 (DIN 1.4305), passivated.  
Tensile strength 500 N/mm<sup>2</sup> min. RoHS compliant.  
Handle: Alu. 380 die cast (DIN AlSi9Cu3), black anodised (RAL 9003).  
Actuator button: Alu. 2024-T4 (DIN AlCuMg2), anodised blue or clear.

Internal spindle, balls and split ring (supplied); from stainless steel.

### Technical Notes

Pressing = unlocking.  
Releasing = locking.  
Temperature range -30°C to +150°C  
**Supplied with split ring.**

### Tips

For quick fastening and locking frequently repeated connections.  
For lanyards & retaining cables see part nos. L to LA1224. For easy install locating bushes and end caps see part nos. LA1260 to LA1355.

Order No.	d <sub>1</sub> nom.	l <sub>1</sub> grip +0.02 -0.00	Material	d <sub>1</sub> max.	d <sub>1</sub> min.	d <sub>2</sub> ±0.005	d <sub>3</sub>	d <sub>4</sub>	l <sub>2</sub> +0.000 -0.030	l <sub>3</sub>	l <sub>4</sub>	l <sub>5</sub>	Loc'n hole min.  max.	Pull out strength lb min.	Calc. double shear lb
QR1024.I25-050-S	1/4	0.50	304 SS	,2485	,2470	0.289	0.47	0.23	0.290	1.21	0.76	1.81	,2500/ ,2540	230	2200
QR1024.I25-075-S	1/4	0.75	304 SS	,2485	,2470	0.289	0.47	0.23	0.290	1.21	0.76	1.81	,2500/ ,2540	230	2200
QR1024.I25-100-S	1/4	1.00	304 SS	,2485	,2470	0.289	0.47	0.23	0.290	1.21	0.76	1.81	,2500/ ,2540	230	2200
QR1024.I25-125-S	1/4	1.25	304 SS	,2485	,2470	0.289	0.47	0.23	0.290	1.21	0.76	1.81	,2500/ ,2540	230	2200
QR1024.I25-150-S	1/4	1.50	304 SS	,2485	,2470	0.289	0.47	0.23	0.290	1.21	0.76	1.81	,2500/ ,2540	230	2200
QR1024.I25-175-S	1/4	1.75	304 SS	,2485	,2470	0.289	0.47	0.23	0.290	1.21	0.76	1.81	,2500/ ,2540	230	2200
QR1024.I25-200-S	1/4	2.00	304 SS	,2485	,2470	0.289	0.47	0.23	0.290	1.21	0.76	1.81	,2500/ ,2540	230	2200
QR1024.I25-250-S	1/4	2.50	304 SS	,2485	,2470	0.289	0.47	0.23	0.290	1.21	0.76	1.81	,2500/ ,2540	230	2200
QR1024.I25-300-S	1/4	3.00	304 SS	,2485	,2470	0.289	0.47	0.23	0.290	1.21	0.76	1.81	,2500/ ,2540	230	2200
QR1024.I25-350-S	1/4	3.50	304 SS	,2485	,2470	0.289	0.47	0.23	0.290	1.21	0.76	1.81	,2500/ ,2540	230	2200
QR1024.I25-400-S	1/4	4.00	304 SS	,2485	,2470	0.289	0.47	0.23	0.290	1.21	0.76	1.81	,2500/ ,2540	230	2200
QR1024.I31-050-S	5/16	0.50	304 SS	,3110	,3095	0.375	0.47	0.23	0.330	1.21	0.76	1.81	,3125/ ,3165	510	3500
QR1024.I31-075-S	5/16	0.75	304 SS	,3110	,3095	0.375	0.47	0.23	0.330	1.21	0.76	1.81	,3125/ ,3165	510	3500

# Quick Release Pins

# Quick Release Pins - Inch - T-handle stainless pin



QUICK RELEASE PINS

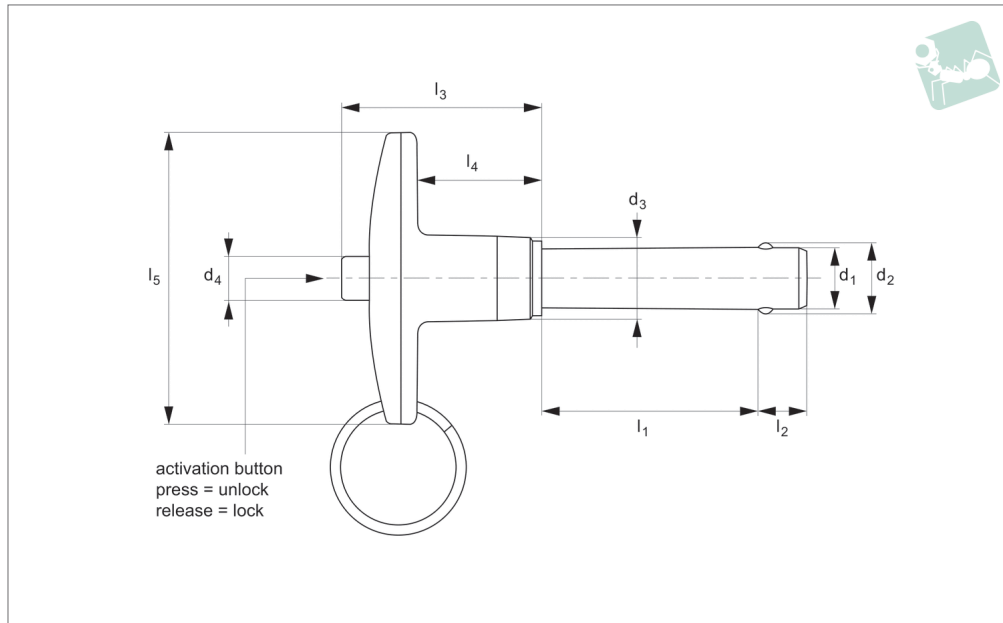
Order No.	d <sub>1</sub> nom.	l <sub>1</sub> grip +0.02 - -0.00	Material	d <sub>1</sub> max.	d <sub>1</sub> min.	d <sub>2</sub> ±0.0 05	d <sub>3</sub>	d <sub>4</sub>	l <sub>2</sub> +0.000 - -0.030	l <sub>3</sub>	l <sub>4</sub>	l <sub>5</sub>	Loc'n hole min.  max.	Pull out strength lb min.	Calc. double shear lb
QR1024.I31-100-S	5/16	1.00	304 SS	,311 0	,309 5	0.37 5	0.47	0.23	0.330	1.21	0.76	1.81	,3125/ ,3165	510	3500
QR1024.I31-125-S	5/16	1.25	304 SS	,311 0	,309 5	0.37 5	0.47	0.23	0.330	1.21	0.76	1.81	,3125/ ,3165	510	3500
QR1024.I31-150-S	5/16	1.50	304 SS	,311 0	,309 5	0.37 5	0.47	0.23	0.330	1.21	0.76	1.81	,3125/ ,3165	510	3500
QR1024.I31-175-S	5/16	1.75	304 SS	,311 0	,309 5	0.37 5	0.47	0.23	0.330	1.21	0.76	1.81	,3125/ ,3165	510	3500
QR1024.I31-200-S	5/16	2.00	304 SS	,311 0	,309 5	0.37 5	0.47	0.23	0.330	1.21	0.76	1.81	,3125/ ,3165	510	3500
QR1024.I31-250-S	5/16	2.50	304 SS	,311 0	,309 5	0.37 5	0.47	0.23	0.330	1.21	0.76	1.81	,3125/ ,3165	510	3500
QR1024.I31-300-S	5/16	3.00	304 SS	,311 0	,309 5	0.37 5	0.47	0.23	0.330	1.21	0.76	1.81	,3125/ ,3165	510	3500
QR1024.I31-350-S	5/16	3.50	304 SS	,311 0	,309 5	0.37 5	0.47	0.23	0.330	1.21	0.76	1.81	,3125/ ,3165	510	3500
QR1024.I31-400-S	5/16	4.00	304 SS	,311 0	,309 5	0.37 5	0.47	0.23	0.330	1.21	0.76	1.81	,3125/ ,3165	510	3500
QR1024.I37-050-S	3/8	0.50	304 SS	,373 5	,372 0	0.44 0	0.56	0.29	0.365	1.37	0.87	2.00	,3750/ ,3790	575	4500
QR1024.I37-075-S	3/8	0.75	304 SS	,373 5	,372 0	0.44 0	0.56	0.29	0.365	1.37	0.87	2.00	,3750/ ,3790	575	4500
QR1024.I37-100-S	3/8	1.00	304 SS	,373 5	,372 0	0.44 0	0.56	0.29	0.365	1.37	0.87	2.00	,3750/ ,3790	575	4500
QR1024.I37-125-S	3/8	1.25	304 SS	,373 5	,372 0	0.44 0	0.56	0.29	0.365	1.37	0.87	2.00	,3750/ ,3790	575	4500
QR1024.I37-150-S	3/8	1.50	304 SS	,373 5	,372 0	0.44 0	0.56	0.29	0.365	1.37	0.87	2.00	,3750/ ,3790	575	4500
QR1024.I37-175-S	3/8	1.75	304 SS	,373 5	,372 0	0.44 0	0.56	0.29	0.365	1.37	0.87	2.00	,3750/ ,3790	575	4500
QR1024.I37-200-S	3/8	2.00	304 SS	,373 5	,372 0	0.44 0	0.56	0.29	0.365	1.37	0.87	2.00	,3750/ ,3790	575	4500
QR1024.I37-250-S	3/8	2.50	304 SS	,373 5	,372 0	0.44 0	0.56	0.29	0.365	1.37	0.87	2.00	,3750/ ,3790	575	4500
QR1024.I37-300-S	3/8	3.00	304 SS	,373 5	,372 0	0.44 0	0.56	0.29	0.365	1.37	0.87	2.00	,3750/ ,3790	575	4500
QR1024.I37-350-S	3/8	3.50	304 SS	,373 5	,372 0	0.44 0	0.56	0.29	0.365	1.37	0.87	2.00	,3750/ ,3790	575	4500
QR1024.I37-400-S	3/8	4.00	304 SS	,373 5	,372 0	0.44 0	0.56	0.29	0.365	1.37	0.87	2.00	,3750/ ,3790	575	4500
QR1024.I50-100-S	1/2	1.00	304 SS	,498 5	,497 0	0.59 4	0.72	0.42	0.460	1.60	1.00	2.25	,5000/ ,5050	1160	11500
QR1024.I50-125-S	1/2	1.25	304 SS	,498 5	,497 0	0.59 4	0.72	0.42	0.460	1.60	1.00	2.25	,5000/ ,5050	1160	11500
QR1024.I50-150-S	1/2	1.50	304 SS	,498 5	,497 0	0.59 4	0.72	0.42	0.460	1.60	1.00	2.25	,5000/ ,5050	1160	11500
QR1024.I50-175-S	1/2	1.75	304 SS	,498 5	,497 0	0.59 4	0.72	0.42	0.460	1.60	1.00	2.25	,5000/ ,5050	1160	11500
QR1024.I50-200-S	1/2	2.00	304 SS	,498 5	,497 0	0.59 4	0.72	0.42	0.460	1.60	1.00	2.25	,5000/ ,5050	1160	11500
QR1024.I50-250-S	1/2	2.50	304 SS	,498 5	,497 0	0.59 4	0.72	0.42	0.460	1.60	1.00	2.25	,5000/ ,5050	1160	11500
QR1024.I50-300-S	1/2	3.00	304 SS	,498 5	,497 0	0.59 4	0.72	0.42	0.460	1.60	1.00	2.25	,5000/ ,5050	1160	11500
QR1024.I50-350-S	1/2	3.50	304 SS	,498 5	,497 0	0.59 4	0.72	0.42	0.460	1.60	1.00	2.25	,5000/ ,5050	1160	11500
QR1024.I50-400-S	1/2	4.00	304 SS	,498 5	,497 0	0.59 4	0.72	0.42	0.460	1.60	1.00	2.25	,5000/ ,5050	1160	11500
QR1024.I50-450-S	1/2	4.50	304 SS	,498 5	,497 0	0.59 4	0.72	0.42	0.460	1.60	1.00	2.25	,5000/ ,5050	1160	11500
QR1024.I50-500-S	1/2	5.00	304 SS	,498 5	,497 0	0.59 4	0.72	0.42	0.460	1.60	1.00	2.25	,5000/ ,5050	1160	11500
QR1024.I50-550-S	1/2	5.50	304 SS	,498 5	,497 0	0.59 4	0.72	0.42	0.460	1.60	1.00	2.25	,5000/ ,5050	1160	11500
QR1024.I50-600-S	1/2	6.00	304 SS	,498 5	,497 0	0.59 4	0.72	0.42	0.460	1.60	1.00	2.25	,5000/ ,5050	1160	11500





# Quick Release Pins - Inch - T-handle precipitation hardened stainless pin

# Quick Release Pins



## QR1026

QUICK RELEASE PINS

### Material

Pin: stainless steel 17-4PH (DIN 1.4542, AISI 630), precipitation hardened, passivated. Tensile strength 1,300 N/mm<sup>2</sup> min. HRC 40. RoHS compliant.  
Handle: Alu. 380 die cast (DIN AlSi9Cu3), black anodised (RAL 9003).  
Actuator button: Alu. 2024-T4 (DIN AlCuMg2), anodised blue or clear.

Internal spindle, balls and split ring (supplied); from stainless steel.

### Technical Notes

Pressing = unlocking.  
Releasing = locking.  
Temperature range -30°C to +150°C  
**Supplied with split ring.**

### Tips

For quick fastening and locking frequently repeated connections.  
For lanyards & retaining cables see part nos. L to LA1224. For easy install locating bushes and end caps see part nos. LA1260 to LA1355.

Order No.	d <sub>1</sub> nom.	l <sub>1</sub> grip +0.02 -0.00	Material	d <sub>1</sub> max.	d <sub>1</sub> min.	d <sub>2</sub> ±0.0 05	d <sub>3</sub>	d <sub>4</sub>	l <sub>2</sub> +0.000 -0.030	l <sub>3</sub>	l <sub>4</sub>	l <sub>5</sub>	Loc'n hole min.   max.	Pull out strength lb min.	Calc. double shear lb
QR1026.I18-050-T	3/16	0.50	17-4 PH	,188 5	,187 0	0.22 0	0.47	0.23	0.260	1.21	0.76	1.81	,1900/ ,1940	200	5150
QR1026.I18-075-T	3/16	0.75	17-4 PH	,188 5	,187 0	0.22 0	0.47	0.23	0.260	1.21	0.76	1.81	,1900/ ,1940	200	5150
QR1026.I18-100-T	3/16	1.00	17-4 PH	,188 5	,187 0	0.22 0	0.47	0.23	0.260	1.21	0.76	1.81	,1900/ ,1940	200	5150
QR1026.I18-125-T	3/16	1.25	17-4 PH	,188 5	,187 0	0.22 0	0.47	0.23	0.260	1.21	0.76	1.81	,1900/ ,1940	200	5150
QR1026.I18-150-T	3/16	1.50	17-4 PH	,188 5	,187 0	0.22 0	0.47	0.23	0.260	1.21	0.76	1.81	,1900/ ,1940	200	5150
QR1026.I18-175-T	3/16	1.75	17-4 PH	,188 5	,187 0	0.22 0	0.47	0.23	0.260	1.21	0.76	1.81	,1900/ ,1940	200	5150
QR1026.I18-200-T	3/16	2.00	17-4 PH	,188 5	,187 0	0.22 0	0.47	0.23	0.260	1.21	0.76	1.81	,1900/ ,1940	200	5150
QR1026.I18-250-T	3/16	2.50	17-4 PH	,188 5	,187 0	0.22 0	0.47	0.23	0.260	1.21	0.76	1.81	,1900/ ,1940	200	5150
QR1026.I18-300-T	3/16	3.00	17-4 PH	,188 5	,187 0	0.22 0	0.47	0.23	0.260	1.21	0.76	1.81	,1900/ ,1940	200	5150
QR1026.I18-350-T	3/16	3.50	17-4 PH	,188 5	,187 0	0.22 0	0.47	0.23	0.260	1.21	0.76	1.81	,1900/ ,1940	200	5150
QR1026.I18-400-T	3/16	4.00	17-4 PH	,188 5	,187 0	0.22 0	0.47	0.23	0.260	1.21	0.76	1.81	,1900/ ,1940	200	5150
QR1026.I25-050-T	1/4	0.50	17-4 PH	,248 5	,247 0	0.28 9	0.47	0.23	0.290	1.21	0.76	1.81	,2500/ ,2540	230	9200
QR1026.I25-075-T	1/4	0.75	17-4 PH	,248 5	,247 0	0.28 9	0.47	0.23	0.290	1.21	0.76	1.81	,2500/ ,2540	230	9200

# Quick Release Pins

# Quick Release Pins - Inch - T-handle precipitation hardened stainless pin



QUICK RELEASE PINS

Order No.	d <sub>1</sub> nom.	l <sub>1</sub> grip +0.02 - -0.00	Material	d <sub>1</sub> max.	d <sub>1</sub> min.	d <sub>2</sub> ±0.0 05	d <sub>3</sub>	d <sub>4</sub>	l <sub>2</sub> +0.000 - -0.030	l <sub>3</sub>	l <sub>4</sub>	l <sub>5</sub>	Loc'n hole min.  max.	Pull out strength lb min.	Calc. double shear lb
QR1026.I25-100-T	1/4	1.00	17-4 PH	,248 5	,247 0	0.28 9	0.47	0.23	0.290	1.21	0.76	1.81	,2500/ ,2540	230	9200
QR1026.I25-125-T	1/4	1.25	17-4 PH	,248 5	,247 0	0.28 9	0.47	0.23	0.290	1.21	0.76	1.81	,2500/ ,2540	230	9200
QR1026.I25-150-T	1/4	1.50	17-4 PH	,248 5	,247 0	0.28 9	0.47	0.23	0.290	1.21	0.76	1.81	,2500/ ,2540	230	9200
QR1026.I25-175-T	1/4	1.75	17-4 PH	,248 5	,247 0	0.28 9	0.47	0.23	0.290	1.21	0.76	1.81	,2500/ ,2540	230	9200
QR1026.I25-200-T	1/4	2.00	17-4 PH	,248 5	,247 0	0.28 9	0.47	0.23	0.290	1.21	0.76	1.81	,2500/ ,2540	230	9200
QR1026.I25-250-T	1/4	2.50	17-4 PH	,248 5	,247 0	0.28 9	0.47	0.23	0.290	1.21	0.76	1.81	,2500/ ,2540	230	9200
QR1026.I25-300-T	1/4	3.00	17-4 PH	,248 5	,247 0	0.28 9	0.47	0.23	0.290	1.21	0.76	1.81	,2500/ ,2540	230	9200
QR1026.I25-350-T	1/4	3.50	17-4 PH	,248 5	,247 0	0.28 9	0.47	0.23	0.290	1.21	0.76	1.81	,2500/ ,2540	230	9200
QR1026.I25-400-T	1/4	4.00	17-4 PH	,248 5	,247 0	0.28 9	0.47	0.23	0.290	1.21	0.76	1.81	,2500/ ,2540	230	9200
QR1026.I31-050-T	5/16	0.50	17-4 PH	,311 0	,309 5	0.37 5	0.47	0.23	0.330	1.21	0.76	1.81	,3125/ ,3165	510	14400
QR1026.I31-075-T	5/16	0.75	17-4 PH	,311 0	,309 5	0.37 5	0.47	0.23	0.330	1.21	0.76	1.81	,3125/ ,3165	510	14400
QR1026.I31-100-T	5/16	1.00	17-4 PH	,311 0	,309 5	0.37 5	0.47	0.23	0.330	1.21	0.76	1.81	,3125/ ,3165	510	14400
QR1026.I31-125-T	5/16	1.25	17-4 PH	,311 0	,309 5	0.37 5	0.47	0.23	0.330	1.21	0.76	1.81	,3125/ ,3165	510	14400
QR1026.I31-150-T	5/16	1.50	17-4 PH	,311 0	,309 5	0.37 5	0.47	0.23	0.330	1.21	0.76	1.81	,3125/ ,3165	510	14400
QR1026.I31-175-T	5/16	1.75	17-4 PH	,311 0	,309 5	0.37 5	0.47	0.23	0.330	1.21	0.76	1.81	,3125/ ,3165	510	14400
QR1026.I31-200-T	5/16	2.00	17-4 PH	,311 0	,309 5	0.37 5	0.47	0.23	0.330	1.21	0.76	1.81	,3125/ ,3165	510	14400
QR1026.I31-250-T	5/16	2.50	17-4 PH	,311 0	,309 5	0.37 5	0.47	0.23	0.330	1.21	0.76	1.81	,3125/ ,3165	510	14400
QR1026.I31-300-T	5/16	3.00	17-4 PH	,311 0	,309 5	0.37 5	0.47	0.23	0.330	1.21	0.76	1.81	,3125/ ,3165	510	14400
QR1026.I31-350-T	5/16	3.50	17-4 PH	,311 0	,309 5	0.37 5	0.47	0.23	0.330	1.21	0.76	1.81	,3125/ ,3165	510	14400
QR1026.I31-400-T	5/16	4.00	17-4 PH	,311 0	,309 5	0.37 5	0.47	0.23	0.330	1.21	0.76	1.81	,3125/ ,3165	510	14400
QR1026.I37-050-T	3/8	0.50	17-4 PH	,373 5	,372 0	0.44 0	0.56	0.29	0.365	1.37	0.87	2.00	,3750/ ,3790	575	20600
QR1026.I37-075-T	3/8	0.75	17-4 PH	,373 5	,372 0	0.44 0	0.56	0.29	0.365	1.37	0.87	2.00	,3750/ ,3790	575	20600
QR1026.I37-100-T	3/8	1.00	17-4 PH	,373 5	,372 0	0.44 0	0.56	0.29	0.365	1.37	0.87	2.00	,3750/ ,3790	575	20600
QR1026.I37-125-T	3/8	1.25	17-4 PH	,373 5	,372 0	0.44 0	0.56	0.29	0.365	1.37	0.87	2.00	,3750/ ,3790	575	20600
QR1026.I37-150-T	3/8	1.50	17-4 PH	,373 5	,372 0	0.44 0	0.56	0.29	0.365	1.37	0.87	2.00	,3750/ ,3790	575	20600
QR1026.I37-175-T	3/8	1.75	17-4 PH	,373 5	,372 0	0.44 0	0.56	0.29	0.365	1.37	0.87	2.00	,3750/ ,3790	575	20600
QR1026.I37-200-T	3/8	2.00	17-4 PH	,373 5	,372 0	0.44 0	0.56	0.29	0.365	1.37	0.87	2.00	,3750/ ,3790	575	20600
QR1026.I37-250-T	3/8	2.50	17-4 PH	,373 5	,372 0	0.44 0	0.56	0.29	0.365	1.37	0.87	2.00	,3750/ ,3790	575	20600
QR1026.I37-300-T	3/8	3.00	17-4 PH	,373 5	,372 0	0.44 0	0.56	0.29	0.365	1.37	0.87	2.00	,3750/ ,3790	575	20600
QR1026.I37-350-T	3/8	3.50	17-4 PH	,373 5	,372 0	0.44 0	0.56	0.29	0.365	1.37	0.87	2.00	,3750/ ,3790	575	20600
QR1026.I37-400-T	3/8	4.00	17-4 PH	,373 5	,372 0	0.44 0	0.56	0.29	0.365	1.37	0.87	2.00	,3750/ ,3790	575	20600
QR1026.I50-100-T	1/2	1.00	17-4 PH	,498 5	,497 0	0.59 4	0.72	0.42	0.460	1.60	1.00	2.25	,5000/ ,5050	1160	36800
QR1026.I50-125-T	1/2	1.25	17-4 PH	,498 5	,497 0	0.59 4	0.72	0.42	0.460	1.60	1.00	2.25	,5000/ ,5050	1160	36800



# Quick Release Pins - Inch - T-handle

precipitation hardened stainless pin

## Quick Release Pins

Order No.	d <sub>1</sub> nom.	l <sub>1</sub> grip +0.02 - -0.00	Material	d <sub>1</sub> max.	d <sub>1</sub> min.	d <sub>2</sub> ±0.0 05	d <sub>3</sub>	d <sub>4</sub>	l <sub>2</sub> +0.000 - 0.030	l <sub>3</sub>	l <sub>4</sub>	l <sub>5</sub>	Loc'n hole min.  max.	Pull out strength lb min.	Calc. double shear lb
QR1026.I50-150-T	1/2	1.50	17-4 PH	,498 5	,497 0	0.59 4	0.72	0.42	0.460	1.60	1.00	2.25	,5000/ ,5050	1160	36800
QR1026.I50-175-T	1/2	1.75	17-4 PH	,498 5	,497 0	0.59 4	0.72	0.42	0.460	1.60	1.00	2.25	,5000/ ,5050	1160	36800
QR1026.I50-200-T	1/2	2.00	17-4 PH	,498 5	,497 0	0.59 4	0.72	0.42	0.460	1.60	1.00	2.25	,5000/ ,5050	1160	36800
QR1026.I50-250-T	1/2	2.50	17-4 PH	,498 5	,497 0	0.59 4	0.72	0.42	0.460	1.60	1.00	2.25	,5000/ ,5050	1160	36800
QR1026.I50-300-T	1/2	3.00	17-4 PH	,498 5	,497 0	0.59 4	0.72	0.42	0.460	1.60	1.00	2.25	,5000/ ,5050	1160	36800
QR1026.I50-350-T	1/2	3.50	17-4 PH	,498 5	,497 0	0.59 4	0.72	0.42	0.460	1.60	1.00	2.25	,5000/ ,5050	1160	36800
QR1026.I50-400-T	1/2	4.00	17-4 PH	,498 5	,497 0	0.59 4	0.72	0.42	0.460	1.60	1.00	2.25	,5000/ ,5050	1160	36800
QR1026.I50-450-T	1/2	4.50	17-4 PH	,498 5	,497 0	0.59 4	0.72	0.42	0.460	1.60	1.00	2.25	,5000/ ,5050	1160	36800
QR1026.I50-500-T	1/2	5.00	17-4 PH	,498 5	,497 0	0.59 4	0.72	0.42	0.460	1.60	1.00	2.25	,5000/ ,5050	1160	36800
QR1026.I50-550-T	1/2	5.50	17-4 PH	,498 5	,497 0	0.59 4	0.72	0.42	0.460	1.60	1.00	2.25	,5000/ ,5050	1160	36800
QR1026.I50-600-T	1/2	6.00	17-4 PH	,498 5	,497 0	0.59 4	0.72	0.42	0.460	1.60	1.00	2.25	,5000/ ,5050	1160	36800
QR1026.I62-150-T	5/8	1.50	17-4 PH	,623 5	,622 0	0.75 0	0.94	0.54	0.580	1.77	1.11	3.07	,6250/ ,6300	2070	57500
QR1026.I62-175-T	5/8	1.75	17-4 PH	,623 5	,622 0	0.75 0	0.94	0.54	0.580	1.77	1.11	3.07	,6250/ ,6300	2070	57500
QR1026.I62-200-T	5/8	2.00	17-4 PH	,623 5	,622 0	0.75 0	0.94	0.54	0.580	1.77	1.11	3.07	,6250/ ,6300	2070	57500
QR1026.I62-250-T	5/8	2.50	17-4 PH	,623 5	,622 0	0.75 0	0.94	0.54	0.580	1.77	1.11	3.07	,6250/ ,6300	2070	57500
QR1026.I62-300-T	5/8	3.00	17-4 PH	,623 5	,622 0	0.75 0	0.94	0.54	0.580	1.77	1.11	3.07	,6250/ ,6300	2070	57500
QR1026.I62-350-T	5/8	3.50	17-4 PH	,623 5	,622 0	0.75 0	0.94	0.54	0.580	1.77	1.11	3.07	,6250/ ,6300	2070	57500
QR1026.I62-400-T	5/8	4.00	17-4 PH	,623 5	,622 0	0.75 0	0.94	0.54	0.580	1.77	1.11	3.07	,6250/ ,6300	2070	57500
QR1026.I62-450-T	5/8	4.50	17-4 PH	,623 5	,622 0	0.75 0	0.94	0.54	0.580	1.77	1.11	3.07	,6250/ ,6300	2070	57500
QR1026.I62-500-T	5/8	5.00	17-4 PH	,623 5	,622 0	0.75 0	0.94	0.54	0.580	1.77	1.11	3.07	,6250/ ,6300	2070	57500
QR1026.I62-550-T	5/8	5.50	17-4 PH	,623 5	,622 0	0.75 0	0.94	0.54	0.580	1.77	1.11	3.07	,6250/ ,6300	2070	57500
QR1026.I62-600-T	5/8	6.00	17-4 PH	,623 5	,622 0	0.75 0	0.94	0.54	0.580	1.77	1.11	3.07	,6250/ ,6300	2070	57500

QUICK RELEASE PINS