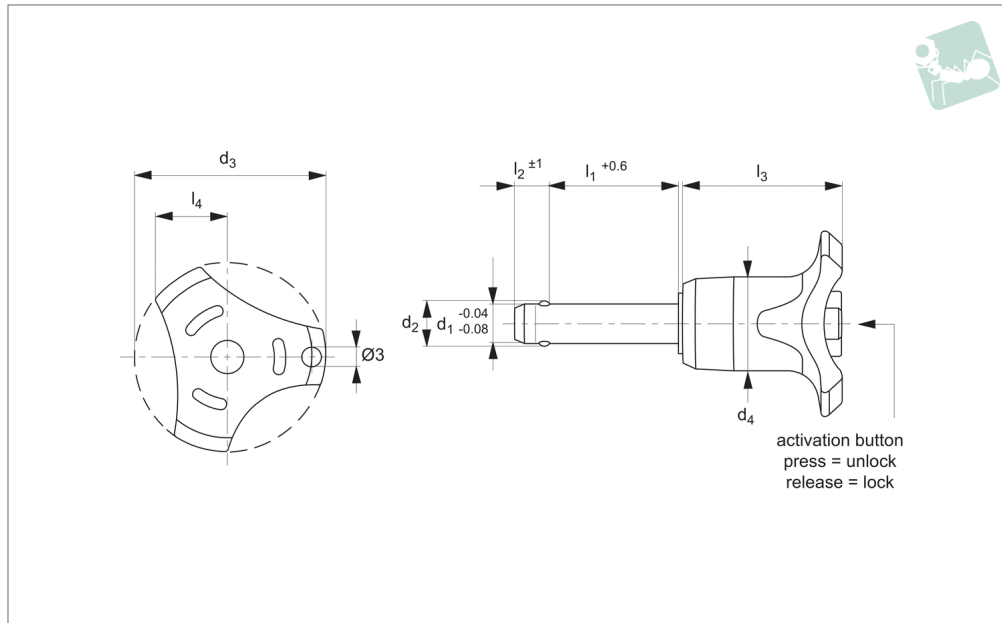




Ball Lock Pins - Single Acting - Black

self-locking - stainless steel 1.4305 (AISI 303)

Quick Release Pins



QR1704

QUICK RELEASE PINS

Material

Pin: stainless steel 1.4542 (AISI 630)
 Ball: stainless steel 1.3541
 Spring: stainless steel.
 Handle: thermoplastic PA 6.
 Available colours: grey/orange, grey/blue, grey/grey.

Technical Notes

Pressing = unlocking.

Releasing = locking.

Temperature resistance -30°C to +80°C.
 For quick fastening and locking of frequently repeated connections.

Tips

For lanyards & retaining cables see part no.LA1066-LA1092. Easy install locating bushes available see part no.LA1310 + .

Important Notes

*Shearing resistance similar to DIN 50141.
 Also available in stainless grade 1.4542 (AISI 630) for higher shear forces, see part no.33060.

| Order No. | d ₁ | l ₁ | d ₂ | d ₃ | d ₄ | l ₂ | l ₃ | l ₄ | Loc'n hole tol. H11 | Shearing resistance, double kN min. | Weight g |
|------------------|----------------|----------------|----------------|----------------|----------------|----------------|----------------|----------------|---------------------|-------------------------------------|----------|
| QR1704.M05-010-S | 5 | 10 | 5.5 | 33.2 | 14.5 | 6.0 | 26.7 | 10.8 | 5 | 14 | 15 |
| QR1704.M05-015-S | 5 | 15 | 5.5 | 33.2 | 14.5 | 6.0 | 26.7 | 10.8 | 5 | 14 | 15 |
| QR1704.M05-020-S | 5 | 20 | 5.5 | 33.2 | 14.5 | 6.0 | 26.7 | 10.8 | 5 | 14 | 16 |
| QR1704.M05-030-S | 5 | 30 | 5.5 | 33.2 | 14.5 | 6.0 | 26.7 | 10.8 | 5 | 14 | 18 |
| QR1704.M06-010-S | 6 | 10 | 7.0 | 33.2 | 14.5 | 7.0 | 26.7 | 10.8 | 6 | 21 | 16 |
| QR1704.M06-015-S | 6 | 15 | 7.0 | 33.2 | 14.5 | 7.0 | 26.7 | 10.8 | 6 | 21 | 17 |
| QR1704.M06-020-S | 6 | 20 | 7.0 | 33.2 | 14.5 | 7.0 | 26.7 | 10.8 | 6 | 21 | 18 |
| QR1704.M06-025-S | 6 | 25 | 7.0 | 33.2 | 14.5 | 7.0 | 26.7 | 10.8 | 6 | 21 | 19 |
| QR1704.M06-030-S | 6 | 30 | 7.0 | 33.2 | 14.5 | 7.0 | 26.7 | 10.8 | 6 | 21 | 20 |
| QR1704.M06-035-S | 6 | 35 | 7.0 | 33.2 | 14.5 | 7.0 | 26.7 | 10.8 | 6 | 21 | 21 |
| QR1704.M06-045-S | 6 | 45 | 7.0 | 33.2 | 14.5 | 7.0 | 26.7 | 10.8 | 6 | 21 | 23 |
| QR1704.M06-050-S | 6 | 50 | 7.0 | 33.2 | 14.5 | 7.0 | 26.7 | 10.8 | 6 | 21 | 24 |
| QR1704.M08-020-S | 8 | 20 | 9.6 | 39.2 | 19.3 | 8.2 | 33.3 | 13.4 | 8 | 38 | 40 |
| QR1704.M08-025-S | 8 | 25 | 9.6 | 39.2 | 19.3 | 8.2 | 33.3 | 13.4 | 8 | 38 | 42 |
| QR1704.M08-030-S | 8 | 30 | 9.6 | 39.2 | 19.3 | 8.2 | 33.3 | 13.4 | 8 | 38 | 44 |
| QR1704.M08-035-S | 8 | 35 | 9.6 | 39.2 | 19.3 | 8.2 | 33.3 | 13.4 | 8 | 38 | 46 |
| QR1704.M08-040-S | 8 | 40 | 9.6 | 39.2 | 19.3 | 8.2 | 33.3 | 13.4 | 8 | 38 | 47 |
| QR1704.M08-045-S | 8 | 45 | 9.6 | 39.2 | 19.3 | 8.2 | 33.3 | 13.4 | 8 | 38 | 49 |
| QR1704.M08-050-S | 8 | 50 | 9.6 | 39.2 | 19.3 | 8.2 | 33.3 | 13.4 | 8 | 38 | 51 |
| QR1704.M10-020-S | 10 | 20 | 12.0 | 39.2 | 19.3 | 9.6 | 33.3 | 13.4 | 10 | 60 | 47 |
| QR1704.M10-025-S | 10 | 25 | 12.0 | 39.2 | 19.3 | 9.6 | 33.3 | 13.4 | 10 | 60 | 49 |
| QR1704.M10-030-S | 10 | 30 | 12.0 | 39.2 | 19.3 | 9.6 | 33.3 | 13.4 | 10 | 60 | 53 |
| QR1704.M10-035-S | 10 | 35 | 12.0 | 39.2 | 19.3 | 9.6 | 33.3 | 13.4 | 10 | 60 | 55 |
| QR1704.M10-040-S | 10 | 40 | 12.0 | 39.2 | 19.3 | 9.6 | 33.3 | 13.4 | 10 | 60 | 58 |
| QR1704.M10-045-S | 10 | 45 | 12.0 | 39.2 | 19.3 | 9.6 | 33.3 | 13.4 | 10 | 60 | 61 |
| QR1704.M10-050-S | 10 | 50 | 12.0 | 39.2 | 19.3 | 9.6 | 33.3 | 13.4 | 10 | 60 | 64 |
| QR1704.M10-060-S | 10 | 60 | 12.0 | 39.2 | 19.3 | 9.6 | 33.3 | 13.4 | 10 | 60 | 70 |

Quick Release Pins

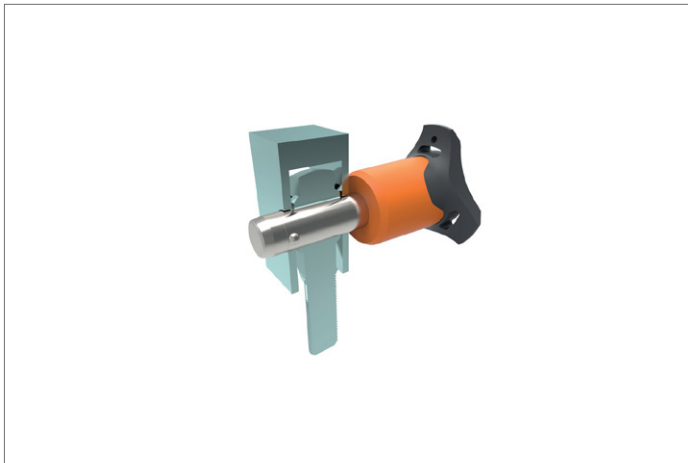
Ball Lock Pins - Single Acting - Black

self-locking - stainless steel 1.4305 (AISI 303)



QUICK RELEASE PINS

| Order No. | d ₁ | l ₁ | d ₂ | d ₃ | d ₄ | l ₂ | l ₃ | l ₄ | Loc'n hole tol. H11 | Shearing resistance, double kN min. | Weight g |
|------------------|----------------|----------------|----------------|----------------|----------------|----------------|----------------|----------------|---------------------|-------------------------------------|----------|
| QR1704.M12-025-S | 12 | 25 | 14.5 | 47.6 | 26.3 | 10.6 | 39.7 | 16.7 | 12 | 87 | 96 |
| QR1704.M12-035-S | 12 | 35 | 14.5 | 47.6 | 26.3 | 10.6 | 39.7 | 16.7 | 12 | 87 | 105 |
| QR1704.M12-045-S | 12 | 45 | 14.5 | 47.6 | 26.3 | 10.6 | 39.7 | 16.7 | 12 | 87 | 113 |
| QR1704.M12-050-S | 12 | 50 | 14.5 | 47.6 | 26.3 | 10.6 | 39.7 | 16.7 | 12 | 87 | 117 |
| QR1704.M12-060-S | 12 | 60 | 14.5 | 47.6 | 26.3 | 10.6 | 39.7 | 16.7 | 12 | 87 | 126 |
| QR1704.M12-070-S | 12 | 70 | 14.5 | 47.6 | 26.3 | 10.6 | 39.7 | 16.7 | 12 | 87 | 134 |
| QR1704.M12-080-S | 12 | 80 | 14.5 | 47.6 | 26.3 | 10.6 | 39.7 | 16.7 | 12 | 87 | 143 |
| QR1704.M16-030-S | 16 | 30 | 19.0 | 47.6 | 26.3 | 14.0 | 39.7 | 16.7 | 16 | 155 | 132 |
| QR1704.M16-035-S | 16 | 35 | 19.0 | 47.6 | 26.3 | 14.0 | 39.7 | 16.7 | 16 | 155 | 140 |
| QR1704.M16-040-S | 16 | 40 | 19.0 | 47.6 | 26.3 | 14.0 | 39.7 | 16.7 | 16 | 155 | 148 |
| QR1704.M16-045-S | 16 | 45 | 19.0 | 47.6 | 26.3 | 14.0 | 39.7 | 16.7 | 16 | 155 | 155 |
| QR1704.M16-050-S | 16 | 50 | 19.0 | 47.6 | 26.3 | 14.0 | 39.7 | 16.7 | 16 | 155 | 168 |
| QR1704.M16-060-S | 16 | 60 | 19.0 | 47.6 | 26.3 | 14.0 | 39.7 | 16.7 | 16 | 155 | 178 |
| QR1704.M16-070-S | 16 | 70 | 19.0 | 47.6 | 26.3 | 14.0 | 39.7 | 16.7 | 16 | 155 | 194 |
| QR1704.M16-080-S | 16 | 80 | 19.0 | 47.6 | 26.3 | 14.0 | 39.7 | 16.7 | 16 | 155 | 208 |
| QR1704.M20-060-S | 20 | 60 | 25.0 | 57.1 | 35.4 | 20.5 | 50.7 | 21.5 | 20 | 244 | 343 |
| QR1704.M20-080-S | 20 | 80 | 25.0 | 57.1 | 35.4 | 20.5 | 50.7 | 21.5 | 20 | 244 | 392 |
| QR1704.M20-100-S | 20 | 100 | 25.0 | 57.1 | 35.4 | 20.5 | 50.7 | 21.5 | 20 | 244 | 440 |
| QR1704.M20-120-S | 20 | 120 | 25.0 | 57.1 | 35.4 | 20.5 | 50.7 | 21.5 | 20 | 244 | 488 |

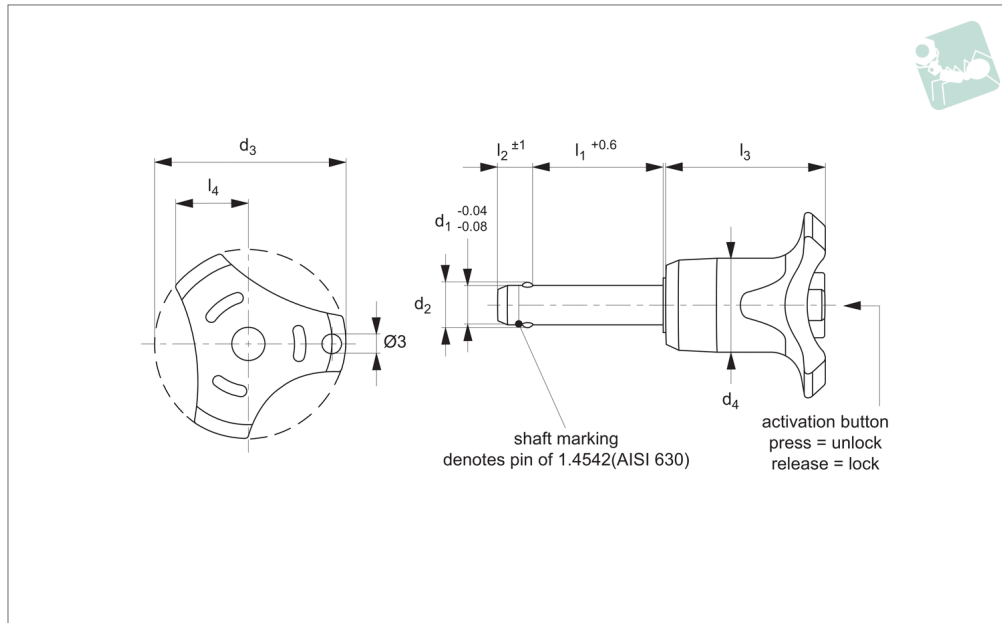




Ball Lock Pins - Single Acting - Black

self-locking - stainless steel 1.4542 (AISI 630)

Quick Release Pins



QR1706

QUICK RELEASE PINS

Material

Pin: stainless steel 1,4542 (AISI 630), precipitation hardened, blast finish. (marked at end of shaft to denote 1.4542 material).

Ball: stainless steel 1.3541

Spring: stainless steel.

Handle: thermoplastic PA 6.

Available colours: grey/orange, grey/blue, grey/grey, black/black.

Technical Notes

Pressing = unlocking.

Releasing = locking.

Temperature resistance -30°C to +80°C.

For quick fastening and locking of frequently repeated connections.

Tips

For lanyards & retaining cables see part no. LA1066. Easy install locating bushes

available see part no. LA1310.

Important Notes

Extreme load capacity due to high material grade.

*Shearing resistance similar to DIN 50141.

Also available in stainless grade 1.4305

(AISI 303), see part no. 33080.

| Order No. | d ₁ | l ₁ | d ₂ | d ₃ | d ₄ | l ₂ | l ₃ | l ₄ | Loc'n hole tol. H11 | Shearing resistance, double kN min. | Weight g |
|------------------|----------------|----------------|----------------|----------------|----------------|----------------|----------------|----------------|---------------------|-------------------------------------|----------|
| QR1706.M05-010-T | 5 | 10 | 5.5 | 33.2 | 14.5 | 6.0 | 26.7 | 10.8 | 5 | 24 | 15 |
| QR1706.M05-015-T | 5 | 15 | 5.5 | 33.2 | 14.5 | 6.0 | 26.7 | 10.8 | 5 | 24 | 15 |
| QR1706.M05-020-T | 5 | 20 | 5.5 | 33.2 | 14.5 | 6.0 | 26.7 | 10.8 | 5 | 24 | 16 |
| QR1706.M05-025-T | 5 | 25 | 5.5 | 33.2 | 14.5 | 6.0 | 26.7 | 10.8 | 5 | 24 | 17 |
| QR1706.M05-030-T | 5 | 30 | 5.5 | 33.2 | 14.5 | 6.0 | 26.7 | 10.8 | 5 | 24 | 18 |
| QR1706.M06-010-T | 6 | 10 | 7.0 | 33.2 | 14.5 | 7.0 | 26.7 | 10.8 | 6 | 35 | 16 |
| QR1706.M06-015-T | 6 | 15 | 7.0 | 33.2 | 14.5 | 7.0 | 26.7 | 10.8 | 6 | 35 | 17 |
| QR1706.M06-020-T | 6 | 20 | 7.0 | 33.2 | 14.5 | 7.0 | 26.7 | 10.8 | 6 | 35 | 18 |
| QR1706.M06-025-T | 6 | 25 | 7.0 | 33.2 | 14.5 | 7.0 | 26.7 | 10.8 | 6 | 35 | 19 |
| QR1706.M06-030-T | 6 | 30 | 7.0 | 33.2 | 14.5 | 7.0 | 26.7 | 10.8 | 6 | 35 | 20 |
| QR1706.M06-035-T | 6 | 35 | 7.0 | 33.2 | 14.5 | 7.0 | 26.7 | 10.8 | 6 | 35 | 21 |
| QR1706.M06-040-T | 6 | 40 | 7.0 | 33.2 | 14.5 | 7.0 | 26.7 | 10.8 | 6 | 35 | 22 |
| QR1706.M06-045-T | 6 | 45 | 7.0 | 33.2 | 14.5 | 7.0 | 26.7 | 10.8 | 6 | 35 | 23 |
| QR1706.M06-050-T | 6 | 50 | 7.0 | 33.2 | 14.5 | 7.0 | 26.7 | 10.8 | 6 | 35 | 24 |
| QR1706.M08-020-T | 8 | 20 | 9.6 | 39.2 | 19.3 | 8.2 | 33.3 | 13.4 | 8 | 63 | 40 |
| QR1706.M08-030-T | 8 | 30 | 9.6 | 39.2 | 19.3 | 8.2 | 33.3 | 13.4 | 8 | 63 | 44 |
| QR1706.M08-040-T | 8 | 40 | 9.6 | 39.2 | 19.3 | 8.2 | 33.3 | 13.4 | 8 | 63 | 47 |
| QR1706.M10-020-T | 10 | 20 | 12.0 | 39.2 | 19.3 | 9.6 | 33.3 | 13.4 | 10 | 100 | 47 |
| QR1706.M10-025-T | 10 | 25 | 12.0 | 39.2 | 19.3 | 9.6 | 33.3 | 13.4 | 10 | 100 | 49 |
| QR1706.M10-030-T | 10 | 30 | 12.0 | 39.2 | 19.3 | 9.6 | 33.3 | 13.4 | 10 | 100 | 53 |
| QR1706.M10-035-T | 10 | 35 | 12.0 | 39.2 | 19.3 | 9.6 | 33.3 | 13.4 | 10 | 100 | 55 |
| QR1706.M10-040-T | 10 | 40 | 12.0 | 39.2 | 19.3 | 9.6 | 33.3 | 13.4 | 10 | 100 | 58 |
| QR1706.M10-045-T | 10 | 45 | 12.0 | 39.2 | 19.3 | 9.6 | 33.3 | 13.4 | 10 | 100 | 61 |
| QR1706.M10-060-T | 10 | 60 | 12.0 | 39.2 | 19.3 | 9.6 | 33.3 | 13.4 | 10 | 100 | 70 |
| QR1706.M12-030-T | 12 | 30 | 14.5 | 47.6 | 26.3 | 10.6 | 39.7 | 16.7 | 12 | 144 | 100 |
| QR1706.M12-035-T | 12 | 35 | 14.5 | 47.6 | 26.3 | 10.6 | 39.7 | 16.7 | 12 | 144 | 105 |

Quick Release Pins

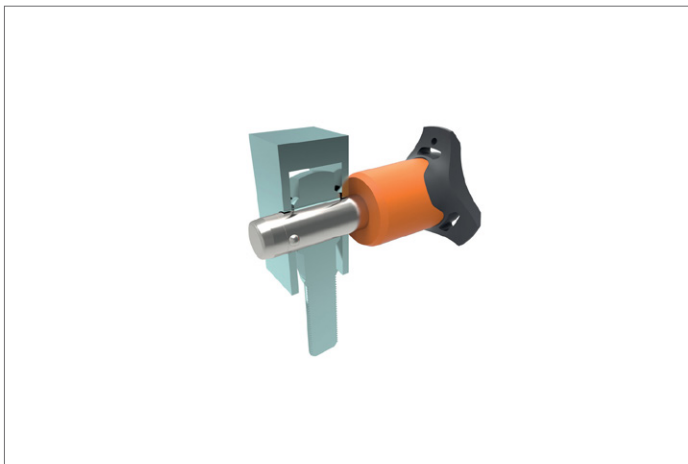
Ball Lock Pins - Single Acting - Black

self-locking - stainless steel 1.4542 (AISI 630)



QUICK RELEASE PINS

| Order No. | d ₁ | l ₁ | d ₂ | d ₃ | d ₄ | l ₂ | l ₃ | l ₄ | Loc'n hole tol. H11 | Shearing resistance, double kN min. | Weight g |
|------------------|----------------|----------------|----------------|----------------|----------------|----------------|----------------|----------------|---------------------|-------------------------------------|----------|
| QR1706.M12-045-T | 12 | 45 | 14.5 | 47.6 | 26.3 | 10.6 | 39.7 | 16.7 | 12 | 144 | 113 |
| QR1706.M12-050-T | 12 | 50 | 14.5 | 47.6 | 26.3 | 10.6 | 39.7 | 16.7 | 12 | 144 | 117 |
| QR1706.M12-060-T | 12 | 60 | 14.5 | 47.6 | 26.3 | 10.6 | 39.7 | 16.7 | 12 | 144 | 126 |
| QR1706.M12-070-T | 12 | 70 | 14.5 | 47.6 | 26.3 | 10.6 | 39.7 | 16.7 | 12 | 144 | 134 |
| QR1706.M12-080-T | 12 | 80 | 14.5 | 47.6 | 26.3 | 10.6 | 39.7 | 16.7 | 12 | 144 | 143 |
| QR1706.M16-030-T | 16 | 30 | 19.0 | 47.6 | 26.3 | 14.0 | 39.7 | 16.7 | 16 | 257 | 132 |
| QR1706.M16-035-T | 16 | 35 | 19.0 | 47.6 | 26.3 | 14.0 | 39.7 | 16.7 | 16 | 257 | 140 |
| QR1706.M16-040-T | 16 | 40 | 19.0 | 47.6 | 26.3 | 14.0 | 39.7 | 16.7 | 16 | 257 | 148 |
| QR1706.M16-045-T | 16 | 45 | 19.0 | 47.6 | 26.3 | 14.0 | 39.7 | 16.7 | 16 | 257 | 155 |
| QR1706.M16-060-T | 16 | 60 | 19.0 | 47.6 | 26.3 | 14.0 | 39.7 | 16.7 | 16 | 257 | 178 |
| QR1706.M16-070-T | 16 | 70 | 19.0 | 47.6 | 26.3 | 14.0 | 39.7 | 16.7 | 16 | 257 | 194 |
| QR1706.M16-080-T | 16 | 80 | 19.0 | 47.6 | 26.3 | 14.0 | 39.7 | 16.7 | 16 | 257 | 208 |
| QR1706.M20-060-T | 20 | 60 | 25.0 | 57.1 | 35.4 | 20.5 | 50.7 | 21.5 | 20 | 403 | 343 |
| QR1706.M20-080-T | 20 | 80 | 25.0 | 57.1 | 35.4 | 20.5 | 50.7 | 21.5 | 20 | 403 | 392 |
| QR1706.M20-100-T | 20 | 100 | 25.0 | 57.1 | 35.4 | 20.5 | 50.7 | 21.5 | 20 | 403 | 440 |
| QR1706.M20-120-T | 20 | 120 | 25.0 | 57.1 | 33.8 | 20.5 | 50.7 | 21.5 | 20 | 403 | 488 |

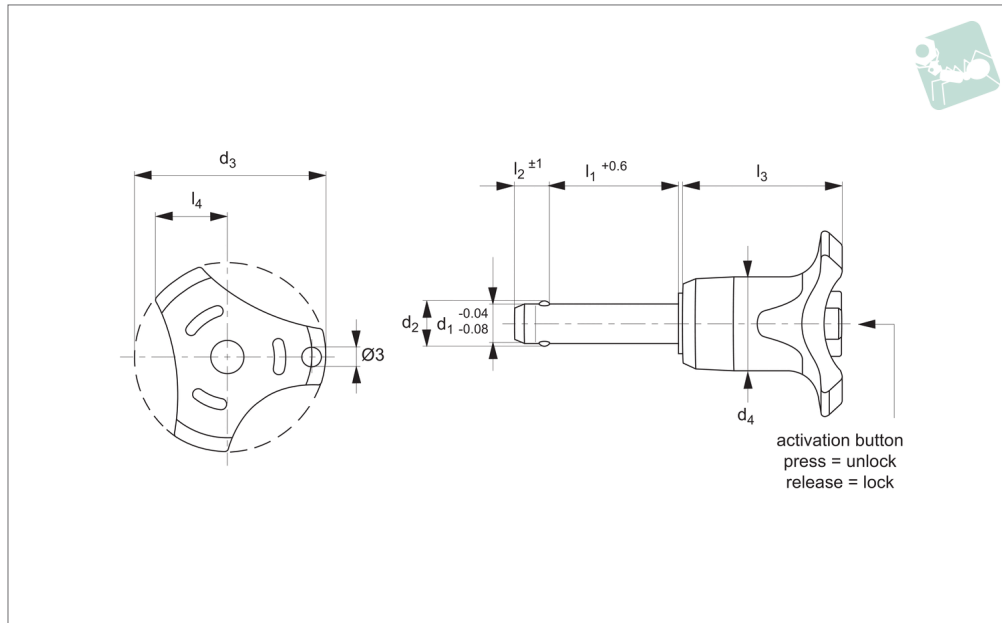




Ball Lock Pins - Single Acting - Grey

self-locking - stainless steel 1.4305 (AISI 303)

Quick Release Pins



QR1714

QUICK RELEASE PINS

Material

Pin: stainless steel 1.4542 (AISI 630)
 Ball: stainless steel 1.3541
 Spring: stainless steel.
 Handle: thermoplastic PA 6.
 Available colours: grey/orange, grey/blue, grey/grey.

Technical Notes

Pressing = unlocking.

Releasing = locking.

Temperature resistance -30°C to +80°C.
 For quick fastening and locking of frequently repeated connections.

Tips

For lanyards & retaining cables see part no. LA1066-LA1092. Easy install locating bushes available see part no. LA1310 + .

Important Notes

*Shearing resistance similar to DIN 50141.
 Also available in stainless grade 1.4542 (AISI 630) for higher shear forces, see part no. 33060.

| Order No. | d ₁ | l ₁ | d ₂ | d ₃ | d ₄ | l ₂ | l ₃ | l ₄ | Loc'n hole tol. H11 | Shearing resistance, double kN min. | Weight g |
|------------------|----------------|----------------|----------------|----------------|----------------|----------------|----------------|----------------|---------------------|-------------------------------------|----------|
| QR1714.M05-010-S | 5 | 10 | 5.5 | 33.2 | 14.5 | 6.0 | 26.7 | 10.8 | 5 | 14 | 15 |
| QR1714.M05-015-S | 5 | 15 | 5.5 | 33.2 | 14.5 | 6.0 | 26.7 | 10.8 | 5 | 14 | 15 |
| QR1714.M05-020-S | 5 | 20 | 5.5 | 33.2 | 14.5 | 6.0 | 26.7 | 10.8 | 5 | 14 | 16 |
| QR1714.M05-025-S | 5 | 25 | 5.5 | 33.2 | 14.5 | 6.0 | 26.7 | 10.8 | 5 | 14 | 17 |
| QR1714.M05-030-S | 5 | 30 | 5.5 | 33.2 | 14.5 | 6.0 | 26.7 | 10.8 | 5 | 14 | 18 |
| QR1714.M06-010-S | 6 | 10 | 7.0 | 33.2 | 14.5 | 7.0 | 26.7 | 10.8 | 6 | 21 | 16 |
| QR1714.M06-015-S | 6 | 15 | 7.0 | 33.2 | 14.5 | 7.0 | 26.7 | 10.8 | 6 | 21 | 17 |
| QR1714.M06-020-S | 6 | 20 | 7.0 | 33.2 | 14.5 | 7.0 | 26.7 | 10.8 | 6 | 21 | 18 |
| QR1714.M06-025-S | 6 | 25 | 7.0 | 33.2 | 14.5 | 7.0 | 26.7 | 10.8 | 6 | 21 | 19 |
| QR1714.M06-030-S | 6 | 30 | 7.0 | 33.2 | 14.5 | 7.0 | 26.7 | 10.8 | 6 | 21 | 20 |
| QR1714.M06-035-S | 6 | 35 | 7.0 | 33.2 | 14.5 | 7.0 | 26.7 | 10.8 | 6 | 21 | 21 |
| QR1714.M06-040-S | 6 | 40 | 7.0 | 33.2 | 14.5 | 7.0 | 26.7 | 10.8 | 6 | 21 | 22 |
| QR1714.M06-045-S | 6 | 45 | 7.0 | 33.2 | 14.5 | 7.0 | 26.7 | 10.8 | 6 | 21 | 23 |
| QR1714.M06-050-S | 6 | 50 | 7.0 | 33.2 | 14.5 | 7.0 | 26.7 | 10.8 | 6 | 21 | 24 |
| QR1714.M08-020-S | 8 | 20 | 9.6 | 39.2 | 19.3 | 8.2 | 33.3 | 13.4 | 8 | 38 | 40 |
| QR1714.M08-025-S | 8 | 25 | 9.6 | 39.2 | 19.3 | 8.2 | 33.3 | 13.4 | 8 | 38 | 42 |
| QR1714.M08-030-S | 8 | 30 | 9.6 | 39.2 | 19.3 | 8.2 | 33.3 | 13.4 | 8 | 38 | 44 |
| QR1714.M08-035-S | 8 | 35 | 9.6 | 39.2 | 19.3 | 8.2 | 33.3 | 13.4 | 8 | 38 | 46 |
| QR1714.M08-040-S | 8 | 40 | 9.6 | 39.2 | 19.3 | 8.2 | 33.3 | 13.4 | 8 | 38 | 47 |
| QR1714.M08-045-S | 8 | 45 | 9.6 | 39.2 | 19.3 | 8.2 | 33.3 | 13.4 | 8 | 38 | 49 |
| QR1714.M08-050-S | 8 | 50 | 9.6 | 39.2 | 19.3 | 8.2 | 33.3 | 13.4 | 8 | 38 | 51 |
| QR1714.M10-020-S | 10 | 20 | 12.0 | 39.2 | 19.3 | 9.6 | 33.3 | 13.4 | 10 | 60 | 47 |
| QR1714.M10-025-S | 10 | 25 | 12.0 | 39.2 | 19.3 | 9.6 | 33.3 | 13.4 | 10 | 60 | 49 |
| QR1714.M10-030-S | 10 | 30 | 12.0 | 39.2 | 19.3 | 9.6 | 33.3 | 13.4 | 10 | 60 | 53 |
| QR1714.M10-035-S | 10 | 35 | 12.0 | 39.2 | 19.3 | 9.6 | 33.3 | 13.4 | 10 | 60 | 55 |
| QR1714.M10-040-S | 10 | 40 | 12.0 | 39.2 | 19.3 | 9.6 | 33.3 | 13.4 | 10 | 60 | 58 |
| QR1714.M10-045-S | 10 | 45 | 12.0 | 39.2 | 19.3 | 9.6 | 33.3 | 13.4 | 10 | 60 | 61 |

Quick Release Pins

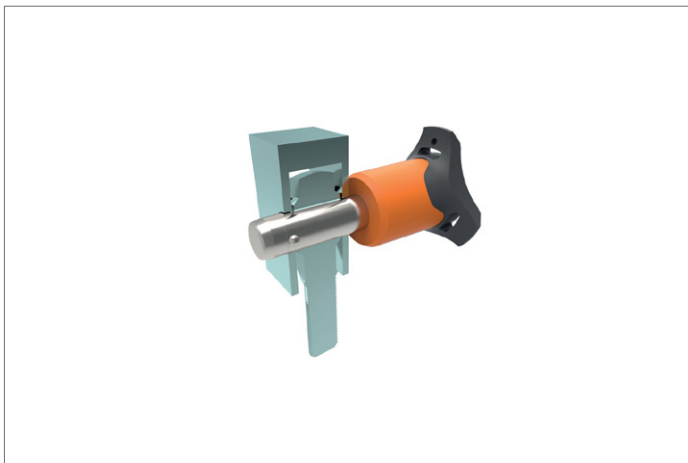
Ball Lock Pins - Single Acting - Grey

self-locking - stainless steel 1.4305 (AISI 303)



QUICK RELEASE PINS

| Order No. | d ₁ | l ₁ | d ₂ | d ₃ | d ₄ | l ₂ | l ₃ | l ₄ | Loc'n hole tol. H11 | Shearing resistance, double kN min. | Weight g |
|------------------|----------------|----------------|----------------|----------------|----------------|----------------|----------------|----------------|---------------------|-------------------------------------|----------|
| QR1714.M10-050-S | 10 | 50 | 12.0 | 39.2 | 19.3 | 9.6 | 33.3 | 13.4 | 10 | 60 | 64 |
| QR1714.M10-060-S | 10 | 60 | 12.0 | 39.2 | 19.3 | 9.6 | 33.3 | 13.4 | 10 | 60 | 70 |
| QR1714.M12-025-S | 12 | 25 | 14.5 | 47.6 | 26.3 | 10.6 | 39.7 | 16.7 | 12 | 87 | 96 |
| QR1714.M12-030-S | 12 | 30 | 14.5 | 47.6 | 26.3 | 10.6 | 39.7 | 16.7 | 12 | 87 | 100 |
| QR1714.M12-035-S | 12 | 35 | 14.5 | 47.6 | 26.3 | 10.6 | 39.7 | 16.7 | 12 | 87 | 105 |
| QR1714.M12-040-S | 12 | 40 | 14.5 | 47.6 | 26.3 | 10.6 | 39.7 | 16.7 | 12 | 87 | 109 |
| QR1714.M12-045-S | 12 | 45 | 14.5 | 47.6 | 26.3 | 10.6 | 39.7 | 16.7 | 12 | 87 | 113 |
| QR1714.M12-050-S | 12 | 50 | 14.5 | 47.6 | 26.3 | 10.6 | 39.7 | 16.7 | 12 | 87 | 117 |
| QR1714.M12-060-S | 12 | 60 | 14.5 | 47.6 | 26.3 | 10.6 | 39.7 | 16.7 | 12 | 87 | 126 |
| QR1714.M12-070-S | 12 | 70 | 14.5 | 47.6 | 26.3 | 10.6 | 39.7 | 16.7 | 12 | 87 | 134 |
| QR1714.M12-080-S | 12 | 80 | 14.5 | 47.6 | 26.3 | 10.6 | 39.7 | 16.7 | 12 | 87 | 143 |
| QR1714.M16-030-S | 16 | 30 | 19.0 | 47.6 | 26.3 | 14.0 | 39.7 | 16.7 | 16 | 155 | 132 |
| QR1714.M16-035-S | 16 | 35 | 19.0 | 47.6 | 26.3 | 14.0 | 39.7 | 16.7 | 16 | 155 | 140 |
| QR1714.M16-040-S | 16 | 40 | 19.0 | 47.6 | 26.3 | 14.0 | 39.7 | 16.7 | 16 | 155 | 148 |
| QR1714.M16-045-S | 16 | 45 | 19.0 | 47.6 | 26.3 | 14.0 | 39.7 | 16.7 | 16 | 155 | 155 |
| QR1714.M16-050-S | 16 | 50 | 19.0 | 47.6 | 26.3 | 14.0 | 39.7 | 16.7 | 16 | 155 | 168 |
| QR1714.M16-060-S | 16 | 60 | 19.0 | 47.6 | 26.3 | 14.0 | 39.7 | 16.7 | 16 | 155 | 178 |
| QR1714.M16-070-S | 16 | 70 | 19.0 | 47.6 | 26.3 | 14.0 | 39.7 | 16.7 | 16 | 155 | 194 |
| QR1714.M16-080-S | 16 | 80 | 19.0 | 47.6 | 26.3 | 14.0 | 39.7 | 16.7 | 16 | 155 | 208 |
| QR1714.M20-060-S | 20 | 60 | 25.0 | 57.1 | 35.4 | 20.5 | 50.7 | 21.5 | 20 | 244 | 343 |
| QR1714.M20-080-S | 20 | 80 | 25.0 | 57.1 | 35.4 | 20.5 | 50.7 | 21.5 | 20 | 244 | 392 |
| QR1714.M20-100-S | 20 | 100 | 25.0 | 57.1 | 35.4 | 20.5 | 50.7 | 21.5 | 20 | 244 | 440 |
| QR1714.M20-120-S | 20 | 120 | 25.0 | 57.1 | 33.8 | 20.5 | 50.7 | 21.5 | 20 | 244 | 488 |

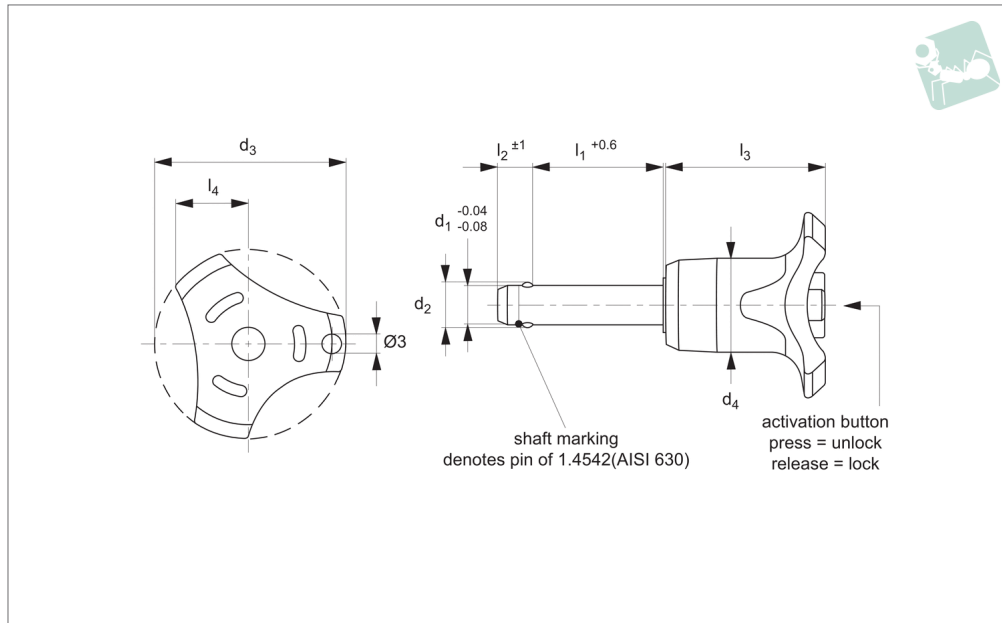




Ball Lock Pins - Single Acting - Grey

self-locking - stainless steel 1.4542 (AISI 630)

Quick Release Pins



QR1716

QUICK RELEASE PINS

Material

Pin: stainless steel 1,4542 (AISI 630), precipitation hardened, blast finish. (marked at end of shaft to denote 1.4542 material).

Ball: stainless steel 1.3541

Spring: stainless steel.

Handle: thermoplastic PA 6.

Available colours: grey/orange, grey/blue, grey/grey, black/black.

Technical Notes

Pressing = unlocking.

Releasing = locking.

Temperature resistance -30°C to +80°C.

For quick fastening and locking of frequently repeated connections.

Tips

For lanyards & retaining cables see part no.LA1066. Easy install locating bushes

available see part no.LA1310.

Important Notes

Extreme load capacity due to high material grade.

*Shearing resistance similar to DIN 50141.

Also available in stainless grade 1.4305

(AISI 303), see part no.33080.

| Order No. | d ₁ | l ₁ | d ₂ | d ₃ | d ₄ | l ₂ | l ₃ | l ₄ | Loc'n hole tol. H11 | Shearing resistance, double kN min. | Weight g |
|------------------|----------------|----------------|----------------|----------------|----------------|----------------|----------------|----------------|---------------------|-------------------------------------|----------|
| QR1716.M05-010-T | 5 | 10 | 5.5 | 33.2 | 14.5 | 6.0 | 26.7 | 10.8 | 5 | 24 | 15 |
| QR1716.M05-015-T | 5 | 15 | 5.5 | 33.2 | 14.5 | 6.0 | 26.7 | 10.8 | 5 | 24 | 15 |
| QR1716.M05-020-T | 5 | 20 | 5.5 | 33.2 | 14.5 | 6.0 | 26.7 | 10.8 | 5 | 24 | 16 |
| QR1716.M05-025-T | 5 | 25 | 5.5 | 33.2 | 14.5 | 6.0 | 26.7 | 10.8 | 5 | 24 | 17 |
| QR1716.M05-030-T | 5 | 30 | 5.5 | 33.2 | 14.5 | 6.0 | 26.7 | 10.8 | 5 | 24 | 18 |
| QR1716.M06-010-T | 6 | 10 | 7.0 | 33.2 | 14.5 | 7.0 | 26.7 | 10.8 | 6 | 35 | 16 |
| QR1716.M06-015-T | 6 | 15 | 7.0 | 33.2 | 14.5 | 7.0 | 26.7 | 10.8 | 6 | 35 | 17 |
| QR1716.M06-020-T | 6 | 20 | 7.0 | 33.2 | 14.5 | 7.0 | 26.7 | 10.8 | 6 | 35 | 18 |
| QR1716.M06-025-T | 6 | 25 | 7.0 | 33.2 | 14.5 | 7.0 | 26.7 | 10.8 | 6 | 35 | 19 |
| QR1716.M06-030-T | 6 | 30 | 7.0 | 33.2 | 14.5 | 7.0 | 26.7 | 10.8 | 6 | 35 | 20 |
| QR1716.M06-035-T | 6 | 35 | 7.0 | 33.2 | 14.5 | 7.0 | 26.7 | 10.8 | 6 | 35 | 21 |
| QR1716.M06-040-T | 6 | 40 | 7.0 | 33.2 | 14.5 | 7.0 | 26.7 | 10.8 | 6 | 35 | 22 |
| QR1716.M06-045-T | 6 | 45 | 7.0 | 33.2 | 14.5 | 7.0 | 26.7 | 10.8 | 6 | 35 | 23 |
| QR1716.M06-050-T | 6 | 50 | 7.0 | 33.2 | 14.5 | 7.0 | 26.7 | 10.8 | 6 | 35 | 24 |
| QR1716.M08-020-T | 8 | 20 | 9.6 | 39.2 | 19.3 | 8.2 | 33.3 | 13.4 | 8 | 63 | 40 |
| QR1716.M08-025-T | 8 | 25 | 9.6 | 39.2 | 19.3 | 8.2 | 33.3 | 13.4 | 8 | 63 | 42 |
| QR1716.M08-030-T | 8 | 30 | 9.6 | 39.2 | 19.3 | 8.2 | 33.3 | 13.4 | 8 | 63 | 44 |
| QR1716.M08-035-T | 8 | 35 | 9.6 | 39.2 | 19.3 | 8.2 | 33.3 | 13.4 | 8 | 63 | 46 |
| QR1716.M08-040-T | 8 | 40 | 9.6 | 39.2 | 19.3 | 8.2 | 33.3 | 13.4 | 8 | 63 | 47 |
| QR1716.M08-045-T | 8 | 45 | 9.6 | 39.2 | 19.3 | 8.2 | 33.3 | 13.4 | 8 | 63 | 49 |
| QR1716.M08-050-T | 8 | 50 | 9.6 | 39.2 | 19.3 | 8.2 | 33.3 | 13.4 | 8 | 63 | 51 |
| QR1716.M10-020-T | 10 | 20 | 12.0 | 39.2 | 19.3 | 9.6 | 33.3 | 13.4 | 10 | 100 | 47 |
| QR1716.M10-025-T | 10 | 25 | 12.0 | 39.2 | 19.3 | 9.6 | 33.3 | 13.4 | 10 | 100 | 49 |
| QR1716.M10-030-T | 10 | 30 | 12.0 | 39.2 | 19.3 | 9.6 | 33.3 | 13.4 | 10 | 100 | 53 |
| QR1716.M10-035-T | 10 | 35 | 12.0 | 39.2 | 19.3 | 9.6 | 33.3 | 13.4 | 10 | 100 | 55 |
| QR1716.M10-040-T | 10 | 40 | 12.0 | 39.2 | 19.3 | 9.6 | 33.3 | 13.4 | 10 | 100 | 58 |

Quick Release Pins

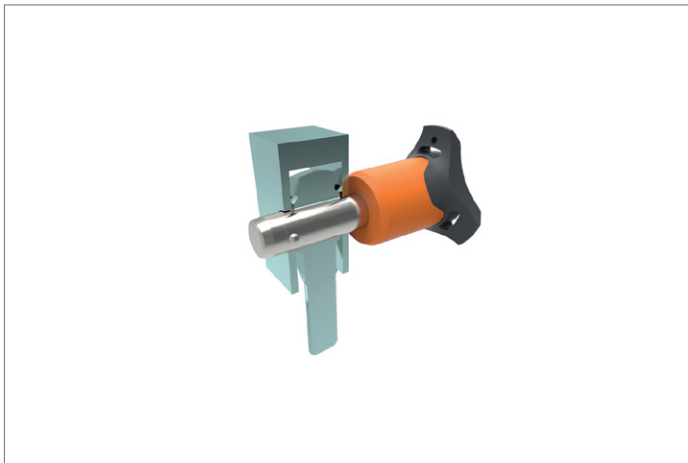
Ball Lock Pins - Single Acting - Grey

self-locking - stainless steel 1.4542 (AISI 630)



QUICK RELEASE PINS

| Order No. | d ₁ | l ₁ | d ₂ | d ₃ | d ₄ | l ₂ | l ₃ | l ₄ | Loc'n hole tol. H11 | Shearing resistance, double kN min. | Weight g |
|------------------|----------------|----------------|----------------|----------------|----------------|----------------|----------------|----------------|---------------------|-------------------------------------|----------|
| QR1716.M10-045-T | 10 | 45 | 12.0 | 39.2 | 19.3 | 9.6 | 33.3 | 13.4 | 10 | 100 | 61 |
| QR1716.M10-050-T | 10 | 50 | 12.0 | 39.2 | 19.3 | 9.6 | 33.3 | 13.4 | 10 | 100 | 64 |
| QR1716.M10-060-T | 10 | 60 | 12.0 | 39.2 | 19.3 | 9.6 | 33.3 | 13.4 | 10 | 100 | 70 |
| QR1716.M12-025-T | 12 | 25 | 14.5 | 47.6 | 26.3 | 10.6 | 39.7 | 16.7 | 12 | 144 | 96 |
| QR1716.M12-030-T | 12 | 30 | 14.5 | 47.6 | 26.3 | 10.6 | 39.7 | 16.7 | 12 | 144 | 100 |
| QR1716.M12-035-T | 12 | 35 | 14.5 | 47.6 | 26.3 | 10.6 | 39.7 | 16.7 | 12 | 144 | 105 |
| QR1716.M12-040-T | 12 | 40 | 14.5 | 47.6 | 26.3 | 10.6 | 39.7 | 16.7 | 12 | 144 | 109 |
| QR1716.M12-045-T | 12 | 45 | 14.5 | 47.6 | 26.3 | 10.6 | 39.7 | 16.7 | 12 | 144 | 113 |
| QR1716.M12-050-T | 12 | 50 | 14.5 | 47.6 | 26.3 | 10.6 | 39.7 | 16.7 | 12 | 144 | 117 |
| QR1716.M12-060-T | 12 | 60 | 14.5 | 47.6 | 26.3 | 10.6 | 39.7 | 16.7 | 12 | 144 | 126 |
| QR1716.M12-070-T | 12 | 70 | 14.5 | 47.6 | 26.3 | 10.6 | 39.7 | 16.7 | 12 | 144 | 134 |
| QR1716.M12-080-T | 12 | 80 | 14.5 | 47.6 | 26.3 | 10.6 | 39.7 | 16.7 | 12 | 144 | 143 |
| QR1716.M16-030-T | 16 | 30 | 19.0 | 47.6 | 26.3 | 14.0 | 39.7 | 16.7 | 16 | 257 | 132 |
| QR1716.M16-035-T | 16 | 35 | 19.0 | 47.6 | 26.3 | 14.0 | 39.7 | 16.7 | 16 | 257 | 140 |
| QR1716.M16-040-T | 16 | 40 | 19.0 | 47.6 | 26.3 | 14.0 | 39.7 | 16.7 | 16 | 257 | 148 |
| QR1716.M16-045-T | 16 | 45 | 19.0 | 47.6 | 26.3 | 14.0 | 39.7 | 16.7 | 16 | 257 | 155 |
| QR1716.M16-050-T | 16 | 50 | 19.0 | 47.6 | 26.3 | 14.0 | 39.7 | 16.7 | 16 | 257 | 168 |
| QR1716.M16-060-T | 16 | 60 | 19.0 | 47.6 | 26.3 | 14.0 | 39.7 | 16.7 | 16 | 257 | 178 |
| QR1716.M16-070-T | 16 | 70 | 19.0 | 47.6 | 26.3 | 14.0 | 39.7 | 16.7 | 16 | 257 | 194 |
| QR1716.M16-080-T | 16 | 80 | 19.0 | 47.6 | 26.3 | 14.0 | 39.7 | 16.7 | 16 | 257 | 208 |
| QR1716.M20-060-T | 20 | 60 | 25.0 | 57.1 | 35.4 | 20.5 | 50.7 | 21.5 | 20 | 403 | 343 |
| QR1716.M20-080-T | 20 | 80 | 25.0 | 57.1 | 35.4 | 20.5 | 50.7 | 21.5 | 20 | 403 | 392 |
| QR1716.M20-100-T | 20 | 100 | 25.0 | 57.1 | 35.4 | 20.5 | 50.7 | 21.5 | 20 | 403 | 440 |
| QR1716.M20-120-T | 20 | 120 | 25.0 | 57.1 | 35.4 | 20.5 | 50.7 | 21.5 | 20 | 403 | 488 |

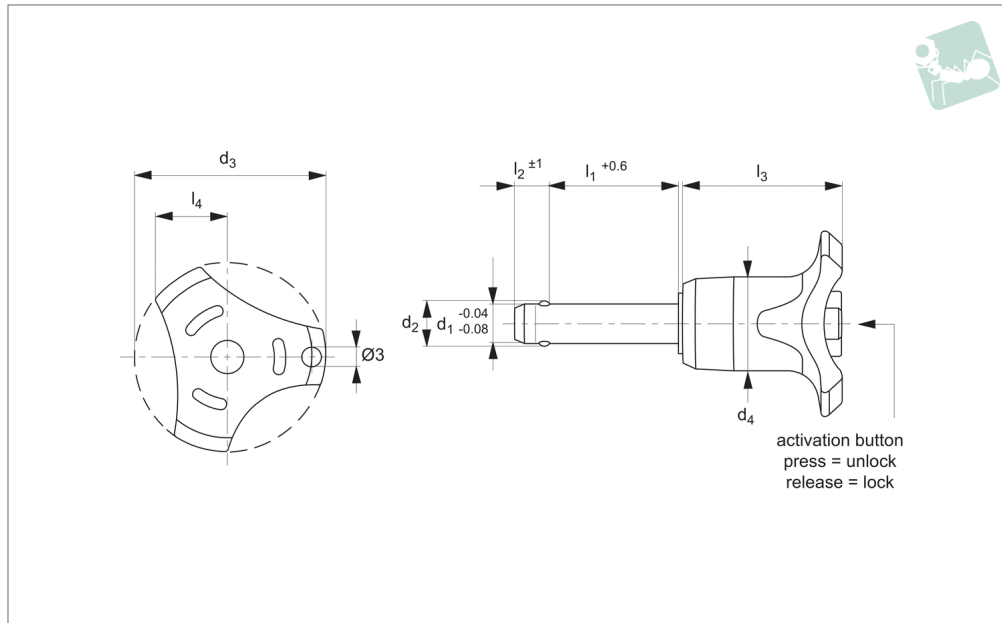




Ball Lock Pins - Single Acting - Blue

self-locking - stainless steel 1.4305 (AISI 303)

Quick Release Pins



QR1724

QUICK RELEASE PINS

Material

Pin: stainless steel 1.4542 (AISI 630)
 Ball: stainless steel 1.3541
 Spring: stainless steel.
 Handle: thermoplastic PA 6.
 Available colours: grey/orange, grey/blue, grey/grey.

Technical Notes

Pressing = unlocking.

Releasing = locking.

Temperature resistance -30°C to +80°C.
 For quick fastening and locking of frequently repeated connections.

Tips

For lanyards & retaining cables see part no.LA1066-LA1092. Easy install locating bushes available see part no.LA1310 + .

Important Notes

*Shearing resistance similar to DIN 50141.
 Also available in stainless grade 1.4542 (AISI 630) for higher shear forces, see part no.33060.

| Order No. | d ₁ | l ₁ | d ₂ | d ₃ | d ₄ | l ₂ | l ₃ | l ₄ | Loc'n hole tol. H11 | Shearing resistance, double kN min. | Weight g |
|------------------|----------------|----------------|----------------|----------------|----------------|----------------|----------------|----------------|---------------------|-------------------------------------|----------|
| QR1724.M05-010-S | 5 | 10 | 5.5 | 33.2 | 14.5 | 6.0 | 26.7 | 10.8 | 5 | 14 | 15 |
| QR1724.M05-015-S | 5 | 15 | 5.5 | 33.2 | 14.5 | 6.0 | 26.7 | 10.8 | 5 | 14 | 15 |
| QR1724.M05-020-S | 5 | 20 | 5.5 | 33.2 | 14.5 | 6.0 | 26.7 | 10.8 | 5 | 14 | 16 |
| QR1724.M05-025-S | 5 | 25 | 5.5 | 33.2 | 14.5 | 6.0 | 26.7 | 10.8 | 5 | 14 | 17 |
| QR1724.M05-030-S | 5 | 30 | 5.5 | 33.2 | 14.5 | 6.0 | 26.7 | 10.8 | 5 | 14 | 18 |
| QR1724.M06-010-S | 6 | 10 | 7.0 | 33.2 | 14.5 | 7.0 | 26.7 | 10.8 | 6 | 21 | 16 |
| QR1724.M06-015-S | 6 | 15 | 7.0 | 33.2 | 14.5 | 7.0 | 26.7 | 10.8 | 6 | 21 | 17 |
| QR1724.M06-020-S | 6 | 20 | 7.0 | 33.2 | 14.5 | 7.0 | 26.7 | 10.8 | 6 | 21 | 18 |
| QR1724.M06-025-S | 6 | 25 | 7.0 | 33.2 | 14.5 | 7.0 | 26.7 | 10.8 | 6 | 21 | 19 |
| QR1724.M06-030-S | 6 | 30 | 7.0 | 33.2 | 14.5 | 7.0 | 26.7 | 10.8 | 6 | 21 | 20 |
| QR1724.M06-035-S | 6 | 35 | 7.0 | 33.2 | 14.5 | 7.0 | 26.7 | 10.8 | 6 | 21 | 21 |
| QR1724.M06-040-S | 6 | 40 | 7.0 | 33.2 | 14.5 | 7.0 | 26.7 | 10.8 | 6 | 21 | 22 |
| QR1724.M06-045-S | 6 | 45 | 7.0 | 33.2 | 14.5 | 7.0 | 26.7 | 10.8 | 6 | 21 | 23 |
| QR1724.M06-050-S | 6 | 50 | 7.0 | 33.2 | 14.5 | 7.0 | 26.7 | 10.8 | 6 | 21 | 24 |
| QR1724.M08-020-S | 8 | 20 | 9.6 | 39.2 | 19.3 | 8.2 | 33.3 | 13.4 | 8 | 38 | 40 |
| QR1724.M08-025-S | 8 | 25 | 9.6 | 39.2 | 19.3 | 8.2 | 33.3 | 13.4 | 8 | 38 | 42 |
| QR1724.M08-030-S | 8 | 30 | 9.6 | 39.2 | 19.3 | 8.2 | 33.3 | 13.4 | 8 | 38 | 44 |
| QR1724.M08-035-S | 8 | 35 | 9.6 | 39.2 | 19.3 | 8.2 | 33.3 | 13.4 | 8 | 38 | 46 |
| QR1724.M08-040-S | 8 | 40 | 9.6 | 39.2 | 19.3 | 8.2 | 33.3 | 13.4 | 8 | 38 | 47 |
| QR1724.M08-045-S | 8 | 45 | 9.6 | 39.2 | 19.3 | 8.2 | 33.3 | 13.4 | 8 | 38 | 49 |
| QR1724.M08-050-S | 8 | 50 | 9.6 | 39.2 | 19.3 | 8.2 | 33.3 | 13.4 | 8 | 38 | 51 |
| QR1724.M10-020-S | 10 | 20 | 12.0 | 39.2 | 19.3 | 9.6 | 33.3 | 13.4 | 10 | 60 | 47 |
| QR1724.M10-025-S | 10 | 25 | 12.0 | 39.2 | 19.3 | 9.6 | 33.3 | 13.4 | 10 | 60 | 49 |
| QR1724.M10-030-S | 10 | 30 | 12.0 | 39.2 | 19.3 | 9.6 | 33.3 | 13.4 | 10 | 60 | 53 |
| QR1724.M10-035-S | 10 | 35 | 12.0 | 39.2 | 19.3 | 9.6 | 33.3 | 13.4 | 10 | 60 | 55 |
| QR1724.M10-040-S | 10 | 40 | 12.0 | 39.2 | 19.3 | 9.6 | 33.3 | 13.4 | 10 | 60 | 58 |
| QR1724.M10-045-S | 10 | 45 | 12.0 | 39.2 | 19.3 | 9.6 | 33.3 | 13.4 | 10 | 60 | 61 |

Quick Release Pins

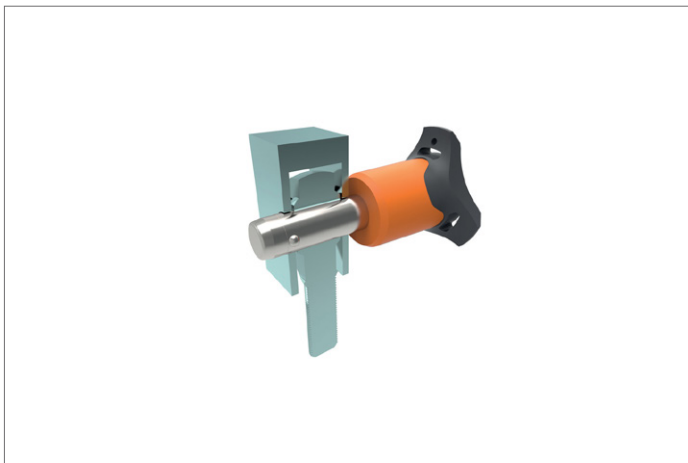
Ball Lock Pins - Single Acting - Blue

self-locking - stainless steel 1.4305 (AISI 303)



QUICK RELEASE PINS

| Order No. | d ₁ | l ₁ | d ₂ | d ₃ | d ₄ | l ₂ | l ₃ | l ₄ | Loc'n hole tol. H11 | Shearing resistance, double kN min. | Weight g |
|------------------|----------------|----------------|----------------|----------------|----------------|----------------|----------------|----------------|---------------------|-------------------------------------|----------|
| QR1724.M10-050-S | 10 | 50 | 12.0 | 39.2 | 19.3 | 9.6 | 33.3 | 13.4 | 10 | 60 | 64 |
| QR1724.M10-060-S | 10 | 60 | 12.0 | 39.2 | 19.3 | 9.6 | 33.3 | 13.4 | 10 | 60 | 70 |
| QR1724.M12-025-S | 12 | 25 | 14.5 | 47.6 | 26.3 | 10.6 | 39.7 | 16.7 | 12 | 87 | 96 |
| QR1724.M12-030-S | 12 | 30 | 14.5 | 47.6 | 26.3 | 10.6 | 39.7 | 16.7 | 12 | 87 | 100 |
| QR1724.M12-035-S | 12 | 35 | 14.5 | 47.6 | 26.3 | 10.6 | 39.7 | 16.7 | 12 | 87 | 105 |
| QR1724.M12-040-S | 12 | 40 | 14.5 | 47.6 | 26.3 | 10.6 | 39.7 | 16.7 | 12 | 87 | 109 |
| QR1724.M12-045-S | 12 | 45 | 14.5 | 47.6 | 26.3 | 10.6 | 39.7 | 16.7 | 12 | 87 | 113 |
| QR1724.M12-050-S | 12 | 50 | 14.5 | 47.6 | 26.3 | 10.6 | 39.7 | 16.7 | 12 | 87 | 117 |
| QR1724.M12-060-S | 12 | 60 | 14.5 | 47.6 | 26.3 | 10.6 | 39.7 | 16.7 | 12 | 87 | 126 |
| QR1724.M12-070-S | 12 | 70 | 14.5 | 47.6 | 26.3 | 10.6 | 39.7 | 16.7 | 12 | 87 | 134 |
| QR1724.M12-080-S | 12 | 80 | 14.5 | 47.6 | 26.3 | 10.6 | 39.7 | 16.7 | 12 | 87 | 143 |
| QR1724.M16-030-S | 16 | 30 | 19.0 | 47.6 | 26.3 | 14.0 | 39.7 | 16.7 | 16 | 155 | 132 |
| QR1724.M16-035-S | 16 | 35 | 19.0 | 47.6 | 26.3 | 14.0 | 39.7 | 16.7 | 16 | 155 | 140 |
| QR1724.M16-040-S | 16 | 40 | 19.0 | 47.6 | 26.3 | 14.0 | 39.7 | 16.7 | 16 | 155 | 148 |
| QR1724.M16-045-S | 16 | 45 | 19.0 | 47.6 | 26.3 | 14.0 | 39.7 | 16.7 | 16 | 155 | 155 |
| QR1724.M16-050-S | 16 | 50 | 19.0 | 47.6 | 26.3 | 14.0 | 39.7 | 16.7 | 16 | 155 | 168 |
| QR1724.M16-060-S | 16 | 60 | 19.0 | 47.6 | 26.3 | 14.0 | 39.7 | 16.7 | 16 | 155 | 178 |
| QR1724.M16-070-S | 16 | 70 | 19.0 | 47.6 | 26.3 | 14.0 | 39.7 | 16.7 | 16 | 155 | 194 |
| QR1724.M16-080-S | 16 | 80 | 19.0 | 47.6 | 26.3 | 14.0 | 39.7 | 16.7 | 16 | 155 | 208 |
| QR1724.M20-060-S | 20 | 60 | 25.0 | 57.1 | 35.4 | 20.5 | 50.7 | 21.5 | 20 | 244 | 343 |
| QR1724.M20-080-S | 20 | 80 | 25.0 | 57.1 | 35.4 | 20.5 | 50.7 | 21.5 | 20 | 244 | 392 |
| QR1724.M20-100-S | 20 | 100 | 25.0 | 57.1 | 35.4 | 20.5 | 50.7 | 21.5 | 20 | 244 | 440 |
| QR1724.M20-120-S | 20 | 120 | 25.0 | 57.1 | 35.4 | 20.5 | 50.7 | 21.5 | 20 | 244 | 488 |

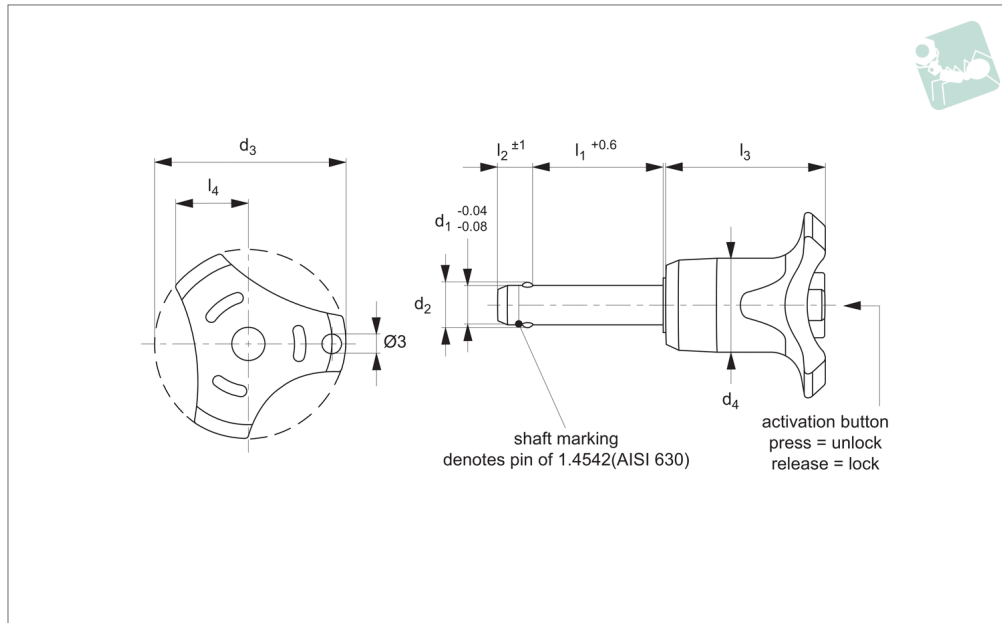




Ball Lock Pins - Single Acting - Blue

self-locking - stainless steel 1.4542 (AISI 630)

Quick Release Pins



QR1726

QUICK RELEASE PINS

Material

Pin: stainless steel 1,4542 (AISI 630), precipitation hardened, blast finish. (marked at end of shaft to denote 1.4542 material).
 Ball: stainless steel 1.3541
 Spring: stainless steel.
 Handle: thermoplastic PA 6.
 Available colours: grey/orange, grey/blue, grey/grey, black/black.

Technical Notes

Pressing = unlocking.
 Releasing = locking.
 Temperature resistance -30°C to +80°C.
 For quick fastening and locking of frequently repeated connections.

Tips

For lanyards & retaining cables see part no.LA1066. Easy install locating bushes

available see part no.LA1310.

Important Notes

Extreme load capacity due to high material grade.
 *Shearing resistance similar to DIN 50141. Also available in stainless grade 1.4305 (AISI 303), see part no.33080.

| Order No. | d ₁ | l ₁ | d ₂ | d ₃ | d ₄ | l ₂ | l ₃ | l ₄ | Loc'n hole tol. H11 | Shearing resistance, double kN min. | Weight g |
|------------------|----------------|----------------|----------------|----------------|----------------|----------------|----------------|----------------|---------------------|-------------------------------------|----------|
| QR1726.M05-010-T | 5 | 10 | 5.5 | 33.2 | 14.5 | 6.0 | 26.7 | 10.8 | 5 | 24 | 15 |
| QR1726.M05-015-T | 5 | 15 | 5.5 | 33.2 | 14.5 | 6.0 | 26.7 | 10.8 | 5 | 24 | 15 |
| QR1726.M05-020-T | 5 | 20 | 5.5 | 33.2 | 14.5 | 6.0 | 26.7 | 10.8 | 5 | 24 | 16 |
| QR1726.M05-025-T | 5 | 25 | 5.5 | 33.2 | 14.5 | 6.0 | 26.7 | 10.8 | 5 | 24 | 17 |
| QR1726.M05-030-T | 5 | 30 | 5.5 | 33.2 | 14.5 | 6.0 | 26.7 | 10.8 | 5 | 24 | 18 |
| QR1726.M06-010-T | 6 | 10 | 7.0 | 33.2 | 14.5 | 7.0 | 26.7 | 10.8 | 6 | 35 | 16 |
| QR1726.M06-015-T | 6 | 15 | 7.0 | 33.2 | 14.5 | 7.0 | 26.7 | 10.8 | 6 | 35 | 17 |
| QR1726.M06-020-T | 6 | 20 | 7.0 | 33.2 | 14.5 | 7.0 | 26.7 | 10.8 | 6 | 35 | 18 |
| QR1726.M06-025-T | 6 | 25 | 7.0 | 33.2 | 14.5 | 7.0 | 26.7 | 10.8 | 6 | 35 | 19 |
| QR1726.M06-030-T | 6 | 30 | 7.0 | 33.2 | 14.5 | 7.0 | 26.7 | 10.8 | 6 | 35 | 20 |
| QR1726.M06-035-T | 6 | 35 | 7.0 | 33.2 | 14.5 | 7.0 | 26.7 | 10.8 | 6 | 35 | 21 |
| QR1726.M06-040-T | 6 | 40 | 7.0 | 33.2 | 14.5 | 7.0 | 26.7 | 10.8 | 6 | 35 | 22 |
| QR1726.M06-045-T | 6 | 45 | 7.0 | 33.2 | 14.5 | 7.0 | 26.7 | 10.8 | 6 | 35 | 23 |
| QR1726.M06-050-T | 6 | 50 | 7.0 | 33.2 | 14.5 | 7.0 | 26.7 | 10.8 | 6 | 35 | 24 |
| QR1726.M08-020-T | 8 | 20 | 9.6 | 39.2 | 19.3 | 8.2 | 33.3 | 13.4 | 8 | 63 | 40 |
| QR1726.M08-025-T | 8 | 25 | 9.6 | 39.2 | 19.3 | 8.2 | 33.3 | 13.4 | 8 | 63 | 42 |
| QR1726.M08-030-T | 8 | 30 | 9.6 | 39.2 | 19.3 | 8.2 | 33.3 | 13.4 | 8 | 63 | 44 |
| QR1726.M08-035-T | 8 | 35 | 9.6 | 39.2 | 19.3 | 8.2 | 33.3 | 13.4 | 8 | 63 | 46 |
| QR1726.M08-040-T | 8 | 40 | 9.6 | 39.2 | 19.3 | 8.2 | 33.3 | 13.4 | 8 | 63 | 47 |
| QR1726.M08-045-T | 8 | 45 | 9.6 | 39.2 | 19.3 | 8.2 | 33.3 | 13.4 | 8 | 63 | 49 |
| QR1726.M08-050-T | 8 | 50 | 9.6 | 39.2 | 18.4 | 8.2 | 33.3 | 13.4 | 8 | 63 | 51 |
| QR1726.M10-020-T | 10 | 20 | 12.0 | 39.2 | 19.3 | 9.6 | 33.3 | 13.4 | 10 | 100 | 47 |
| QR1726.M10-025-T | 10 | 25 | 12.0 | 39.2 | 19.3 | 9.6 | 33.3 | 13.4 | 10 | 100 | 49 |
| QR1726.M10-030-T | 10 | 30 | 12.0 | 39.2 | 19.3 | 9.6 | 33.3 | 13.4 | 10 | 100 | 53 |
| QR1726.M10-035-T | 10 | 35 | 12.0 | 39.2 | 19.3 | 9.6 | 33.3 | 13.4 | 10 | 100 | 55 |
| QR1726.M10-040-T | 10 | 40 | 12.0 | 39.2 | 19.3 | 9.6 | 33.3 | 13.4 | 10 | 100 | 58 |

Quick Release Pins

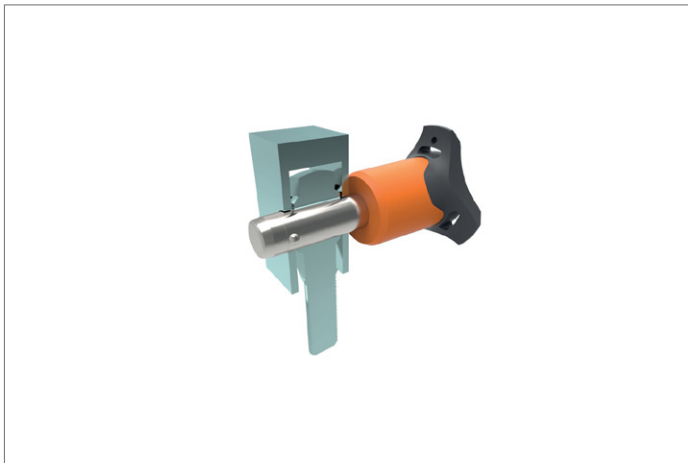
Ball Lock Pins - Single Acting - Blue

self-locking - stainless steel 1.4542 (AISI 630)



QUICK RELEASE PINS

| Order No. | d ₁ | l ₁ | d ₂ | d ₃ | d ₄ | l ₂ | l ₃ | l ₄ | Loc'n hole tol. H11 | Shearing resistance, double kN min. | Weight g |
|------------------|----------------|----------------|----------------|----------------|----------------|----------------|----------------|----------------|---------------------|-------------------------------------|----------|
| QR1726.M10-045-T | 10 | 45 | 12.0 | 39.2 | 19.3 | 9.6 | 33.3 | 13.4 | 10 | 100 | 61 |
| QR1726.M10-050-T | 10 | 50 | 12.0 | 39.2 | 19.3 | 9.6 | 33.3 | 13.4 | 10 | 100 | 64 |
| QR1726.M10-060-T | 10 | 60 | 12.0 | 39.2 | 19.3 | 9.6 | 33.3 | 13.4 | 10 | 100 | 70 |
| QR1726.M12-025-T | 12 | 25 | 14.5 | 47.6 | 26.3 | 10.6 | 39.7 | 16.7 | 12 | 144 | 96 |
| QR1726.M12-030-T | 12 | 30 | 14.5 | 47.6 | 26.3 | 10.6 | 39.7 | 16.7 | 12 | 144 | 100 |
| QR1726.M12-035-T | 12 | 35 | 14.5 | 47.6 | 26.3 | 10.6 | 39.7 | 16.7 | 12 | 144 | 105 |
| QR1726.M12-040-T | 12 | 40 | 14.5 | 47.6 | 26.3 | 10.6 | 39.7 | 16.7 | 12 | 144 | 109 |
| QR1726.M12-045-T | 12 | 45 | 14.5 | 47.6 | 26.3 | 10.6 | 39.7 | 16.7 | 12 | 144 | 113 |
| QR1726.M12-050-T | 12 | 50 | 14.5 | 47.6 | 26.3 | 10.6 | 39.7 | 16.7 | 12 | 144 | 117 |
| QR1726.M12-060-T | 12 | 60 | 14.5 | 47.6 | 26.3 | 10.6 | 39.7 | 16.7 | 12 | 144 | 126 |
| QR1726.M12-070-T | 12 | 70 | 14.5 | 47.6 | 26.3 | 10.6 | 39.7 | 16.7 | 12 | 144 | 134 |
| QR1726.M12-080-T | 12 | 80 | 14.5 | 47.6 | 26.3 | 10.6 | 39.7 | 16.7 | 12 | 144 | 143 |
| QR1726.M16-030-T | 16 | 30 | 19.0 | 47.6 | 26.3 | 14.0 | 39.7 | 16.7 | 16 | 257 | 132 |
| QR1726.M16-035-T | 16 | 35 | 19.0 | 47.6 | 26.3 | 14.0 | 39.7 | 16.7 | 16 | 257 | 140 |
| QR1726.M16-040-T | 16 | 40 | 19.0 | 47.6 | 26.3 | 14.0 | 39.7 | 16.7 | 16 | 257 | 148 |
| QR1726.M16-045-T | 16 | 45 | 19.0 | 47.6 | 26.3 | 14.0 | 39.7 | 16.7 | 16 | 257 | 155 |
| QR1726.M16-050-T | 16 | 50 | 19.0 | 47.6 | 26.3 | 14.0 | 39.7 | 16.7 | 16 | 257 | 168 |
| QR1726.M16-060-T | 16 | 60 | 19.0 | 47.6 | 26.3 | 14.0 | 39.7 | 16.7 | 16 | 257 | 178 |
| QR1726.M16-070-T | 16 | 70 | 19.0 | 47.6 | 26.3 | 14.0 | 39.7 | 16.7 | 16 | 257 | 194 |
| QR1726.M16-080-T | 16 | 80 | 19.0 | 47.6 | 26.3 | 14.0 | 39.7 | 16.7 | 16 | 257 | 208 |
| QR1726.M20-060-T | 20 | 60 | 25.0 | 57.1 | 35.4 | 20.5 | 50.7 | 21.5 | 20 | 403 | 343 |
| QR1726.M20-080-T | 20 | 80 | 25.0 | 57.1 | 35.4 | 20.5 | 50.7 | 21.5 | 20 | 403 | 392 |
| QR1726.M20-100-T | 20 | 100 | 25.0 | 57.1 | 35.4 | 20.5 | 50.7 | 21.5 | 20 | 403 | 440 |
| QR1726.M20-120-T | 20 | 120 | 25.0 | 57.1 | 33.8 | 20.5 | 50.7 | 21.5 | 20 | 403 | 488 |

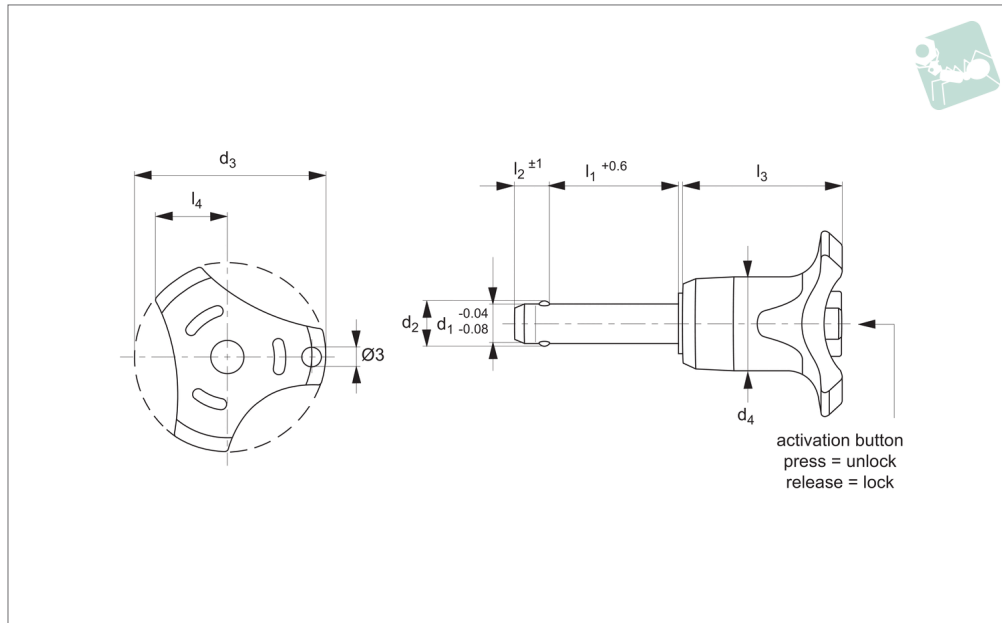




Ball Lock Pins - Single Acting - Orange

self-locking - stainless steel 1.4305 (AISI 303)

Quick Release Pins



QR1734

QUICK RELEASE PINS

Material

Pin: stainless steel 1,4542 (AISI 630)
 Ball: stainless steel 1.3541
 Spring: stainless steel.
 Handle: thermoplastic PA 6.
 Available colours: grey/orange, grey/blue, grey/grey.

Technical Notes

Pressing = unlocking.

Releasing = locking.

Temperature resistance -30°C to +80°C.
 For quick fastening and locking of frequently repeated connections.

Tips

For lanyards & retaining cables see part no.LA1066-LA1092. Easy install locating bushes available see part no.LA1310 + .

Important Notes

*Shearing resistance similar to DIN 50141.
 Also available in stainless grade 1.4542 (AISI 630) for higher shear forces, see part no.33060.

| Order No. | d ₁ | l ₁ | d ₂ | d ₃ | d ₄ | l ₂ | l ₃ | l ₄ | Loc'n hole tol. H11 | Shearing resistance, double kN min. | Weight g |
|------------------|----------------|----------------|----------------|----------------|----------------|----------------|----------------|----------------|---------------------|-------------------------------------|----------|
| QR1734.M05-010-S | 5 | 10 | 5.5 | 33.2 | 14.5 | 6.0 | 26.7 | 10.8 | 5 | 14 | 15 |
| QR1734.M05-015-S | 5 | 15 | 5.5 | 33.2 | 14.5 | 6.0 | 26.7 | 10.8 | 5 | 14 | 15 |
| QR1734.M05-020-S | 5 | 20 | 5.5 | 33.2 | 14.5 | 6.0 | 26.7 | 10.8 | 5 | 14 | 16 |
| QR1734.M05-025-S | 5 | 25 | 5.5 | 33.2 | 14.5 | 6.0 | 26.7 | 10.8 | 5 | 14 | 17 |
| QR1734.M05-030-S | 5 | 30 | 5.5 | 33.2 | 14.5 | 6.0 | 26.7 | 10.8 | 5 | 14 | 18 |
| QR1734.M06-010-S | 6 | 10 | 7.0 | 33.2 | 14.5 | 7.0 | 26.7 | 10.8 | 6 | 21 | 16 |
| QR1734.M06-015-S | 6 | 15 | 7.0 | 33.2 | 14.5 | 7.0 | 26.7 | 10.8 | 6 | 21 | 17 |
| QR1734.M06-020-S | 6 | 20 | 7.0 | 33.2 | 14.5 | 7.0 | 26.7 | 10.8 | 6 | 21 | 18 |
| QR1734.M06-025-S | 6 | 25 | 7.0 | 33.2 | 14.5 | 7.0 | 26.7 | 10.8 | 6 | 21 | 19 |
| QR1734.M06-030-S | 6 | 30 | 7.0 | 33.2 | 14.5 | 7.0 | 26.7 | 10.8 | 6 | 21 | 20 |
| QR1734.M06-035-S | 6 | 35 | 7.0 | 33.2 | 14.5 | 7.0 | 26.7 | 10.8 | 6 | 21 | 21 |
| QR1734.M06-040-S | 6 | 40 | 7.0 | 33.2 | 14.5 | 7.0 | 26.7 | 10.8 | 6 | 21 | 22 |
| QR1734.M06-045-S | 6 | 45 | 7.0 | 33.2 | 14.5 | 7.0 | 26.7 | 10.8 | 6 | 21 | 23 |
| QR1734.M06-050-S | 6 | 50 | 7.0 | 33.2 | 14.5 | 7.0 | 26.7 | 10.8 | 6 | 21 | 24 |
| QR1734.M08-020-S | 8 | 20 | 9.6 | 39.2 | 19.3 | 8.2 | 33.3 | 13.4 | 8 | 38 | 40 |
| QR1734.M08-025-S | 8 | 25 | 9.6 | 39.2 | 19.3 | 8.2 | 33.3 | 13.4 | 8 | 38 | 42 |
| QR1734.M08-030-S | 8 | 30 | 9.6 | 39.2 | 19.3 | 8.2 | 33.3 | 13.4 | 8 | 38 | 44 |
| QR1734.M08-035-S | 8 | 35 | 9.6 | 39.2 | 19.3 | 8.2 | 33.3 | 13.4 | 8 | 38 | 46 |
| QR1734.M08-040-S | 8 | 40 | 9.6 | 39.2 | 19.3 | 8.2 | 33.3 | 13.4 | 8 | 38 | 47 |
| QR1734.M08-045-S | 8 | 45 | 9.6 | 39.2 | 19.3 | 8.2 | 33.3 | 13.4 | 8 | 38 | 49 |
| QR1734.M08-050-S | 8 | 50 | 9.6 | 39.2 | 19.3 | 8.2 | 33.3 | 13.4 | 8 | 38 | 51 |
| QR1734.M10-020-S | 10 | 20 | 12.0 | 39.2 | 19.3 | 9.6 | 33.3 | 13.4 | 10 | 60 | 47 |
| QR1734.M10-025-S | 10 | 25 | 12.0 | 39.2 | 19.3 | 9.6 | 33.3 | 13.4 | 10 | 60 | 49 |
| QR1734.M10-030-S | 10 | 30 | 12.0 | 39.2 | 19.3 | 9.6 | 33.3 | 13.4 | 10 | 60 | 53 |
| QR1734.M10-035-S | 10 | 35 | 12.0 | 39.2 | 19.3 | 9.6 | 33.3 | 13.4 | 10 | 60 | 55 |
| QR1734.M10-040-S | 10 | 40 | 12.0 | 39.2 | 19.3 | 9.6 | 33.3 | 13.4 | 10 | 60 | 58 |
| QR1734.M10-045-S | 10 | 45 | 12.0 | 39.2 | 19.3 | 9.6 | 33.3 | 13.4 | 10 | 60 | 61 |

Quick Release Pins

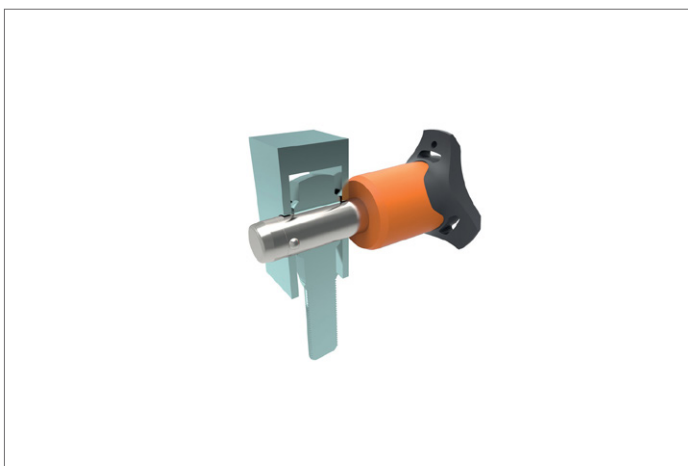
Ball Lock Pins - Single Acting - Orange

self-locking - stainless steel 1.4305 (AISI 303)



QUICK RELEASE PINS

| Order No. | d ₁ | l ₁ | d ₂ | d ₃ | d ₄ | l ₂ | l ₃ | l ₄ | Loc'n hole tol. H11 | Shearing resistance, double kN min. | Weight g |
|------------------|----------------|----------------|----------------|----------------|----------------|----------------|----------------|----------------|---------------------|-------------------------------------|----------|
| QR1734.M10-050-S | 10 | 50 | 12.0 | 39.2 | 19.3 | 9.6 | 33.3 | 13.4 | 10 | 60 | 64 |
| QR1734.M10-060-S | 10 | 60 | 12.0 | 39.2 | 19.3 | 9.6 | 33.3 | 13.4 | 10 | 60 | 70 |
| QR1734.M12-025-S | 12 | 25 | 14.5 | 47.6 | 26.3 | 10.6 | 39.7 | 16.7 | 12 | 87 | 96 |
| QR1734.M12-030-S | 12 | 30 | 14.5 | 47.6 | 26.3 | 10.6 | 39.7 | 16.7 | 12 | 87 | 100 |
| QR1734.M12-035-S | 12 | 35 | 14.5 | 47.6 | 26.3 | 10.6 | 39.7 | 16.7 | 12 | 87 | 105 |
| QR1734.M12-040-S | 12 | 40 | 14.5 | 47.6 | 26.3 | 10.6 | 39.7 | 16.7 | 12 | 87 | 109 |
| QR1734.M12-045-S | 12 | 45 | 14.5 | 47.6 | 26.3 | 10.6 | 39.7 | 16.7 | 12 | 87 | 113 |
| QR1734.M12-050-S | 12 | 50 | 14.5 | 47.6 | 26.3 | 10.6 | 39.7 | 16.7 | 12 | 87 | 117 |
| QR1734.M12-060-S | 12 | 60 | 14.5 | 47.6 | 26.3 | 10.6 | 39.7 | 16.7 | 12 | 87 | 126 |
| QR1734.M12-070-S | 12 | 70 | 14.5 | 47.6 | 26.3 | 10.6 | 39.7 | 16.7 | 12 | 87 | 134 |
| QR1734.M12-080-S | 12 | 80 | 14.5 | 47.6 | 26.3 | 10.6 | 39.7 | 16.7 | 12 | 87 | 143 |
| QR1734.M16-030-S | 16 | 30 | 19.0 | 47.6 | 26.3 | 14.0 | 39.7 | 16.7 | 16 | 155 | 132 |
| QR1734.M16-035-S | 16 | 35 | 19.0 | 47.6 | 26.3 | 14.0 | 39.7 | 16.7 | 16 | 155 | 140 |
| QR1734.M16-040-S | 16 | 40 | 19.0 | 47.6 | 26.3 | 14.0 | 39.7 | 16.7 | 16 | 155 | 148 |
| QR1734.M16-045-S | 16 | 45 | 19.0 | 47.6 | 26.3 | 14.0 | 39.7 | 16.7 | 16 | 155 | 155 |
| QR1734.M16-050-S | 16 | 50 | 19.0 | 47.6 | 26.3 | 14.0 | 39.7 | 16.7 | 16 | 155 | 168 |
| QR1734.M16-060-S | 16 | 60 | 19.0 | 47.6 | 26.3 | 14.0 | 39.7 | 16.7 | 16 | 155 | 178 |
| QR1734.M16-070-S | 16 | 70 | 19.0 | 47.6 | 26.3 | 14.0 | 39.7 | 16.7 | 16 | 155 | 194 |
| QR1734.M16-080-S | 16 | 80 | 19.0 | 47.6 | 26.3 | 14.0 | 39.7 | 16.7 | 16 | 155 | 208 |
| QR1734.M20-060-S | 20 | 60 | 25.0 | 57.1 | 35.4 | 20.5 | 50.7 | 21.5 | 20 | 244 | 343 |
| QR1734.M20-080-S | 20 | 80 | 25.0 | 57.1 | 35.4 | 20.5 | 50.7 | 21.5 | 20 | 244 | 392 |
| QR1734.M20-100-S | 20 | 100 | 25.0 | 57.1 | 35.4 | 20.5 | 50.7 | 21.5 | 20 | 244 | 440 |
| QR1734.M20-120-S | 20 | 120 | 25.0 | 57.1 | 35.4 | 20.5 | 50.7 | 21.5 | 20 | 244 | 488 |

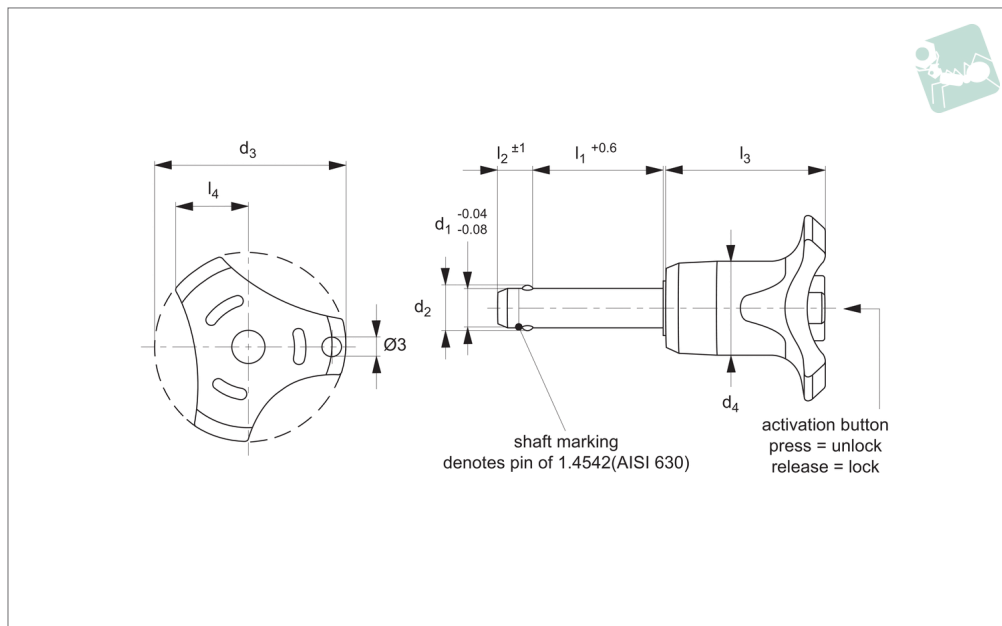




Ball Lock Pins - Single Acting - Orange

self-locking - stainless steel 1.4542 (AISI 630)

Quick Release Pins



QR1736

QUICK RELEASE PINS

Material

Pin: stainless steel 1,4542 (AISI 630), precipitation hardened, blast finish. (marked at end of shaft to denote 1.4542 material).
 Ball: stainless steel 1.3541
 Spring: stainless steel.
 Handle: thermoplastic PA 6.
 Available colours: grey/orange, grey/blue, grey/grey, black/black.

Technical Notes

Pressing = unlocking.
 Releasing = locking.
 Temperature resistance -30°C to +80°C.
 For quick fastening and locking of frequently repeated connections.

Tips

For lanyards & retaining cables see part no. LA1066. Easy install locating bushes

available see part no. LA1310.

Important Notes

Extreme load capacity due to high material grade.
 *Shearing resistance similar to DIN 50141. Also available in stainless grade 1.4305 (AISI 303), see part no. 33080.

| Order No. | d ₁ | l ₁ | d ₂ | d ₃ | d ₄ | l ₂ | l ₃ | l ₄ | Loc'n hole tol. H11 | Shearing resistance, double kN min. | Weight g |
|------------------|----------------|----------------|----------------|----------------|----------------|----------------|----------------|----------------|---------------------|-------------------------------------|----------|
| QR1736.M05-010-T | 5 | 10 | 5.5 | 33.2 | 14.5 | 6.0 | 26.7 | 10.8 | 5 | 24 | 15 |
| QR1736.M05-015-T | 5 | 15 | 5.5 | 33.2 | 14.5 | 6.0 | 26.7 | 10.8 | 5 | 24 | 15 |
| QR1736.M05-020-T | 5 | 20 | 5.5 | 33.2 | 14.5 | 6.0 | 26.7 | 10.8 | 5 | 24 | 16 |
| QR1736.M05-025-T | 5 | 25 | 5.5 | 33.2 | 14.5 | 6.0 | 26.7 | 10.8 | 5 | 24 | 17 |
| QR1736.M05-030-T | 5 | 30 | 5.5 | 33.2 | 14.5 | 6.0 | 26.7 | 10.8 | 5 | 24 | 18 |
| QR1736.M06-010-T | 6 | 10 | 7.0 | 33.2 | 14.5 | 7.0 | 26.7 | 10.8 | 6 | 35 | 16 |
| QR1736.M06-015-T | 6 | 15 | 7.0 | 33.2 | 14.5 | 7.0 | 26.7 | 10.8 | 6 | 35 | 17 |
| QR1736.M06-020-T | 6 | 20 | 7.0 | 33.2 | 14.5 | 7.0 | 26.7 | 10.8 | 6 | 35 | 18 |
| QR1736.M06-025-T | 6 | 25 | 7.0 | 33.2 | 14.5 | 7.0 | 26.7 | 10.8 | 6 | 35 | 19 |
| QR1736.M06-030-T | 6 | 30 | 7.0 | 33.2 | 14.5 | 7.0 | 26.7 | 10.8 | 6 | 35 | 20 |
| QR1736.M06-035-T | 6 | 35 | 7.0 | 33.2 | 14.5 | 7.0 | 26.7 | 10.8 | 6 | 35 | 21 |
| QR1736.M06-040-T | 6 | 40 | 7.0 | 33.2 | 14.5 | 7.0 | 26.7 | 10.8 | 6 | 35 | 22 |
| QR1736.M06-045-T | 6 | 45 | 7.0 | 33.2 | 14.5 | 7.0 | 26.7 | 10.8 | 6 | 35 | 23 |
| QR1736.M06-050-T | 6 | 50 | 7.0 | 33.2 | 14.5 | 7.0 | 26.7 | 10.8 | 6 | 35 | 24 |
| QR1736.M08-020-T | 8 | 20 | 9.6 | 39.2 | 19.3 | 8.2 | 33.3 | 13.4 | 8 | 63 | 40 |
| QR1736.M08-025-T | 8 | 25 | 9.6 | 39.2 | 19.3 | 8.2 | 33.3 | 13.4 | 8 | 63 | 42 |
| QR1736.M08-030-T | 8 | 30 | 9.6 | 39.2 | 19.3 | 8.2 | 33.3 | 13.4 | 8 | 63 | 44 |
| QR1736.M08-035-T | 8 | 35 | 9.6 | 39.2 | 19.3 | 8.2 | 33.3 | 13.4 | 8 | 63 | 46 |
| QR1736.M08-040-T | 8 | 40 | 9.6 | 39.2 | 19.3 | 8.2 | 33.3 | 13.4 | 8 | 63 | 47 |
| QR1736.M08-045-T | 8 | 45 | 9.6 | 39.2 | 19.3 | 8.2 | 33.3 | 13.4 | 8 | 63 | 49 |
| QR1736.M08-050-T | 8 | 50 | 9.6 | 39.2 | 19.3 | 8.2 | 33.3 | 13.4 | 8 | 63 | 51 |
| QR1736.M10-020-T | 10 | 20 | 12.0 | 39.2 | 19.3 | 9.6 | 33.3 | 13.4 | 10 | 100 | 47 |
| QR1736.M10-025-T | 10 | 25 | 12.0 | 39.2 | 19.3 | 9.6 | 33.3 | 13.4 | 10 | 100 | 49 |
| QR1736.M10-030-T | 10 | 30 | 12.0 | 39.2 | 19.3 | 9.6 | 33.3 | 13.4 | 10 | 100 | 53 |
| QR1736.M10-035-T | 10 | 35 | 12.0 | 39.2 | 19.3 | 9.6 | 33.3 | 13.4 | 10 | 100 | 55 |
| QR1736.M10-040-T | 10 | 40 | 12.0 | 39.2 | 19.3 | 9.6 | 33.3 | 13.4 | 10 | 100 | 58 |

Quick Release Pins

Ball Lock Pins - Single Acting - Orange

self-locking - stainless steel 1.4542 (AISI 630)



QUICK RELEASE PINS

| Order No. | d ₁ | l ₁ | d ₂ | d ₃ | d ₄ | l ₂ | l ₃ | l ₄ | Loc'n hole tol. H11 | Shearing resistance, double kN min. | Weight g |
|------------------|----------------|----------------|----------------|----------------|----------------|----------------|----------------|----------------|---------------------|-------------------------------------|----------|
| QR1736.M10-045-T | 10 | 45 | 12.0 | 39.2 | 19.3 | 9.6 | 33.3 | 13.4 | 10 | 100 | 61 |
| QR1736.M10-050-T | 10 | 50 | 12.0 | 39.2 | 19.3 | 9.6 | 33.3 | 13.4 | 10 | 100 | 64 |
| QR1736.M10-060-T | 10 | 60 | 12.0 | 39.2 | 19.3 | 9.6 | 33.3 | 13.4 | 10 | 100 | 70 |
| QR1736.M12-025-T | 12 | 25 | 14.5 | 47.6 | 26.3 | 10.6 | 39.7 | 16.7 | 12 | 144 | 96 |
| QR1736.M12-030-T | 12 | 30 | 14.5 | 47.6 | 26.3 | 10.6 | 39.7 | 16.7 | 12 | 144 | 100 |
| QR1736.M12-035-T | 12 | 35 | 14.5 | 47.6 | 26.3 | 10.6 | 39.7 | 16.7 | 12 | 144 | 105 |
| QR1736.M12-040-T | 12 | 40 | 14.5 | 47.6 | 26.3 | 10.6 | 39.7 | 16.7 | 12 | 144 | 109 |
| QR1736.M12-045-T | 12 | 45 | 14.5 | 47.6 | 26.3 | 10.6 | 39.7 | 16.7 | 12 | 144 | 113 |
| QR1736.M12-050-T | 12 | 50 | 14.5 | 47.6 | 26.3 | 10.6 | 39.7 | 16.7 | 12 | 144 | 117 |
| QR1736.M12-060-T | 12 | 60 | 14.5 | 47.6 | 26.3 | 10.6 | 39.7 | 16.7 | 12 | 144 | 126 |
| QR1736.M12-070-T | 12 | 70 | 14.5 | 47.6 | 26.3 | 10.6 | 39.7 | 16.7 | 12 | 144 | 134 |
| QR1736.M12-080-T | 12 | 80 | 14.5 | 47.6 | 26.3 | 10.6 | 39.7 | 16.7 | 12 | 144 | 143 |
| QR1736.M16-030-T | 16 | 30 | 19.0 | 47.6 | 26.3 | 14.0 | 39.7 | 16.7 | 16 | 257 | 132 |
| QR1736.M16-035-T | 16 | 35 | 19.0 | 47.6 | 26.3 | 14.0 | 39.7 | 16.7 | 16 | 257 | 140 |
| QR1736.M16-040-T | 16 | 40 | 19.0 | 47.6 | 26.3 | 14.0 | 39.7 | 16.7 | 16 | 257 | 148 |
| QR1736.M16-045-T | 16 | 45 | 19.0 | 47.6 | 26.3 | 14.0 | 39.7 | 16.7 | 16 | 257 | 155 |
| QR1736.M16-050-T | 16 | 50 | 19.0 | 47.6 | 26.3 | 14.0 | 39.7 | 16.7 | 16 | 257 | 168 |
| QR1736.M16-060-T | 16 | 60 | 19.0 | 47.6 | 26.3 | 14.0 | 39.7 | 16.7 | 16 | 257 | 178 |
| QR1736.M16-070-T | 16 | 70 | 19.0 | 47.6 | 26.3 | 14.0 | 39.7 | 16.7 | 16 | 257 | 194 |
| QR1736.M16-080-T | 16 | 80 | 19.0 | 47.6 | 26.3 | 14.0 | 39.7 | 16.7 | 16 | 257 | 208 |
| QR1736.M20-060-T | 20 | 60 | 25.0 | 57.1 | 35.4 | 20.5 | 50.7 | 21.5 | 20 | 403 | 343 |
| QR1736.M20-080-T | 20 | 80 | 25.0 | 57.1 | 35.4 | 20.5 | 50.7 | 21.5 | 20 | 403 | 392 |
| QR1736.M20-100-T | 20 | 100 | 25.0 | 57.1 | 35.4 | 20.5 | 50.7 | 21.5 | 20 | 403 | 440 |
| QR1736.M20-120-T | 20 | 120 | 25.0 | 57.1 | 35.4 | 20.5 | 50.7 | 21.5 | 20 | 403 | 488 |

