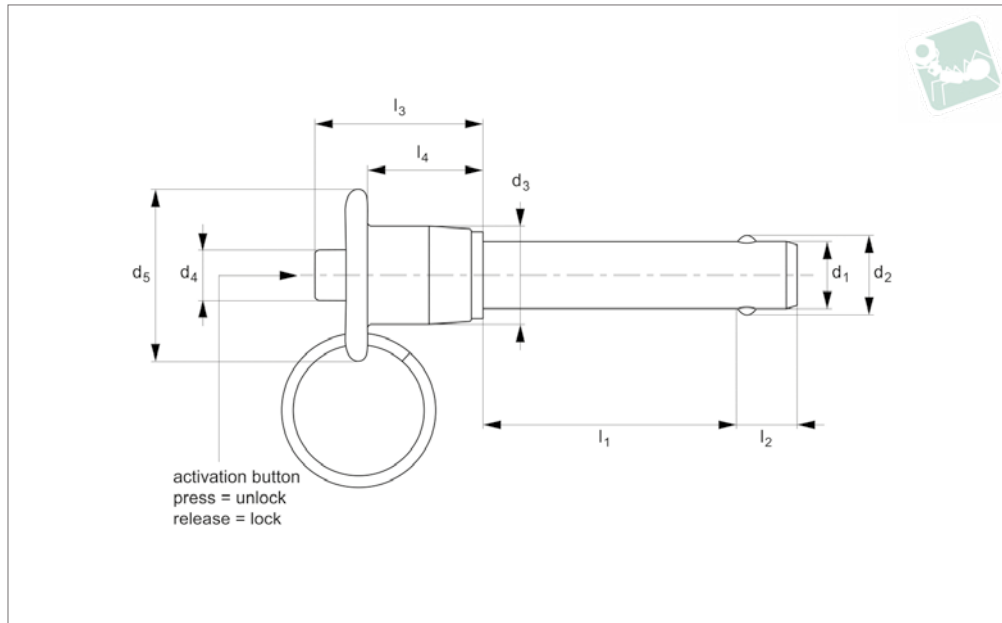




# Quick Release Pins - Metric - B-handle steel pin

# Quick Release Pins



## QR1212

QUICK RELEASE PINS

### Material

Pin: alloy steel, 4130 (DIN 1.7218), Zinc plated clear chromate. Tensile strength 1,100 N/mm<sup>2</sup> min. RoHS compliant.  
Handle: Alu. 2024-T4 (DIN AlCuMg2), black anodised (RAL 9003).  
Actuator button: Alu. 2024-T4 (DIN AlCuMg2), anodised blue or clear.

Internal spindle, balls and split ring (supplied); from stainless steel.

### Technical Notes

Pressing = unlocking.  
Releasing = locking.  
Temperature range -30°C to +150°C  
Supplied with split ring.

### Tips

For quick fastening and locking frequently repeated connections.  
For lanyards & retaining cables see part nos. L to LA1224. For easy install locating bushes and end caps see part nos. LA1260 to LA1355.

Order No.	d <sub>1</sub> nom.	l <sub>1</sub> grip +0.50 - 0.00	Material	d <sub>1</sub> max.	d <sub>1</sub> min.	d <sub>2</sub> ±0.25	d <sub>3</sub>	d <sub>4</sub>	d <sub>5</sub>	l <sub>2</sub> ±1.00	l <sub>3</sub>	l <sub>4</sub>	Loc'n hole min.  max.	Pull out strength kN min.	Calc. double shear kN
QR1212.M05-010-C	5	10	4130 Steel	4.96	4.92	5.54	11.9	5.8	20.6	6	23.4	16.0	5,0/ 5,1	0.89	21.6
QR1212.M05-015-C	5	15	4130 Steel	4.96	4.92	5.54	11.9	5.8	20.6	6	23.4	16.0	5,0/ 5,1	0.89	21.6
QR1212.M05-020-C	5	20	4130 Steel	4.96	4.92	5.54	11.9	5.8	20.6	6	23.4	16.0	5,0/ 5,1	0.89	21.6
QR1212.M05-025-C	5	25	4130 Steel	4.96	4.92	5.54	11.9	5.8	20.6	6	23.4	16.0	5,0/ 5,1	0.89	21.6
QR1212.M05-030-C	5	30	4130 Steel	4.96	4.92	5.54	11.9	5.8	20.6	6	23.4	16.0	5,0/ 5,1	0.89	21.6
QR1212.M05-035-C	5	35	4130 Steel	4.96	4.92	5.54	11.9	5.8	20.6	6	23.4	16.0	5,0/ 5,1	0.89	21.6
QR1212.M05-040-C	5	40	4130 Steel	4.96	4.92	5.54	11.9	5.8	20.6	6	23.4	16.0	5,0/ 5,1	0.89	21.6
QR1212.M05-045-C	5	45	4130 Steel	4.96	4.92	5.54	11.9	5.8	20.6	6	23.4	16.0	5,0/ 5,1	0.89	21.6
QR1212.M05-050-C	5	50	4130 Steel	4.96	4.92	5.54	11.9	5.8	20.6	6	23.4	16.0	5,0/ 5,1	0.89	21.6
QR1212.M05-060-C	5	60	4130 Steel	4.96	4.92	5.54	11.9	5.8	20.6	6	23.4	16.0	5,0/ 5,1	0.89	21.6
QR1212.M05-070-C	5	70	4130 Steel	4.96	4.92	5.54	11.9	5.8	20.6	6	23.4	16.0	5,0/ 5,1	0.89	21.6
QR1212.M05-080-C	5	80	4130 Steel	4.96	4.92	5.54	11.9	5.8	20.6	6	23.4	16.0	5,0/ 5,1	0.89	21.6
QR1212.M05-090-C	5	90	4130 Steel	4.96	4.92	5.54	11.9	5.8	20.6	6	23.4	16.0	5,0/ 5,1	0.89	21.6
QR1212.M05-100-C	5	100	4130 Steel	4.96	4.92	5.54	11.9	5.8	20.6	6	23.4	16.0	5,0/ 5,1	0.89	21.6

# Quick Release Pins

# Quick Release Pins - Metric - B-handle steel pin



QUICK RELEASE PINS

Order No.	d <sub>1</sub> nom.	l <sub>1</sub> grip +0.50 - 0.00	Material	d <sub>1</sub> max.	d <sub>1</sub> min.	d <sub>2</sub> ±0.25	d <sub>3</sub>	d <sub>4</sub>	d <sub>5</sub>	l <sub>2</sub> ±1.00	l <sub>3</sub>	l <sub>4</sub>	Loc'n hole min.  max.	Pull out strength kN min.	Calc. double shear kN
QR1212.M06-010-C	6	10	4130 Steel	5.96	5.92	6.99	11.9	5.8	20.6	7	23.4	16.0	6,0/ 6,1	1.02	31.69
QR1212.M06-015-C	6	15	4130 Steel	5.96	5.92	6.99	11.9	5.8	20.6	7	23.4	16.0	6,0/ 6,1	1.02	31.69
QR1212.M06-020-C	6	20	4130 Steel	5.96	5.92	6.99	11.9	5.8	20.6	7	23.4	16.0	6,0/ 6,1	1.02	31.69
QR1212.M06-025-C	6	25	4130 Steel	5.96	5.92	6.99	11.9	5.8	20.6	7	23.4	16.0	6,0/ 6,1	1.02	31.69
QR1212.M06-030-C	6	30	4130 Steel	5.96	5.92	6.99	11.9	5.8	20.6	7	23.4	16.0	6,0/ 6,1	1.02	31.69
QR1212.M06-035-C	6	35	4130 Steel	5.96	5.92	6.99	11.9	5.8	20.6	7	23.4	16.0	6,0/ 6,1	1.02	31.69
QR1212.M06-040-C	6	40	4130 Steel	5.96	5.92	6.99	11.9	5.8	20.6	7	23.4	16.0	6,0/ 6,1	1.02	31.69
QR1212.M06-045-C	6	45	4130 Steel	5.96	5.92	6.99	11.9	5.8	20.6	7	23.4	16.0	6,0/ 6,1	1.02	31.69
QR1212.M06-050-C	6	50	4130 Steel	5.96	5.92	6.99	11.9	5.8	20.6	7	23.4	16.0	6,0/ 6,1	1.02	31.69
QR1212.M06-060-C	6	60	4130 Steel	5.96	5.92	6.99	11.9	5.8	20.6	7	23.4	16.0	6,0/ 6,1	1.02	31.69
QR1212.M06-070-C	6	70	4130 Steel	5.96	5.92	6.99	11.9	5.8	20.6	7	23.4	16.0	6,0/ 6,1	1.02	31.69
QR1212.M06-080-C	6	80	4130 Steel	5.96	5.92	6.99	11.9	5.8	20.6	7	23.4	16.0	6,0/ 6,1	1.02	31.69
QR1212.M06-090-C	6	90	4130 Steel	5.96	5.92	6.99	11.9	5.8	20.6	7	23.4	16.0	6,0/ 6,1	1.02	31.69
QR1212.M06-100-C	6	100	4130 Steel	5.96	5.92	6.99	11.9	5.8	20.6	7	23.4	16.0	6,0/ 6,1	1.02	31.69
QR1212.M08-010-C	8	10	4130 Steel	7.96	7.92	9.42	11.9	5.8	20.6	8	23.4	16.0	8,0/ 8,1	2.30	56.71
QR1212.M08-015-C	8	15	4130 Steel	7.96	7.92	9.42	11.9	5.8	20.6	8	23.4	16.0	8,0/ 8,1	2.30	56.71
QR1212.M08-020-C	8	20	4130 Steel	7.96	7.92	9.42	11.9	5.8	20.6	8	23.4	16.0	8,0/ 8,1	2.30	56.71
QR1212.M08-025-C	8	25	4130 Steel	7.96	7.92	9.42	11.9	5.8	20.6	8	23.4	16.0	8,0/ 8,1	2.30	56.71
QR1212.M08-030-C	8	30	4130 Steel	7.96	7.92	9.42	11.9	5.8	20.6	8	23.4	16.0	8,0/ 8,1	2.30	56.71
QR1212.M08-035-C	8	35	4130 Steel	7.96	7.92	9.42	11.9	5.8	20.6	8	23.4	16.0	8,0/ 8,1	2.30	56.71
QR1212.M08-040-C	8	40	4130 Steel	7.96	7.92	9.42	11.9	5.8	20.6	8	23.4	16.0	8,0/ 8,1	2.30	56.71
QR1212.M08-045-C	8	45	4130 Steel	7.96	7.92	9.42	11.9	5.8	20.6	8	23.4	16.0	8,0/ 8,1	2.30	56.71
QR1212.M08-050-C	8	50	4130 Steel	7.96	7.92	9.42	11.9	5.8	20.6	8	23.4	16.0	8,0/ 8,1	2.30	56.71
QR1212.M08-060-C	8	60	4130 Steel	7.96	7.92	9.42	11.9	5.8	20.6	8	23.4	16.0	8,0/ 8,1	2.30	56.71
QR1212.M08-070-C	8	70	4130 Steel	7.96	7.92	9.42	11.9	5.8	20.6	8	23.4	16.0	8,0/ 8,1	2.30	56.71
QR1212.M08-080-C	8	80	4130 Steel	7.96	7.92	9.42	11.9	5.8	20.6	8	23.4	16.0	8,0/ 8,1	2.30	56.71
QR1212.M08-090-C	8	90	4130 Steel	7.96	7.92	9.42	11.9	5.8	20.6	8	23.4	16.0	8,0/ 8,1	2.30	56.71
QR1212.M08-100-C	8	100	4130 Steel	7.96	7.92	9.42	11.9	5.8	20.6	8	23.4	16.0	8,0/ 8,1	2.30	56.71
QR1212.M10-015-C	10	15	4130 Steel	9.96	9.92	11.8 6	14.2	7.4	25.4	9	25.7	17.8	10,0/ 10,1	2.56	88.98
QR1212.M10-020-C	10	20	4130 Steel	9.96	9.92	11.8 6	14.2	7.4	25.4	9	25.7	17.8	10,0/ 10,1	2.56	88.98
QR1212.M10-025-C	10	25	4130 Steel	9.96	9.92	11.8 6	14.2	7.4	25.4	9	25.7	17.8	10,0/ 10,1	2.56	88.98
QR1212.M10-030-C	10	30	4130 Steel	9.96	9.92	11.8 6	14.2	7.4	25.4	9	25.7	17.8	10,0/ 10,1	2.56	88.98
QR1212.M10-035-C	10	35	4130 Steel	9.96	9.92	11.8 6	14.2	7.4	25.4	9	25.7	17.8	10,0/ 10,1	2.56	88.98



# Quick Release Pins - Metric - B-handle steel pin

## Quick Release Pins

Order No.	d <sub>1</sub> nom.	l <sub>1</sub> grip +0.50 - 0.00	Material	d <sub>1</sub> max.	d <sub>1</sub> min.	d <sub>2</sub> ±0.25	d <sub>3</sub>	d <sub>4</sub>	d <sub>5</sub>	l <sub>2</sub> ±1.00	l <sub>3</sub>	l <sub>4</sub>	Loc'n hole min.   max.	Pull out strength kN min.	Calc. double shear kN
QR1212.M10-040-C	10	40	4130 Steel	9.96	9.92	11.8 6	14.2	7.4	25.4	9	25.7	17.8	10,0/ 10,1	2.56	88.98
QR1212.M10-045-C	10	45	4130 Steel	9.96	9.92	11.8 6	14.2	7.4	25.4	9	25.7	17.8	10,0/ 10,1	2.56	88.98
QR1212.M10-050-C	10	50	4130 Steel	9.96	9.92	11.8 6	14.2	7.4	25.4	9	25.7	17.8	10,0/ 10,1	2.56	88.98
QR1212.M10-060-C	10	60	4130 Steel	9.96	9.92	11.8 6	14.2	7.4	25.4	9	25.7	17.8	10,0/ 10,1	2.56	88.98
QR1212.M10-070-C	10	70	4130 Steel	9.96	9.92	11.8 6	14.2	7.4	25.4	9	25.7	17.8	10,0/ 10,1	2.56	88.98
QR1212.M10-080-C	10	80	4130 Steel	9.96	9.92	11.8 6	14.2	7.4	25.4	9	25.7	17.8	10,0/ 10,1	2.56	88.98
QR1212.M10-090-C	10	90	4130 Steel	9.96	9.92	11.8 6	14.2	7.4	25.4	9	25.7	17.8	10,0/ 10,1	2.56	88.98
QR1212.M10-100-C	10	100	4130 Steel	9.96	9.92	11.8 6	14.2	7.4	25.4	9	25.7	17.8	10,0/ 10,1	2.56	88.98
QR1212.M12-020-C	12	20	4130 Steel	11.9	11.9	14.4 5	18.3	10.7	34.7	10	32.3	21.6	12,0/ 12,1	5.16	128.05
QR1212.M12-025-C	12	25	4130 Steel	11.9	11.9	14.4 5	18.3	10.7	34.7	10	32.3	21.6	12,0/ 12,1	5.16	128.05
QR1212.M12-030-C	12	30	4130 Steel	11.9	11.9	14.4 5	18.3	10.7	34.7	10	32.3	21.6	12,0/ 12,1	5.16	128.05
QR1212.M12-035-C	12	35	4130 Steel	11.9	11.9	14.4 5	18.3	10.7	34.7	10	32.3	21.6	12,0/ 12,1	5.16	128.05
QR1212.M12-040-C	12	40	4130 Steel	11.9	11.9	14.4 5	18.3	10.7	34.7	10	32.3	21.6	12,0/ 12,1	5.16	128.05
QR1212.M12-045-C	12	45	4130 Steel	11.9	11.9	14.4 5	18.3	10.7	34.7	10	32.3	21.6	12,0/ 12,1	5.16	128.05
QR1212.M12-050-C	12	50	4130 Steel	11.9	11.9	14.4 5	18.3	10.7	34.7	10	32.3	21.6	12,0/ 12,1	5.16	128.05
QR1212.M12-060-C	12	60	4130 Steel	11.9	11.9	14.4 5	18.3	10.7	34.7	10	32.3	21.6	12,0/ 12,1	5.16	128.05
QR1212.M12-070-C	12	70	4130 Steel	11.9	11.9	14.4 5	18.3	10.7	34.7	10	32.3	21.6	12,0/ 12,1	5.16	128.05
QR1212.M12-080-C	12	80	4130 Steel	11.9	11.9	14.4 5	18.3	10.7	34.7	10	32.3	21.6	12,0/ 12,1	5.16	128.05
QR1212.M12-090-C	12	90	4130 Steel	11.9	11.9	14.4 5	18.3	10.7	34.7	10	32.3	21.6	12,0/ 12,1	5.16	128.05
QR1212.M12-100-C	12	100	4130 Steel	11.9	11.9	14.4 5	18.3	10.7	34.7	10	32.3	21.6	12,0/ 12,1	5.16	128.05
QR1212.M16-025-C	16	25	4130 Steel	15.9	15.9	19.0 0	23.9	13.7	44.5	14	41.9	27.9	16,0/ 16,1	9.21	228.60
QR1212.M16-030-C	16	30	4130 Steel	15.9	15.9	19.0 0	23.9	13.7	44.5	14	41.9	27.9	16,0/ 16,1	9.21	228.60
QR1212.M16-035-C	16	35	4130 Steel	15.9	15.9	19.0 0	23.9	13.7	44.5	14	41.9	27.9	16,0/ 16,1	9.21	228.60
QR1212.M16-040-C	16	40	4130 Steel	15.9	15.9	19.0 0	23.9	13.7	44.5	14	41.9	27.9	16,0/ 16,1	9.21	228.60
QR1212.M16-045-C	16	45	4130 Steel	15.9	15.9	19.0 0	23.9	13.7	44.5	14	41.9	27.9	16,0/ 16,1	9.21	228.60
QR1212.M16-050-C	16	50	4130 Steel	15.9	15.9	19.0 0	23.9	13.7	44.5	14	41.9	27.9	16,0/ 16,1	9.21	228.60
QR1212.M16-060-C	16	60	4130 Steel	15.9	15.9	19.0 0	23.9	13.7	44.5	14	41.9	27.9	16,0/ 16,1	9.21	228.60
QR1212.M16-070-C	16	70	4130 Steel	15.9	15.9	19.0 0	23.9	13.7	44.5	14	41.9	27.9	16,0/ 16,1	9.21	228.60
QR1212.M16-080-C	16	80	4130 Steel	15.9	15.9	19.0 0	23.9	13.7	44.5	14	41.9	27.9	16,0/ 16,1	9.21	228.60
QR1212.M16-090-C	16	90	4130 Steel	15.9	15.9	19.0 0	23.9	13.7	44.5	14	41.9	27.9	16,0/ 16,1	9.21	228.60
QR1212.M16-100-C	16	100	4130 Steel	15.9	15.9	19.0 0	23.9	13.7	44.5	14	41.9	27.9	16,0/ 16,1	9.21	228.60

QUICK RELEASE PINS

# Quick Release Pins

# Quick Release Pins - Metric - B-handle

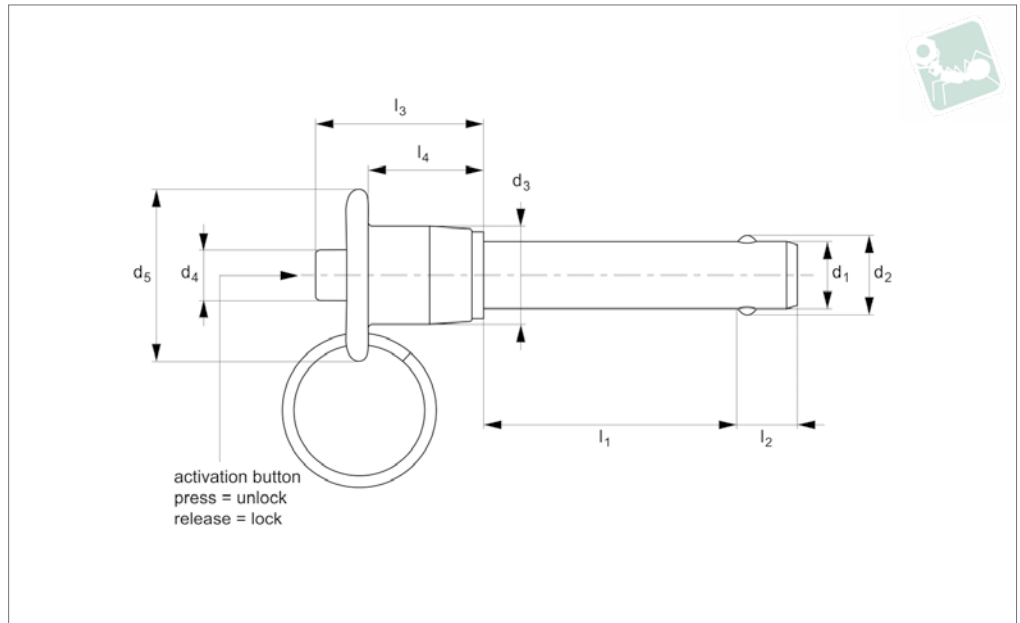
precipitation hardened stainless pin



QUICK RELEASE PINS



## QR1216



### Material

Pin: stainless steel 17-4PH (DIN 1.4542, AISI 630), precipitation hardened, passivated. Tensile strength 1,300 N/mm<sup>2</sup> min. HRC 40. RoHS compliant.  
Handle: Alu. 2024-T4 (DIN AlCuMg2), black anodised (RAL 9003).  
Actuator button: Alu. 2024-T4 (DIN AlCuMg2), anodised blue or clear.

Internal spindle, balls and split ring (supplied); from stainless steel.

### Technical Notes

Pressing = unlocking.  
Releasing = locking.  
Temperature range -30°C to +150°C  
**Supplied with split ring.**

### Tips

For quick fastening and locking frequently repeated connections.  
For lanyards & retaining cables see part nos. L to LA1224. For easy install locating bushes and end caps see part nos. LA1260 to LA1355.

Order No.	d <sub>1</sub> nom.	l <sub>1</sub> grip +0.50 - 0.00	Material	d <sub>1</sub> max.	d <sub>1</sub> min.	d <sub>2</sub> ±0.25	d <sub>3</sub>	d <sub>4</sub>	d <sub>5</sub>	l <sub>2</sub> ±1.00	l <sub>3</sub>	l <sub>4</sub>	Loc'n hole min.  max.	Pull out strength kN min.	Calc. double shear kN
QR1216.M05-010-T	5	10	17-4 PH	4.96	4.92	5.54	11.9	5.8	20.6	6	23.4	16.0	5,0/5,1	0.89	24.4
QR1216.M05-015-T	5	15	17-4 PH	4.96	4.92	5.54	11.9	5.8	20.6	6	23.4	16.0	5,0/5,1	0.89	24.4
QR1216.M05-020-T	5	20	17-4 PH	4.96	4.92	5.54	11.9	5.8	20.6	6	23.4	16.0	5,0/5,1	0.89	24.4
QR1216.M05-025-T	5	25	17-4 PH	4.96	4.92	5.54	11.9	5.8	20.6	6	23.4	16.0	5,0/5,1	0.89	24.4
QR1216.M05-030-T	5	30	17-4 PH	4.96	4.92	5.54	11.9	5.8	20.6	6	23.4	16.0	5,0/5,1	0.89	24.4
QR1216.M05-035-T	5	35	17-4 PH	4.96	4.92	5.54	11.9	5.8	20.6	6	23.4	16.0	5,0/5,1	0.89	24.4
QR1216.M05-040-T	5	40	17-4 PH	4.96	4.92	5.54	11.9	5.8	20.6	6	23.4	16.0	5,0/5,1	0.89	24.4
QR1216.M05-045-T	5	45	17-4 PH	4.96	4.92	5.54	11.9	5.8	20.6	6	23.4	16.0	5,0/5,1	0.89	24.4
QR1216.M05-050-T	5	50	17-4 PH	4.96	4.92	5.54	11.9	5.8	20.6	6	23.4	16.0	5,0/5,1	0.89	24.4
QR1216.M05-060-T	5	60	17-4 PH	4.96	4.92	5.54	11.9	5.8	20.6	6	23.4	16.0	5,0/5,1	0.89	24.4
QR1216.M05-070-T	5	70	17-4 PH	4.96	4.92	5.54	11.9	5.8	20.6	6	23.4	16.0	5,0/5,1	0.89	24.4
QR1216.M05-080-T	5	80	17-4 PH	4.96	4.92	5.54	11.9	5.8	20.6	6	23.4	16.0	5,0/5,1	0.89	24.4
QR1216.M05-090-T	5	90	17-4 PH	4.96	4.92	5.54	11.9	5.8	20.6	6	23.4	16.0	5,0/5,1	0.89	24.4



# Quick Release Pins - Metric - B-handle

precipitation hardened stainless pin

## Quick Release Pins

Order No.	d <sub>1</sub> nom.	l <sub>1</sub> grip +0.50 - 0.00	Material	d <sub>1</sub> max.	d <sub>1</sub> min.	d <sub>2</sub> ±0.25	d <sub>3</sub>	d <sub>4</sub>	d <sub>5</sub>	l <sub>2</sub> ±1.00	l <sub>3</sub>	l <sub>4</sub>	Loc'n hole min.   max.	Pull out strength kN min.	Calc. double shear kN
QR1216.M05-100-T	5	100	17-4 PH	4.96	4.92	5.54	11.9	5.8	20.6	6	23.4	16.0	5,0/5,1	0.89	24.4
QR1216.M06-010-T	6	10	17-4 PH	5.96	5.92	6.99	11.9	5.8	20.6	7	23.4	16.0	6,0/6,1	1.02	35.64
QR1216.M06-015-T	6	15	17-4 PH	5.96	5.92	6.99	11.9	5.8	20.6	7	23.4	16.0	6,0/6,1	1.02	35.64
QR1216.M06-020-T	6	20	17-4 PH	5.96	5.92	6.99	11.9	5.8	20.6	7	23.4	16.0	6,0/6,1	1.02	35.64
QR1216.M06-025-T	6	25	17-4 PH	5.96	5.92	6.99	11.9	5.8	20.6	7	23.4	16.0	6,0/6,1	1.02	35.64
QR1216.M06-030-T	6	30	17-4 PH	5.96	5.92	6.99	11.9	5.8	20.6	7	23.4	16.0	6,0/6,1	1.02	35.64
QR1216.M06-035-T	6	35	17-4 PH	5.96	5.92	6.99	11.9	5.8	20.6	7	23.4	16.0	6,0/6,1	1.02	35.64
QR1216.M06-040-T	6	40	17-4 PH	5.96	5.92	6.99	11.9	5.8	20.6	7	23.4	16.0	6,0/6,1	1.02	35.64
QR1216.M06-045-T	6	45	17-4 PH	5.96	5.92	6.99	11.9	5.8	20.6	7	23.4	16.0	6,0/6,1	1.02	35.64
QR1216.M06-050-T	6	50	17-4 PH	5.96	5.92	6.99	11.9	5.8	20.6	7	23.4	16.0	6,0/6,1	1.02	35.64
QR1216.M06-060-T	6	60	17-4 PH	5.96	5.92	6.99	11.9	5.8	20.6	7	23.4	16.0	6,0/6,1	1.02	35.64
QR1216.M06-070-T	6	70	17-4 PH	5.96	5.92	6.99	11.9	5.8	20.6	7	23.4	16.0	6,0/6,1	1.02	35.64
QR1216.M06-080-T	6	80	17-4 PH	5.96	5.92	6.99	11.9	5.8	20.6	7	23.4	16.0	6,0/6,1	1.02	35.64
QR1216.M06-090-T	6	90	17-4 PH	5.96	5.92	6.99	11.9	5.8	20.6	7	23.4	16.0	6,0/6,1	1.02	35.64
QR1216.M06-100-T	6	100	17-4 PH	5.96	5.92	6.99	11.9	5.8	20.6	7	23.4	16.0	6,0/6,1	1.02	35.64
QR1216.M08-010-T	8	10	17-4 PH	7.96	7.92	9.42	11.9	5.8	20.6	8	23.4	16.0	8,0/8,1	2.30	63.80
QR1216.M08-015-T	8	15	17-4 PH	7.96	7.92	9.42	11.9	5.8	20.6	8	23.4	16.0	8,0/8,1	2.30	63.80
QR1216.M08-020-T	8	20	17-4 PH	7.96	7.92	9.42	11.9	5.8	20.6	8	23.4	16.0	8,0/8,1	2.30	63.80
QR1216.M08-025-T	8	25	17-4 PH	7.96	7.92	9.42	11.9	5.8	20.6	8	23.4	16.0	8,0/8,1	2.30	63.80
QR1216.M08-030-T	8	30	17-4 PH	7.96	7.92	9.42	11.9	5.8	20.6	8	23.4	16.0	8,0/8,1	2.30	63.80
QR1216.M08-035-T	8	35	17-4 PH	7.96	7.92	9.42	11.9	5.8	20.6	8	23.4	16.0	8,0/8,1	2.30	63.80
QR1216.M08-040-T	8	40	17-4 PH	7.96	7.92	9.42	11.9	5.8	20.6	8	23.4	16.0	8,0/8,1	2.30	63.80
QR1216.M08-045-T	8	45	17-4 PH	7.96	7.92	9.42	11.9	5.8	20.6	8	23.4	16.0	8,0/8,1	2.30	63.80
QR1216.M08-050-T	8	50	17-4 PH	7.96	7.92	9.42	11.9	5.8	20.6	8	23.4	16.0	8,0/8,1	2.30	63.80
QR1216.M08-060-T	8	60	17-4 PH	7.96	7.92	9.42	11.9	5.8	20.6	8	23.4	16.0	8,0/8,1	2.30	63.80
QR1216.M08-070-T	8	70	17-4 PH	7.96	7.92	9.42	11.9	5.8	20.6	8	23.4	16.0	8,0/8,1	2.30	63.80
QR1216.M08-080-T	8	80	17-4 PH	7.96	7.92	9.42	11.9	5.8	20.6	8	23.4	16.0	8,0/8,1	2.30	63.80
QR1216.M08-090-T	8	90	17-4 PH	7.96	7.92	9.42	11.9	5.8	20.6	8	23.4	16.0	8,0/8,1	2.30	63.80
QR1216.M08-100-T	8	100	17-4 PH	7.96	7.92	9.42	11.9	5.8	20.6	8	23.4	16.0	8,0/8,1	2.30	63.80
QR1216.M10-015-T	10	15	17-4 PH	9.96	9.92	11.8 6	14.2	7.4	25.4	9	25.7	17.8	10,0/ 10,1	2.56	100.10
QR1216.M10-020-T	10	20	17-4 PH	9.96	9.92	11.8 6	14.2	7.4	25.4	9	25.7	17.8	10,0/ 10,1	2.56	100.10
QR1216.M10-025-T	10	25	17-4 PH	9.96	9.92	11.8 6	14.2	7.4	25.4	9	25.7	17.8	10,0/ 10,1	2.56	100.10
QR1216.M10-030-T	10	30	17-4 PH	9.96	9.92	11.8 6	14.2	7.4	25.4	9	25.7	17.8	10,0/ 10,1	2.56	100.10

QUICK RELEASE PINS

# Quick Release Pins

# Quick Release Pins - Metric - B-handle

precipitation hardened stainless pin



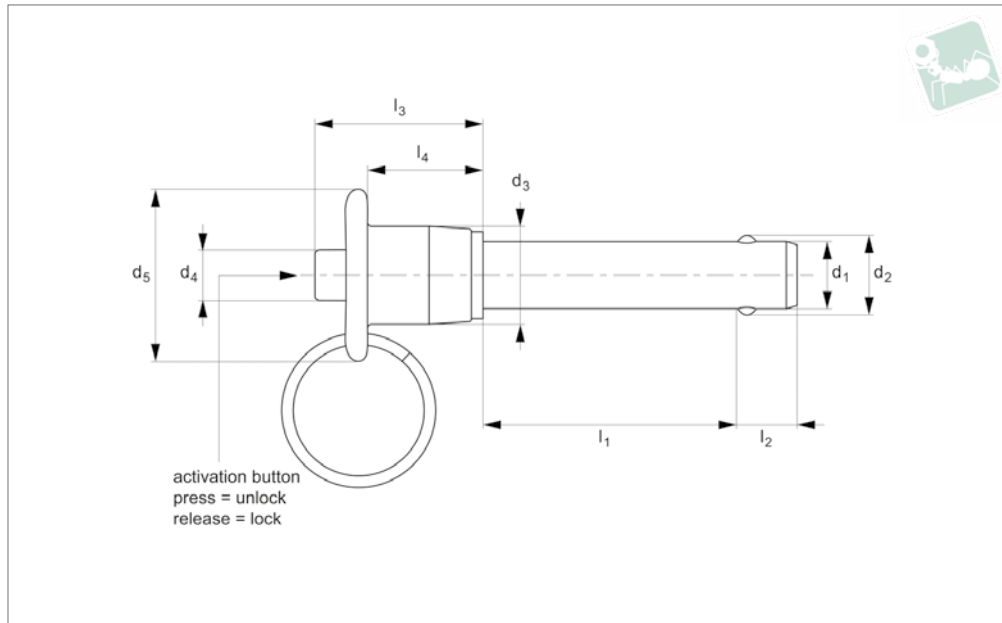
QUICK RELEASE PINS

Order No.	d <sub>1</sub> nom.	l <sub>1</sub> grip +0.50 - 0.00	Material	d <sub>1</sub> max.	d <sub>1</sub> min.	d <sub>2</sub> ±0.25	d <sub>3</sub>	d <sub>4</sub>	d <sub>5</sub>	l <sub>2</sub> ±1.00	l <sub>3</sub>	l <sub>4</sub>	Loc'n hole min.  max.	Pull out strength kN min.	Calc. double shear kN
QR1216.M10-035-T	10	35	17-4 PH	9.96	9.92	11.8 6	14.2	7.4	25.4	9	25.7	17.8	10,0/ 10,1	2.56	100.10
QR1216.M10-040-T	10	40	17-4 PH	9.96	9.92	11.8 6	14.2	7.4	25.4	9	25.7	17.8	10,0/ 10,1	2.56	100.10
QR1216.M10-045-T	10	45	17-4 PH	9.96	9.92	11.8 6	14.2	7.4	25.4	9	25.7	17.8	10,0/ 10,1	2.56	100.10
QR1216.M10-050-T	10	50	17-4 PH	9.96	9.92	11.8 6	14.2	7.4	25.4	9	25.7	17.8	10,0/ 10,1	2.56	100.10
QR1216.M10-060-T	10	60	17-4 PH	9.96	9.92	11.8 6	14.2	7.4	25.4	9	25.7	17.8	10,0/ 10,1	2.56	100.10
QR1216.M10-070-T	10	70	17-4 PH	9.96	9.92	11.8 6	14.2	7.4	25.4	9	25.7	17.8	10,0/ 10,1	2.56	100.10
QR1216.M10-080-T	10	80	17-4 PH	9.96	9.92	11.8 6	14.2	7.4	25.4	9	25.7	17.8	10,0/ 10,1	2.56	100.10
QR1216.M10-090-T	10	90	17-4 PH	9.96	9.92	11.8 6	14.2	7.4	25.4	9	25.7	17.8	10,0/ 10,1	2.56	100.10
QR1216.M10-100-T	10	100	17-4 PH	9.96	9.92	11.8 6	14.2	7.4	25.4	9	25.7	17.8	10,0/ 10,1	2.56	100.10
QR1216.M12-020-T	12	20	17-4 PH	11.9 6	11.9 2	14.4 5	18.3	10.7	34.7	10	32.3	21.6	12,0/ 12,1	5.16	144.06
QR1216.M12-025-T	12	25	17-4 PH	11.9 6	11.9 2	14.4 5	18.3	10.7	34.7	10	32.3	21.6	12,0/ 12,1	5.16	144.06
QR1216.M12-030-T	12	30	17-4 PH	11.9 6	11.9 2	14.4 5	18.3	10.7	34.7	10	32.3	21.6	12,0/ 12,1	5.16	144.06
QR1216.M12-035-T	12	35	17-4 PH	11.9 6	11.9 2	14.4 5	18.3	10.7	34.7	10	32.3	21.6	12,0/ 12,1	5.16	144.06
QR1216.M12-040-T	12	40	17-4 PH	11.9 6	11.9 2	14.4 5	18.3	10.7	34.7	10	32.3	21.6	12,0/ 12,1	5.16	144.06
QR1216.M12-045-T	12	45	17-4 PH	11.9 6	11.9 2	14.4 5	18.3	10.7	34.7	10	32.3	21.6	12,0/ 12,1	5.16	144.06
QR1216.M12-050-T	12	50	17-4 PH	11.9 6	11.9 2	14.4 5	18.3	10.7	34.7	10	32.3	21.6	12,0/ 12,1	5.16	144.06
QR1216.M12-060-T	12	60	17-4 PH	11.9 6	11.9 2	14.4 5	18.3	10.7	34.7	10	32.3	21.6	12,0/ 12,1	5.16	144.06
QR1216.M12-070-T	12	70	17-4 PH	11.9 6	11.9 2	14.4 5	18.3	10.7	34.7	10	32.3	21.6	12,0/ 12,1	5.16	144.06
QR1216.M12-080-T	12	80	17-4 PH	11.9 6	11.9 2	14.4 5	18.3	10.7	34.7	10	32.3	21.6	12,0/ 12,1	5.16	144.06
QR1216.M12-090-T	12	90	17-4 PH	11.9 6	11.9 2	14.4 5	18.3	10.7	34.7	10	32.3	21.6	12,0/ 12,1	5.16	144.06
QR1216.M12-100-T	12	100	17-4 PH	11.9 6	11.9 2	14.4 5	18.3	10.7	34.7	10	32.3	21.6	12,1/ 12,0	5.16	144.06
QR1216.M16-025-T	16	25	17-4 PH	15.9 6	15.9 2	19.0 0	23.9	13.7	44.5	14	41.9	27.9	16,0/ 16,1	9.21	257.18
QR1216.M16-030-T	16	30	17-4 PH	15.9 6	15.9 2	19.0 0	23.9	13.7	44.5	14	41.9	27.9	16,0/ 16,1	9.21	257.18
QR1216.M16-035-T	16	35	17-4 PH	15.9 6	15.9 2	19.0 0	23.9	13.7	44.5	14	41.9	27.9	16,0/ 16,1	9.21	257.18
QR1216.M16-040-T	16	40	17-4 PH	15.9 6	15.9 2	19.0 0	23.9	13.7	44.5	14	41.9	27.9	16,0/ 16,1	9.21	257.18
QR1216.M16-045-T	16	45	17-4 PH	15.9 6	15.9 2	19.0 0	23.9	13.7	44.5	14	41.9	27.9	16,0/ 16,1	9.21	257.18
QR1216.M16-050-T	16	50	17-4 PH	15.9 6	15.9 2	19.0 0	23.9	13.7	44.5	14	41.9	27.9	16,0/ 16,1	9.21	257.18
QR1216.M16-060-T	16	60	17-4 PH	15.9 6	15.9 2	19.0 0	23.9	13.7	44.5	14	41.9	27.9	16,0/ 16,1	9.21	257.18
QR1216.M16-070-T	16	70	17-4 PH	15.9 6	15.9 2	19.0 0	23.9	13.7	44.5	14	41.9	27.9	16,0/ 16,1	9.21	257.18
QR1216.M16-080-T	16	80	17-4 PH	15.9 6	15.9 2	19.0 0	23.9	13.7	44.5	14	41.9	27.9	16,0/ 16,1	9.21	257.18
QR1216.M16-090-T	16	90	17-4 PH	15.9 6	15.9 2	19.0 0	23.9	13.7	44.5	14	41.9	27.9	16,0/ 16,1	9.21	257.18
QR1216.M16-100-T	16	100	17-4 PH	15.9 6	15.9 2	19.0 0	23.9	13.7	44.5	14	41.9	27.9	16,0/ 16,1	9.21	257.18



# Quick Release Pins - Inch - B-handle steel pin

# Quick Release Pins



## QR1222

QUICK RELEASE PINS

### Material

Pin: alloy steel, 4130 (DIN 1.7218), Cadmium plated. Tensile strength 1,100 N/mm<sup>2</sup> min. Non-RoHS compliant.  
Handle: Alu. 2024-T4 (DIN AlCuMg2), black anodised (RAL 9003).  
Actuator button: Alu. 2024-T4 (DIN AlCuMg2), anodised blue or clear.

Internal spindle, balls and split ring (supplied); from stainless steel.

### Technical Notes

Pressing = unlocking.  
Releasing = locking.  
Temperature range -30°C to +150°C  
**Supplied with split ring.**

### Tips

For quick fastening and locking frequently repeated connections.  
For lanyards & retaining cables see part nos. L to LA1224. For easy install locating bushes and end caps see part nos. LA1260 to LA1355.

Order No.	d <sub>1</sub> nom.	l <sub>1</sub> grip +0.02 - -0.00	Material	d <sub>1</sub> max.	d <sub>1</sub> min.	d <sub>2</sub> ±0.0 05	d <sub>3</sub>	d <sub>4</sub>	d <sub>5</sub>	l <sub>2</sub> +0.000 - -0.030	l <sub>3</sub>	l <sub>4</sub>	Loc'n hole min. max.	Pull out strength lb min.	Calc. double shear lb
QR1222.I18-050-C	3/16	0.50	4130 Steel	,188 5	,187 0	0.22 0	0.47	0.23	0.81	0.260	0.92	0.63	,1900/ ,1940	200	4600
QR1222.I18-075-C	3/16	0.75	4130 Steel	,188 5	,187 0	0.22 0	0.47	0.23	0.81	0.260	0.92	0.63	,1900/ ,1940	200	4600
QR1222.I18-100-C	3/16	1.00	4130 Steel	,188 5	,187 0	0.22 0	0.47	0.23	0.81	0.260	0.92	0.63	,1900/ ,1940	200	4600
QR1222.I18-125-C	3/16	1.25	4130 Steel	,188 5	,187 0	0.22 0	0.47	0.23	0.81	0.260	0.92	0.63	,1900/ ,1940	200	4600
QR1222.I18-150-C	3/16	1.50	4130 Steel	,188 5	,187 0	0.22 0	0.47	0.23	0.81	0.260	0.92	0.63	,1900/ ,1940	200	4600
QR1222.I18-175-C	3/16	1.75	4130 Steel	,188 5	,187 0	0.22 0	0.47	0.23	0.81	0.260	0.92	0.63	,1900/ ,1940	200	4600
QR1222.I18-200-C	3/16	2.00	4130 Steel	,188 5	,187 0	0.22 0	0.47	0.23	0.81	0.260	0.92	0.63	,1900/ ,1940	200	4600
QR1222.I18-250-C	3/16	2.50	4130 Steel	,188 5	,187 0	0.22 0	0.47	0.23	0.81	0.260	0.92	0.63	,1900/ ,1940	200	4600
QR1222.I18-300-C	3/16	3.00	4130 Steel	,188 5	,187 0	0.22 0	0.47	0.23	0.81	0.260	0.92	0.63	,1900/ ,1940	200	4600
QR1222.I18-350-C	3/16	3.50	4130 Steel	,188 5	,187 0	0.22 0	0.47	0.23	0.81	0.260	0.92	0.63	,1900/ ,1940	200	4600
QR1222.I18-400-C	3/16	4.00	4130 Steel	,188 5	,187 0	0.22 0	0.47	0.23	0.81	0.260	0.92	0.63	,1900/ ,1940	200	4600
QR1222.I25-050-C	1/4	0.50	4130 Steel	,248 5	,247 0	0.28 9	0.47	0.23	0.81	0.290	0.92	0.63	,2500/ ,2540	230	8200
QR1222.I25-075-C	1/4	0.75	4130 Steel	,248 5	,247 0	0.28 9	0.47	0.23	0.81	0.290	0.92	0.63	,2500/ ,2540	230	8200
QR1222.I25-100-C	1/4	1.00	4130 Steel	,248 5	,247 0	0.28 9	0.47	0.23	0.81	0.290	0.92	0.63	,2500/ ,2540	230	8200

# Quick Release Pins

# Quick Release Pins - Inch - B-handle steel pin



QUICK RELEASE PINS

Order No.	d <sub>1</sub> nom.	l <sub>1</sub> grip +0.02 - -0.00	Material	d <sub>1</sub> max.	d <sub>1</sub> min.	d <sub>2</sub> ±0.0 05	d <sub>3</sub>	d <sub>4</sub>	d <sub>5</sub>	l <sub>2</sub> +0.000 - -0.030	l <sub>3</sub>	l <sub>4</sub>	Loc'n hole min.  max.	Pull out strength lb min.	Calc. double shear lb
QR1222.I25-125-C	1/4	1.25	4130 Steel	,248 5	,247 0	0.28 9	0.47	0.23	0.81	0.290	0.92	0.63	,2500/ ,2540	230	8200
QR1222.I25-150-C	1/4	1.50	4130 Steel	,248 5	,247 0	0.28 9	0.47	0.23	0.81	0.290	0.92	0.63	,2500/ ,2540	230	8200
QR1222.I25-175-C	1/4	1.75	4130 Steel	,248 5	,247 0	0.28 9	0.47	0.23	0.81	0.290	0.92	0.63	,2500/ ,2540	230	8200
QR1222.I25-200-C	1/4	2.00	4130 Steel	,248 5	,247 0	0.28 9	0.47	0.23	0.81	0.290	0.92	0.63	,2500/ ,2540	230	8200
QR1222.I25-250-C	1/4	2.50	4130 Steel	,248 5	,247 0	0.28 9	0.47	0.23	0.81	0.290	0.92	0.63	,2500/ ,2540	230	8200
QR1222.I25-300-C	1/4	3.00	4130 Steel	,248 5	,247 0	0.28 9	0.47	0.23	0.81	0.290	0.92	0.63	,2500/ ,2540	230	8200
QR1222.I25-350-C	1/4	3.50	4130 Steel	,248 5	,247 0	0.28 9	0.47	0.23	0.81	0.290	0.92	0.63	,2500/ ,2540	230	8200
QR1222.I25-400-C	1/4	4.00	4130 Steel	,248 5	,247 0	0.28 9	0.47	0.23	0.81	0.290	0.92	0.63	,2500/ ,2540	230	8200
QR1222.I31-050-C	5/16	0.50	4130 Steel	,311 0	,309 5	0.37 5	0.47	0.23	0.81	0.330	0.92	0.63	,3125/ ,3165	510	12800
QR1222.I31-075-C	5/16	0.75	4130 Steel	,311 0	,309 5	0.37 5	0.47	0.23	0.81	0.330	0.92	0.63	,3125/ ,3165	510	12800
QR1222.I31-100-C	5/16	1.00	4130 Steel	,311 0	,309 5	0.37 5	0.47	0.23	0.81	0.330	0.92	0.63	,3125/ ,3165	510	12800
QR1222.I31-125-C	5/16	1.25	4130 Steel	,311 0	,309 5	0.37 5	0.47	0.23	0.81	0.330	0.92	0.63	,3125/ ,3165	510	12800
QR1222.I31-150-C	5/16	1.50	4130 Steel	,311 0	,309 5	0.37 5	0.47	0.23	0.81	0.330	0.92	0.63	,3125/ ,3165	510	12800
QR1222.I31-175-C	5/16	1.75	4130 Steel	,311 0	,309 5	0.37 5	0.47	0.23	0.81	0.330	0.92	0.63	,3125/ ,3165	510	12800
QR1222.I31-200-C	5/16	2.00	4130 Steel	,311 0	,309 5	0.37 5	0.47	0.23	0.81	0.330	0.92	0.63	,3125/ ,3165	510	12800
QR1222.I31-250-C	5/16	2.50	4130 Steel	,311 0	,309 5	0.37 5	0.47	0.23	0.81	0.330	0.92	0.63	,3125/ ,3165	510	12800
QR1222.I31-300-C	5/16	3.00	4130 Steel	,311 0	,309 5	0.37 5	0.47	0.23	0.81	0.330	0.92	0.63	,3125/ ,3165	510	12800
QR1222.I31-350-C	5/16	3.50	4130 Steel	,311 0	,309 5	0.37 5	0.47	0.23	0.81	0.330	0.92	0.63	,3125/ ,3165	510	12800
QR1222.I31-400-C	5/16	4.00	4130 Steel	,311 0	,309 5	0.37 5	0.47	0.23	0.81	0.330	0.92	0.63	,3125/ ,3165	510	12800
QR1222.I37-050-C	3/8	0.50	4130 Steel	,373 5	,372 0	0.44 0	0.56	0.29	1.00	0.365	1.01	0.70	,3750/ ,3790	575	18400
QR1222.I37-075-C	3/8	0.75	4130 Steel	,373 5	,372 0	0.44 0	0.56	0.29	1.00	0.365	1.01	0.70	,3750/ ,3790	575	18400
QR1222.I37-100-C	3/8	1.00	4130 Steel	,373 5	,372 0	0.44 0	0.56	0.29	1.00	0.365	1.01	0.70	,3750/ ,3790	575	18400
QR1222.I37-125-C	3/8	1.25	4130 Steel	,373 5	,372 0	0.44 0	0.56	0.29	1.00	0.365	1.01	0.70	,3750/ ,3790	575	18400
QR1222.I37-150-C	3/8	1.50	4130 Steel	,373 5	,372 0	0.44 0	0.56	0.29	1.00	0.365	1.01	0.70	,3750/ ,3790	575	18400
QR1222.I37-175-C	3/8	1.75	4130 Steel	,373 5	,372 0	0.44 0	0.56	0.29	1.00	0.365	1.01	0.70	,3750/ ,3790	575	18400
QR1222.I37-200-C	3/8	2.00	4130 Steel	,373 5	,372 0	0.44 0	0.56	0.29	1.00	0.365	1.01	0.70	,3750/ ,3790	575	18400
QR1222.I37-250-C	3/8	2.50	4130 Steel	,373 5	,372 0	0.44 0	0.56	0.29	1.00	0.365	1.01	0.70	,3750/ ,3790	575	18400
QR1222.I37-300-C	3/8	3.00	4130 Steel	,373 5	,372 0	0.44 0	0.56	0.29	1.00	0.365	1.01	0.70	,3750/ ,3790	575	18400
QR1222.I37-350-C	3/8	3.50	4130 Steel	,373 5	,372 0	0.44 0	0.56	0.29	1.00	0.365	1.01	0.70	,3750/ ,3790	575	18400
QR1222.I37-400-C	3/8	4.00	4130 Steel	,373 5	,372 0	0.44 0	0.56	0.29	1.00	0.365	1.01	0.70	,3750/ ,3790	575	18400
QR1222.I50-100-C	1/2	1.00	4130 Steel	,498 5	,497 0	0.59 4	0.72	0.42	1.37	0.460	1.27	0.85	,5000/ ,5050	1160	32800
QR1222.I50-125-C	1/2	1.25	4130 Steel	,498 5	,497 0	0.59 4	0.72	0.42	1.37	0.460	1.27	0.85	,5000/ ,5050	1160	32800
QR1222.I50-150-C	1/2	1.50	4130 Steel	,498 5	,497 0	0.59 4	0.72	0.42	1.37	0.460	1.27	0.85	,5000/ ,5050	1160	32800





# Quick Release Pins - Inch - B-handle steel pin

## Quick Release Pins

Order No.	d <sub>1</sub> nom.	l <sub>1</sub> grip +0.02 - -0.00	Material	d <sub>1</sub> max.	d <sub>1</sub> min.	d <sub>2</sub> ±0.0 05	d <sub>3</sub>	d <sub>4</sub>	d <sub>5</sub>	l <sub>2</sub> +0.000 - 0.030	l <sub>3</sub>	l <sub>4</sub>	Loc'n hole min.  max.	Pull out strength lb min.	Calc. double shear lb
QR1222.I50-175-C	1/2	1.75	4130 Steel	,498 5	,497 0	0.59 4	0.72	0.42	1.37	0.460	1.27	0.85	,5000/ ,5050	1160	32800
QR1222.I50-200-C	1/2	2.00	4130 Steel	,498 5	,497 0	0.59 4	0.72	0.42	1.37	0.460	1.27	0.85	,5000/ ,5050	1160	32800
QR1222.I50-250-C	1/2	2.50	4130 Steel	,498 5	,497 0	0.59 4	0.72	0.42	1.37	0.460	1.27	0.85	,5000/ ,5050	1160	32800
QR1222.I50-300-C	1/2	3.00	4130 Steel	,498 5	,497 0	0.59 4	0.72	0.42	1.37	0.460	1.27	0.85	,5000/ ,5050	1160	32800
QR1222.I50-350-C	1/2	3.50	4130 Steel	,498 5	,497 0	0.59 4	0.72	0.42	1.37	0.460	1.27	0.85	,5000/ ,5050	1160	32800
QR1222.I50-400-C	1/2	4.00	4130 Steel	,498 5	,497 0	0.59 4	0.72	0.42	1.37	0.460	1.27	0.85	,5000/ ,5050	1160	32800
QR1222.I50-450-C	1/2	4.50	4130 Steel	,498 5	,497 0	0.59 4	0.72	0.42	1.37	0.460	1.27	0.85	,5000/ ,5050	1160	32800
QR1222.I50-500-C	1/2	5.00	4130 Steel	,498 5	,497 0	0.59 4	0.72	0.42	1.37	0.460	1.27	0.85	,5000/ ,5050	1160	32800
QR1222.I50-550-C	1/2	5.50	4130 Steel	,498 5	,497 0	0.59 4	0.72	0.42	1.37	0.460	1.27	0.85	,5000/ ,5050	1160	32800
QR1222.I50-600-C	1/2	6.00	4130 Steel	,498 5	,497 0	0.59 4	0.72	0.42	1.37	0.460	1.27	0.85	,5000/ ,5050	1160	32800
QR1222.I62-150-C	5/8	1.50	4130 Steel	,623 5	,622 0	0.75 0	0.94	0.54	1.75	0.580	1.65	1.10	,6250/ ,6300	2070	51200
QR1222.I62-175-C	5/8	1.75	4130 Steel	,623 5	,622 0	0.75 0	0.94	0.54	1.75	0.580	1.65	1.10	,6250/ ,6300	2070	51200
QR1222.I62-200-C	5/8	2.00	4130 Steel	,623 5	,622 0	0.75 0	0.94	0.54	1.75	0.580	1.65	1.10	,6250/ ,6300	2070	51200
QR1222.I62-250-C	5/8	2.50	4130 Steel	,623 5	,622 0	0.75 0	0.94	0.54	1.75	0.580	1.65	1.10	,6250/ ,6300	2070	51200
QR1222.I62-300-C	5/8	3.00	4130 Steel	,623 5	,622 0	0.75 0	0.94	0.54	1.75	0.580	1.65	1.10	,6250/ ,6300	2070	51200
QR1222.I62-350-C	5/8	3.50	4130 Steel	,623 5	,622 0	0.75 0	0.94	0.54	1.75	0.580	1.65	1.10	,6250/ ,6300	2070	51200
QR1222.I62-400-C	5/8	4.00	4130 Steel	,623 5	,622 0	0.75 0	0.94	0.54	1.75	0.580	1.65	1.10	,6250/ ,6300	2070	51200
QR1222.I62-450-C	5/8	4.50	4130 Steel	,623 5	,622 0	0.75 0	0.94	0.54	1.75	0.580	1.65	1.10	,6250/ ,6300	2070	51200
QR1222.I62-500-C	5/8	5.00	4130 Steel	,623 5	,622 0	0.75 0	0.94	0.54	1.75	0.580	1.65	1.10	,6250/ ,6300	2070	51200
QR1222.I62-550-C	5/8	5.50	4130 Steel	,623 5	,622 0	0.75 0	0.94	0.54	1.75	0.580	1.65	1.10	,6250/ ,6300	2070	51200
QR1222.I62-600-C	5/8	6.00	4130 Steel	,623 5	,622 0	0.75 0	0.94	0.54	1.75	0.580	1.65	1.10	,6250/ ,6300	2070	51200

QUICK RELEASE PINS

# Quick Release Pins

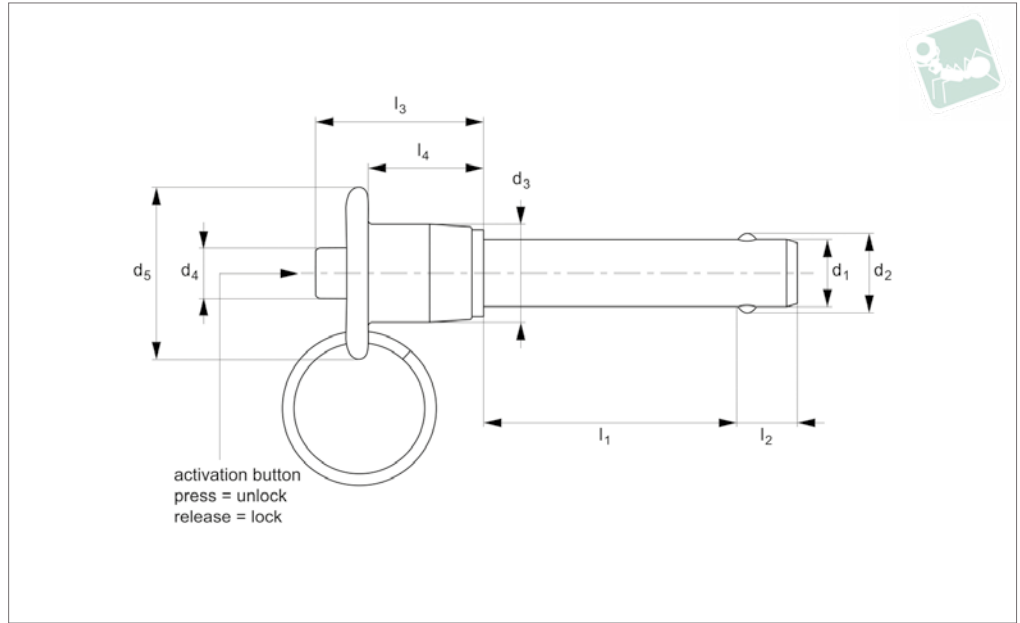
# Quick Release Pins - Inch - B-handle stainless pin



QUICK RELEASE PINS



**QR1224**



**Material**

Pin: stainless steel, AISI 304 (DIN 1.4301) or AISI 303 (DIN 1.4305), passivated.  
Tensile strength 500 N/mm<sup>2</sup> min. RoHS compliant.  
Handle: Alu. 2024-T4 (DIN AlCuMg2), black anodised (RAL 9003).  
Actuator button: Alu. 2024-T4 (DIN AlCuMg2), anodised blue or clear.

Internal spindle, balls and split ring (supplied); from stainless steel.

**Technical Notes**

Pressing = unlocking.  
Releasing = locking.  
Temperature range -30°C to +150°C  
**Supplied with split ring.**

**Tips**

For quick fastening and locking frequently repeated connections.  
For lanyards & retaining cables see part nos. L to LA1224. For easy install locating bushes and end caps see part nos. LA1260 to LA1355.

Order No.	d <sub>1</sub> nom.	l <sub>1</sub> grip +0.02 -0.00	Material	d <sub>1</sub> max.	d <sub>1</sub> min.	d <sub>2</sub> ±0.005	d <sub>3</sub>	d <sub>4</sub>	d <sub>5</sub>	l <sub>2</sub> +0.000 -0.030	l <sub>3</sub>	l <sub>4</sub>	Loc'n hole min.  max.	Pull out strength lb min.	Calc. double shear lb
QR1224.I25-050-S	1/4	0.50	304 SS	,2485	,2470	0.289	0.47	0.23	0.81	0.290	0.92	0.63	,2500/ ,2540	230	2200
QR1224.I25-075-S	1/4	0.75	304 SS	,2485	,2470	0.289	0.47	0.23	0.81	0.290	0.92	0.63	,2500/ ,2540	230	2200
QR1224.I25-100-S	1/4	1.00	304 SS	,2485	,2470	0.289	0.47	0.23	0.81	0.290	0.92	0.63	,2500/ ,2540	230	2200
QR1224.I25-125-S	1/4	1.25	304 SS	,2485	,2470	0.289	0.47	0.23	0.81	0.290	0.92	0.63	,2500/ ,2540	230	2200
QR1224.I25-150-S	1/4	1.50	304 SS	,2485	,2470	0.289	0.47	0.23	0.81	0.290	0.92	0.63	,2500/ ,2540	230	2200
QR1224.I25-175-S	1/4	1.75	304 SS	,2485	,2470	0.289	0.47	0.23	0.81	0.290	0.92	0.63	,2500/ ,2540	230	2200
QR1224.I25-200-S	1/4	2.00	304 SS	,2485	,2470	0.289	0.47	0.23	0.81	0.290	0.92	0.63	,2500/ ,2540	230	2200
QR1224.I25-250-S	1/4	2.50	304 SS	,2485	,2470	0.289	0.47	0.23	0.81	0.290	0.92	0.63	,2500/ ,2540	230	2200
QR1224.I25-300-S	1/4	3.00	304 SS	,2485	,2470	0.289	0.47	0.23	0.81	0.290	0.92	0.63	,2500/ ,2540	230	2200
QR1224.I25-350-S	1/4	3.50	304 SS	,2485	,2470	0.289	0.47	0.23	0.81	0.290	0.92	0.63	,2500/ ,2540	230	2200
QR1224.I25-400-S	1/4	4.00	304 SS	,2485	,2470	0.289	0.47	0.23	0.81	0.290	0.92	0.63	,2500/ ,2540	230	2200
QR1224.I31-050-S	5/16	0.50	304 SS	,3110	,3095	0.375	0.47	0.23	0.81	0.330	0.92	0.63	,3125/ ,3165	510	3500
QR1224.I31-075-S	5/16	0.75	304 SS	,3110	,3095	0.375	0.47	0.23	0.81	0.330	0.92	0.63	,3125/ ,3165	510	3500



# Quick Release Pins - Inch - B-handle stainless pin

## Quick Release Pins

Order No.	d <sub>1</sub> nom.	l <sub>1</sub> grip +0.02 - -0.00	Material	d <sub>1</sub> max.	d <sub>1</sub> min.	d <sub>2</sub> ±0.0 05	d <sub>3</sub>	d <sub>4</sub>	d <sub>5</sub>	l <sub>2</sub> +0.000 - 0.030	l <sub>3</sub>	l <sub>4</sub>	Loc'n hole min.  max.	Pull out strength lb min.	Calc. double shear lb
QR1224.I31-100-S	5/16	1.00	304 SS	,311 0	,309 5	0.37 5	0.47	0.23	0.81	0.330	0.92	0.63	,3125/ ,3165	510	3500
QR1224.I31-125-S	5/16	1.25	304 SS	,311 0	,309 5	0.37 5	0.47	0.23	0.81	0.330	0.92	0.63	,3125/ ,3165	510	3500
QR1224.I31-150-S	5/16	1.50	304 SS	,311 0	,309 5	0.37 5	0.47	0.23	0.81	0.330	0.92	0.63	,3125/ ,3165	510	3500
QR1224.I31-175-S	5/16	1.75	304 SS	,311 0	,309 5	0.37 5	0.47	0.23	0.81	0.330	0.92	0.63	,3125/ ,3165	510	3500
QR1224.I31-200-S	5/16	2.00	304 SS	,311 0	,309 5	0.37 5	0.47	0.23	0.81	0.330	0.92	0.63	,3125/ ,3165	510	3500
QR1224.I31-250-S	5/16	2.50	304 SS	,311 0	,309 5	0.37 5	0.47	0.23	0.81	0.330	0.92	0.63	,3125/ ,3165	510	3500
QR1224.I31-300-S	5/16	3.00	304 SS	,311 0	,309 5	0.37 5	0.47	0.23	0.81	0.330	0.92	0.63	,3125/ ,3165	510	3500
QR1224.I31-350-S	5/16	3.50	304 SS	,311 0	,309 5	0.37 5	0.47	0.23	0.81	0.330	0.92	0.63	,3125/ ,3165	510	3500
QR1224.I31-400-S	5/16	4.00	304 SS	,311 0	,309 5	0.37 5	0.47	0.23	0.81	0.330	0.92	0.63	,3125/ ,3165	510	3500
QR1224.I37-050-S	3/8	0.50	304 SS	,373 5	,372 0	0.44 0	0.56	0.29	1.00	0.365	1.01	0.70	,3750/ ,3790	575	4500
QR1224.I37-075-S	3/8	0.75	304 SS	,373 5	,372 0	0.44 0	0.56	0.29	1.00	0.365	1.01	0.70	,3750/ ,3790	575	4500
QR1224.I37-100-S	3/8	1.00	304 SS	,373 5	,372 0	0.44 0	0.56	0.29	1.00	0.365	1.01	0.70	,3750/ ,3790	575	4500
QR1224.I37-125-S	3/8	1.25	304 SS	,373 5	,372 0	0.44 0	0.56	0.29	1.00	0.365	1.01	0.70	,3750/ ,3790	575	4500
QR1224.I37-150-S	3/8	1.50	304 SS	,373 5	,372 0	0.44 0	0.56	0.29	1.00	0.365	1.01	0.70	,3750/ ,3790	575	4500
QR1224.I37-175-S	3/8	1.75	304 SS	,373 5	,372 0	0.44 0	0.56	0.29	1.00	0.365	1.01	0.70	,3750/ ,3790	575	4500
QR1224.I37-200-S	3/8	2.00	304 SS	,373 5	,372 0	0.44 0	0.56	0.29	1.00	0.365	1.01	0.70	,3750/ ,3790	575	4500
QR1224.I37-250-S	3/8	2.50	304 SS	,373 5	,372 0	0.44 0	0.56	0.29	1.00	0.365	1.01	0.70	,3750/ ,3790	575	4500
QR1224.I37-300-S	3/8	3.00	304 SS	,373 5	,372 0	0.44 0	0.56	0.29	1.00	0.365	1.01	0.70	,3750/ ,3790	575	4500
QR1224.I37-350-S	3/8	3.50	304 SS	,373 5	,372 0	0.44 0	0.56	0.29	1.00	0.365	1.01	0.70	,3750/ ,3790	575	4500
QR1224.I37-400-S	3/8	4.00	304 SS	,373 5	,372 0	0.44 0	0.56	0.29	1.00	0.365	1.01	0.70	,3750/ ,3790	575	4500
QR1224.I50-100-S	1/2	1.00	304 SS	,498 5	,497 0	0.59 4	0.72	0.42	1.37	0.460	1.27	0.85	,5000/ ,5050	1160	11500
QR1224.I50-125-S	1/2	1.25	304 SS	,498 5	,497 0	0.59 4	0.72	0.42	1.37	0.460	1.27	0.85	,5000/ ,5050	1160	11500
QR1224.I50-150-S	1/2	1.50	304 SS	,498 5	,497 0	0.59 4	0.72	0.42	1.37	0.460	1.27	0.85	,5000/ ,5050	1160	11500
QR1224.I50-175-S	1/2	1.75	304 SS	,498 5	,497 0	0.59 4	0.72	0.42	1.37	0.460	1.27	0.85	,5000/ ,5050	1160	11500
QR1224.I50-200-S	1/2	2.00	304 SS	,498 5	,497 0	0.59 4	0.72	0.42	1.37	0.460	1.27	0.85	,5000/ ,5050	1160	11500
QR1224.I50-250-S	1/2	2.50	304 SS	,498 5	,497 0	0.59 4	0.72	0.42	1.37	0.460	1.27	0.85	,5000/ ,5050	1160	11500
QR1224.I50-300-S	1/2	3.00	304 SS	,498 5	,497 0	0.59 4	0.72	0.42	1.37	0.460	1.27	0.85	,5000/ ,5050	1160	11500
QR1224.I50-350-S	1/2	3.50	304 SS	,498 5	,497 0	0.59 4	0.72	0.42	1.37	0.460	1.27	0.85	,5000/ ,5050	1160	11500
QR1224.I50-400-S	1/2	4.00	304 SS	,498 5	,497 0	0.59 4	0.72	0.42	1.37	0.460	1.27	0.85	,5000/ ,5050	1160	11500

QUICK RELEASE PINS

# Quick Release Pins

## Quick Release Pins - Inch - B-handle stainless pin



QUICK RELEASE PINS

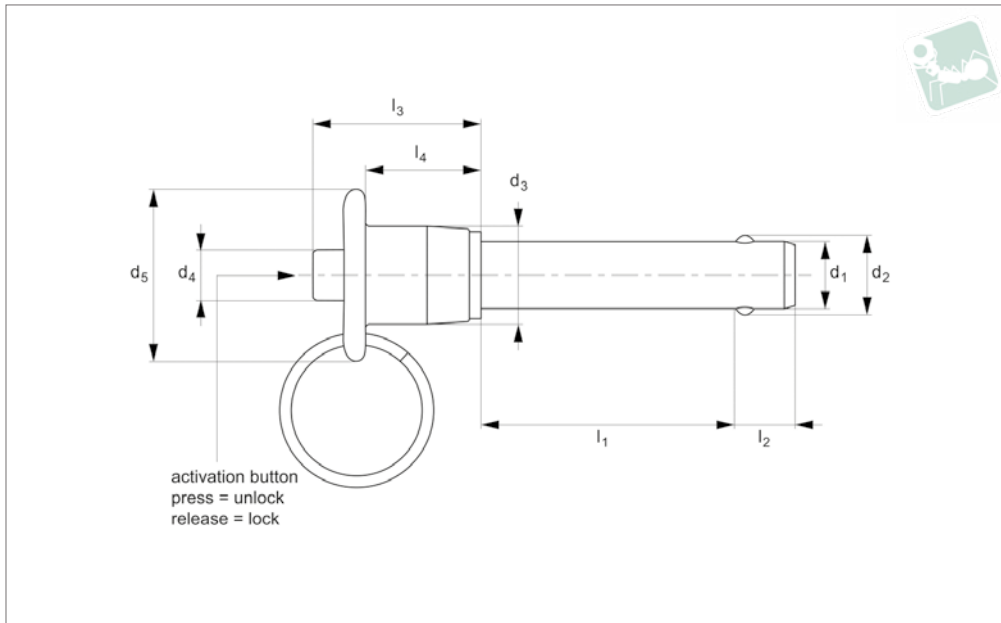
Order No.	d <sub>1</sub> nom.	l <sub>1</sub> grip +0.02 - -0.00	Material	d <sub>1</sub> max.	d <sub>1</sub> min.	d <sub>2</sub> ±0.0 05	d <sub>3</sub>	d <sub>4</sub>	d <sub>5</sub>	l <sub>2</sub> +0.000 - -0.030	l <sub>3</sub>	l <sub>4</sub>	Loc'n hole min.  max.	Pull out strength lb min.	Calc. double shear lb
QR1224.I50-450-S	1/2	4.50	304 SS	,498 5	,497 0	0.59 4	0.72	0.42	1.37	0.460	1.27	0.85	,5000/ ,5050	1160	11500
QR1224.I50-500-S	1/2	5.00	304 SS	,498 5	,497 0	0.59 4	0.72	0.42	1.37	0.460	1.27	0.85	,5000/ ,5050	1160	11500
QR1224.I50-550-S	1/2	5.50	304 SS	,498 5	,497 0	0.59 4	0.72	0.42	1.37	0.460	1.27	0.85	,5000/ ,5050	1160	11500
QR1224.I50-600-S	1/2	6.00	304 SS	,498 5	,497 0	0.59 4	0.72	0.42	1.37	0.460	1.27	0.85	,5000/ ,5050	1160	11500



# Quick Release Pins - Inch - B - handle

precipitation hardened stainless pin

# Quick Release Pins



## QR1226

QUICK RELEASE PINS

### Material

Pin: stainless steel 17-4PH (DIN 1.4542, AISI 630), precipitation hardened, passivated. Tensile strength 1,300 N/mm<sup>2</sup> min. HRC 40. RoHS compliant.  
Handle: Alu. 2024-T4 (DIN AlCuMg2), black anodised (RAL 9003).  
Actuator button: Alu. 2024-T4 (DIN AlCuMg2), anodised blue or clear.

Internal spindle, balls and split ring (supplied); from stainless steel.

### Technical Notes

Pressing = unlocking.  
Releasing = locking.  
Temperature range -30°C to +150°C  
**Supplied with split ring.**

### Tips

For quick fastening and locking frequently repeated connections.  
For lanyards & retaining cables see part nos. L to LA1224. For easy install locating bushes and end caps see part nos. LA1260 to LA1355.

Order No.	d <sub>1</sub> nom.	l <sub>1</sub> grip +0.02 -0.00	Material	d <sub>1</sub> max.	d <sub>1</sub> min.	d <sub>2</sub> ±0.005	d <sub>3</sub>	d <sub>4</sub>	d <sub>5</sub>	l <sub>2</sub> +0.000 -0.030	l <sub>3</sub>	l <sub>4</sub>	Loc'n hole min.   max.	Pull out strength lb min.	Calc. double shear lb
QR1226.I18-050-T	3/16	0.50	17-4 PH	.1885	.1870	0.220	0.47	0.23	0.81	0.260	0.92	0.63	.1900/ .1940	200	5150
QR1226.I18-075-T	3/16	0.75	17-4 PH	.1885	.1870	0.220	0.47	0.23	0.81	0.260	0.92	0.63	.1900/ .1940	200	5150
QR1226.I18-100-T	3/16	1.00	17-4 PH	.1885	.1870	0.220	0.47	0.23	0.81	0.260	0.92	0.63	.1900/ .1940	200	5150
QR1226.I18-125-T	3/16	1.25	17-4 PH	.1885	.1870	0.220	0.47	0.23	0.81	0.260	0.92	0.63	.1900/ .1940	200	5150
QR1226.I18-150-T	3/16	1.50	17-4 PH	.1885	.1870	0.220	0.47	0.23	0.81	0.260	0.92	0.63	.1900/ .1940	200	5150
QR1226.I18-175-T	3/16	1.75	17-4 PH	.1885	.1870	0.220	0.47	0.23	0.81	0.260	0.92	0.63	.1900/ .1940	200	5150
QR1226.I18-200-T	3/16	2.00	17-4 PH	.1885	.1870	0.220	0.47	0.23	0.81	0.260	0.92	0.63	.1900/ .1940	200	5150
QR1226.I18-250-T	3/16	2.50	17-4 PH	.1885	.1870	0.220	0.47	0.23	0.81	0.260	0.92	0.63	.1900/ .1940	200	5150
QR1226.I18-300-T	3/16	3.00	17-4 PH	.1885	.1870	0.220	0.47	0.23	0.81	0.260	0.92	0.63	.1900/ .1940	200	5150
QR1226.I18-350-T	3/16	3.50	17-4 PH	.1885	.1870	0.220	0.47	0.23	0.81	0.260	0.92	0.63	.1900/ .1940	200	5150
QR1226.I18-400-T	3/16	4.00	17-4 PH	.1885	.1870	0.220	0.47	0.23	0.81	0.260	0.92	0.63	.1900/ .1940	200	5150
QR1226.I25-050-T	1/4	0.50	17-4 PH	.2485	.2470	0.289	0.47	0.23	0.81	0.290	0.92	0.63	.2500/ .2540	230	9200
QR1226.I25-075-T	1/4	0.75	17-4 PH	.2485	.2470	0.289	0.47	0.23	0.81	0.290	0.92	0.63	.2500/ .2540	230	9200

# Quick Release Pins

# Quick Release Pins - Inch - B - handle

precipitation hardened stainless pin



QUICK RELEASE PINS

Order No.	d <sub>1</sub> nom.	l <sub>1</sub> grip +0.02 - -0.00	Material	d <sub>1</sub> max.	d <sub>1</sub> min.	d <sub>2</sub> ±0.0 05	d <sub>3</sub>	d <sub>4</sub>	d <sub>5</sub>	l <sub>2</sub> +0.000 - -0.030	l <sub>3</sub>	l <sub>4</sub>	Loc'n hole min.  max.	Pull out strength lb min.	Calc. double shear lb
QR1226.I25-100-T	1/4	1.00	17-4 PH	,248 5	,247 0	0.28 9	0.47	0.23	0.81	0.290	0.92	0.63	,2500/ ,2540	230	9200
QR1226.I25-125-T	1/4	1.25	17-4 PH	,248 5	,247 0	0.28 9	0.47	0.23	0.81	0.290	0.92	0.63	,2500/ ,2540	230	9200
QR1226.I25-150-T	1/4	1.50	17-4 PH	,248 5	,247 0	0.28 9	0.47	0.23	0.81	0.290	0.92	0.63	,2500/ ,2540	230	9200
QR1226.I25-175-T	1/4	1.75	17-4 PH	,248 5	,247 0	0.28 9	0.47	0.23	0.81	0.290	0.92	0.63	,2500/ ,2540	230	9200
QR1226.I25-200-T	1/4	2.00	17-4 PH	,248 5	,247 0	0.28 9	0.47	0.23	0.81	0.290	0.92	0.63	,2500/ ,2540	230	9200
QR1226.I25-250-T	1/4	2.50	17-4 PH	,248 5	,247 0	0.28 9	0.47	0.23	0.81	0.290	0.92	0.63	,2500/ ,2540	230	9200
QR1226.I25-300-T	1/4	3.00	17-4 PH	,248 5	,247 0	0.28 9	0.47	0.23	0.81	0.290	0.92	0.63	,2500/ ,2540	230	9200
QR1226.I25-350-T	1/4	3.50	17-4 PH	,248 5	,247 0	0.28 9	0.47	0.23	0.81	0.290	0.92	0.63	,2500/ ,2540	230	9200
QR1226.I25-400-T	1/4	4.00	17-4 PH	,248 5	,247 0	0.28 9	0.47	0.23	0.81	0.290	0.92	0.63	,2500/ ,2540	230	9200
QR1226.I31-050-T	5/16	0.50	17-4 PH	,311 0	,309 5	0.37 5	0.47	0.23	0.81	0.330	0.92	0.63	,3125/ ,3165	510	14400
QR1226.I31-075-T	5/16	0.75	17-4 PH	,311 0	,309 5	0.37 5	0.47	0.23	0.81	0.330	0.92	0.63	,3125/ ,3165	510	14400
QR1226.I31-100-T	5/16	1.00	17-4 PH	,311 0	,309 5	0.37 5	0.47	0.23	0.81	0.330	0.92	0.63	,3125/ ,3165	510	14400
QR1226.I31-125-T	5/16	1.25	17-4 PH	,311 0	,309 5	0.37 5	0.47	0.23	0.81	0.330	0.92	0.63	,3125/ ,3165	510	14400
QR1226.I31-150-T	5/16	1.50	17-4 PH	,311 0	,309 5	0.37 5	0.47	0.23	0.81	0.330	0.92	0.63	,3125/ ,3165	510	14400
QR1226.I31-175-T	5/16	1.75	17-4 PH	,311 0	,309 5	0.37 5	0.47	0.23	0.81	0.330	0.92	0.63	,3125/ ,3165	510	14400
QR1226.I31-200-T	5/16	2.00	17-4 PH	,311 0	,309 5	0.37 5	0.47	0.23	0.81	0.330	0.92	0.63	,3125/ ,3165	510	14400
QR1226.I31-250-T	5/16	2.50	17-4 PH	,311 0	,309 5	0.37 5	0.47	0.23	0.81	0.330	0.92	0.63	,3125/ ,3165	510	14400
QR1226.I31-300-T	5/16	3.00	17-4 PH	,311 0	,309 5	0.37 5	0.47	0.23	0.81	0.330	0.92	0.63	,3125/ ,3165	510	14400
QR1226.I31-350-T	5/16	3.50	17-4 PH	,311 0	,309 5	0.37 5	0.47	0.23	0.81	0.330	0.92	0.63	,3125/ ,3165	510	14400
QR1226.I31-400-T	5/16	4.00	17-4 PH	,311 0	,309 5	0.37 5	0.47	0.23	0.81	0.330	0.92	0.63	,3125/ ,3165	510	14400
QR1226.I37-050-T	3/8	0.50	17-4 PH	,373 5	,372 0	0.44 0	0.56	0.29	1.00	0.365	1.01	0.70	,3750/ ,3790	575	20600
QR1226.I37-075-T	3/8	0.75	17-4 PH	,373 5	,372 0	0.44 0	0.56	0.29	1.00	0.365	1.01	0.70	,3750/ ,3790	575	20600
QR1226.I37-100-T	3/8	1.00	17-4 PH	,373 5	,372 0	0.44 0	0.56	0.29	1.00	0.365	1.01	0.70	,3750/ ,3790	575	20600
QR1226.I37-125-T	3/8	1.25	17-4 PH	,373 5	,372 0	0.44 0	0.56	0.29	1.00	0.365	1.01	0.70	,3750/ ,3790	575	20600
QR1226.I37-150-T	3/8	1.50	17-4 PH	,373 5	,372 0	0.44 0	0.56	0.29	1.00	0.365	1.01	0.70	,3750/ ,3790	575	20600
QR1226.I37-175-T	3/8	1.75	17-4 PH	,373 5	,372 0	0.44 0	0.56	0.29	1.00	0.365	1.01	0.70	,3750/ ,3790	575	20600
QR1226.I37-200-T	3/8	2.00	17-4 PH	,373 5	,372 0	0.44 0	0.56	0.29	1.00	0.365	1.01	0.70	,3750/ ,3790	575	20600
QR1226.I37-250-T	3/8	2.50	17-4 PH	,373 5	,372 0	0.44 0	0.56	0.29	1.00	0.365	1.01	0.70	,3750/ ,3790	575	20600
QR1226.I37-300-T	3/8	3.00	17-4 PH	,373 5	,372 0	0.44 0	0.56	0.29	1.00	0.365	1.01	0.70	,3750/ ,3790	575	20600



# Quick Release Pins - Inch - B - handle

precipitation hardened stainless pin

# Quick Release Pins

Order No.	d <sub>1</sub> nom.	l <sub>1</sub> grip +0.02 - -0.00	Material	d <sub>1</sub> max.	d <sub>1</sub> min.	d <sub>2</sub> ±0.0 05	d <sub>3</sub>	d <sub>4</sub>	d <sub>5</sub>	l <sub>2</sub> +0.000 - 0.030	l <sub>3</sub>	l <sub>4</sub>	Loc'n hole min.  max.	Pull out strength lb min.	Calc. double shear lb
QR1226.I37-350-T	3/8	3.50	17-4 PH	,373 5	,372 0	0.44 0	0.56	0.29	1.00	0.365	1.01	0.70	,3750/ ,3790	575	20600
QR1226.I37-400-T	3/8	4.00	17-4 PH	,373 5	,372 0	0.44 0	0.56	0.29	1.00	0.365	1.01	0.70	,3750/ ,3790	575	20600
QR1226.I50-100-T	1/2	1.00	17-4 PH	,498 5	,497 0	0.59 4	0.72	0.42	1.37	0.460	1.27	0.85	,5000/ ,5050	1160	36800
QR1226.I50-125-T	1/2	1.25	17-4 PH	,498 5	,497 0	0.59 4	0.72	0.42	1.37	0.460	1.27	0.85	,5000/ ,5050	1160	36800
QR1226.I50-150-T	1/2	1.50	17-4 PH	,498 5	,497 0	0.59 4	0.72	0.42	1.37	0.460	1.27	0.85	,5000/ ,5050	1160	36800
QR1226.I50-175-T	1/2	1.75	17-4 PH	,498 5	,497 0	0.59 4	0.72	0.42	1.37	0.460	1.27	0.85	,5000/ ,5050	1160	36800
QR1226.I50-200-T	1/2	2.00	17-4 PH	,498 5	,497 0	0.59 4	0.72	0.42	1.37	0.460	1.27	0.85	,5000/ ,5050	1160	36800
QR1226.I50-250-T	1/2	2.50	17-4 PH	,498 5	,497 0	0.59 4	0.72	0.42	1.37	0.460	1.27	0.85	,5000/ ,5050	1160	36800
QR1226.I50-300-T	1/2	3.00	17-4 PH	,498 5	,497 0	0.59 4	0.72	0.42	1.37	0.460	1.27	0.85	,5000/ ,5050	1160	36800
QR1226.I50-350-T	1/2	3.50	17-4 PH	,498 5	,497 0	0.59 4	0.72	0.42	1.37	0.460	1.27	0.85	,5000/ ,5050	1160	36800
QR1226.I50-400-T	1/2	4.00	17-4 PH	,498 5	,497 0	0.59 4	0.72	0.42	1.37	0.460	1.27	0.85	,5000/ ,5050	1160	36800
QR1226.I50-450-T	1/2	4.50	17-4 PH	,498 5	,497 0	0.59 4	0.72	0.42	1.37	0.460	1.27	0.85	,5000/ ,5050	1160	36800
QR1226.I50-500-T	1/2	5.00	17-4 PH	,498 5	,497 0	0.59 4	0.72	0.42	1.37	0.460	1.27	0.85	,5000/ ,5050	1160	36800
QR1226.I50-550-T	1/2	5.50	17-4 PH	,498 5	,497 0	0.59 4	0.72	0.42	1.37	0.460	1.27	0.85	,5000/ ,5050	1160	36800
QR1226.I50-600-T	1/2	6.00	17-4 PH	,498 5	,497 0	0.59 4	0.72	0.42	1.37	0.460	1.27	0.85	,5000/ ,5050	1160	36800
QR1226.I62-150-T	5/8	1.50	17-4 PH	,623 5	,622 0	0.75 0	0.94	0.54	1.75	0.580	1.65	1.10	,6250/ ,6300	2070	57500
QR1226.I62-175-T	5/8	1.75	17-4 PH	,623 5	,622 0	0.75 0	0.94	0.54	1.75	0.580	1.65	1.10	,6250/ ,6300	2070	57500
QR1226.I62-200-T	5/8	2.00	17-4 PH	,623 5	,622 0	0.75 0	0.94	0.54	1.75	0.580	1.65	1.10	,6250/ ,6300	2070	57500
QR1226.I62-250-T	5/8	2.50	17-4 PH	,623 5	,622 0	0.75 0	0.94	0.54	1.75	0.580	1.65	1.10	,6250/ ,6300	2070	57500
QR1226.I62-300-T	5/8	3.00	17-4 PH	,623 5	,622 0	0.75 0	0.94	0.54	1.75	0.580	1.65	1.10	,6250/ ,6300	2070	57500
QR1226.I62-350-T	5/8	3.50	17-4 PH	,623 5	,622 0	0.75 0	0.94	0.54	1.75	0.580	1.65	1.10	,6250/ ,6300	2070	57500
QR1226.I62-400-T	5/8	4.00	17-4 PH	,623 5	,622 0	0.75 0	0.94	0.54	1.75	0.580	1.65	1.10	,6250/ ,6300	2070	57500
QR1226.I62-450-T	5/8	4.50	17-4 PH	,623 5	,622 0	0.75 0	0.94	0.54	1.75	0.580	1.65	1.10	,6250/ ,6300	2070	57500
QR1226.I62-500-T	5/8	5.00	17-4 PH	,623 5	,622 0	0.75 0	0.94	0.54	1.75	0.580	1.65	1.10	,6250/ ,6300	2070	57500
QR1226.I62-550-T	5/8	5.50	17-4 PH	,623 5	,622 0	0.75 0	0.94	0.54	1.75	0.580	1.65	1.10	,6250/ ,6300	2070	57500
QR1226.I62-600-T	5/8	6.00	17-4 PH	,623 5	,622 0	0.75 0	0.94	0.54	1.75	0.580	1.65	1.10	,6250/ ,6300	2070	57500

QUICK RELEASE PINS

# Quick Release Pins

# Quick Release Pins - Metric - B-handle

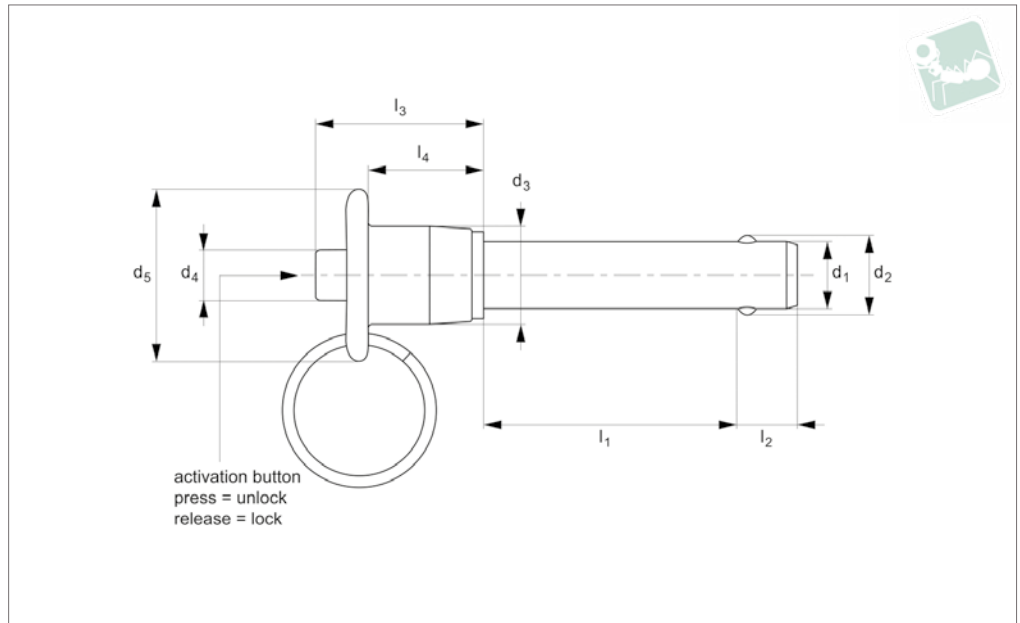
precipitation hardened stainless pin - stainless



QUICK RELEASE PINS



**QR1256**



### Material

Pin: stainless steel 17-4PH (DIN 1.4542, AISI 630), precipitation hardened, passivated. Tensile strength 1,300 N/mm<sup>2</sup> min. HRC 40. RoHS compliant.  
 Handle: stainless steel, AISI 303 (DIN 1.4305), passivated.  
 Actuator button: stainless steel, AISI 303 (DIN 1.4305), passivated.

Internal spindle, balls and split ring (supplied); from stainless steel.

### Technical Notes

Pressing = unlocking.  
 Releasing = locking.  
 Temperature range -30°C to +150°C  
**Supplied with split ring.**

### Tips

For quick fastening and locking frequently repeated connections.  
 For lanyards & retaining cables see part nos. L to LA1224. For easy install locating bushes and end caps see part nos. LA1260 to LA1355.

Order No.	d <sub>1</sub> nom.	l <sub>1</sub> grip +0.50 - 0.00	Material	d <sub>1</sub> max.	d <sub>1</sub> min.	d <sub>2</sub> ±0.25	d <sub>3</sub>	d <sub>4</sub>	d <sub>5</sub>	l <sub>2</sub> ±1.00	l <sub>3</sub>	l <sub>4</sub>	Loc'n hole min.  max.	Pull out strength kN min.	Calc. double shear kN
QR1256.M05-010-T	5	10	17-4 PH	4.96	4.92	5.54	11.9	5.8	20.6	6	23.4	16.0	5,0/5,1	0.89	24.4
QR1256.M05-015-T	5	15	17-4 PH	4.96	4.92	5.54	11.9	5.8	20.6	6	23.4	16.0	5,0/5,1	0.89	24.4
QR1256.M05-020-T	5	20	17-4 PH	4.96	4.92	5.54	11.9	5.8	20.6	6	23.4	16.0	5,0/5,1	0.89	24.4
QR1256.M05-025-T	5	25	17-4 PH	4.96	4.92	5.54	11.9	5.8	20.6	6	23.4	16.0	5,0/5,1	0.89	24.4
QR1256.M05-030-T	5	30	17-4 PH	4.96	4.92	5.54	11.9	5.8	20.6	6	23.4	16.0	5,0/5,1	0.89	24.4
QR1256.M05-035-T	5	35	17-4 PH	4.96	4.92	5.54	11.9	5.8	20.6	6	23.4	16.0	5,0/5,1	0.89	24.4
QR1256.M05-040-T	5	40	17-4 PH	4.96	4.92	5.54	11.9	5.8	20.6	6	23.4	16.0	5,0/5,1	0.89	24.4
QR1256.M05-045-T	5	45	17-4 PH	4.96	4.92	5.54	11.9	5.8	20.6	6	23.4	16.0	5,0/5,1	0.89	24.4
QR1256.M05-050-T	5	50	17-4 PH	4.96	4.92	5.54	11.9	5.8	20.6	6	23.4	16.0	5,0/5,1	0.89	24.4
QR1256.M05-060-T	5	60	17-4 PH	4.96	4.92	5.54	11.9	5.8	20.6	6	23.4	16.0	5,0/5,1	0.89	24.4
QR1256.M05-070-T	5	70	17-4 PH	4.96	4.92	5.54	11.9	5.8	20.6	6	23.4	16.0	5,0/5,1	0.89	24.4
QR1256.M05-080-T	5	80	17-4 PH	4.96	4.92	5.54	11.9	5.8	20.6	6	23.4	16.0	5,0/5,1	0.89	24.4
QR1256.M05-090-T	5	90	17-4 PH	4.96	4.92	5.54	11.9	5.8	20.6	6	23.4	16.0	5,0/5,1	0.89	24.4





# Quick Release Pins - Metric - B-handle

precipitation hardened stainless pin - stainless

## Quick Release Pins

Order No.	d <sub>1</sub> nom.	l <sub>1</sub> grip +0.50 - 0.00	Material	d <sub>1</sub> max.	d <sub>1</sub> min.	d <sub>2</sub> ±0.25	d <sub>3</sub>	d <sub>4</sub>	d <sub>5</sub>	l <sub>2</sub> ±1.00	l <sub>3</sub>	l <sub>4</sub>	Loc'n hole min.   max.	Pull out strength kN min.	Calc. double shear kN
QR1256.M05-100-T	5	100	17-4 PH	4.96	4.92	5.54	11.9	5.8	20.6	6	23.4	16.0	5,0/5,1	0.89	24.4
QR1256.M06-010-T	6	10	17-4 PH	5.96	5.92	6.99	11.9	5.8	20.6	7	23.4	16.0	6,0/6,1	1.02	35.64
QR1256.M06-015-T	6	15	17-4 PH	5.96	5.92	6.99	11.9	5.8	20.6	7	23.4	16.0	6,0/6,1	1.02	35.64
QR1256.M06-020-T	6	20	17-4 PH	5.96	5.92	6.99	11.9	5.8	20.6	7	23.4	16.0	6,0/6,1	1.02	35.64
QR1256.M06-025-T	6	25	17-4 PH	5.96	5.92	6.99	11.9	5.8	20.6	7	23.4	16.0	6,0/6,1	1.02	35.64
QR1256.M06-030-T	6	30	17-4 PH	5.96	5.92	6.99	11.9	5.8	20.6	7	23.4	16.0	6,0/6,1	1.02	35.64
QR1256.M06-035-T	6	35	17-4 PH	5.96	5.92	6.99	11.9	5.8	20.6	7	23.4	16.0	6,0/6,1	1.02	35.64
QR1256.M06-040-T	6	40	17-4 PH	5.96	5.92	6.99	11.9	5.8	20.6	7	23.4	16.0	6,0/6,1	1.02	35.64
QR1256.M06-045-T	6	45	17-4 PH	5.96	5.92	6.99	11.9	5.8	20.6	7	23.4	16.0	6,0/6,1	1.02	35.64
QR1256.M06-050-T	6	50	17-4 PH	5.96	5.92	6.99	11.9	5.8	20.6	7	23.4	16.0	6,0/6,1	1.02	35.64
QR1256.M06-060-T	6	60	17-4 PH	5.96	5.92	6.99	11.9	5.8	20.6	7	23.4	16.0	6,0/6,1	1.02	35.64
QR1256.M06-070-T	6	70	17-4 PH	5.96	5.92	6.99	11.9	5.8	20.6	7	23.4	16.0	6,0/6,1	1.02	35.64
QR1256.M06-080-T	6	80	17-4 PH	5.96	5.92	6.99	11.9	5.8	20.6	7	23.4	16.0	6,0/6,1	1.02	35.64
QR1256.M06-090-T	6	90	17-4 PH	5.96	5.92	6.99	11.9	5.8	20.6	7	23.4	16.0	6,0/6,1	1.02	35.64
QR1256.M06-100-T	6	100	17-4 PH	5.96	5.92	6.99	11.9	5.8	20.6	7	23.4	16.0	6,0/6,1	1.02	35.64
QR1256.M08-010-T	8	10	17-4 PH	7.96	7.92	9.42	11.9	5.8	20.6	8	23.4	16.0	8,0/8,1	2.30	63.80
QR1256.M08-015-T	8	15	17-4 PH	7.96	7.92	9.42	11.9	5.8	20.6	8	23.4	16.0	8,0/8,1	2.30	63.80
QR1256.M08-020-T	8	20	17-4 PH	7.96	7.92	9.42	11.9	5.8	20.6	8	23.4	16.0	8,0/8,1	2.30	63.80
QR1256.M08-025-T	8	25	17-4 PH	7.96	7.92	9.42	11.9	5.8	20.6	8	23.4	16.0	8,0/8,1	2.30	63.80
QR1256.M08-030-T	8	30	17-4 PH	7.96	7.92	9.42	11.9	5.8	20.6	8	23.4	16.0	8,0/8,1	2.30	63.80
QR1256.M08-035-T	8	35	17-4 PH	7.96	7.92	9.42	11.9	5.8	20.6	8	23.4	16.0	8,0/8,1	2.30	63.80
QR1256.M08-040-T	8	40	17-4 PH	7.96	7.92	9.42	11.9	5.8	20.6	8	23.4	16.0	8,0/8,1	2.30	63.80
QR1256.M08-045-T	8	45	17-4 PH	7.96	7.92	9.42	11.9	5.8	20.6	8	23.4	16.0	8,0/8,1	2.30	63.80
QR1256.M08-050-T	8	50	17-4 PH	7.96	7.92	9.42	11.9	5.8	20.6	8	23.4	16.0	8,0/8,1	2.30	63.80
QR1256.M08-060-T	8	60	17-4 PH	7.96	7.92	9.42	11.9	5.8	20.6	8	23.4	16.0	8,0/8,1	2.30	63.80
QR1256.M08-070-T	8	70	17-4 PH	7.96	7.92	9.42	11.9	5.8	20.6	8	23.4	16.0	8,0/8,1	2.30	63.80
QR1256.M08-080-T	8	80	17-4 PH	7.96	7.92	9.42	11.9	5.8	20.6	8	23.4	16.0	8,0/8,1	2.30	63.80
QR1256.M08-090-T	8	90	17-4 PH	7.96	7.92	9.42	11.9	5.8	20.6	8	23.4	16.0	8,0/8,1	2.30	63.80
QR1256.M08-100-T	8	100	17-4 PH	7.96	7.92	9.42	11.9	5.8	20.6	8	23.4	16.0	8,0/8,1	2.30	63.80
QR1256.M10-015-T	10	15	17-4 PH	9.96	9.92	11.8 6	14.2	7.4	25.4	9	25.7	17.8	10,0/ 10,1	2.56	100.10
QR1256.M10-020-T	10	20	17-4 PH	9.96	9.92	11.8 6	14.2	7.4	25.4	9	25.7	17.8	10,0/ 10,1	2.56	100.10
QR1256.M10-025-T	10	25	17-4 PH	9.96	9.92	11.8 6	14.2	7.4	25.4	9	25.7	17.8	10,0/ 10,1	2.56	100.10
QR1256.M10-030-T	10	30	17-4 PH	9.96	9.92	11.8 6	14.2	7.4	25.4	9	25.7	17.8	10,0/ 10,1	2.56	100.10

QUICK RELEASE PINS

# Quick Release Pins

# Quick Release Pins - Metric - B-handle

precipitation hardened stainless pin - stainless



QUICK RELEASE PINS

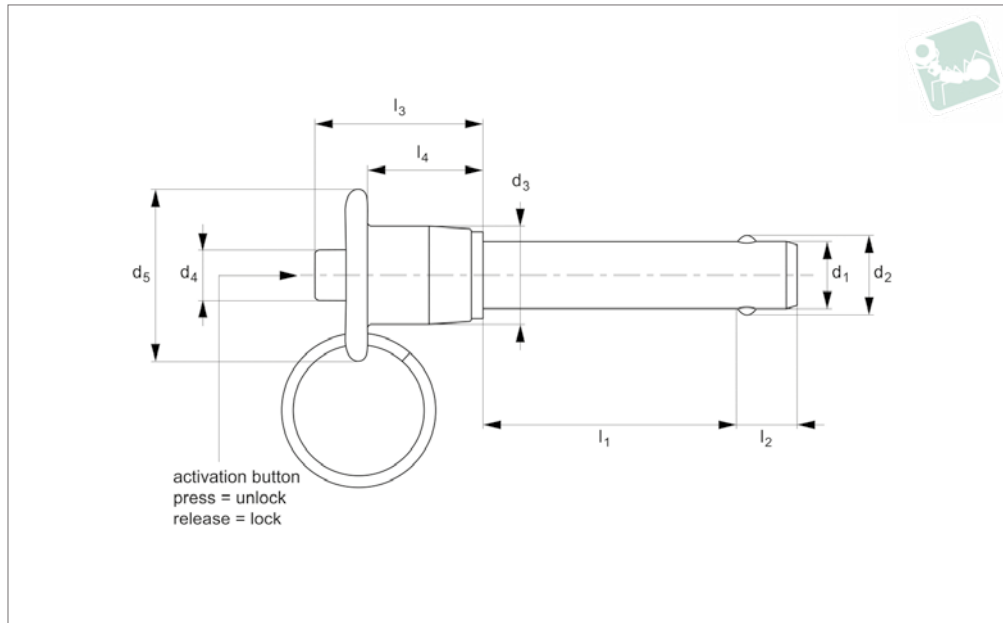
Order No.	d <sub>1</sub> nom.	l <sub>1</sub> grip +0.50 - 0.00	Material	d <sub>1</sub> max.	d <sub>1</sub> min.	d <sub>2</sub> ±0.25	d <sub>3</sub>	d <sub>4</sub>	d <sub>5</sub>	l <sub>2</sub> ±1.00	l <sub>3</sub>	l <sub>4</sub>	Loc'n hole min.  max. 10,0/ 10,1	Pull out strength kN min.	Calc. double shear kN
QR1256.M10-035-T	10	35	17-4 PH	9.96	9.92	11.8 6	14.2	7.4	25.4	9	25.7	17.8	10,0/ 10,1	2.56	100.10
QR1256.M10-040-T	10	40	17-4 PH	9.96	9.92	11.8 6	14.2	7.4	25.4	9	25.7	17.8	10,0/ 10,1	2.56	100.10
QR1256.M10-045-T	10	45	17-4 PH	9.96	9.92	11.8 6	14.2	7.4	25.4	9	25.7	17.8	10,0/ 10,1	2.56	100.10
QR1256.M10-050-T	10	50	17-4 PH	9.96	9.92	11.8 6	14.2	7.4	25.4	9	25.7	17.8	10,0/ 10,1	2.56	100.10
QR1256.M10-060-T	10	60	17-4 PH	9.96	9.92	11.8 6	14.2	7.4	25.4	9	25.7	17.8	10,0/ 10,1	2.56	100.10
QR1256.M10-070-T	10	70	17-4 PH	9.96	9.92	11.8 6	14.2	7.4	25.4	9	25.7	17.8	10,0/ 10,1	2.56	100.10
QR1256.M10-080-T	10	80	17-4 PH	9.96	9.92	11.8 6	14.2	7.4	25.4	9	25.7	17.8	10,0/ 10,1	2.56	100.10
QR1256.M10-090-T	10	90	17-4 PH	9.96	9.92	11.8 6	14.2	7.4	25.4	9	25.7	17.8	10,0/ 10,1	2.56	100.10
QR1256.M10-100-T	10	100	17-4 PH	9.96	9.92	11.8 6	14.2	7.4	25.4	9	25.7	17.8	10,0/ 10,1	2.56	100.10
QR1256.M12-020-T	12	20	17-4 PH	11.9 6	11.9 2	14.4 5	18.3	10.7	34.7	10	32.3	21.6	12,0/ 12,1	5.16	144.06
QR1256.M12-025-T	12	25	17-4 PH	11.9 6	11.9 2	14.4 5	18.3	10.7	34.7	10	32.3	21.6	12,0/ 12,1	5.16	144.06
QR1256.M12-030-T	12	30	17-4 PH	11.9 6	11.9 2	14.4 5	18.3	10.7	34.7	10	32.3	21.6	12,0/ 12,1	5.16	144.06
QR1256.M12-035-T	12	35	17-4 PH	11.9 6	11.9 2	14.4 5	18.3	10.7	34.7	10	32.3	21.6	12,0/ 12,1	5.16	144.06
QR1256.M12-040-T	12	40	17-4 PH	11.9 6	11.9 2	14.4 5	18.3	10.7	34.7	10	32.3	21.6	12,0/ 12,1	5.16	144.06
QR1256.M12-045-T	12	45	17-4 PH	11.9 6	11.9 2	14.4 5	18.3	10.7	34.7	10	32.3	21.6	12,0/ 12,1	5.16	144.06
QR1256.M12-050-T	12	50	17-4 PH	11.9 6	11.9 2	14.4 5	18.3	10.7	34.7	10	32.3	21.6	12,0/ 12,1	5.16	144.06
QR1256.M12-060-T	12	60	17-4 PH	11.9 6	11.9 2	14.4 5	18.3	10.7	34.7	10	32.3	21.6	12,0/ 12,1	5.16	144.06
QR1256.M12-070-T	12	70	17-4 PH	11.9 6	11.9 2	14.4 5	18.3	10.7	34.7	10	32.3	21.6	12,0/ 12,1	5.16	144.06
QR1256.M12-080-T	12	80	17-4 PH	11.9 6	11.9 2	14.4 5	18.3	10.7	34.7	10	32.3	21.6	12,0/ 12,1	5.16	144.06
QR1256.M12-090-T	12	90	17-4 PH	11.9 6	11.9 2	14.4 5	18.3	10.7	34.7	10	32.3	21.6	12,0/ 12,1	5.16	144.06
QR1256.M12-100-T	12	100	17-4 PH	11.9 6	11.9 2	14.4 5	18.3	10.7	34.7	10	32.3	21.6	12,0/ 12,1	5.16	144.06



# Quick Release Pins - Inch - B-handle

stainless pin - stainless handle

# Quick Release Pins



## QR1274

QUICK RELEASE PINS

### Material

Pin: stainless steel, AISI 304 (DIN 1.4301) or AISI 303 (DIN 1.4305), passivated.  
Tensile strength 500 N/mm<sup>2</sup> min. RoHS compliant.  
Handle: stainless steel, AISI 303 (DIN 1.4305), passivated.  
Actuator button: stainless steel, AISI 303 (DIN 1.4305), passivated.

Internal spindle, balls and split ring (supplied); from stainless steel.

### Technical Notes

Pressing = unlocking.  
Releasing = locking.  
Temperature range -30°C to +150°C  
**Supplied with split ring.**

### Tips

For quick fastening and locking frequently repeated connections.  
For lanyards & retaining cables see part nos. L to LA1224. For easy install locating bushes and end caps see part nos. LA1260 to LA1355.

Order No.	d <sub>1</sub> nom.	l <sub>1</sub> grip +0.02 -0.00	Material	d <sub>1</sub> max.	d <sub>1</sub> min.	d <sub>2</sub> ±0.005	d <sub>3</sub>	d <sub>4</sub>	d <sub>5</sub>	l <sub>2</sub> +0.000 -0.030	l <sub>3</sub>	l <sub>4</sub>	Loc'n hole min.  max.	Pull out strength lb min.	Calc. double shear lb
QR1274.I25-050-S	1/4	0.50	304 SS	.2485	.2470	0.289	0.47	0.23	0.81	0.290	0.92	0.63	.2500/ .2540	230	2200
QR1274.I25-075-S	1/4	0.75	304 SS	.2485	.2470	0.289	0.47	0.23	0.81	0.290	0.92	0.63	.2500/ .2540	230	2200
QR1274.I25-100-S	1/4	1.00	304 SS	.2485	.2470	0.289	0.47	0.23	0.81	0.290	0.92	0.63	.2500/ .2540	230	2200
QR1274.I25-125-S	1/4	1.25	304 SS	.2485	.2470	0.289	0.47	0.23	0.81	0.290	0.92	0.63	.2500/ .2540	230	2200
QR1274.I25-150-S	1/4	1.50	304 SS	.2485	.2470	0.289	0.47	0.23	0.81	0.290	0.92	0.63	.2500/ .2540	230	2200
QR1274.I25-175-S	1/4	1.75	304 SS	.2485	.2470	0.289	0.47	0.23	0.81	0.290	0.92	0.63	.2500/ .2540	230	2200
QR1274.I25-200-S	1/4	2.00	304 SS	.2485	.2470	0.289	0.47	0.23	0.81	0.290	0.92	0.63	.2500/ .2540	230	2200
QR1274.I25-250-S	1/4	2.50	304 SS	.2485	.2470	0.289	0.47	0.23	0.81	0.290	0.92	0.63	.2500/ .2540	230	2200
QR1274.I25-300-S	1/4	3.00	304 SS	.2485	.2470	0.289	0.47	0.23	0.81	0.290	0.92	0.63	.2500/ .2540	230	2200
QR1274.I25-350-S	1/4	3.50	304 SS	.2485	.2470	0.289	0.47	0.23	0.81	0.290	0.92	0.63	.2500/ .2540	230	2200
QR1274.I25-400-S	1/4	4.00	304 SS	.2485	.2470	0.289	0.47	0.23	0.81	0.290	0.92	0.63	.2500/ .2540	230	2200
QR1274.I31-050-S	5/16	0.50	304 SS	.3110	.3095	0.375	0.47	0.23	0.81	0.330	0.92	0.63	.3125/ .3165	510	3500
QR1274.I31-075-S	5/16	0.75	304 SS	.3110	.3095	0.375	0.47	0.23	0.81	0.330	0.92	0.63	.3125/ .3165	510	3500

# Quick Release Pins

# Quick Release Pins - Inch - B-handle

stainless pin - stainless handle



QUICK RELEASE PINS

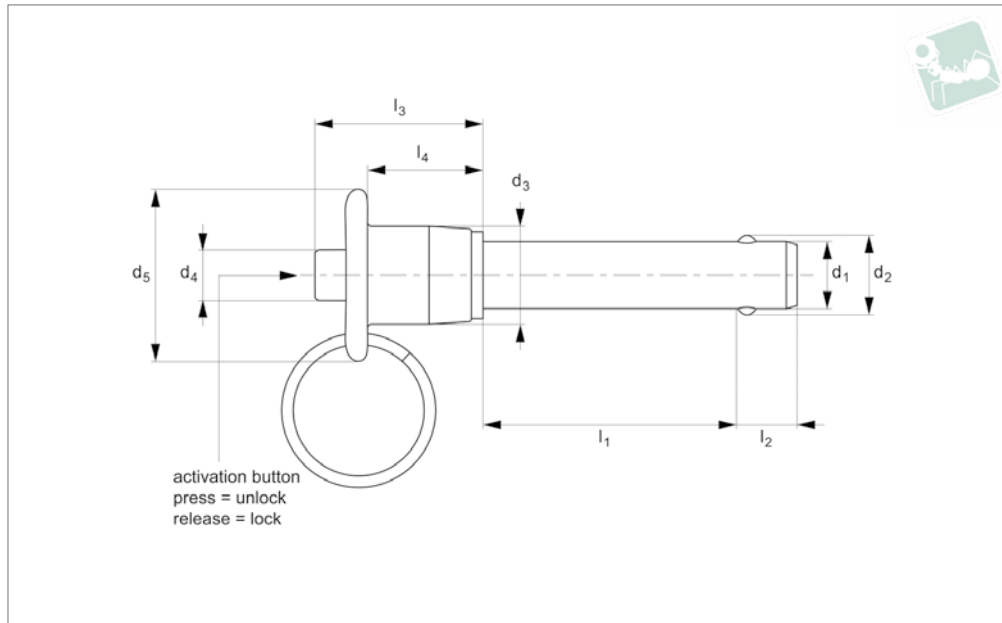
Order No.	d <sub>1</sub> nom.	l <sub>1</sub> grip +0.02 - -0.00	Material	d <sub>1</sub> max.	d <sub>1</sub> min.	d <sub>2</sub> ±0.0 05	d <sub>3</sub>	d <sub>4</sub>	d <sub>5</sub>	l <sub>2</sub> +0.000 - -0.030	l <sub>3</sub>	l <sub>4</sub>	Loc'n hole min.  max.	Pull out strength lb min.	Calc. double shear lb
QR1274.I31-100-S	5/16	1.00	304 SS	,311 0	,309 5	0.37 5	0.47	0.23	0.81	0.330	0.92	0.63	,3125/ ,3165	510	3500
QR1274.I31-125-S	5/16	1.25	304 SS	,311 0	,309 5	0.37 5	0.47	0.23	0.81	0.330	0.92	0.63	,3125/ ,3165	510	3500
QR1274.I31-150-S	5/16	1.50	304 SS	,311 0	,309 5	0.37 5	0.47	0.23	0.81	0.330	0.92	0.63	,3125/ ,3165	510	3500
QR1274.I31-175-S	5/16	1.75	304 SS	,311 0	,309 5	0.37 5	0.47	0.23	0.81	0.330	0.92	0.63	,3125/ ,3165	510	3500
QR1274.I31-200-S	5/16	2.00	304 SS	,311 0	,309 5	0.37 5	0.47	0.23	0.81	0.330	0.92	0.63	,3125/ ,3165	510	3500
QR1274.I31-250-S	5/16	2.50	304 SS	,311 0	,309 5	0.37 5	0.47	0.23	0.81	0.330	0.92	0.63	,3125/ ,3165	510	3500
QR1274.I31-300-S	5/16	3.00	304 SS	,311 0	,309 5	0.37 5	0.47	0.23	0.81	0.330	0.92	0.63	,3125/ ,3165	510	3500
QR1274.I31-350-S	5/16	3.50	304 SS	,311 0	,309 5	0.37 5	0.47	0.23	0.81	0.330	0.92	0.63	,3125/ ,3165	510	3500
QR1274.I31-400-S	5/16	4.00	304 SS	,311 0	,309 5	0.37 5	0.47	0.23	0.81	0.330	0.92	0.63	,3125/ ,3165	510	3500
QR1274.I37-050-S	3/8	0.50	304 SS	,373 5	,372 0	0.44 0	0.56	0.29	1.00	0.365	1.01	0.70	,3750/ ,3790	575	4500
QR1274.I37-075-S	3/8	0.75	304 SS	,373 5	,372 0	0.44 0	0.56	0.29	1.00	0.365	1.01	0.70	,3750/ ,3790	575	4500
QR1274.I37-100-S	3/8	1.00	304 SS	,373 5	,372 0	0.44 0	0.56	0.29	1.00	0.365	1.01	0.70	,3750/ ,3790	575	4500
QR1274.I37-125-S	3/8	1.25	304 SS	,373 5	,372 0	0.44 0	0.56	0.29	1.00	0.365	1.01	0.70	,3750/ ,3790	575	4500
QR1274.I37-150-S	3/8	1.50	304 SS	,373 5	,372 0	0.44 0	0.56	0.29	1.00	0.365	1.01	0.70	,3750/ ,3790	575	4500
QR1274.I37-175-S	3/8	1.75	304 SS	,373 5	,372 0	0.44 0	0.56	0.29	1.00	0.365	1.01	0.70	,3750/ ,3790	575	4500
QR1274.I37-200-S	3/8	2.00	304 SS	,373 5	,372 0	0.44 0	0.56	0.29	1.00	0.365	1.01	0.70	,3750/ ,3790	575	4500
QR1274.I37-250-S	3/8	2.50	304 SS	,373 5	,372 0	0.44 0	0.56	0.29	1.00	0.365	1.01	0.70	,3750/ ,3790	575	4500
QR1274.I37-300-S	3/8	3.00	304 SS	,373 5	,372 0	0.44 0	0.56	0.29	1.00	0.365	1.01	0.70	,3750/ ,3790	575	4500
QR1274.I37-350-S	3/8	3.50	304 SS	,373 5	,372 0	0.44 0	0.56	0.29	1.00	0.365	1.01	0.70	,3750/ ,3790	575	4500
QR1274.I37-400-S	3/8	4.00	304 SS	,373 5	,372 0	0.44 0	0.56	0.29	1.00	0.365	1.01	0.70	,3750/ ,3790	575	4500
QR1274.I50-100-S	1/2	1.00	304 SS	,498 5	,497 0	0.59 4	0.72	0.42	1.37	0.460	1.27	0.85	,5000/ ,5050	1160	11500
QR1274.I50-125-S	1/2	1.25	304 SS	,498 5	,497 0	0.59 4	0.72	0.42	1.37	0.460	1.27	0.85	,5000/ ,5050	1160	11500
QR1274.I50-150-S	1/2	1.50	304 SS	,498 5	,497 0	0.59 4	0.72	0.42	1.37	0.460	1.27	0.85	,5000/ ,5050	1160	11500
QR1274.I50-175-S	1/2	1.75	304 SS	,498 5	,497 0	0.59 4	0.72	0.42	1.37	0.460	1.27	0.85	,5000/ ,5050	1160	11500
QR1274.I50-200-S	1/2	2.00	304 SS	,498 5	,497 0	0.59 4	0.72	0.42	1.37	0.460	1.27	0.85	,5000/ ,5050	1160	11500
QR1274.I50-250-S	1/2	2.50	304 SS	,498 5	,497 0	0.59 4	0.72	0.42	1.37	0.460	1.27	0.85	,5000/ ,5050	1160	11500
QR1274.I50-300-S	1/2	3.00	304 SS	,498 5	,497 0	0.59 4	0.72	0.42	1.37	0.460	1.27	0.85	,5000/ ,5050	1160	11500
QR1274.I50-350-S	1/2	3.50	304 SS	,498 5	,497 0	0.59 4	0.72	0.42	1.37	0.460	1.27	0.85	,5000/ ,5050	1160	11500
QR1274.I50-400-S	1/2	4.00	304 SS	,498 5	,497 0	0.59 4	0.72	0.42	1.37	0.460	1.27	0.85	,5000/ ,5050	1160	11500
QR1274.I50-450-S	1/2	4.50	304 SS	,498 5	,497 0	0.59 4	0.72	0.42	1.37	0.460	1.27	0.85	,5000/ ,5050	1160	11500
QR1274.I50-500-S	1/2	5.00	304 SS	,498 5	,497 0	0.59 4	0.72	0.42	1.37	0.460	1.27	0.85	,5000/ ,5050	1160	11500
QR1274.I50-550-S	1/2	5.50	304 SS	,498 5	,497 0	0.59 4	0.72	0.42	1.37	0.460	1.27	0.85	,5000/ ,5050	1160	11500
QR1274.I50-600-S	1/2	6.00	304 SS	,498 5	,497 0	0.59 4	0.72	0.42	1.37	0.460	1.27	0.85	,5000/ ,5050	1160	11500



# Quick Release Pins - Inch - B-handle

precipitation hardened stainless pin - stainless

# Quick Release Pins



## QR1276

QUICK RELEASE PINS

### Material

Pin: stainless steel 17-4PH (DIN 1.4542, AISI 630), precipitation hardened, passivated. Tensile strength 1,300 N/mm<sup>2</sup> min. HRC 40. RoHS compliant.  
Handle: stainless steel, AISI 303 (DIN 1.4305), passivated.  
Actuator button: stainless steel, AISI 303 (DIN 1.4305), passivated.

Internal spindle, balls and split ring (supplied); from stainless steel.

### Technical Notes

Pressing = unlocking.  
Releasing = locking.  
Temperature range -30°C to +150°C  
**Supplied with split ring.**

### Tips

For quick fastening and locking frequently repeated connections.  
For lanyards & retaining cables see part nos. L to LA1224. For easy install locating bushes and end caps see part nos. LA1260 to LA1355.

Order No.	d <sub>1</sub> nom.	l <sub>1</sub> grip +0.02 -0.00	Material	d <sub>1</sub> max.	d <sub>1</sub> min.	d <sub>2</sub> ±0.0 05	d <sub>3</sub>	d <sub>4</sub>	d <sub>5</sub>	l <sub>2</sub> +0.000 -0.030	l <sub>3</sub>	l <sub>4</sub>	Loc'n hole min.   max.	Pull out strength lb min.	Calc. double shear lb
QR1276.I18-050-T	3/16	0.50	17-4 PH	,188 5	,187 0	0.22 0	0.47	0.23	0.81	0.260	0.92	0.63	,1900/ ,1940	200	5150
QR1276.I18-075-T	3/16	0.75	17-4 PH	,188 5	,187 0	0.22 0	0.47	0.23	0.81	0.260	0.92	0.63	,1900/ ,1940	200	5150
QR1276.I18-100-T	3/16	1.00	17-4 PH	,188 5	,187 0	0.22 0	0.47	0.23	0.81	0.260	0.92	0.63	,1900/ ,1940	200	5150
QR1276.I18-125-T	3/16	1.25	17-4 PH	,188 5	,187 0	0.22 0	0.47	0.23	0.81	0.260	0.92	0.63	,1900/ ,1940	200	5150
QR1276.I18-150-T	3/16	1.50	17-4 PH	,188 5	,187 0	0.22 0	0.47	0.23	0.81	0.260	0.92	0.63	,1900/ ,1940	200	5150
QR1276.I18-175-T	3/16	1.75	17-4 PH	,188 5	,187 0	0.22 0	0.47	0.23	0.81	0.260	0.92	0.63	,1900/ ,1940	200	5150
QR1276.I18-200-T	3/16	2.00	17-4 PH	,188 5	,187 0	0.22 0	0.47	0.23	0.81	0.260	0.92	0.63	,1900/ ,1940	200	5150
QR1276.I18-250-T	3/16	2.50	17-4 PH	,188 5	,187 0	0.22 0	0.47	0.23	0.81	0.260	0.92	0.63	,1900/ ,1940	200	5150
QR1276.I18-300-T	3/16	3.00	17-4 PH	,188 5	,187 0	0.22 0	0.47	0.23	0.81	0.260	0.92	0.63	,1900/ ,1940	200	5150
QR1276.I18-350-T	3/16	3.50	17-4 PH	,188 5	,187 0	0.22 0	0.47	0.23	0.81	0.260	0.92	0.63	,1900/ ,1940	200	5150
QR1276.I18-400-T	3/16	4.00	17-4 PH	,188 5	,187 0	0.22 0	0.47	0.23	0.81	0.260	0.92	0.63	,1900/ ,1940	200	5150
QR1276.I25-050-T	1/4	0.50	17-4 PH	,248 5	,247 0	0.28 9	0.47	0.23	0.81	0.290	0.92	0.63	,2500/ ,2540	230	9200
QR1276.I25-075-T	1/4	0.75	17-4 PH	,248 5	,247 0	0.28 9	0.47	0.23	0.81	0.290	0.92	0.63	,2500/ ,2540	230	9200

# Quick Release Pins

# Quick Release Pins - Inch - B-handle

precipitation hardened stainless pin - stainless



QUICK RELEASE PINS

Order No.	d <sub>1</sub> nom.	l <sub>1</sub> grip +0.02 - -0.00	Material	d <sub>1</sub> max.	d <sub>1</sub> min.	d <sub>2</sub> ±0.0 05	d <sub>3</sub>	d <sub>4</sub>	d <sub>5</sub>	l <sub>2</sub> +0.000 - -0.030	l <sub>3</sub>	l <sub>4</sub>	Loc'n hole min.  max.	Pull out strength lb min.	Calc. double shear lb
QR1276.I25-100-T	1/4	1.00	17-4 PH	,248 5	,247 0	0.28 9	0.47	0.23	0.81	0.290	0.92	0.63	,2500/ ,2540	230	9200
QR1276.I25-125-T	1/4	1.25	17-4 PH	,248 5	,247 0	0.28 9	0.47	0.23	0.81	0.290	0.92	0.63	,2500/ ,2540	230	9200
QR1276.I25-150-T	1/4	1.50	17-4 PH	,248 5	,247 0	0.28 9	0.47	0.23	0.81	0.290	0.92	0.63	,2500/ ,2540	230	9200
QR1276.I25-175-T	1/4	1.75	17-4 PH	,248 5	,247 0	0.28 9	0.47	0.23	0.81	0.290	0.92	0.63	,2500/ ,2540	230	9200
QR1276.I25-200-T	1/4	2.00	17-4 PH	,248 5	,247 0	0.28 9	0.47	0.23	0.81	0.290	0.92	0.63	,2500/ ,2540	230	9200
QR1276.I25-250-T	1/4	2.50	17-4 PH	,248 5	,247 0	0.28 9	0.47	0.23	0.81	0.290	0.92	0.63	,2500/ ,2540	230	9200
QR1276.I25-300-T	1/4	3.00	17-4 PH	,248 5	,247 0	0.28 9	0.47	0.23	0.81	0.290	0.92	0.63	,2500/ ,2540	230	9200
QR1276.I25-350-T	1/4	3.50	17-4 PH	,248 5	,247 0	0.28 9	0.47	0.23	0.81	0.290	0.92	0.63	,2500/ ,2540	230	9200
QR1276.I25-400-T	1/4	4.00	17-4 PH	,248 5	,247 0	0.28 9	0.47	0.23	0.81	0.290	0.92	0.63	,2500/ ,2540	230	9200
QR1276.I31-050-T	5/16	0.50	17-4 PH	,311 0	,309 5	0.37 5	0.47	0.23	0.81	0.330	0.92	0.63	,3125/ ,3165	510	14400
QR1276.I31-075-T	5/16	0.75	17-4 PH	,311 0	,309 5	0.37 5	0.47	0.23	0.81	0.330	0.92	0.63	,3125/ ,3165	510	14400
QR1276.I31-100-T	5/16	1.00	17-4 PH	,311 0	,309 5	0.37 5	0.47	0.23	0.81	0.330	0.92	0.63	,3125/ ,3165	510	14400
QR1276.I31-125-T	5/16	1.25	17-4 PH	,311 0	,309 5	0.37 5	0.47	0.23	0.81	0.330	0.92	0.63	,3125/ ,3165	510	14400
QR1276.I31-150-T	5/16	1.50	17-4 PH	,311 0	,309 5	0.37 5	0.47	0.23	0.81	0.330	0.92	0.63	,3125/ ,3165	510	14400
QR1276.I31-175-T	5/16	1.75	17-4 PH	,311 0	,309 5	0.37 5	0.47	0.23	0.81	0.330	0.92	0.63	,3125/ ,3165	510	14400
QR1276.I31-200-T	5/16	2.00	17-4 PH	,311 0	,309 5	0.37 5	0.47	0.23	0.81	0.330	0.92	0.63	,3125/ ,3165	510	14400
QR1276.I31-250-T	5/16	2.50	17-4 PH	,311 0	,309 5	0.37 5	0.47	0.23	0.81	0.330	0.92	0.63	,3125/ ,3165	510	14400
QR1276.I31-300-T	5/16	3.00	17-4 PH	,311 0	,309 5	0.37 5	0.47	0.23	0.81	0.330	0.92	0.63	,3125/ ,3165	510	14400
QR1276.I31-350-T	5/16	3.50	17-4 PH	,311 0	,309 5	0.37 5	0.47	0.23	0.81	0.330	0.92	0.63	,3125/ ,3165	510	14400
QR1276.I31-400-T	5/16	4.00	17-4 PH	,311 0	,309 5	0.37 5	0.47	0.23	0.81	0.330	0.92	0.63	,3125/ ,3165	510	14400
QR1276.I37-050-T	3/8	0.50	17-4 PH	,373 5	,372 0	0.44 0	0.56	0.29	1.00	0.365	1.01	0.70	,3750/ ,3790	575	20600
QR1276.I37-075-T	3/8	0.75	17-4 PH	,373 5	,372 0	0.44 0	0.56	0.29	1.00	0.365	1.01	0.70	,3750/ ,3790	575	20600
QR1276.I37-100-T	3/8	1.00	17-4 PH	,373 5	,372 0	0.44 0	0.56	0.29	1.00	0.365	1.01	0.70	,3750/ ,3790	575	20600
QR1276.I37-125-T	3/8	1.25	17-4 PH	,373 5	,372 0	0.44 0	0.56	0.29	1.00	0.365	1.01	0.70	,3750/ ,3790	575	20600
QR1276.I37-150-T	3/8	1.50	17-4 PH	,373 5	,372 0	0.44 0	0.56	0.29	1.00	0.365	1.01	0.70	,3750/ ,3790	575	20600
QR1276.I37-175-T	3/8	1.75	17-4 PH	,373 5	,372 0	0.44 0	0.56	0.29	1.00	0.365	1.01	0.70	,3750/ ,3790	575	20600
QR1276.I37-200-T	3/8	2.00	17-4 PH	,373 5	,372 0	0.44 0	0.56	0.29	1.00	0.365	1.01	0.70	,3750/ ,3790	575	20600
QR1276.I37-250-T	3/8	2.50	17-4 PH	,373 5	,372 0	0.44 0	0.56	0.29	1.00	0.365	1.01	0.70	,3750/ ,3790	575	20600
QR1276.I37-300-T	3/8	3.00	17-4 PH	,373 5	,372 0	0.44 0	0.56	0.29	1.00	0.365	1.01	0.70	,3750/ ,3790	575	20600
QR1276.I37-350-T	3/8	3.50	17-4 PH	,373 5	,372 0	0.44 0	0.56	0.29	1.00	0.365	1.01	0.70	,3750/ ,3790	575	20600
QR1276.I37-400-T	3/8	4.00	17-4 PH	,373 5	,372 0	0.44 0	0.56	0.29	1.00	0.365	1.01	0.70	,3750/ ,3790	575	20600
QR1276.I50-100-T	1/2	1.00	17-4 PH	,498 5	,497 0	0.59 4	0.72	0.42	1.37	0.460	1.27	0.85	,5000/ ,5050	1160	36800
QR1276.I50-125-T	1/2	1.25	17-4 PH	,498 5	,497 0	0.59 4	0.72	0.42	1.37	0.460	1.27	0.85	,5000/ ,5050	1160	36800



# Quick Release Pins - Inch - B-handle

precipitation hardened stainless pin - stainless

## Quick Release Pins

Order No.	d <sub>1</sub> nom.	l <sub>1</sub> grip +0.02 - -0.00	Material	d <sub>1</sub> max.	d <sub>1</sub> min.	d <sub>2</sub> ±0.0 05	d <sub>3</sub>	d <sub>4</sub>	d <sub>5</sub>	l <sub>2</sub> +0.000 - -0.030	l <sub>3</sub>	l <sub>4</sub>	Loc'n hole min.  max.	Pull out strength lb min.	Calc. double shear lb
QR1276.I50-150-T	1/2	1.50	17-4 PH	,498 5	,497 0	0.59 4	0.72	0.42	1.37	0.460	1.27	0.85	,5000/ ,5050	1160	36800
QR1276.I50-175-T	1/2	1.75	17-4 PH	,498 5	,497 0	0.59 4	0.72	0.42	1.37	0.460	1.27	0.85	,5000/ ,5050	1160	36800
QR1276.I50-200-T	1/2	2.00	17-4 PH	,498 5	,497 0	0.59 4	0.72	0.42	1.37	0.460	1.27	0.85	,5000/ ,5050	1160	36800
QR1276.I50-250-T	1/2	2.50	17-4 PH	,498 5	,497 0	0.59 4	0.72	0.42	1.37	0.460	1.27	0.85	,5000/ ,5050	1160	36800
QR1276.I50-300-T	1/2	3.00	17-4 PH	,498 5	,497 0	0.59 4	0.72	0.42	1.37	0.460	1.27	0.85	,5000/ ,5050	1160	36800
QR1276.I50-350-T	1/2	3.50	17-4 PH	,498 5	,497 0	0.59 4	0.72	0.42	1.37	0.460	1.27	0.85	,5000/ ,5050	1160	36800
QR1276.I50-400-T	1/2	4.00	17-4 PH	,498 5	,497 0	0.59 4	0.72	0.42	1.37	0.460	1.27	0.85	,5000/ ,5050	1160	36800
QR1276.I50-450-T	1/2	4.50	17-4 PH	,498 5	,497 0	0.59 4	0.72	0.42	1.37	0.460	1.27	0.85	,5000/ ,5050	1160	36800
QR1276.I50-500-T	1/2	5.00	17-4 PH	,498 5	,497 0	0.59 4	0.72	0.42	1.37	0.460	1.27	0.85	,5000/ ,5050	1160	36800
QR1276.I50-550-T	1/2	5.50	17-4 PH	,498 5	,497 0	0.59 4	0.72	0.42	1.37	0.460	1.27	0.85	,5000/ ,5050	1160	36800
QR1276.I50-600-T	1/2	6.00	17-4 PH	,498 5	,497 0	0.59 4	0.72	0.42	1.37	0.460	1.27	0.85	,5000/ ,5050	1160	36800

QUICK RELEASE PINS