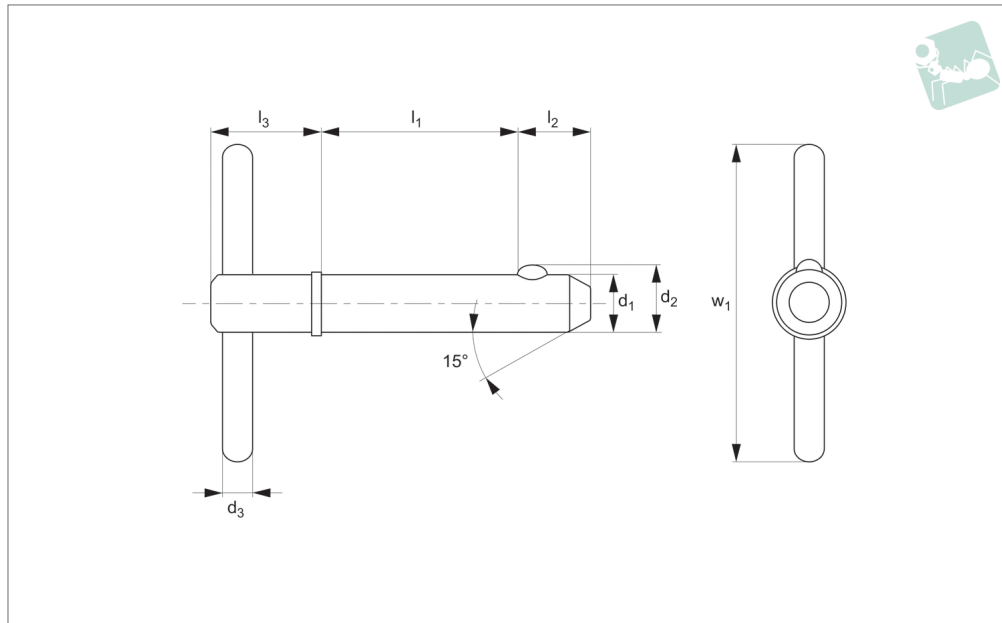




# Detent Pin - T Handle - Shoulder steel

## Pull Pins



**PP1214**

PULL PINS

### Material

Shaft: Carbon steel (C1144), zinc plated.  
Ball & spring: Stainless steel AISI 316.

### Technical Notes

Detent pins are very economical for use in commercial and military equipment. The solid body with direct spring loaded

ball ensures reliable operation.

Can be used for locking telescopic tubing, securing bracket assemblies, as anchor clevis fittings, hinge pins and as replacement for cotter pins where frequent removal is necessary.

Hole sizes - commercial drills provide clear-

ance for our standard pins.

Inch dimensions in brackets ( ).

### Tips

Also available in stainless steel see part no. P.

Order No.	d <sub>1</sub> +0.00 -0.08	l <sub>1</sub> grip +1.50 -0.00	d <sub>2</sub>	d <sub>3</sub>	l <sub>2</sub>	l <sub>3</sub>	Pull out strength kg	w <sub>1</sub>	Single shear strength kN min.
PP1214.018-030-C	4,76 (3/16")	7,62 (0,3")	5.18	2.38	5.08	17.45	1, 9 - 2, 3	25.4	10.8
PP1214.018-050-C	4,76 (3/16")	12,7 (0,5")	5.18	2.38	5.08	17.45	1, 9 - 2, 3	25.4	10.8
PP1214.018-100-C	4,76 (3/16")	25,4 (1")	5.18	2.38	5.08	17.45	1, 9 - 2, 3	25.4	10.8
PP1214.018-150-C	4,76 (3/16")	38,1 (1,5")	5.18	2.38	5.08	17.45	1, 9 - 2, 3	25.4	10.8
PP1214.018-200-C	4,76 (3/16")	50,8 (2")	5.18	2.38	5.08	17.45	1, 9 - 2, 3	25.4	10.8
PP1214.018-250-C	4,76 (3/16")	63,5 (2,5")	5.18	2.38	5.08	17.45	1, 9 - 2, 3	25.4	10.8
PP1214.018-300-C	4,76 (3/16")	76,2 (3")	5.18	2.38	5.08	17.45	1, 9 - 2, 3	25.4	10.8
PP1214.018-350-C	4,76 (3/16")	88,9 (3,5")	5.18	2.38	5.08	17.45	1, 9 - 2, 3	25.4	10.8
PP1214.018-400-C	4,76 (3/16")	101,6 (4")	5.18	2.38	5.08	17.45	1, 9 - 2, 3	25.4	10.8
PP1214.025-050-C	6,35 (1/4")	12,7 (0,5")	7.26	3.17	7.92	18.29	2,27 - 2,73	25.4	19.3
PP1214.025-060-C	6,35 (1/4")	15,24 (0,6")	7.26	3.17	7.92	18.29	2,27 - 2,73	25.4	19.3
PP1214.025-100-C	6,35 (1/4")	25,4 (1")	7.26	3.17	7.92	18.29	2,27 - 2,73	25.4	19.3
PP1214.025-150-C	6,35 (1/4")	38,1 (1,5")	7.26	3.17	7.92	18.29	2,27 - 2,73	25.4	19.3
PP1214.025-200-C	6,35 (1/4")	50,8 (2")	7.26	3.17	7.92	18.29	2,27 - 2,73	25.4	19.3
PP1214.025-250-C	6,35 (1/4")	63,5 (2,5")	7.26	3.17	7.92	18.29	2,27 - 2,73	25.4	19.3
PP1214.025-300-C	6,35 (1/4")	76,2 (3")	7.26	3.17	7.92	18.29	2,27 - 2,73	25.4	19.3
PP1214.025-350-C	6,35 (1/4")	88,9 (3,5")	7.26	3.17	7.92	18.29	2,27 - 2,73	25.4	19.3
PP1214.025-400-C	6,35 (1/4")	101,6 (4")	7.26	3.17	7.92	18.29	2,27 - 2,73	25.4	19.3
PP1214.031-050-C	7,94 (5/16")	12,7 (0,5")	9.09	3.96	9.53	19.05	2,27 - 2,73	25.4	30.0
PP1214.031-100-C	7,94 (5/16")	25,4 (1")	9.09	3.96	9.53	19.05	2,27 - 2,73	25.4	30.0
PP1214.031-150-C	7,94 (5/16")	38,1 (1,5")	9.09	3.96	9.53	19.05	2,27 - 2,73	25.4	30.0
PP1214.031-200-C	7,94 (5/16")	50,8 (2")	9.09	3.96	9.53	19.05	2,27 - 2,73	25.4	30.0
PP1214.031-250-C	7,94 (5/16")	63,5 (2,5")	9.09	3.96	9.53	19.05	2,27 - 2,73	25.4	30.0
PP1214.031-300-C	7,94 (5/16")	76,2 (3")	9.09	3.96	9.53	19.05	2,27 - 2,73	25.4	30.0
PP1214.031-350-C	7,94 (5/16")	88,9 (3,5")	9.09	3.96	9.53	19.05	2,27 - 2,73	25.4	30.0
PP1214.031-400-C	7,94 (5/16")	101,6 (4")	9.09	3.96	9.53	19.05	2,27 - 2,73	25.4	30.0
PP1214.031-450-C	7,94 (5/16")	114,3 (4,5")	9.09	3.96	9.53	19.05	2,27 - 2,73	25.4	30.0
PP1214.031-500-C	7,94 (5/16")	127 (5")	9.09	3.96	9.53	19.05	2,27 - 2,73	25.4	30.0
PP1214.037-050-C	9,53 (3,8")	12,7 (0,5")	10.82	3.96	12.7	19.05	3,63 - 4,54	25.4	43.3



Order No.	d <sub>1</sub> +0.00 -0.08	l <sub>1</sub> grip +1.50 -0.00	d <sub>2</sub>	d <sub>3</sub>	l <sub>2</sub>	l <sub>3</sub>	Pull out strength kg	w <sub>1</sub>	Single shear strength kN min.
PP1214.037-060-C	9,53 (3,8")	15,24 (0,6")	10,82	3,96	12,7	19,05	3,63 - 4,54	25,4	43,3
PP1214.037-100-C	9,53 (3,8")	25,4 (1")	10,82	3,96	12,7	19,05	3,63 - 4,54	25,4	43,3
PP1214.037-150-C	9,53 (3,8")	38,1 (1,5")	10,82	3,96	12,7	19,05	3,63 - 4,54	25,4	43,3
PP1214.037-180-C	9,53 (3,8")	45,72 (1,8")	10,82	3,96	12,7	19,05	3,63 - 4,54	25,4	43,3
PP1214.037-200-C	9,53 (3,8")	50,8 (2")	10,82	3,96	12,7	19,05	3,63 - 4,54	25,4	43,3
PP1214.037-250-C	9,53 (3,8")	63,5 (2,5")	10,82	3,96	12,7	19,05	3,63 - 4,54	25,4	43,3
PP1214.037-300-C	9,53 (3,8")	76,2 (3")	10,82	3,96	12,7	19,05	3,63 - 4,54	25,4	43,3
PP1214.037-350-C	9,53 (3,8")	88,9 (3,5")	10,82	3,96	12,7	19,05	3,63 - 4,54	25,4	43,3
PP1214.037-400-C	9,53 (3,8")	101,6 (4")	10,82	3,96	12,7	19,05	3,63 - 4,54	25,4	43,3
PP1214.037-450-C	9,53 (3,8")	114,3 (4,5")	10,82	3,96	12,7	19,05	3,63 - 4,54	25,4	43,3
PP1214.037-500-C	9,53 (3,8")	127 (5")	10,82	3,96	12,7	19,05	3,63 - 4,54	25,4	43,3
PP1214.037-550-C	9,53 (3,8")	139,7 (5,5")	10,82	3,96	12,7	19,05	3,63 - 4,54	25,4	43,3
PP1214.037-600-C	9,53 (3,8")	152,4 (6")	10,82	3,96	12,7	19,05	3,63 - 4,54	25,4	43,3
PP1214.043-050-C	11,11(7/16")	12,7 (0,5")	12,6	3,96	14,27	24,13	4,09 - 5,45	25,4	58,9
PP1214.043-100-C	11,11(7/16")	25,4 (1")	12,6	3,96	14,27	24,13	4,09 - 5,45	25,4	58,9
PP1214.043-150-C	11,11(7/16")	38,1 (1,5")	12,6	3,96	14,27	24,13	4,09 - 5,45	25,4	58,9
PP1214.043-200-C	11,11(7/16")	50,8 (2")	12,6	3,96	14,27	24,13	4,09 - 5,45	25,4	58,9
PP1214.043-250-C	11,11(7/16")	63,5 (2,5")	12,6	3,96	14,27	24,13	4,09 - 5,45	25,4	58,9
PP1214.043-300-C	11,11(7/16")	76,2 (3")	12,6	3,96	14,27	24,13	4,09 - 5,45	25,4	58,9
PP1214.043-350-C	11,11(7/16")	88,9 (3,5")	12,6	3,96	14,27	24,13	4,09 - 5,45	25,4	58,9
PP1214.043-400-C	11,11(7/16")	101,6 (4")	12,6	3,96	14,27	24,13	4,09 - 5,45	25,4	58,9
PP1214.043-450-C	11,11(7/16")	114,3 (4,5")	12,6	3,96	14,27	24,13	4,09 - 5,45	25,4	58,9
PP1214.043-500-C	11,11(7/16")	127 (5")	12,6	3,96	14,27	24,13	4,09 - 5,45	25,4	58,9
PP1214.043-550-C	11,11(7/16")	139,7 (5,5")	12,6	3,96	14,27	24,13	4,09 - 5,45	25,4	58,9
PP1214.043-600-C	11,11(7/16")	152,4 (6")	12,6	3,96	14,27	24,13	4,09 - 5,45	25,4	58,9
PP1214.050-050-C	12,7 (1/2")	12,7 (0,5")	14,48	4,76	15,88	25,7	4,54 - 5,45	31,75	77,0
PP1214.050-100-C	12,7 (1/2")	25,4 (1")	14,48	4,76	15,88	25,7	4,54 - 5,45	31,75	77,0
PP1214.050-130-C	12,7 (1/2")	33,02 (1,3")	14,48	4,76	15,88	25,7	4,54 - 5,45	31,75	77,0
PP1214.050-150-C	12,7 (1/2")	38,1 (1,5")	14,48	4,76	15,88	25,7	4,54 - 5,45	31,75	77,0
PP1214.050-200-C	12,7 (1/2")	50,8 (2")	14,48	4,76	15,88	25,7	4,54 - 5,45	31,75	77,0
PP1214.050-250-C	12,7 (1/2")	63,5 (2,5")	14,48	4,76	15,88	25,7	4,54 - 5,45	31,75	77,0
PP1214.050-350-C	12,7 (1/2")	88,9 (3,5")	14,48	4,76	15,88	25,7	4,54 - 5,45	31,75	77,0
PP1214.050-400-C	12,7 (1/2")	101,6 (4")	14,48	4,76	15,88	25,7	4,54 - 5,45	31,75	77,0
PP1214.050-450-C	12,7 (1/2")	114,3 (4,5")	14,48	4,76	15,88	25,7	4,54 - 5,45	31,75	77,0
PP1214.050-500-C	12,7 (1/2")	127 (5")	14,48	4,76	15,88	25,7	4,54 - 5,45	31,75	77,0
PP1214.050-550-C	12,7 (1/2")	139,7 (5,5")	14,48	4,76	15,88	25,7	4,54 - 5,45	31,75	77,0
PP1214.050-600-C	12,7 (1/2")	152,4 (6")	14,48	4,76	15,88	25,7	4,54 - 5,45	31,75	77,0
PP1214.050-650-C	12,7 (1/2")	165,1 (6,5")	14,48	4,76	15,88	25,7	4,54 - 5,45	31,75	77,0
PP1214.050-700-C	12,7 (1/2")	177,8 (7")	14,48	4,76	15,88	25,7	4,54 - 5,45	31,75	77,0
PP1214.056-100-C	14,29 (9/16")	25,4 (1")	16,31	4,76	17,45	25,7	5,45 - 6,81	31,75	97,6
PP1214.056-150-C	14,29 (9/16")	38,1 (1,5")	16,31	4,76	17,45	25,7	5,45 - 6,81	31,75	97,6
PP1214.056-200-C	14,29 (9/16")	50,8 (2")	16,31	4,76	17,45	25,7	5,45 - 6,81	31,75	97,6
PP1214.056-250-C	14,29 (9/16")	63,5 (2,5")	16,31	4,76	17,45	25,7	5,45 - 6,81	31,75	97,6
PP1214.056-300-C	14,29 (9/16")	76,2 (3")	16,31	4,76	17,45	25,7	5,45 - 6,81	31,75	97,6
PP1214.056-350-C	14,29 (9/16")	88,9 (3,5")	16,31	4,76	17,45	25,7	5,45 - 6,81	31,75	97,6
PP1214.056-400-C	14,29 (9/16")	101,6 (4")	16,31	4,76	17,45	25,7	5,45 - 6,81	31,75	97,6
PP1214.056-450-C	14,29 (9/16")	114,3 (4,5")	16,31	4,76	17,45	25,7	5,45 - 6,81	31,75	97,6
PP1214.056-500-C	14,29 (9/16")	127 (5")	16,31	4,76	17,45	25,7	5,45 - 6,81	31,75	97,6
PP1214.056-550-C	14,29 (9/16")	139,7 (5,5")	16,31	4,76	17,45	25,7	5,45 - 6,81	31,75	97,6
PP1214.056-600-C	14,29 (9/16")	152,4 (6")	16,31	4,76	17,45	25,7	5,45 - 6,81	31,75	97,6
PP1214.056-700-C	14,29 (9/16")	177,8 (7")	16,31	4,76	17,45	25,7	5,45 - 6,81	31,75	97,6
PP1214.062-100-C	15,88 (5/8")	25,4 (1")	18,03	6,35	19,05	27,31	6,36 - 7,26	31,75	121,6
PP1214.062-150-C	15,88 (5/8")	38,1 (1,5")	18,03	6,35	19,05	27,31	6,36 - 7,26	31,75	121,6
PP1214.062-200-C	15,88 (5/8")	50,8 (2")	18,03	6,35	19,05	27,31	6,36 - 7,26	31,75	121,6
PP1214.062-250-C	15,88 (5/8")	63,5 (2,5")	18,03	6,35	19,05	27,31	6,36 - 7,26	31,75	121,6
PP1214.062-300-C	15,88 (5/8")	76,2 (3")	18,03	6,35	19,05	27,31	6,36 - 7,26	31,75	121,6
PP1214.062-350-C	15,88 (5/8")	88,9 (3,5")	18,03	6,35	19,05	27,31	6,36 - 7,26	31,75	121,6
PP1214.062-400-C	15,88 (5/8")	101,6 (4")	18,03	6,35	19,05	27,31	6,36 - 7,26	31,75	121,6
PP1214.062-450-C	15,88 (5/8")	114,3 (4,5")	18,03	6,35	19,05	27,31	6,36 - 7,26	31,75	121,6
PP1214.062-500-C	15,88 (5/8")	127 (5")	18,03	6,35	19,05	27,31	6,36 - 7,26	31,75	121,6
PP1214.062-550-C	15,88 (5/8")	139,7 (5,5")	18,03	6,35	19,05	27,31	6,36 - 7,26	31,75	121,6
PP1214.062-600-C	15,88 (5/8")	152,4 (6")	18,03	6,35	19,05	27,31	6,36 - 7,26	31,75	121,6
PP1214.062-700-C	15,88 (5/8")	177,8 (7")	18,03	6,35	19,05	27,31	6,36 - 7,26	31,75	121,6
PP1214.062-800-C	15,88 (5/8")	203,2 (8")	18,03	6,35	19,05	27,31	6,36 - 7,26	31,75	121,6
PP1214.075-100-C	19,05 (3/4")	25,4 (1")	21,74	6,35	23,8	34,93	8,17 - 9,98	38,1	173,6
PP1214.075-150-C	19,05 (3/4")	38,1 (1,5")	21,74	6,35	23,8	34,93	8,17 - 9,98	38,1	173,6
PP1214.075-200-C	19,05 (3/4")	50,8 (2")	21,74	6,35	23,8	34,93	8,17 - 9,98	38,1	173,6



# Detent Pin - T Handle - Shoulder steel

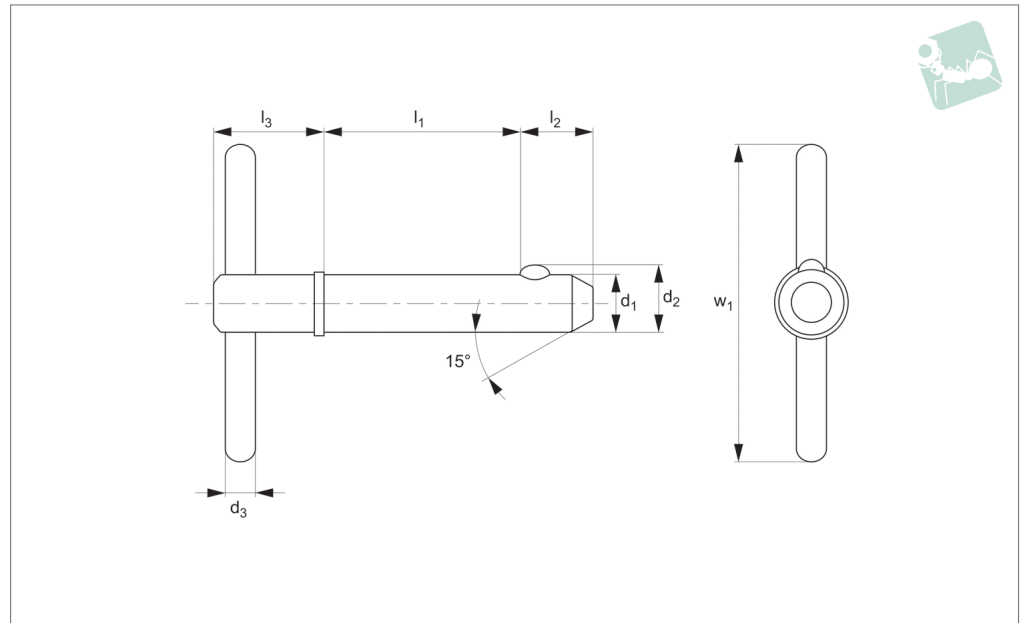
## Pull Pins

Order No.	d <sub>1</sub> +0.00 -0.08	l <sub>1</sub> grip +1.50 -0.00	d <sub>2</sub>	d <sub>3</sub>	l <sub>2</sub>	l <sub>3</sub>	Pull out strength kg	w <sub>1</sub>	Single shear strength kN min.
PP1214.075-250-C	19,05 (3/4")	63,5 (2,5")	21.74	6.35	23.8	34.93	8,17 - 9,98	38.1	173.6
PP1214.075-300-C	19,05 (3/4")	76,2 (3")	21.74	6.35	23.8	34.93	8,17 - 9,98	38.1	173.6
PP1214.075-350-C	19,05 (3/4")	88,9 (3,5")	21.74	6.35	23.8	34.93	8,17 - 9,98	38.1	173.6
PP1214.075-400-C	19,05 (3/4")	101,6 (4")	21.74	6.35	23.8	34.93	8,17 - 9,98	38.1	173.6
PP1214.075-450-C	19,05 (3/4")	114,3 (4,5")	21.74	6.35	23.8	34.93	8,17 - 9,98	38.1	173.6
PP1214.075-500-C	19,05 (3/4")	127 (5")	21.74	6.35	23.8	34.93	8,17 - 9,98	38.1	173.6
PP1214.075-550-C	19,05 (3/4")	139,7 (5,5")	21.74	6.35	23.8	34.93	8,17 - 9,98	38.1	173.6
PP1214.075-600-C	19,05 (3/4")	152,4 (6")	21.74	6.35	23.8	34.93	8,17 - 9,98	38.1	173.6
PP1214.075-700-C	19,05 (3/4")	177,8 (7")	21.74	6.35	23.8	34.93	8,17 - 9,98	38.1	173.6
PP1214.075-800-C	19,05 (3/4")	203,2 (8")	21.74	6.35	23.8	34.93	8,17 - 9,98	38.1	173.6
PP1214.088-100-C	22,23 (7/8")	25,4 (1")	25.3	9.52	25.4	38.1	12,71 - 14,07	38.1	239.4
PP1214.088-150-C	22,23 (7/8")	38,1 (1,5")	25.3	9.52	25.4	38.1	12,71 - 14,07	38.1	239.4
PP1214.088-200-C	22,23 (7/8")	50,8 (2")	25.3	9.52	25.4	38.1	12,71 - 14,07	38.1	239.4
PP1214.088-250-C	22,23 (7/8")	63,5 (2,5")	25.3	9.52	25.4	38.1	12,71 - 14,07	38.1	239.4
PP1214.088-300-C	22,23 (7/8")	76,2 (3")	25.3	9.52	25.4	38.1	12,71 - 14,07	38.1	239.4
PP1214.088-350-C	22,23 (7/8")	88,9 (3,5")	25.3	9.52	25.4	38.1	12,71 - 14,07	38.1	239.4
PP1214.088-400-C	22,23 (7/8")	101,6 (4")	25.3	9.52	25.4	38.1	12,71 - 14,07	38.1	239.4
PP1214.088-450-C	22,23 (7/8")	114,3 (4,5")	25.3	9.52	25.4	38.1	12,71 - 14,07	38.1	239.4
PP1214.088-500-C	22,23 (7/8")	127 (5")	25.3	9.52	25.4	38.1	12,71 - 14,07	38.1	239.4
PP1214.088-550-C	22,23 (7/8")	139,7 (5,5")	25.3	9.52	25.4	38.1	12,71 - 14,07	38.1	239.4
PP1214.088-600-C	22,23 (7/8")	152,4 (6")	25.3	9.52	25.4	38.1	12,71 - 14,07	38.1	239.4
PP1214.088-650-C	22,23 (7/8")	165,1 (6,5")	25.3	9.52	25.4	38.1	12,71 - 14,07	38.1	239.4
PP1214.088-700-C	22,23 (7/8")	177,8 (7")	25.3	9.52	25.4	38.1	12,71 - 14,07	38.1	239.4
PP1214.088-800-C	22,23 (7/8")	203,2 (8")	25.3	9.52	25.4	38.1	12,71 - 14,07	38.1	239.4
PP1214.100-100-C	25,4 (1")	25,4 (1")	28.96	9.52	31.75	38.1	15,88 - 18,15	38.1	312.3
PP1214.100-150-C	25,4 (1")	38,1 (1,5")	28.96	9.52	31.75	38.1	15,88 - 18,15	38.1	312.3
PP1214.100-200-C	25,4 (1")	50,8 (2")	28.96	9.52	31.75	38.1	15,88 - 18,15	38.1	312.3
PP1214.100-250-C	25,4 (1")	63,5 (2,5")	28.96	9.52	31.75	38.1	15,88 - 18,15	38.1	312.3
PP1214.100-300-C	25,4 (1")	76,2 (3")	28.96	9.52	31.75	38.1	15,88 - 18,15	38.1	312.3
PP1214.100-350-C	25,4 (1")	88,9 (3,5")	28.96	9.52	31.75	38.1	15,88 - 18,15	38.1	312.3
PP1214.100-400-C	25,4 (1")	101,6 (4")	28.96	9.52	31.75	38.1	15,88 - 18,15	38.1	312.3
PP1214.100-450-C	25,4 (1")	114,3 (4,5")	28.96	9.52	31.75	38.1	15,88 - 18,15	38.1	312.3
PP1214.100-500-C	25,4 (1")	127 (5")	28.96	9.52	31.75	38.1	15,88 - 18,15	38.1	312.3
PP1214.100-550-C	25,4 (1")	139,7 (5,5")	28.96	9.52	31.75	38.1	15,88 - 18,15	38.1	312.3
PP1214.100-600-C	25,4 (1")	152,4 (6")	28.96	9.52	31.75	38.1	15,88 - 18,15	38.1	312.3
PP1214.100-700-C	25,4 (1")	177,8 (7")	28.96	9.52	31.75	38.1	15,88 - 18,15	38.1	312.3
PP1214.100-800-C	25,4 (1")	203,2 (8")	28.96	9.52	31.75	38.1	15,88 - 18,15	38.1	312.3

PULL PINS



## PP1216



### Material

Shaft: Stainless steel, AISI 303.

Ball & Spring: Stainless steel, AISI 316.

### Technical Notes

Detent pins are very economical for use in commercial and military equipment.

The solid body with direct spring loaded ball ensures reliable operation.

For locking telescopic tubing, securing bracket assemblies, as anchor clevis fittings, hinge pins etc where frequent removal is necessary.

Hole sizes - commercial drills provide clearance for our standard pins.

Inch dimensions in brackets ( ).

### Tips

Also available on request in A4 (AISI 316) stainless steel, subject to min. quantity.

Order No.	$d_1$ +0.00 -0.08	$l_1$ grip +1.50 -0.00	$d_2$	$d_3$	$l_2$	$l_3$	Pull out strength kg	$w_1$	Single shear strength kN min.
PP1216.018-030-S	4,76 (3/16")	7,62 (0,3")	5.18	2.38	5.08	17.45	1,9 - 2,3	25.4	12.2
PP1216.018-050-S	4,76 (3/16")	12,7 (0,5")	5.18	2.38	5.08	17.45	1,9 - 2,3	25.4	12.2
PP1216.018-100-S	4,76 (3/16")	25,4 (1")	5.18	2.38	5.08	17.45	1,9 - 2,3	25.4	12.2
PP1216.018-150-S	4,76 (3/16")	38,1 (1,5")	5.18	2.38	5.08	17.45	1,9 - 2,3	25.4	12.2
PP1216.018-200-S	4,76 (3/16")	50,8 (2")	5.18	2.38	5.08	17.45	1,9 - 2,3	25.4	12.2
PP1216.018-250-S	4,76 (3/16")	63,5 (2,5")	5.18	2.38	5.08	17.45	1,9 - 2,3	25.4	12.2
PP1216.018-300-S	4,76 (3/16")	76,2 (3")	5.18	2.38	5.08	17.45	1,9 - 2,3	25.4	12.2
PP1216.018-350-S	4,76 (3/16")	88,9 (3,5")	5.18	2.38	5.08	17.45	1,9 - 2,3	25.4	12.2
PP1216.018-400-S	4,76 (3/16")	101,6 (4")	5.18	2.38	5.08	17.45	1,9 - 2,3	25.4	12.2
PP1216.025-050-S	6,35 (1/4")	12,7 (0,5")	7.26	3.17	7.92	18.29	2,27 - 2,73	25.4	21.7
PP1216.025-060-S	6,35 (1/4")	15,24 (0,6")	7.26	3.17	7.92	18.29	2,27 - 2,73	25.4	21.7
PP1216.025-100-S	6,35 (1/4")	25,4 (1")	7.26	3.17	7.92	18.29	2,27 - 2,73	25.4	21.7
PP1216.025-150-S	6,35 (1/4")	38,1 (1,5")	7.26	3.17	7.92	18.29	2,27 - 2,73	25.4	21.7
PP1216.025-200-S	6,35 (1/4")	50,8 (2")	7.26	3.17	7.92	18.29	2,27 - 2,73	25.4	21.7
PP1216.025-250-S	6,35 (1/4")	63,5 (2,5")	7.26	3.17	7.92	18.29	2,27 - 2,73	25.4	21.7
PP1216.025-300-S	6,35 (1/4")	76,2 (3")	7.26	3.17	7.92	18.29	2,27 - 2,73	25.4	21.7
PP1216.025-350-S	6,35 (1/4")	88,9 (3,5")	7.26	3.17	7.92	18.29	2,27 - 2,73	25.4	21.7
PP1216.025-400-S	6,35 (1/4")	101,6 (4")	7.26	3.17	7.92	18.29	2,27 - 2,73	25.4	21.7
PP1216.031-050-S	7,94 (5/16")	12,7 (0,5")	9.09	3.96	9.53	19.05	2,27 - 2,73	25.4	33.8
PP1216.031-100-S	7,94 (5/16")	25,4 (1")	9.09	3.96	9.53	19.05	2,27 - 2,73	25.4	33.8
PP1216.031-150-S	7,94 (5/16")	38,1 (1,5")	9.09	3.96	9.53	19.05	2,27 - 2,73	25.4	33.8
PP1216.031-200-S	7,94 (5/16")	50,8 (2")	9.09	3.96	9.53	19.05	2,27 - 2,73	25.4	33.8
PP1216.031-250-S	7,94 (5/16")	63,5 (2,5")	9.09	3.96	9.53	19.05	2,27 - 2,73	25.4	33.8
PP1216.031-300-S	7,94 (5/16")	76,2 (3")	9.09	3.96	9.53	19.05	2,27 - 2,73	25.4	33.8
PP1216.031-350-S	7,94 (5/16")	88,9 (3,5")	9.09	3.96	9.53	19.05	2,27 - 2,73	25.4	33.8
PP1216.031-400-S	7,94 (5/16")	101,6 (4")	9.09	3.96	9.53	19.05	2,27 - 2,73	25.4	33.8
PP1216.031-450-S	7,94 (5/16")	114,3 (4,5")	9.09	3.96	9.53	19.05	2,27 - 2,73	25.4	33.8
PP1216.031-500-S	7,94 (5/16")	127 (5")	9.09	3.96	9.53	19.05	2,27 - 2,73	25.4	33.8
PP1216.037-050-S	9,53 (3,8")	12,7 (0,5")	10.82	3.96	12.7	19.05	3,63 - 4,54	25.4	49.1
PP1216.037-060-S	9,53 (3,8")	15,24 (0,6")	10.82	3.96	12.7	19.05	3,63 - 4,54	25.4	49.1



# Detent Pin - T Handle - Shoulder

stainless steel

## Pull Pins

Order No.	d <sub>1</sub> +0.00 -0.08	l <sub>1</sub> grip +1.50 -0.00	d <sub>2</sub>	d <sub>3</sub>	l <sub>2</sub>	l <sub>3</sub>	Pull out strength kg	w <sub>1</sub>	Single shear strength kN min.
PP1216.037-100-S	9,53 (3,8")	25,4 (1")	10.82	3.96	12.7	19.05	3,63 - 4,54	25.4	49.1
PP1216.037-150-S	9,53 (3,8")	38,1 (1,5")	10.82	3.96	12.7	19.05	3,63 - 4,54	25.4	49.1
PP1216.037-180-S	9,53 (3,8")	45,72 (1,8")	10.82	3.96	12.7	19.05	3,63 - 4,54	25.4	49.1
PP1216.037-200-S	9,53 (3,8")	50,8 (2")	10.82	3.96	12.7	19.05	3,63 - 4,54	25.4	49.1
PP1216.037-250-S	9,53 (3,8")	63,5 (2,5")	10.82	3.96	12.7	19.05	3,63 - 4,54	25.4	49.1
PP1216.037-300-S	9,53 (3,8")	76,2 (3")	10.82	3.96	12.7	19.05	3,63 - 4,54	25.4	49.1
PP1216.037-350-S	9,53 (3,8")	88,9 (3,5")	10.82	3.96	12.7	19.05	3,63 - 4,54	25.4	49.1
PP1216.037-400-S	9,53 (3,8")	101,6 (4")	10.82	3.96	12.7	19.05	3,63 - 4,54	25.4	49.1
PP1216.037-450-S	9,53 (3,8")	114,3 (4,5")	10.82	3.96	12.7	19.05	3,63 - 4,54	25.4	49.1
PP1216.037-500-S	9,53 (3,8")	127 (5")	10.82	3.96	12.7	19.05	3,63 - 4,54	25.4	49.1
PP1216.037-550-S	9,53 (3,8")	139,7 (5,5")	10.82	3.96	12.7	19.05	3,63 - 4,54	25.4	49.1
PP1216.037-600-S	9,53 (3,8")	152,4 (6")	10.82	3.96	12.7	19.05	3,63 - 4,54	25.4	49.1
PP1216.043-050-S	11,11(7,16")	12,7 (0,5")	12.6	3.96	14.27	24.13	4,09 - 5,45	25.4	66.5
PP1216.043-100-S	11,11(7,16")	25,4 (1")	12.6	3.96	14.27	24.13	4,09 - 5,45	25.4	66.5
PP1216.043-150-S	11,11(7,16")	38,1 (1,5")	12.6	3.96	14.27	24.13	4,09 - 5,45	25.4	66.5
PP1216.043-200-S	11,11(7,16")	50,8 (2")	12.6	3.96	14.27	24.13	4,09 - 5,45	25.4	66.5
PP1216.043-250-S	11,11(7,16")	63,5 (2,5")	12.6	3.96	14.27	24.13	4,09 - 5,45	25.4	66.5
PP1216.043-300-S	11,11(7,16")	76,2 (3")	12.6	3.96	14.27	24.13	4,09 - 5,45	25.4	66.5
PP1216.043-350-S	11,11(7,16")	88,9 (3,5")	12.6	3.96	14.27	24.13	4,09 - 5,45	25.4	66.5
PP1216.043-400-S	11,11(7,16")	101,6 (4")	12.6	3.96	14.27	24.13	4,09 - 5,45	25.4	66.5
PP1216.043-450-S	11,11(7,16")	114,3 (4,5")	12.6	3.96	14.27	24.13	4,09 - 5,45	25.4	66.5
PP1216.043-500-S	11,11(7,16")	127 (5")	12.6	3.96	14.27	24.13	4,09 - 5,45	25.4	66.5
PP1216.043-550-S	11,11(7,16")	139,7 (5,5")	12.6	3.96	14.27	24.13	4,09 - 5,45	25.4	66.5
PP1216.043-600-S	11,11(7,16")	152,4 (6")	12.6	3.96	14.27	24.13	4,09 - 5,45	25.4	66.5
PP1216.050-050-S	12,7 (1/2")	12,7 (0,5")	14.48	4.76	15.88	25.7	4,54 - 5,45	31.75	87.1
PP1216.050-100-S	12,7 (1/2")	25,4 (1")	14.48	4.76	15.88	25.7	4,54 - 5,45	31.75	87.1
PP1216.050-130-S	12,7 (1/2")	33,02 (1,3")	14.48	4.76	15.88	25.7	4,54 - 5,45	31.75	87.1
PP1216.050-150-S	12,7 (1/2")	38,1 (1,5")	14.48	4.76	15.88	25.7	4,54 - 5,45	31.75	87.1
PP1216.050-200-S	12,7 (1/2")	50,8 (2")	14.48	4.76	15.88	25.7	4,54 - 5,45	31.75	87.1
PP1216.050-250-S	12,7 (1/2")	63,5 (2,5")	14.48	4.76	15.88	25.7	4,54 - 5,45	31.75	87.1
PP1216.050-350-S	12,7 (1/2")	88,9 (3,5")	14.48	4.76	15.88	25.7	4,54 - 5,45	31.75	87.1
PP1216.050-400-S	12,7 (1/2")	101,6 (4")	14.48	4.76	15.88	25.7	4,54 - 5,45	31.75	87.1
PP1216.050-450-S	12,7 (1/2")	114,3 (4,5")	14.48	4.76	15.88	25.7	4,54 - 5,45	31.75	87.1
PP1216.050-500-S	12,7 (1/2")	127 (5")	14.48	4.76	15.88	25.7	4,54 - 5,45	31.75	87.1
PP1216.050-550-S	12,7 (1/2")	139,7 (5,5")	14.48	4.76	15.88	25.7	4,54 - 5,45	31.75	87.1
PP1216.050-600-S	12,7 (1/2")	152,4 (6")	14.48	4.76	15.88	25.7	4,54 - 5,45	31.75	87.1
PP1216.050-650-S	12,7 (1/2")	165,1 (6,5")	14.48	4.76	15.88	25.7	4,54 - 5,45	31.75	87.1
PP1216.050-700-S	12,7 (1/2")	177,8 (7")	14.48	4.76	15.88	25.7	4,54 - 5,45	31.75	87.1
PP1216.056-100-S	14,29 (9/16")	25,4 (1")	16.31	4.76	17.45	25.7	5,45 - 6,81	31.75	110.3
PP1216.056-150-S	14,29 (9/16")	38,1 (1,5")	16.31	4.76	17.45	25.7	5,45 - 6,81	31.75	110.3
PP1216.056-200-S	14,29 (9/16")	50,8 (2")	16.31	4.76	17.45	25.7	5,45 - 6,81	31.75	110.3
PP1216.056-250-S	14,29 (9/16")	63,5 (2,5")	16.31	4.76	17.45	25.7	5,45 - 6,81	31.75	110.3
PP1216.056-300-S	14,29 (9/16")	76,2 (3")	16.31	4.76	17.45	25.7	5,45 - 6,81	31.75	110.3
PP1216.056-350-S	14,29 (9/16")	88,9 (3,5")	16.31	4.76	17.45	25.7	5,45 - 6,81	31.75	110.3
PP1216.056-400-S	14,29 (9/16")	101,6 (4")	16.31	4.76	17.45	25.7	5,45 - 6,81	31.75	110.3
PP1216.056-450-S	14,29 (9/16")	114,3 (4,5")	16.31	4.76	17.45	25.7	5,45 - 6,81	31.75	110.3
PP1216.056-500-S	14,29 (9/16")	127 (5")	16.31	4.76	17.45	25.7	5,45 - 6,81	31.75	110.3
PP1216.056-550-S	14,29 (9/16")	139,7 (5,5")	16.31	4.76	17.45	25.7	5,45 - 6,81	31.75	110.3
PP1216.056-600-S	14,29 (9/16")	152,4 (6")	16.31	4.76	17.45	25.7	5,45 - 6,81	31.75	110.3
PP1216.056-700-S	14,29 (9/16")	177,8 (7")	16.31	4.76	17.45	25.7	5,45 - 6,81	31.75	110.3
PP1216.062-100-S	15,88 (5/8")	25,4 (1")	18.03	6.35	19.05	27.31	6,36 - 7,26	31.75	137.3
PP1216.062-150-S	15,88 (5/8")	38,1 (1,5")	18.03	6.35	19.05	27.31	6,36 - 7,26	31.75	137.3
PP1216.062-200-S	15,88 (5/8")	50,8 (2")	18.03	6.35	19.05	27.31	6,36 - 7,26	31.75	137.3
PP1216.062-250-S	15,88 (5/8")	63,5 (2,5")	18.03	6.35	19.05	27.31	6,36 - 7,26	31.75	137.3
PP1216.062-300-S	15,88 (5/8")	76,2 (3")	18.03	6.35	19.05	27.31	6,36 - 7,26	31.75	137.3
PP1216.062-350-S	15,88 (5/8")	88,9 (3,5")	18.03	6.35	19.05	27.31	6,36 - 7,26	31.75	137.3
PP1216.062-400-S	15,88 (5/8")	101,6 (4")	18.03	6.35	19.05	27.31	6,36 - 7,26	31.75	137.3
PP1216.062-450-S	15,88 (5/8")	114,3 (4,5")	18.03	6.35	19.05	27.31	6,36 - 7,26	31.75	137.3
PP1216.062-500-S	15,88 (5/8")	127 (5")	18.03	6.35	19.05	27.31	6,36 - 7,26	31.75	137.3
PP1216.062-550-S	15,88 (5/8")	139,7 (5,5")	18.03	6.35	19.05	27.31	6,36 - 7,26	31.75	137.3
PP1216.062-600-S	15,88 (5/8")	152,4 (6")	18.03	6.35	19.05	27.31	6,36 - 7,26	31.75	137.3
PP1216.062-700-S	15,88 (5/8")	177,8 (7")	18.03	6.35	19.05	27.31	6,36 - 7,26	31.75	137.3
PP1216.062-800-S	15,88 (5/8")	203,2 (8")	18.03	6.35	19.05	27.31	6,36 - 7,26	31.75	137.3
PP1216.075-100-S	19,05 (3/4")	25,4 (1")	21.74	6.35	23.8	34.93	8,17 - 9,98	38.1	195.9
PP1216.075-150-S	19,05 (3/4")	38,1 (1,5")	21.74	6.35	23.8	34.93	8,17 - 9,98	38.1	195.9
PP1216.075-200-S	19,05 (3/4")	50,8 (2")	21.74	6.35	23.8	34.93	8,17 - 9,98	38.1	195.9
PP1216.075-250-S	19,05 (3/4")	63,5 (2,5")	21.74	6.35	23.8	34.93	8,17 - 9,98	38.1	195.9

PULL PINS

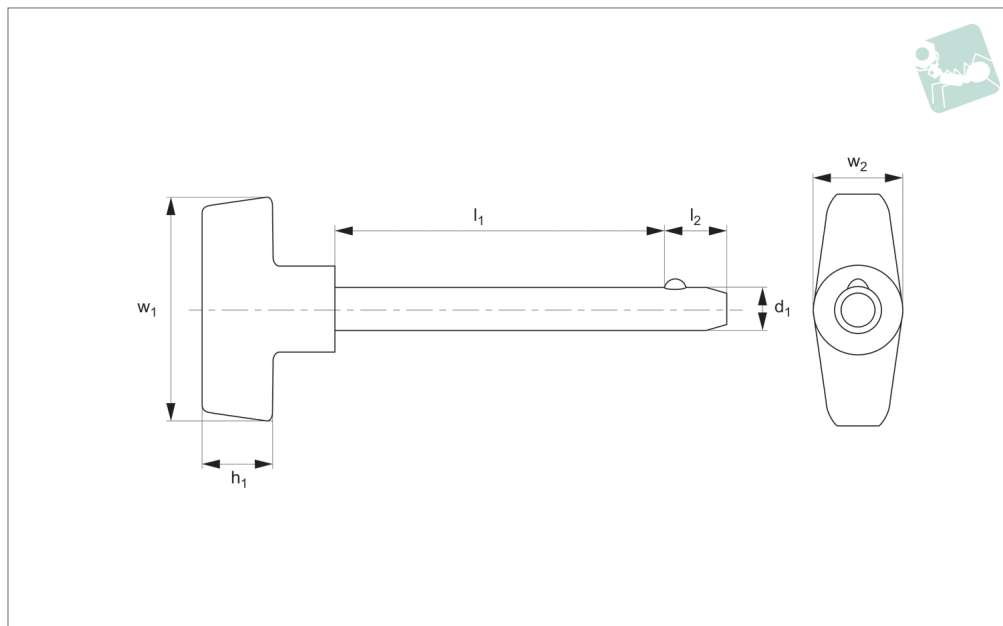


Order No.	d <sub>1</sub> +0.00 -0.08	l <sub>1</sub> grip +1.50 -0.00	d <sub>2</sub>	d <sub>3</sub>	l <sub>2</sub>	l <sub>3</sub>	Pull out strength kg	w <sub>1</sub>	Single shear strength kN min.
PP1216.075-300-S	19,05 (3/4")	76,2 (3")	21.74	6.35	23.8	34.93	8,17 - 9,98	38.1	195.9
PP1216.075-350-S	19,05 (3/4")	88,9 (3,5")	21.74	6.35	23.8	34.93	8,17 - 9,98	38.1	195.9
PP1216.075-400-S	19,05 (3/4")	101,6 (4")	21.74	6.35	23.8	34.93	8,17 - 9,98	38.1	195.9
PP1216.075-450-S	19,05 (3/4")	114,3 (4,5")	21.74	6.35	23.8	34.93	8,17 - 9,98	38.1	195.9
PP1216.075-500-S	19,05 (3/4")	127 (5")	21.74	6.35	23.8	34.93	8,17 - 9,98	38.1	195.9
PP1216.075-550-S	19,05 (3/4")	139,7 (5,5")	21.74	6.35	23.8	34.93	8,17 - 9,98	38.1	195.9
PP1216.075-600-S	19,05 (3/4")	152,4 (6")	21.74	6.35	23.8	34.93	8,17 - 9,98	38.1	195.9
PP1216.075-700-S	19,05 (3/4")	177,8 (7")	21.74	6.35	23.8	34.93	8,17 - 9,98	38.1	195.9
PP1216.075-800-S	19,05 (3/4")	203,2 (8")	21.74	6.35	23.8	34.93	8,17 - 9,98	38.1	195.9
PP1216.088-100-S	22,23 (7/8")	25,4 (1")	25.3	9.52	25.4	38.1	12,71 - 14,07	38.1	262.4
PP1216.088-150-S	22,23 (7/8")	38,1 (1,5")	25.3	9.52	25.4	38.1	12,71 - 14,07	38.1	262.4
PP1216.088-200-S	22,23 (7/8")	50,8 (2")	25.3	9.52	25.4	38.1	12,71 - 14,07	38.1	262.4
PP1216.088-250-S	22,23 (7/8")	63,5 (2,5")	25.3	9.52	25.4	38.1	12,71 - 14,07	38.1	262.4
PP1216.088-300-S	22,23 (7/8")	76,2 (3")	25.3	9.52	25.4	38.1	12,71 - 14,07	38.1	262.4
PP1216.088-350-S	22,23 (7/8")	88,9 (3,5")	25.3	9.52	25.4	38.1	12,71 - 14,07	38.1	262.4
PP1216.088-400-S	22,23 (7/8")	101,6 (4")	25.3	9.52	25.4	38.1	12,71 - 14,07	38.1	262.4
PP1216.088-450-S	22,23 (7/8")	114,3 (4,5")	25.3	9.52	25.4	38.1	12,71 - 14,07	38.1	262.4
PP1216.088-500-S	22,23 (7/8")	127 (5")	25.3	9.52	25.4	38.1	12,71 - 14,07	38.1	262.4
PP1216.088-550-S	22,23 (7/8")	139,7 (5,5")	25.3	9.52	25.4	38.1	12,71 - 14,07	38.1	262.4
PP1216.088-600-S	22,23 (7/8")	152,4 (6")	25.3	9.52	25.4	38.1	12,71 - 14,07	38.1	262.4
PP1216.088-650-S	22,23 (7/8")	165,1 (6,5")	25.3	9.52	25.4	38.1	12,71 - 14,07	38.1	262.4
PP1216.088-700-S	22,23 (7/8")	177,8 (7")	25.3	9.52	25.4	38.1	12,71 - 14,07	38.1	262.4
PP1216.088-800-S	22,23 (7/8")	203,2 (8")	25.3	9.52	25.4	38.1	12,71 - 14,07	38.1	262.4
PP1216.100-100-S	25,4 (1")	25,4 (1")	28.96	9.52	31.75	38.1	15,88 - 18,15	38.1	353.0
PP1216.100-150-S	25,4 (1")	38,1 (1,5")	28.96	9.52	31.75	38.1	15,88 - 18,15	38.1	353.0
PP1216.100-200-S	25,4 (1")	50,8 (2")	28.96	9.52	31.75	38.1	15,88 - 18,15	38.1	353.0
PP1216.100-250-S	25,4 (1")	63,5 (2,5")	28.96	9.52	31.75	38.1	15,88 - 18,15	38.1	353.0
PP1216.100-300-S	25,4 (1")	76,2 (3")	28.96	9.52	31.75	38.1	15,88 - 18,15	38.1	353.0
PP1216.100-350-S	25,4 (1")	88,9 (3,5")	28.96	9.52	31.75	38.1	15,88 - 18,15	38.1	353.0
PP1216.100-400-S	25,4 (1")	101,6 (4")	28.96	9.52	31.75	38.1	15,88 - 18,15	38.1	353.0
PP1216.100-450-S	25,4 (1")	114,3 (4,5")	28.96	9.52	31.75	38.1	15,88 - 18,15	38.1	353.0
PP1216.100-500-S	25,4 (1")	127 (5")	28.96	9.52	31.75	38.1	15,88 - 18,15	38.1	353.0
PP1216.100-550-S	25,4 (1")	139,7 (5,5")	28.96	9.52	31.75	38.1	15,88 - 18,15	38.1	353.0
PP1216.100-600-S	25,4 (1")	152,4 (6")	28.96	9.52	31.75	38.1	15,88 - 18,15	38.1	353.0
PP1216.100-700-S	25,4 (1")	177,8 (7")	28.96	9.52	31.75	38.1	15,88 - 18,15	38.1	353.0
PP1216.100-800-S	25,4 (1")	203,2 (8")	28.96	9.52	31.75	38.1	15,88 - 18,15	38.1	353.0

# Detent Pin - T Handle

steel

## Pull Pins



**PP1230**

PULL PINS

### Material

Shaft: Carbon steel (C1144), zinc plated.  
Ball & spring: Stainless steel AISI 316.

### Technical Notes

Detent pins are very economical for use in commercial and military equipment. The solid body with direct spring loaded

ball ensures reliable operation.

Can be used for locking telescopic tubing, securing bracket assemblies, as anchor clevis fittings, hinge pins and as replacement for cotter pins where frequent removal is necessary.

Hole sizes - commercial drills provide clear-

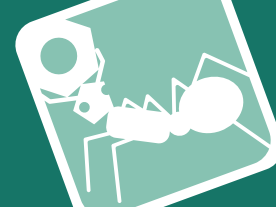
ance for our standard pins.

Inch dimensions in brackets ( ).

### Tips

Also available in stainless steel see part no. P.

Order No.	d <sub>1</sub> +0.00 -0.08	l <sub>1</sub> grip +1.50 -0.00	l <sub>2</sub>	w <sub>1</sub>	h	w <sub>2</sub>	Pull out strength kg	Single shear strength kN min.
PP1230.018-050-C	4,76 (3/16")	12,7 (0,5")	5.08	50.8	28.7	19.05	1,9 - 2,3	10.8
PP1230.018-060-C	4,76 (3/16")	15,24 (0,6")	5.08	50.8	28.7	19.05	1,9 - 2,3	10.8
PP1230.018-070-C	4,76 (3/16")	17,78 (0,7")	5.08	50.8	28.7	19.05	1,9 - 2,3	10.8
PP1230.018-080-C	4,76 (3/16")	20,32 (0,8")	5.08	50.8	28.7	19.05	1,9 - 2,3	10.8
PP1230.018-090-C	4,76 (3/16")	22,86 (0,9")	5.08	50.8	28.7	19.05	1,9 - 2,3	10.8
PP1230.018-100-C	4,76 (3/16")	25,4 (1")	5.08	50.8	28.7	19.05	1,9 - 2,3	10.8
PP1230.018-110-C	4,76 (3/16")	27,94 (1,1")	5.08	50.8	28.7	19.05	1,9 - 2,3	10.8
PP1230.018-120-C	4,76 (3/16")	30,48 (1,2")	5.08	50.8	28.7	19.05	1,9 - 2,3	10.8
PP1230.018-130-C	4,76 (3/16")	33,02 (1,3")	5.08	50.8	28.7	19.05	1,9 - 2,3	10.8
PP1230.018-140-C	4,76 (3/16")	35,56 (1,4")	5.08	50.8	28.7	19.05	1,9 - 2,3	10.8
PP1230.018-150-C	4,76 (3/16")	38,1 (1,5")	5.08	50.8	28.7	19.05	1,9 - 2,3	10.8
PP1230.018-160-C	4,76 (3/16")	40,64 (1,6")	5.08	50.8	28.7	19.05	1,9 - 2,3	10.8
PP1230.018-170-C	4,76 (3/16")	43,18 (1,7")	5.08	50.8	28.7	19.05	1,9 - 2,3	10.8
PP1230.018-180-C	4,76 (3/16")	45,72 (1,8")	5.08	50.8	28.7	19.05	1,9 - 2,3	10.8
PP1230.018-190-C	4,76 (3/16")	48,26 (1,9")	5.08	50.8	28.7	19.05	1,9 - 2,3	10.8
PP1230.018-200-C	4,76 (3/16")	50,8 (2")	5.08	50.8	28.7	19.05	1,9 - 2,3	10.8
PP1230.018-210-C	4,76 (3/16")	53,34 (2,1")	5.08	50.8	28.7	19.05	1,9 - 2,3	10.8
PP1230.018-220-C	4,76 (3/16")	55,88 (2,2")	5.08	50.8	28.7	19.05	1,9 - 2,3	10.8
PP1230.018-230-C	4,76 (3/16")	58,42 (2,3")	5.08	50.8	28.7	19.05	1,9 - 2,3	10.8
PP1230.018-240-C	4,76 (3/16")	60,96 (2,4")	5.08	50.8	28.7	19.05	1,9 - 2,3	10.8
PP1230.018-250-C	4,76 (3/16")	63,5 (2,5")	5.08	50.8	28.7	19.05	1,9 - 2,3	10.8
PP1230.018-260-C	4,76 (3/16")	66,04 (2,6")	5.08	50.8	28.7	19.05	1,9 - 2,3	10.8
PP1230.018-270-C	4,76 (3/16")	68,58 (2,7")	5.08	50.8	28.7	19.05	1,9 - 2,3	10.8
PP1230.018-280-C	4,76 (3/16")	71,12 (2,8")	5.08	50.8	28.7	19.05	1,9 - 2,3	10.8
PP1230.018-290-C	4,76 (3/16")	73,66 (2,9")	5.08	50.8	28.7	19.05	1,9 - 2,3	10.8
PP1230.018-300-C	4,76 (3/16")	76,2 (3")	5.08	50.8	28.7	19.05	1,9 - 2,3	10.8
PP1230.025-100-C	6,35 (1/4")	25,4 (1")	7.92	50.8	28.7	19.05	2,27 - 2,73	19.3
PP1230.025-110-C	6,35 (1/4")	27,94 (1,1")	7.92	50.8	28.7	19.05	2,27 - 2,73	19.3
PP1230.025-120-C	6,35 (1/4")	30,48 (1,2")	7.92	50.8	28.7	19.05	2,27 - 2,73	19.3



Order No.	d <sub>1</sub> +0.00 -0.08	l <sub>1</sub> grip +1.50 -0.00	l <sub>2</sub>	w <sub>1</sub>	h	w <sub>2</sub>	Pull out strength kg	Single shear strength kN min.
PP1230.025-130-C	6,35 (1/4")	33,02 (1,3")	7.92	50.8	28.7	19.05	2,27 - 2,73	19.3
PP1230.025-140-C	6,35 (1/4")	35,56 (1,4")	7.92	50.8	28.7	19.05	2,27 - 2,73	19.3
PP1230.025-150-C	6,35 (1/4")	38,1 (1,5")	7.92	50.8	28.7	19.05	2,27 - 2,73	19.3
PP1230.025-160-C	6,35 (1/4")	40,64 (1,6")	7.92	50.8	28.7	19.05	2,27 - 2,73	19.3
PP1230.025-170-C	6,35 (1/4")	43,18 (1,7")	7.92	50.8	28.7	19.05	2,27 - 2,73	19.3
PP1230.025-180-C	6,35 (1/4")	45,72 (1,8")	7.92	50.8	28.7	19.05	2,27 - 2,73	19.3
PP1230.025-190-C	6,35 (1/4")	48,26 (1,9")	7.92	50.8	28.7	19.05	2,27 - 2,73	19.3
PP1230.025-200-C	6,35 (1/4")	50,8 (2")	7.92	50.8	28.7	19.05	2,27 - 2,73	19.3
PP1230.025-210-C	6,35 (1/4")	53,34 (2,1")	7.92	50.8	28.7	19.05	2,27 - 2,73	19.3
PP1230.025-220-C	6,35 (1/4")	55,88 (2,2")	7.92	50.8	28.7	19.05	2,27 - 2,73	19.3
PP1230.025-230-C	6,35 (1/4")	58,42 (2,3")	7.92	50.8	28.7	19.05	2,27 - 2,73	19.3
PP1230.025-240-C	6,35 (1/4")	60,96 (2,4")	7.92	50.8	28.7	19.05	2,27 - 2,73	19.3
PP1230.025-250-C	6,35 (1/4")	63,5 (2,5")	7.92	50.8	28.7	19.05	2,27 - 2,73	19.3
PP1230.025-260-C	6,35 (1/4")	66,04 (2,6")	7.92	50.8	28.7	19.05	2,27 - 2,73	19.3
PP1230.025-270-C	6,35 (1/4")	68,58 (2,7")	7.92	50.8	28.7	19.05	2,27 - 2,73	19.3
PP1230.025-280-C	6,35 (1/4")	71,12 (2,8")	7.92	50.8	28.7	19.05	2,27 - 2,73	19.3
PP1230.025-290-C	6,35 (1/4")	73,66 (2,9")	7.92	50.8	28.7	19.05	2,27 - 2,73	19.3
PP1230.025-300-C	6,35 (1/4")	76,2 (3")	7.92	50.8	28.7	19.05	2,27 - 2,73	19.3
PP1230.025-050-C	7,94 (5/16")	12,7 (0,5")	9.53	50.8	28.7	19.05	2,27 - 2,73	30.0
PP1230.025-060-C	7,94 (5/16")	15,24 (0,6")	9.53	50.8	28.7	19.05	2,27 - 2,73	30.0
PP1230.025-070-C	7,94 (5/16")	17,78 (0,7")	9.53	50.8	28.7	19.05	2,27 - 2,73	30.0
PP1230.025-080-C	7,94 (5/16")	20,32 (0,8")	9.53	50.8	28.7	19.05	2,27 - 2,73	30.0
PP1230.025-090-C	7,94 (5/16")	22,86 (0,9")	9.53	50.8	28.7	19.05	2,27 - 2,73	30.0
PP1230.031-100-C	7,94 (5/16")	25,4 (1")	9.53	50.8	28.7	19.05	2,27 - 2,73	30.0
PP1230.031-110-C	7,94 (5/16")	27,94 (1,1")	9.53	50.8	28.7	19.05	2,27 - 2,73	30.0
PP1230.031-120-C	7,94 (5/16")	30,48 (1,2")	9.53	50.8	28.7	19.05	2,27 - 2,73	30.0
PP1230.031-130-C	7,94 (5/16")	33,02 (1,3")	9.53	50.8	28.7	19.05	2,27 - 2,73	30.0
PP1230.031-140-C	7,94 (5/16")	35,56 (1,4")	9.53	50.8	28.7	19.05	2,27 - 2,73	30.0
PP1230.031-150-C	7,94 (5/16")	38,1 (1,5")	9.53	50.8	28.7	19.05	2,27 - 2,73	30.0
PP1230.031-160-C	7,94 (5/16")	40,64 (1,6")	9.53	50.8	28.7	19.05	2,27 - 2,73	30.0
PP1230.031-170-C	7,94 (5/16")	43,18 (1,7")	9.53	50.8	28.7	19.05	2,27 - 2,73	30.0
PP1230.031-180-C	7,94 (5/16")	45,72 (1,8")	9.53	50.8	28.7	19.05	2,27 - 2,73	30.0
PP1230.031-190-C	7,94 (5/16")	48,26 (1,9")	9.53	50.8	28.7	19.05	2,27 - 2,73	30.0
PP1230.031-200-C	7,94 (5/16")	50,8 (2")	9.53	50.8	28.7	19.05	2,27 - 2,73	30.0
PP1230.031-210-C	7,94 (5/16")	53,34 (2,1")	9.53	50.8	28.7	19.05	2,27 - 2,73	30.0
PP1230.031-220-C	7,94 (5/16")	55,88 (2,2")	9.53	50.8	28.7	19.05	2,27 - 2,73	30.0
PP1230.031-230-C	7,94 (5/16")	58,42 (2,3")	9.53	50.8	28.7	19.05	2,27 - 2,73	30.0
PP1230.031-240-C	7,94 (5/16")	60,96 (2,4")	9.53	50.8	28.7	19.05	2,27 - 2,73	30.0
PP1230.031-250-C	7,94 (5/16")	63,5 (2,5")	9.53	50.8	28.7	19.05	2,27 - 2,73	30.0
PP1230.031-260-C	7,94 (5/16")	66,04 (2,6")	9.53	50.8	28.7	19.05	2,27 - 2,73	30.0
PP1230.031-270-C	7,94 (5/16")	68,58 (2,7")	9.53	50.8	28.7	19.05	2,27 - 2,73	30.0
PP1230.031-280-C	7,94 (5/16")	71,12 (2,8")	9.53	50.8	28.7	19.05	2,27 - 2,73	30.0
PP1230.031-290-C	7,94 (5/16")	73,66 (2,9")	9.53	50.8	28.7	19.05	2,27 - 2,73	30.0
PP1230.031-300-C	7,94 (5/16")	76,2 (3")	9.53	50.8	28.7	19.05	2,27 - 2,73	30.0
PP1230.031-050-C	9,40 (3/8")	12,7 (0,5")	12.7	50.8	28.7	19.05	3,63 - 4,54	43.3
PP1230.031-060-C	9,40 (3/8")	15,24 (0,6")	12.7	50.8	28.7	19.05	3,63 - 4,54	43.3
PP1230.031-070-C	9,40 (3/8")	17,78 (0,7")	12.7	50.8	28.7	19.05	3,63 - 4,54	43.3
PP1230.031-080-C	9,40 (3/8")	20,32 (0,8")	12.7	50.8	28.7	19.05	3,63 - 4,54	43.3
PP1230.031-090-C	9,40 (3/8")	22,86 (0,9")	12.7	50.8	28.7	19.05	3,63 - 4,54	43.3
PP1230.037-100-C	9,40 (3/8")	25,4 (1")	12.7	50.8	28.7	19.05	3,63 - 4,54	43.3
PP1230.037-110-C	9,40 (3/8")	27,94 (1,1")	12.7	50.8	28.7	19.05	3,63 - 4,54	43.3
PP1230.037-120-C	9,40 (3/8")	30,48 (1,2")	12.7	50.8	28.7	19.05	3,63 - 4,54	43.3
PP1230.037-130-C	9,40 (3/8")	33,02 (1,3")	12.7	50.8	28.7	19.05	3,63 - 4,54	43.3
PP1230.037-140-C	9,40 (3/8")	35,56 (1,4")	12.7	50.8	28.7	19.05	3,63 - 4,54	43.3
PP1230.037-150-C	9,40 (3/8")	38,1 (1,5")	12.7	50.8	28.7	19.05	3,63 - 4,54	43.3
PP1230.037-160-C	9,40 (3/8")	40,64 (1,6")	12.7	50.8	28.7	19.05	3,63 - 4,54	43.3
PP1230.037-170-C	9,40 (3/8")	43,18 (1,7")	12.7	50.8	28.7	19.05	3,63 - 4,54	43.3
PP1230.037-180-C	9,40 (3/8")	45,72 (1,8")	12.7	50.8	28.7	19.05	3,63 - 4,54	43.3
PP1230.037-190-C	9,40 (3/8")	48,26 (1,9")	12.7	50.8	28.7	19.05	3,63 - 4,54	43.3
PP1230.037-200-C	9,40 (3/8")	50,8 (2")	12.7	50.8	28.7	19.05	3,63 - 4,54	43.3
PP1230.037-210-C	9,40 (3/8")	53,34 (2,1")	12.7	50.8	28.7	19.05	3,63 - 4,54	43.3
PP1230.037-220-C	9,40 (3/8")	55,88 (2,2")	12.7	50.8	28.7	19.05	3,63 - 4,54	43.3
PP1230.037-230-C	9,40 (3/8")	58,42 (2,3")	12.7	50.8	28.7	19.05	3,63 - 4,54	43.3
PP1230.037-240-C	9,40 (3/8")	60,96 (2,4")	12.7	50.8	28.7	19.05	3,63 - 4,54	43.3
PP1230.037-250-C	9,40 (3/8")	63,5 (2,5")	12.7	50.8	28.7	19.05	3,63 - 4,54	43.3
PP1230.037-260-C	9,40 (3/8")	66,04 (2,6")	12.7	50.8	28.7	19.05	3,63 - 4,54	43.3
PP1230.037-270-C	9,40 (3/8")	68,58 (2,7")	12.7	50.8	28.7	19.05	3,63 - 4,54	43.3



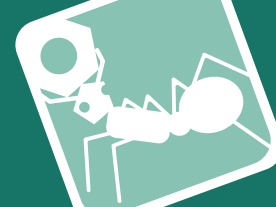
# Detent Pin - T Handle

steel

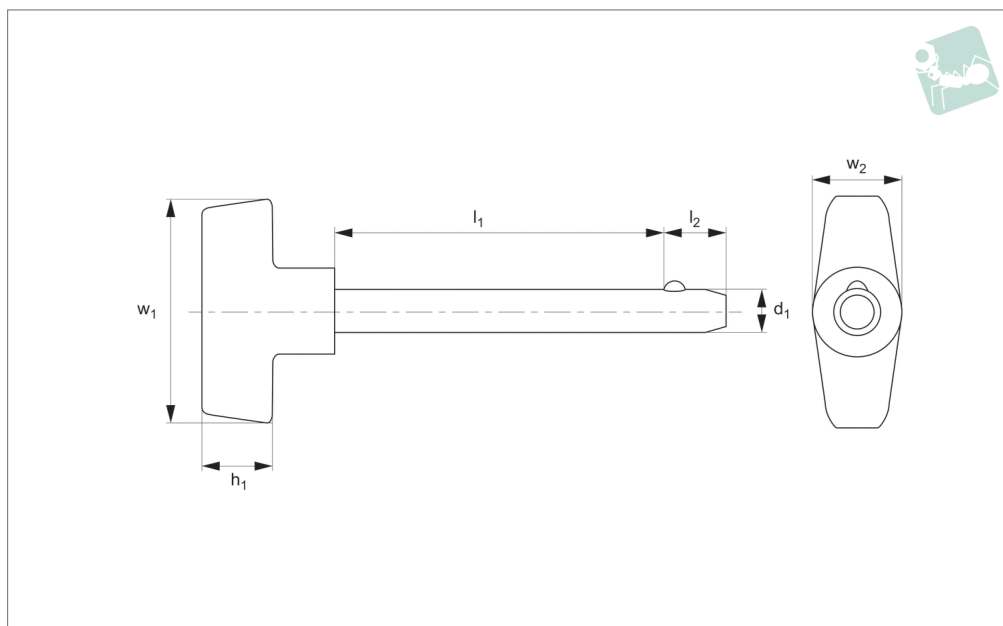
# Pull Pins



Order No.	d <sub>1</sub> +0.00 -0.08	l <sub>1</sub> grip +1.50 -0.00	l <sub>2</sub>	w <sub>1</sub>	h	w <sub>2</sub>	Pull out strength kg	Single shear strength kN min.
PP1230.037-280-C	9,40 (3/8")	71,12 (2,8")	12,7	50,8	28,7	19,05	3,63 - 4,54	43,3
PP1230.037-290-C	9,40 (3/8")	73,66 (2,9")	12,7	50,8	28,7	19,05	3,63 - 4,54	43,3
PP1230.037-300-C	9,40 (3/8")	76,2 (3")	12,7	50,8	28,7	19,05	3,63 - 4,54	43,3
PP1230.037-310-C	9,40 (3/8")	78,74 (3,1")	12,7	50,8	28,7	19,05	3,63 - 4,54	43,3
PP1230.037-320-C	9,40 (3/8")	81,28 (3,2")	12,7	50,8	28,7	19,05	3,63 - 4,54	43,3
PP1230.037-330-C	9,40 (3/8")	83,82 (3,3")	12,7	50,8	28,7	19,05	3,63 - 4,54	43,3
PP1230.037-340-C	9,40 (3/8")	86,36 (3,4")	12,7	50,8	28,7	19,05	3,63 - 4,54	43,3
PP1230.037-350-C	9,40 (3/8")	88,9 (3,5")	12,7	50,8	28,7	19,05	3,63 - 4,54	43,3
PP1230.037-360-C	9,40 (3/8")	91,44 (3,6")	12,7	50,8	28,7	19,05	3,63 - 4,54	43,3
PP1230.037-370-C	9,40 (3/8")	93,98 (3,7")	12,7	50,8	28,7	19,05	3,63 - 4,54	43,3
PP1230.037-380-C	9,40 (3/8")	96,52 (3,8")	12,7	50,8	28,7	19,05	3,63 - 4,54	43,3
PP1230.037-390-C	9,40 (3/8")	99,06 (3,9")	12,7	50,8	28,7	19,05	3,63 - 4,54	43,3
PP1230.037-400-C	9,40 (3/8")	101,6 (4")	12,7	50,8	28,7	19,05	3,63 - 4,54	43,3
PP1230.037-050-C	12,70 (1/2")	12,7 (0,5")	15,88	88,9	28,7	23,88	4,54 - 5,45	77,0
PP1230.037-060-C	12,7 (1/2")	15,24 (0,6")	15,88	88,9	28,7	23,88	4,54 - 5,45	77,0
PP1230.037-070-C	12,7 (1/2")	17,78 (0,7")	15,88	88,9	28,7	23,88	4,54 - 5,45	77,0
PP1230.037-080-C	12,7 (1/2")	20,32 (0,8")	15,88	88,9	28,7	23,88	4,54 - 5,45	77,0
PP1230.037-090-C	12,7 (1/2")	22,86 (0,9")	15,88	88,9	28,7	23,88	4,54 - 5,45	77,0
PP1230.050-100-C	12,7 (1/2")	25,4 (1")	15,88	88,9	28,7	23,88	4,54 - 5,45	77,0
PP1230.050-110-C	12,7 (1/2")	27,94 (1,1")	15,88	88,9	28,7	23,88	4,54 - 5,45	77,0
PP1230.050-120-C	12,7 (1/2")	30,48 (1,2")	15,88	88,9	28,7	23,88	4,54 - 5,45	77,0
PP1230.050-130-C	12,7 (1/2")	33,02 (1,3")	15,88	88,9	28,7	23,88	4,54 - 5,45	77,0
PP1230.050-140-C	12,7 (1/2")	35,56 (1,4")	15,88	88,9	28,7	23,88	4,54 - 5,45	77,0
PP1230.050-150-C	12,7 (1/2")	38,1 (1,5")	15,88	88,9	28,7	23,88	4,54 - 5,45	77,0
PP1230.050-160-C	12,7 (1/2")	40,64 (1,6")	15,88	88,9	28,7	23,88	4,54 - 5,45	77,0
PP1230.050-170-C	12,7 (1/2")	43,18 (1,7")	15,88	88,9	28,7	23,88	4,54 - 5,45	77,0
PP1230.050-180-C	12,7 (1/2")	45,72 (1,8")	15,88	88,9	28,7	23,88	4,54 - 5,45	77,0
PP1230.050-190-C	12,7 (1/2")	48,26 (1,9")	15,88	88,9	28,7	23,88	4,54 - 5,45	77,0
PP1230.050-200-C	12,7 (1/2")	50,8 (2")	15,88	88,9	28,7	23,88	4,54 - 5,45	77,0
PP1230.050-210-C	12,7 (1/2")	53,34 (2,1")	15,88	88,9	28,7	23,88	4,54 - 5,45	77,0
PP1230.050-220-C	12,7 (1/2")	55,88 (2,2")	15,88	88,9	28,7	23,88	4,54 - 5,45	77,0
PP1230.050-230-C	12,7 (1/2")	58,42 (2,3")	15,88	88,9	28,7	23,88	4,54 - 5,45	77,0
PP1230.050-240-C	12,7 (1/2")	60,96 (2,4")	15,88	88,9	28,7	23,88	4,54 - 5,45	77,0
PP1230.050-250-C	12,7 (1/2")	63,5 (2,5")	15,88	88,9	28,7	23,88	4,54 - 5,45	77,0
PP1230.050-260-C	12,7 (1/2")	66,04 (2,6")	15,88	88,9	28,7	23,88	4,54 - 5,45	77,0
PP1230.050-270-C	12,7 (1/2")	68,58 (2,7")	15,88	88,9	28,7	23,88	4,54 - 5,45	77,0
PP1230.050-280-C	12,7 (1/2")	71,12 (2,8")	15,88	88,9	28,7	23,88	4,54 - 5,45	77,0
PP1230.050-290-C	12,7 (1/2")	73,66 (2,9")	15,88	88,9	28,7	23,88	4,54 - 5,45	77,0
PP1230.050-300-C	12,7 (1/2")	76,2 (3")	15,88	88,9	28,7	23,88	4,54 - 5,45	77,0
PP1230.050-310-C	12,7 (1/2")	78,74 (3,1")	15,88	88,9	28,7	23,88	4,54 - 5,45	77,0
PP1230.050-320-C	12,7 (1/2")	81,28 (3,2")	15,88	88,9	28,7	23,88	4,54 - 5,45	77,0
PP1230.050-330-C	12,7 (1/2")	83,82 (3,3")	15,88	88,9	28,7	23,88	4,54 - 5,45	77,0
PP1230.050-340-C	12,7 (1/2")	86,36 (3,4")	15,88	88,9	28,7	23,88	4,54 - 5,45	77,0
PP1230.050-350-C	12,7 (1/2")	88,9 (3,5")	15,88	88,9	28,7	23,88	4,54 - 5,45	77,0
PP1230.050-360-C	12,7 (1/2")	91,44 (3,6")	15,88	88,9	28,7	23,88	4,54 - 5,45	77,0
PP1230.050-370-C	12,7 (1/2")	93,98 (3,7")	15,88	88,9	28,7	23,88	4,54 - 5,45	77,0
PP1230.050-380-C	12,7 (1/2")	96,52 (3,8")	15,88	88,9	28,7	23,88	4,54 - 5,45	77,0
PP1230.050-390-C	12,7 (1/2")	99,06 (3,9")	15,88	88,9	28,7	23,88	4,54 - 5,45	77,0
PP1230.050-400-C	12,7 (1/2")	101,6 (4")	15,88	88,9	28,7	23,88	4,54 - 5,45	77,0
PP1230.050-410-C	12,7 (1/2")	104,14 (4,1")	15,88	88,9	28,7	23,88	4,54 - 5,45	77,0
PP1230.050-420-C	12,7 (1/2")	106,68 (4,2")	15,88	88,9	28,7	23,88	4,54 - 5,45	77,0
PP1230.050-430-C	12,7 (1/2")	109,22 (4,3")	15,88	88,9	28,7	23,88	4,54 - 5,45	77,0
PP1230.050-440-C	12,7 (1/2")	111,76 (4,4")	15,88	88,9	28,7	23,88	4,54 - 5,45	77,0
PP1230.050-450-C	12,7 (1/2")	114,3 (4,5")	15,88	88,9	28,7	23,88	4,54 - 5,45	77,0
PP1230.050-460-C	12,7 (1/2")	116,84 (4,6")	15,88	88,9	28,7	23,88	4,54 - 5,45	77,0
PP1230.050-470-C	12,7 (1/2")	119,38 (4,7")	15,88	88,9	28,7	23,88	4,54 - 5,45	77,0
PP1230.050-480-C	12,7 (1/2")	121,92 (4,8")	15,88	88,9	28,7	23,88	4,54 - 5,45	77,0
PP1230.050-490-C	12,7 (1/2")	124,46 (4,9")	15,88	88,9	28,7	23,88	4,54 - 5,45	77,0
PP1230.050-500-C	12,7 (1/2")	127 (5")	15,88	88,9	28,7	23,88	4,54 - 5,45	77,0



**PP1232**



**Material**

Shaft: Stainless steel, AISI 303.

Ball & Spring: Stainless steel, AISI 316.

**Technical Notes**

Detent pins are very economical for use in commercial and military equipment.

The solid body with direct spring loaded ball ensures reliable operation.

For locking telescopic tubing, securing bracket assemblies, as anchor clevis fittings, hinge pins etc where frequent removal is necessary.

Hole sizes - commercial drills provide clearance for our standard pins.

Inch dimensions in brackets ( ).

**Tips**

Also available on request in A4 (AISI 316) stainless steel, subject to min. quantity.

Order No.	d <sub>1</sub> +0.00 -0.08	l <sub>1</sub> grip +1.50 -0.00	l <sub>2</sub>	w <sub>1</sub>	h	w <sub>2</sub>	Pull out strength kg	Single shear strength kN min.
PP1232.018-050-S	4,76 (3/16")	12,7 (0,5")	5.08	50.8	28.7	19.05	1,9 - 2,3	12.2
PP1232.018-060-S	4,76 (3/16")	15,24 (0,6")	5.08	50.8	28.7	19.05	1,9 - 2,3	12.2
PP1232.018-070-S	4,76 (3/16")	17,78 (0,7")	5.08	50.8	28.7	19.05	1,9 - 2,3	12.2
PP1232.018-080-S	4,76 (3/16")	20,32 (0,8")	5.08	50.8	28.7	19.05	1,9 - 2,3	12.2
PP1232.018-090-S	4,76 (3/16")	22,86 (0,9")	5.08	50.8	28.7	19.05	1,9 - 2,3	12.2
PP1232.018-100-S	4,76 (3/16")	25,4 (1")	5.08	50.8	28.7	19.05	1,9 - 2,3	12.2
PP1232.018-110-S	4,76 (3/16")	27,94 (1,1")	5.08	50.8	28.7	19.05	1,9 - 2,3	12.2
PP1232.018-120-S	4,76 (3/16")	30,48 (1,2")	5.08	50.8	28.7	19.05	1,9 - 2,3	12.2
PP1232.018-130-S	4,76 (3/16")	33,02 (1,3")	5.08	50.8	28.7	19.05	1,9 - 2,3	12.2
PP1232.018-140-S	4,76 (3/16")	35,56 (1,4")	5.08	50.8	28.7	19.05	1,9 - 2,3	12.2
PP1232.018-150-S	4,76 (3/16")	38,1 (1,5")	5.08	50.8	28.7	19.05	1,9 - 2,3	12.2
PP1232.018-160-S	4,76 (3/16")	40,64 (1,6")	5.08	50.8	28.7	19.05	1,9 - 2,3	12.2
PP1232.018-170-S	4,76 (3/16")	43,18 (1,7")	5.08	50.8	28.7	19.05	1,9 - 2,3	12.2
PP1232.018-180-S	4,76 (3/16")	45,72 (1,8")	5.08	50.8	28.7	19.05	1,9 - 2,3	12.2
PP1232.018-190-S	4,76 (3/16")	48,26 (1,9")	5.08	50.8	28.7	19.05	1,9 - 2,3	12.2
PP1232.018-200-S	4,76 (3/16")	50,8 (2")	5.08	50.8	28.7	19.05	1,9 - 2,3	12.2
PP1232.018-210-S	4,76 (3/16")	53,34 (2,1")	5.08	50.8	28.7	19.05	1,9 - 2,3	12.2
PP1232.018-220-S	4,76 (3/16")	55,88 (2,2")	5.08	50.8	28.7	19.05	1,9 - 2,3	12.2
PP1232.018-230-S	4,76 (3/16")	58,42 (2,3")	5.08	50.8	28.7	19.05	1,9 - 2,3	12.2
PP1232.018-240-S	4,76 (3/16")	60,96 (2,4")	5.08	50.8	28.7	19.05	1,9 - 2,3	12.2
PP1232.018-250-S	4,76 (3/16")	63,5 (2,5")	5.08	50.8	28.7	19.05	1,9 - 2,3	12.2
PP1232.018-260-S	4,76 (3/16")	66,04 (2,6")	5.08	50.8	28.7	19.05	1,9 - 2,3	12.2
PP1232.018-270-S	4,76 (3/16")	68,58 (2,7")	5.08	50.8	28.7	19.05	1,9 - 2,3	12.2
PP1232.018-280-S	4,76 (3/16")	71,12 (2,8")	5.08	50.8	28.7	19.05	1,9 - 2,3	12.2
PP1232.018-290-S	4,76 (3/16")	73,66 (2,9")	5.08	50.8	28.7	19.05	1,9 - 2,3	12.2
PP1232.018-300-S	4,76 (3/16")	76,2 (3")	5.08	50.8	28.7	19.05	1,9 - 2,3	12.2
PP1232.018-055-S	6,35 (1/4")	12,7 (0,5")	7.92	50.8	28.7	19.05	2,27 - 2,73	21.7
PP1232.018-065-S	6,35 (1/4")	15,24 (0,6")	7.92	50.8	28.7	19.05	2,27 - 2,73	21.7
PP1232.018-075-S	6,35 (1/4")	17,78 (0,7")	7.92	50.8	28.7	19.05	2,27 - 2,73	21.7
PP1232.018-085-S	6,35 (1/4")	20,32 (0,8")	7.92	50.8	28.7	19.05	2,27 - 2,73	21.7



# Detent Pin - T Handle

stainless steel

# Pull Pins

Order No.	d <sub>1</sub> +0.00 -0.08	l <sub>1</sub> grip +1.50 -0.00	l <sub>2</sub>	w <sub>1</sub>	h	w <sub>2</sub>	Pull out strength kg	Single shear strength kN min.
PP1232.018-095-S	6,35 (1/4")	22,86 (0,9")	7.92	50.8	28.7	19.05	2,27 - 2,73	21.7
PP1232.025-100-S	6,35 (1/4")	25,4 (1")	7.92	50.8	28.7	19.05	2,27 - 2,73	21.7
PP1232.025-110-S	6,35 (1/4")	27,94 (1,1")	7.92	50.8	28.7	19.05	2,27 - 2,73	21.7
PP1232.025-120-S	6,35 (1/4")	30,48 (1,2")	7.92	50.8	28.7	19.05	2,27 - 2,73	21.7
PP1232.025-130-S	6,35 (1/4")	33,02 (1,3")	7.92	50.8	28.7	19.05	2,27 - 2,73	21.7
PP1232.025-140-S	6,35 (1/4")	35,56 (1,4")	7.92	50.8	28.7	19.05	2,27 - 2,73	21.7
PP1232.025-150-S	6,35 (1/4")	38,1 (1,5")	7.92	50.8	28.7	19.05	2,27 - 2,73	21.7
PP1232.025-160-S	6,35 (1/4")	40,64 (1,6")	7.92	50.8	28.7	19.05	2,27 - 2,73	21.7
PP1232.025-170-S	6,35 (1/4")	43,18 (1,7")	7.92	50.8	28.7	19.05	2,27 - 2,73	21.7
PP1232.025-180-S	6,35 (1/4")	45,72 (1,8")	7.92	50.8	28.7	19.05	2,27 - 2,73	21.7
PP1232.025-190-S	6,35 (1/4")	48,26 (1,9")	7.92	50.8	28.7	19.05	2,27 - 2,73	21.7
PP1232.025-200-S	6,35 (1/4")	50,8 (2")	7.92	50.8	28.7	19.05	2,27 - 2,73	21.7
PP1232.025-210-S	6,35 (1/4")	53,34 (2,1")	7.92	50.8	28.7	19.05	2,27 - 2,73	21.7
PP1232.025-220-S	6,35 (1/4")	55,88 (2,2")	7.92	50.8	28.7	19.05	2,27 - 2,73	21.7
PP1232.025-230-S	6,35 (1/4")	58,42 (2,3")	7.92	50.8	28.7	19.05	2,27 - 2,73	21.7
PP1232.025-240-S	6,35 (1/4")	60,96 (2,4")	7.92	50.8	28.7	19.05	2,27 - 2,73	21.7
PP1232.025-250-S	6,35 (1/4")	63,5 (2,5")	7.92	50.8	28.7	19.05	2,27 - 2,73	21.7
PP1232.025-260-S	6,35 (1/4")	66,04 (2,6")	7.92	50.8	28.7	19.05	2,27 - 2,73	21.7
PP1232.025-270-S	6,35 (1/4")	68,58 (2,7")	7.92	50.8	28.7	19.05	2,27 - 2,73	21.7
PP1232.025-280-S	6,35 (1/4")	71,12 (2,8")	7.92	50.8	28.7	19.05	2,27 - 2,73	21.7
PP1232.025-290-S	6,35 (1/4")	73,66 (2,9")	7.92	50.8	28.7	19.05	2,27 - 2,73	21.7
PP1232.025-300-S	6,35 (1/4")	76,2 (3")	7.92	50.8	28.7	19.05	2,27 - 2,73	21.7
PP1232.025-050-S	7,94 (5/16")	12,7 (0,5")	9.53	50.8	28.7	19.05	2,27 - 2,73	33.8
PP1232.025-060-S	7,94 (5/16")	15,24 (0,6")	9.53	50.8	28.7	19.05	2,27 - 2,73	33.8
PP1232.025-070-S	7,94 (5/16")	17,78 (0,7")	9.53	50.8	28.7	19.05	2,27 - 2,73	33.8
PP1232.025-080-S	7,94 (5/16")	20,32 (0,8")	9.53	50.8	28.7	19.05	2,27 - 2,73	33.8
PP1232.025-090-S	7,94 (5/16")	22,86 (0,9")	9.53	50.8	28.7	19.05	2,27 - 2,73	33.8
PP1232.031-100-S	7,94 (5/16")	25,4 (1")	9.53	50.8	28.7	19.05	2,27 - 2,73	33.8
PP1232.031-110-S	7,94 (5/16")	27,94 (1,1")	9.53	50.8	28.7	19.05	2,27 - 2,73	33.8
PP1232.031-120-S	7,94 (5/16")	30,48 (1,2")	9.53	50.8	28.7	19.05	2,27 - 2,73	33.8
PP1232.031-130-S	7,94 (5/16")	33,02 (1,3")	9.53	50.8	28.7	19.05	2,27 - 2,73	33.8
PP1232.031-140-S	7,94 (5/16")	35,56 (1,4")	9.53	50.8	28.7	19.05	2,27 - 2,73	33.8
PP1232.031-150-S	7,94 (5/16")	38,1 (1,5")	9.53	50.8	28.7	19.05	2,27 - 2,73	33.8
PP1232.031-160-S	7,94 (5/16")	40,64 (1,6")	9.53	50.8	28.7	19.05	2,27 - 2,73	33.8
PP1232.031-170-S	7,94 (5/16")	43,18 (1,7")	9.53	50.8	28.7	19.05	2,27 - 2,73	33.8
PP1232.031-180-S	7,94 (5/16")	45,72 (1,8")	9.53	50.8	28.7	19.05	2,27 - 2,73	33.8
PP1232.031-190-S	7,94 (5/16")	48,26 (1,9")	9.53	50.8	28.7	19.05	2,27 - 2,73	33.8
PP1232.031-200-S	7,94 (5/16")	50,8 (2")	9.53	50.8	28.7	19.05	2,27 - 2,73	33.8
PP1232.031-210-S	7,94 (5/16")	53,34 (2,1")	9.53	50.8	28.7	19.05	2,27 - 2,73	33.8
PP1232.031-220-S	7,94 (5/16")	55,88 (2,2")	9.53	50.8	28.7	19.05	2,27 - 2,73	33.8
PP1232.031-230-S	7,94 (5/16")	58,42 (2,3")	9.53	50.8	28.7	19.05	2,27 - 2,73	33.8
PP1232.031-240-S	7,94 (5/16")	60,96 (2,4")	9.53	50.8	28.7	19.05	2,27 - 2,73	33.8
PP1232.031-250-S	7,94 (5/16")	63,5 (2,5")	9.53	50.8	28.7	19.05	2,27 - 2,73	33.8
PP1232.031-260-S	7,94 (5/16")	66,04 (2,6")	9.53	50.8	28.7	19.05	2,27 - 2,73	33.8
PP1232.031-270-S	7,94 (5/16")	68,58 (2,7")	9.53	50.8	28.7	19.05	2,27 - 2,73	33.8
PP1232.031-280-S	7,94 (5/16")	71,12 (2,8")	9.53	50.8	28.7	19.05	2,27 - 2,73	33.8
PP1232.031-290-S	7,94 (5/16")	73,66 (2,9")	9.53	50.8	28.7	19.05	2,27 - 2,73	33.8
PP1232.031-300-S	7,94 (5/16")	76,2 (3")	9.53	50.8	28.7	19.05	2,27 - 2,73	33.8
PP1232.031-050-S	9,40 (3/8")	12,7 (0,5")	12.7	50.8	28.7	19.05	3,63 - 4,54	49.1
PP1232.031-060-S	9,40 (3/8")	15,24 (0,6")	12.7	50.8	28.7	19.05	3,63 - 4,54	49.1
PP1232.031-070-S	9,40 (3/8")	17,78 (0,7")	12.7	50.8	28.7	19.05	3,63 - 4,54	49.1
PP1232.031-080-S	9,40 (3/8")	20,32 (0,8")	12.7	50.8	28.7	19.05	3,63 - 4,54	49.1
PP1232.031-090-S	9,40 (3/8")	22,86 (0,9")	12.7	50.8	28.7	19.05	3,63 - 4,54	49.1
PP1232.037-100-S	9,40 (3/8")	25,4 (1")	12.7	50.8	28.7	19.05	3,63 - 4,54	49.1
PP1232.037-110-S	9,40 (3/8")	27,94 (1,1")	12.7	50.8	28.7	19.05	3,63 - 4,54	49.1
PP1232.037-120-S	9,40 (3/8")	30,48 (1,2")	12.7	50.8	28.7	19.05	3,63 - 4,54	49.1
PP1232.037-130-S	9,40 (3/8")	33,02 (1,3")	12.7	50.8	28.7	19.05	3,63 - 4,54	49.1
PP1232.037-140-S	9,40 (3/8")	35,56 (1,4")	12.7	50.8	28.7	19.05	3,63 - 4,54	49.1
PP1232.037-150-S	9,40 (3/8")	38,1 (1,5")	12.7	50.8	28.7	19.05	3,63 - 4,54	49.1
PP1232.037-160-S	9,40 (3/8")	40,64 (1,6")	12.7	50.8	28.7	19.05	3,63 - 4,54	49.1
PP1232.037-170-S	9,40 (3/8")	43,18 (1,7")	12.7	50.8	28.7	19.05	3,63 - 4,54	49.1
PP1232.037-180-S	9,40 (3/8")	45,72 (1,8")	12.7	50.8	28.7	19.05	3,63 - 4,54	49.1
PP1232.037-190-S	9,40 (3/8")	48,26 (1,9")	12.7	50.8	28.7	19.05	3,63 - 4,54	49.1
PP1232.037-200-S	9,40 (3/8")	50,8 (2")	12.7	50.8	28.7	19.05	3,63 - 4,54	49.1
PP1232.037-210-S	9,40 (3/8")	53,34 (2,1")	12.7	50.8	28.7	19.05	3,63 - 4,54	49.1
PP1232.037-220-S	9,40 (3/8")	55,88 (2,2")	12.7	50.8	28.7	19.05	3,63 - 4,54	49.1
PP1232.037-230-S	9,40 (3/8")	58,42 (2,3")	12.7	50.8	28.7	19.05	3,63 - 4,54	49.1

PULL PINS



PULL PINS

Order No.	d <sub>1</sub> +0.00 -0.08	l <sub>1</sub> grip +1.50 -0.00	l <sub>2</sub>	w <sub>1</sub>	h	w <sub>2</sub>	Pull out strength kg	Single shear strength kN min.
PP1232.037-240-S	9,40 (3/8")	60,96 (2,4")	12,7	50,8	28,7	19,05	3,63 - 4,54	49,1
PP1232.037-250-S	9,40 (3/8")	63,5 (2,5")	12,7	50,8	28,7	19,05	3,63 - 4,54	49,1
PP1232.037-260-S	9,40 (3/8")	66,04 (2,6")	12,7	50,8	28,7	19,05	3,63 - 4,54	49,1
PP1232.037-270-S	9,40 (3/8")	68,58 (2,7")	12,7	50,8	28,7	19,05	3,63 - 4,54	49,1
PP1232.037-280-S	9,40 (3/8")	71,12 (2,8")	12,7	50,8	28,7	19,05	3,63 - 4,54	49,1
PP1232.037-290-S	9,40 (3/8")	73,66 (2,9")	12,7	50,8	28,7	19,05	3,63 - 4,54	49,1
PP1232.037-300-S	9,40 (3/8")	76,2 (3")	12,7	50,8	28,7	19,05	3,63 - 4,54	49,1
PP1232.037-310-S	9,40 (3/8")	78,74 (3,1")	12,7	50,8	28,7	19,05	3,63 - 4,54	49,1
PP1232.037-320-S	9,40 (3/8")	81,28 (3,2")	12,7	50,8	28,7	19,05	3,63 - 4,54	49,1
PP1232.037-330-S	9,40 (3/8")	83,82 (3,3")	12,7	50,8	28,7	19,05	3,63 - 4,54	49,1
PP1232.037-340-S	9,40 (3/8")	86,36 (3,4")	12,7	50,8	28,7	19,05	3,63 - 4,54	49,1
PP1232.037-350-S	9,40 (3/8")	88,9 (3,5")	12,7	50,8	28,7	19,05	3,63 - 4,54	49,1
PP1232.037-360-S	9,40 (3/8")	91,44 (3,6")	12,7	50,8	28,7	19,05	3,63 - 4,54	49,1
PP1232.037-370-S	9,40 (3/8")	93,98 (3,7")	12,7	50,8	28,7	19,05	3,63 - 4,54	49,1
PP1232.037-380-S	9,40 (3/8")	96,52 (3,8")	12,7	50,8	28,7	19,05	3,63 - 4,54	49,1
PP1232.037-390-S	9,40 (3/8")	99,06 (3,9")	12,7	50,8	28,7	19,05	3,63 - 4,54	49,1
PP1232.037-400-S	9,40 (3/8")	101,6 (4")	12,7	50,8	28,7	19,05	3,63 - 4,54	49,1
PP1232.037-050-S	12,70 (1/2")	12,7 (0,5")	15,88	88,9	28,7	23,88	4,54 - 5,45	87,1
PP1232.037-060-S	12,70 (1/2")	15,24 (0,6")	15,88	88,9	28,7	23,88	4,54 - 5,45	87,1
PP1232.037-070-S	12,70 (1/2")	17,78 (0,7")	15,88	88,9	28,7	23,88	4,54 - 5,45	87,1
PP1232.037-080-S	12,70 (1/2")	20,32 (0,8")	15,88	88,9	28,7	23,88	4,54 - 5,45	87,1
PP1232.037-090-S	12,70 (1/2")	22,86 (0,9")	15,88	88,9	28,7	23,88	4,54 - 5,45	87,1
PP1232.050-100-S	12,70 (1/2")	25,4 (1")	15,88	88,9	28,7	23,88	4,54 - 5,45	87,1
PP1232.050-110-S	12,70 (1/2")	27,94 (1,1")	15,88	88,9	28,7	23,88	4,54 - 5,45	87,1
PP1232.050-120-S	12,70 (1/2")	30,48 (1,2")	15,88	88,9	28,7	23,88	4,54 - 5,45	87,1
PP1232.050-130-S	12,70 (1/2")	33,02 (1,3")	15,88	88,9	28,7	23,88	4,54 - 5,45	87,1
PP1232.050-140-S	12,70 (1/2")	35,56 (1,4")	15,88	88,9	28,7	23,88	4,54 - 5,45	87,1
PP1232.050-150-S	12,70 (1/2")	38,1 (1,5")	15,88	88,9	28,7	23,88	4,54 - 5,45	87,1
PP1232.050-160-S	12,70 (1/2")	40,64 (1,6")	15,88	88,9	28,7	23,88	4,54 - 5,45	87,1
PP1232.050-170-S	12,70 (1/2")	43,18 (1,7")	15,88	88,9	28,7	23,88	4,54 - 5,45	87,1
PP1232.050-180-S	12,70 (1/2")	45,72 (1,8")	15,88	88,9	28,7	23,88	4,54 - 5,45	87,1
PP1232.050-190-S	12,70 (1/2")	48,26 (1,9")	15,88	88,9	28,7	23,88	4,54 - 5,45	87,1
PP1232.050-200-S	12,70 (1/2")	50,8 (2")	15,88	88,9	28,7	23,88	4,54 - 5,45	87,1
PP1232.050-210-S	12,70 (1/2")	53,34 (2,1")	15,88	88,9	28,7	23,88	4,54 - 5,45	87,1
PP1232.050-220-S	12,70 (1/2")	55,88 (2,2")	15,88	88,9	28,7	23,88	4,54 - 5,45	87,1
PP1232.050-230-S	12,70 (1/2")	58,42 (2,3")	15,88	88,9	28,7	23,88	4,54 - 5,45	87,1
PP1232.050-240-S	12,70 (1/2")	60,96 (2,4")	15,88	88,9	28,7	23,88	4,54 - 5,45	87,1
PP1232.050-250-S	12,70 (1/2")	63,5 (2,5")	15,88	88,9	28,7	23,88	4,54 - 5,45	87,1
PP1232.050-260-S	12,70 (1/2")	66,04 (2,6")	15,88	88,9	28,7	23,88	4,54 - 5,45	87,1
PP1232.050-270-S	12,70 (1/2")	68,58 (2,7")	15,88	88,9	28,7	23,88	4,54 - 5,45	87,1
PP1232.050-280-S	12,70 (1/2")	71,12 (2,8")	15,88	88,9	28,7	23,88	4,54 - 5,45	87,1
PP1232.050-290-S	12,70 (1/2")	73,66 (2,9")	15,88	88,9	28,7	23,88	4,54 - 5,45	87,1
PP1232.050-300-S	12,70 (1/2")	76,2 (3")	15,88	88,9	28,7	23,88	4,54 - 5,45	87,1
PP1232.050-310-S	12,70 (1/2")	78,74 (3,1")	15,88	88,9	28,7	23,88	4,54 - 5,45	87,1
PP1232.050-320-S	12,70 (1/2")	81,28 (3,2")	15,88	88,9	28,7	23,88	4,54 - 5,45	87,1
PP1232.050-330-S	12,70 (1/2")	83,82 (3,3")	15,88	88,9	28,7	23,88	4,54 - 5,45	87,1
PP1232.050-340-S	12,70 (1/2")	86,36 (3,4")	15,88	88,9	28,7	23,88	4,54 - 5,45	87,1
PP1232.050-350-S	12,70 (1/2")	88,9 (3,5")	15,88	88,9	28,7	23,88	4,54 - 5,45	87,1
PP1232.050-360-S	12,70 (1/2")	91,44 (3,6")	15,88	88,9	28,7	23,88	4,54 - 5,45	87,1
PP1232.050-370-S	12,70 (1/2")	93,98 (3,7")	15,88	88,9	28,7	23,88	4,54 - 5,45	87,1
PP1232.050-380-S	12,70 (1/2")	96,52 (3,8")	15,88	88,9	28,7	23,88	4,54 - 5,45	87,1
PP1232.050-390-S	12,70 (1/2")	99,06 (3,9")	15,88	88,9	28,7	23,88	4,54 - 5,45	87,1
PP1232.050-400-S	12,70 (1/2")	101,6 (4")	15,88	88,9	28,7	23,88	4,54 - 5,45	87,1
PP1232.050-410-S	12,70 (1/2")	104,14 (4,1")	15,88	88,9	28,7	23,88	4,54 - 5,45	87,1
PP1232.050-420-S	12,70 (1/2")	106,68 (4,2")	15,88	88,9	28,7	23,88	4,54 - 5,45	87,1
PP1232.050-430-S	12,70 (1/2")	109,22 (4,3")	15,88	88,9	28,7	23,88	4,54 - 5,45	87,1
PP1232.050-440-S	12,70 (1/2")	111,76 (4,4")	15,88	88,9	28,7	23,88	4,54 - 5,45	87,1
PP1232.050-450-S	12,70 (1/2")	114,3 (4,5")	15,88	88,9	28,7	23,88	4,54 - 5,45	87,1
PP1232.050-460-S	12,70 (1/2")	116,84 (4,6")	15,88	88,9	28,7	23,88	4,54 - 5,45	87,1
PP1232.050-470-S	12,70 (1/2")	119,38 (4,7")	15,88	88,9	28,7	23,88	4,54 - 5,45	87,1
PP1232.050-480-S	12,70 (1/2")	121,92 (4,8")	15,88	88,9	28,7	23,88	4,54 - 5,45	87,1
PP1232.050-490-S	12,70 (1/2")	124,46 (4,9")	15,88	88,9	28,7	23,88	4,54 - 5,45	87,1
PP1232.050-500-S	12,70 (1/2")	127 (5")	15,88	88,9	28,7	23,88	4,54 - 5,45	87,1