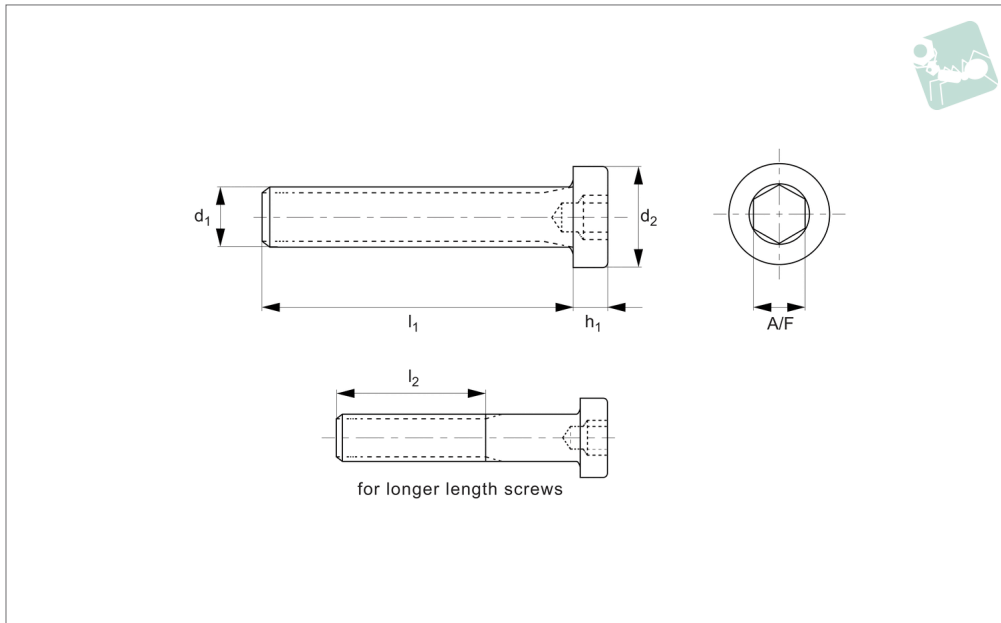




Thin Cylindrical Head Cap Screws

DIN 6912, Titanium G2

Titanium



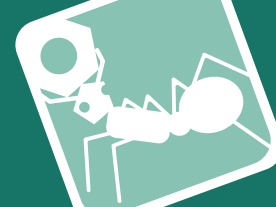
T0004.T2

TITANIUM

Material
Titanium G2.

Technical Notes
To DIN 6912

Order No.	d ₁	l ₁	h	d ₂	l ₂	A/F
T0004.020-006-T2	M 2	6	1.8	3.8	-	1.5
T0004.020-008-T2	M 2	8	1.8	3.8	-	1.5
T0004.020-010-T2	M 2	10	1.8	3.8	-	1.5
T0004.020-015-T2	M 2	15	1.8	3.8	-	1.5
T0004.020-020-T2	M 2	20	1.8	3.8	-	1.5
T0004.020-025-T2	M 2	25	1.8	3.8	-	1.5
T0004.020-030-T2	M 2	30	1.8	3.8	-	1.5
T0004.020-035-T2	M 2	35	1.8	3.8	-	1.5
T0004.020-040-T2	M 2	40	1.8	3.8	-	1.5
T0004.025-006-T2	M2,5	6	1.8	3.8	-	1.5
T0004.025-008-T2	M2,5	8	1.8	3.8	-	1.5
T0004.025-010-T2	M2,5	10	1.8	3.8	-	1.5
T0004.025-015-T2	M2,5	15	1.8	3.8	-	1.5
T0004.025-020-T2	M2,5	20	1.8	3.8	-	1.5
T0004.025-025-T2	M2,5	25	1.8	3.8	-	1.5
T0004.025-030-T2	M2,5	30	1.8	3.8	-	1.5
T0004.025-035-T2	M2,5	35	1.8	3.8	-	1.5
T0004.025-040-T2	M2,5	40	1.8	3.8	-	1.5
T0004.030-010-T2	M 3	10	2.5	5.5	-	2.5
T0004.030-015-T2	M 3	15	2.5	5.5	12	2.5
T0004.030-020-T2	M 3	20	2.5	5.5	12	2.5
T0004.030-025-T2	M 3	25	2.5	5.5	12	2.5
T0004.030-030-T2	M 3	30	2.5	5.5	12	2.5
T0004.030-035-T2	M 3	35	2.5	5.5	12	2.5
T0004.030-040-T2	M 3	40	2.5	5.5	12	2.5
T0004.030-045-T2	M 3	45	2.5	5.5	12	2.5
T0004.030-050-T2	M 3	50	2.5	5.5	12	2.5
T0004.030-055-T2	M 3	55	2.5	5.5	12	2.5
T0004.030-060-T2	M 3	60	2.5	5.5	12	2.5
T0004.040-010-T2	M 4	10	2.8	7.0	-	3.0
T0004.040-015-T2	M 4	15	2.8	7.0	14	3.0
T0004.040-020-T2	M 4	20	2.8	7.0	14	3.0
T0004.040-025-T2	M 4	25	2.8	7.0	14	3.0
T0004.040-030-T2	M 4	30	2.8	7.0	14	3.0
T0004.040-035-T2	M 4	35	2.8	7.0	14	3.0



Order No.	d ₁	l ₁	h	d ₂	l ₂	A/F
T0004.040-040-T2	M 4	40	2.8	7.0	14	3.0
T0004.040-045-T2	M 4	45	2.8	7.0	14	3.0
T0004.040-050-T2	M 4	50	2.8	7.0	14	3.0
T0004.040-055-T2	M 4	55	2.8	7.0	14	3.0
T0004.040-060-T2	M 4	60	2.8	7.0	14	3.0
T0004.050-010-T2	M 5	10	3.5	8.5	-	4.0
T0004.050-015-T2	M 5	15	3.5	8.5	-	4.0
T0004.050-020-T2	M 5	20	3.5	8.5	16	4.0
T0004.050-025-T2	M 5	25	3.5	8.5	16	4.0
T0004.050-030-T2	M 5	30	3.5	8.5	16	4.0
T0004.050-035-T2	M 5	35	3.5	8.5	16	4.0
T0004.050-040-T2	M 5	40	3.5	8.5	16	4.0
T0004.050-045-T2	M 5	45	3.5	8.5	16	4.0
T0004.050-050-T2	M 5	50	3.5	8.5	16	4.0
T0004.050-055-T2	M 5	55	3.5	8.5	16	4.0
T0004.050-060-T2	M 5	60	3.5	8.5	16	4.0
T0004.060-006-T2	M 6	6	4.0	10.0	-	5.0
T0004.060-008-T2	M 6	8	4.0	10.0	-	5.0
T0004.060-010-T2	M 6	10	4.0	10.0	-	5.0
T0004.060-015-T2	M 6	15	4.0	10.0	-	5.0
T0004.060-016-T2	M 6	16	4.0	10.0	-	5.0
T0004.060-020-T2	M 6	20	4.0	10.0	18	5.0
T0004.060-025-T2	M 6	25	4.0	10.0	18	5.0
T0004.060-030-T2	M 6	30	4.0	10.0	18	5.0
T0004.060-035-T2	M 6	35	4.0	10.0	18	5.0
T0004.060-040-T2	M 6	40	4.0	10.0	18	5.0
T0004.060-045-T2	M 6	45	4.0	10.0	18	5.0
T0004.060-050-T2	M 6	50	4.0	10.0	18	5.0
T0004.060-055-T2	M 6	55	4.0	10.0	18	5.0
T0004.060-060-T2	M 6	60	4.0	10.0	18	5.0
T0004.060-065-T2	M 6	65	4.0	10.0	18	5.0
T0004.060-070-T2	M 6	70	4.0	10.0	18	5.0
T0004.060-075-T2	M 6	75	4.0	10.0	18	5.0
T0004.060-080-T2	M 6	80	4.0	10.0	18	5.0
T0004.060-085-T2	M 6	85	4.0	10.0	18	5.0
T0004.060-090-T2	M 6	90	4.0	10.0	18	5.0
T0004.060-095-T2	M 6	95	4.0	10.0	18	5.0
T0004.060-100-T2	M 6	100	4.0	10.0	18	5.0
T0004.060-110-T2	M 6	110	4.0	10.0	18	5.0
T0004.060-120-T2	M 6	120	4.0	10.0	18	5.0
T0004.060-130-T2	M 6	130	4.0	10.0	18	5.0
T0004.060-140-T2	M 6	140	4.0	10.0	18	5.0
T0004.060-150-T2	M 6	150	4.0	10.0	18	5.0
T0004.080-010-T2	M 8	10	5.0	13.0	22	6.0
T0004.080-015-T2	M 8	15	5.0	13.0	22	6.0
T0004.080-016-T2	M 8	16	5.0	13.0	22	6.0
T0004.080-020-T2	M 8	20	5.0	13.0	22	6.0
T0004.080-025-T2	M 8	25	5.0	13.0	22	6.0
T0004.080-030-T2	M 8	30	5.0	13.0	22	6.0
T0004.080-035-T2	M 8	35	5.0	13.0	22	6.0
T0004.080-040-T2	M 8	40	5.0	13.0	22	6.0
T0004.080-045-T2	M 8	45	5.0	13.0	22	6.0
T0004.080-050-T2	M 8	50	5.0	13.0	22	6.0
T0004.080-055-T2	M 8	55	5.0	13.0	22	6.0
T0004.080-060-T2	M 8	60	5.0	13.0	22	6.0
T0004.080-065-T2	M 8	65	5.0	13.0	22	6.0
T0004.080-070-T2	M 8	70	5.0	13.0	22	6.0
T0004.080-075-T2	M 8	75	5.0	13.0	22	6.0
T0004.080-080-T2	M 8	80	5.0	13.0	22	6.0
T0004.080-085-T2	M 8	85	5.0	13.0	22	6.0
T0004.080-090-T2	M 8	90	5.0	13.0	22	6.0
T0004.080-095-T2	M 8	95	5.0	13.0	22	6.0
T0004.080-100-T2	M 8	100	5.0	13.0	22	6.0
T0004.080-110-T2	M 8	110	5.0	13.0	22	6.0
T0004.080-120-T2	M 8	120	5.0	13.0	22	6.0
T0004.080-130-T2	M 8	130	5.0	13.0	-	6.0
T0004.080-140-T2	M 8	140	5.0	13.0	-	6.0
T0004.080-150-T2	M 8	150	5.0	13.0	-	6.0
T0004.100-015-T2	M10	15	6.5	16.0	26	8.0



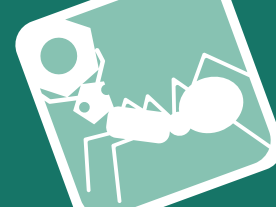
Thin Cylindrical Head Cap Screws

DIN 6912, Titanium G2

Titanium

Order No.	d ₁	l ₁	h	d ₂	l ₂	A/F
T0004.100-016-T2	M10	16	6.5	16.0	26	8.0
T0004.100-020-T2	M10	20	6.5	16.0	26	8.0
T0004.100-025-T2	M10	25	6.5	16.0	26	8.0
T0004.100-030-T2	M10	30	6.5	16.0	26	8.0
T0004.100-035-T2	M10	35	6.5	16.0	26	8.0
T0004.100-040-T2	M10	40	6.5	16.0	26	8.0
T0004.100-045-T2	M10	45	6.5	16.0	26	8.0
T0004.100-050-T2	M10	50	6.5	16.0	26	8.0
T0004.100-055-T2	M10	55	6.5	16.0	26	8.0
T0004.100-060-T2	M10	60	6.5	16.0	26	8.0
T0004.100-065-T2	M10	65	6.5	16.0	26	8.0
T0004.100-070-T2	M10	70	6.5	16.0	26	8.0
T0004.100-075-T2	M10	75	6.5	16.0	26	8.0
T0004.100-080-T2	M10	80	6.5	16.0	26	8.0
T0004.100-085-T2	M10	85	6.5	16.0	26	8.0
T0004.100-090-T2	M10	90	6.5	16.0	26	8.0
T0004.100-095-T2	M10	95	6.5	16.0	26	8.0
T0004.100-100-T2	M10	100	6.5	16.0	26	8.0
T0004.100-110-T2	M10	110	6.5	16.0	26	8.0
T0004.100-120-T2	M10	120	6.5	16.0	26	8.0
T0004.100-130-T2	M10	130	6.5	16.0	32	8.0
T0004.100-140-T2	M10	140	6.5	16.0	32	8.0
T0004.100-150-T2	M10	150	6.5	16.0	32	8.0
T0004.120-020-T2	M12	20	7.5	18.0	30	10.0
T0004.120-025-T2	M12	25	7.5	18.0	30	10.0
T0004.120-030-T2	M12	30	7.5	18.0	30	10.0
T0004.120-035-T2	M12	35	7.5	18.0	30	10.0
T0004.120-040-T2	M12	40	7.5	18.0	30	10.0
T0004.120-045-T2	M12	45	7.5	18.0	30	10.0
T0004.120-050-T2	M12	50	7.5	18.0	30	10.0
T0004.120-055-T2	M12	55	7.5	18.0	30	10.0
T0004.120-060-T2	M12	60	7.5	18.0	30	10.0
T0004.120-065-T2	M12	65	7.5	18.0	30	10.0
T0004.120-070-T2	M12	70	7.5	18.0	30	10.0
T0004.120-075-T2	M12	75	7.5	18.0	30	10.0
T0004.120-080-T2	M12	80	7.5	18.0	30	10.0
T0004.120-085-T2	M12	85	7.5	18.0	30	10.0
T0004.120-090-T2	M12	90	7.5	18.0	30	10.0
T0004.120-095-T2	M12	95	7.5	18.0	30	10.0
T0004.120-100-T2	M12	100	7.5	18.0	30	10.0
T0004.120-110-T2	M12	110	7.5	18.0	30	10.0
T0004.120-120-T2	M12	120	7.5	18.0	30	10.0
T0004.120-130-T2	M12	130	7.5	18.0	36	10.0
T0004.120-140-T2	M12	140	7.5	18.0	36	10.0
T0004.120-150-T2	M12	150	7.5	18.0	36	10.0
T0004.140-020-T2	M14	20	8.5	21.0	34	12.0
T0004.140-025-T2	M14	25	8.5	21.0	34	12.0
T0004.140-030-T2	M14	30	8.5	21.0	34	12.0
T0004.140-035-T2	M14	35	8.5	21.0	34	12.0
T0004.140-040-T2	M14	40	8.5	21.0	34	12.0
T0004.140-045-T2	M14	45	8.5	21.0	34	12.0
T0004.140-050-T2	M14	50	8.5	21.0	34	12.0
T0004.140-055-T2	M14	55	8.5	21.0	34	12.0
T0004.140-060-T2	M14	60	8.5	21.0	34	12.0
T0004.140-065-T2	M14	65	8.5	21.0	34	12.0
T0004.140-070-T2	M14	70	8.5	21.0	34	12.0
T0004.140-075-T2	M14	75	8.5	21.0	34	12.0
T0004.140-080-T2	M14	80	8.5	21.0	34	12.0
T0004.140-085-T2	M14	85	8.5	21.0	34	12.0
T0004.140-090-T2	M14	90	8.5	21.0	34	12.0
T0004.140-095-T2	M14	95	8.5	21.0	34	12.0
T0004.140-100-T2	M14	100	8.5	21.0	34	12.0
T0004.140-110-T2	M14	110	8.5	21.0	34	12.0
T0004.140-120-T2	M14	120	8.5	21.0	34	12.0
T0004.140-130-T2	M14	130	8.5	21.0	40	12.0
T0004.140-140-T2	M14	140	8.5	21.0	40	12.0
T0004.140-150-T2	M14	150	8.5	21.0	40	12.0
T0004.160-020-T2	M16	20	10.0	24.0	38	14.0
T0004.160-025-T2	M16	25	10.0	24.0	38	14.0

TITANIUM



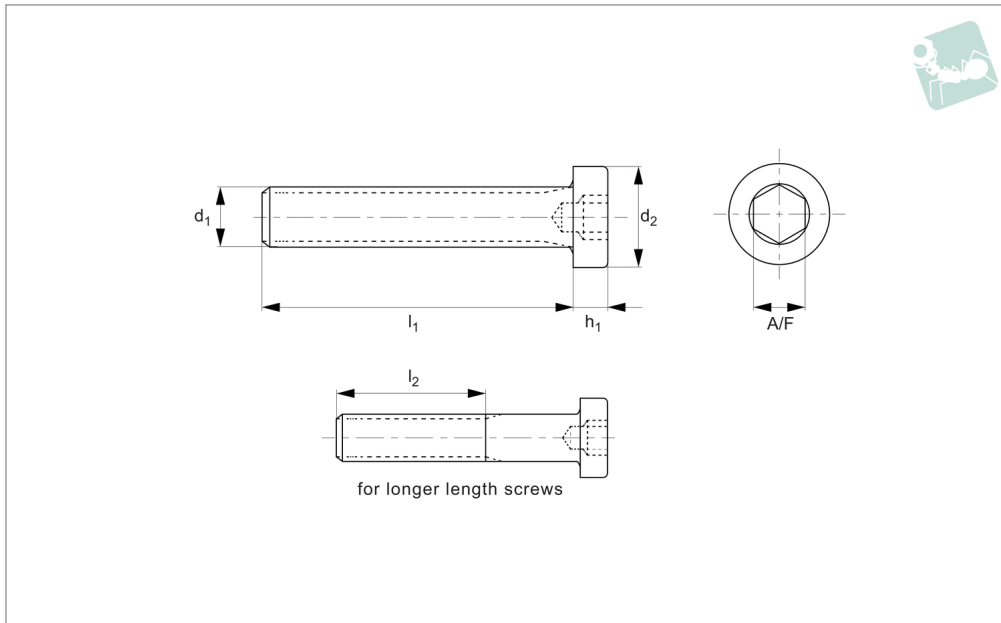
Order No.	d ₁	l ₁	h	d ₂	l ₂	A/F
T0004.160-030-T2	M16	30	10.0	24.0	38	14.0
T0004.160-035-T2	M16	35	10.0	24.0	38	14.0
T0004.160-040-T2	M16	40	10.0	24.0	38	14.0
T0004.160-045-T2	M16	45	10.0	24.0	38	14.0
T0004.160-050-T2	M16	50	10.0	24.0	38	14.0
T0004.160-055-T2	M16	55	10.0	24.0	38	14.0
T0004.160-060-T2	M16	60	10.0	24.0	38	14.0
T0004.160-065-T2	M16	65	10.0	24.0	38	14.0
T0004.160-070-T2	M16	70	10.0	24.0	38	14.0
T0004.160-075-T2	M16	75	10.0	24.0	38	14.0
T0004.160-080-T2	M16	80	10.0	24.0	38	14.0
T0004.160-085-T2	M16	85	10.0	24.0	38	14.0
T0004.160-090-T2	M16	90	10.0	24.0	38	14.0
T0004.160-095-T2	M16	95	10.0	24.0	38	14.0
T0004.160-100-T2	M16	100	10.0	24.0	38	14.0
T0004.160-110-T2	M16	110	10.0	24.0	38	14.0
T0004.160-120-T2	M16	120	10.0	24.0	38	14.0
T0004.160-130-T2	M16	130	10.0	24.0	44	14.0
T0004.160-140-T2	M16	140	10.0	24.0	44	14.0
T0004.160-160-T2	M16	160	10.0	24.0	44	14.0
T0004.200-020-T2	M20	20	12.0	30.0	46	17.0
T0004.200-025-T2	M20	25	12.0	30.0	46	17.0
T0004.200-030-T2	M20	30	12.0	30.0	46	17.0
T0004.200-035-T2	M20	35	12.0	30.0	46	17.0
T0004.200-040-T2	M20	40	12.0	30.0	46	17.0
T0004.200-045-T2	M20	45	12.0	30.0	46	17.0
T0004.200-050-T2	M20	50	12.0	30.0	46	17.0
T0004.200-055-T2	M20	55	12.0	30.0	46	17.0
T0004.200-060-T2	M20	60	12.0	30.0	46	17.0
T0004.200-065-T2	M20	65	12.0	30.0	46	17.0
T0004.200-070-T2	M20	70	12.0	30.0	46	17.0
T0004.200-075-T2	M20	75	12.0	30.0	46	17.0
T0004.200-080-T2	M20	80	12.0	30.0	46	17.0
T0004.200-085-T2	M20	85	12.0	30.0	46	17.0
T0004.200-090-T2	M20	90	12.0	30.0	46	17.0
T0004.200-095-T2	M20	95	12.0	30.0	46	17.0
T0004.200-100-T2	M20	100	12.0	30.0	46	17.0
T0004.200-110-T2	M20	110	12.0	30.0	46	17.0
T0004.200-120-T2	M20	120	12.0	30.0	46	17.0
T0004.200-130-T2	M20	130	12.0	30.0	52	17.0
T0004.200-140-T2	M20	140	12.0	30.0	52	17.0
T0004.200-200-T2	M20	200	12.0	30.0	52	17.0



Thin Cylindrical Head Cap Screws

DIN 6912, Titanium 5

Titanium



T0004.T5

TITANIUM

Material

Titanium 5 (6AL-4V).

Technical Notes

To DIN 6912

Order No.	d ₁	l ₁	d ₂	h ₁	l ₂	A/F
T0004.020-006-T5	M 2	6	3.8	1.8	-	1.5
T0004.020-008-T5	M 2	8	3.8	1.8	-	1.5
T0004.020-010-T5	M 2	10	3.8	1.8	-	1.5
T0004.020-015-T5	M 2	15	3.8	1.8	-	1.5
T0004.020-020-T5	M 2	20	3.8	1.8	-	1.5
T0004.020-025-T5	M 2	25	3.8	1.8	-	1.5
T0004.020-030-T5	M 2	30	3.8	1.8	-	1.5
T0004.020-035-T5	M 2	35	3.8	1.8	-	1.5
T0004.020-040-T5	M 2	40	3.8	1.8	-	1.5
T0004.025-006-T5	M2,5	6	3.8	1.8	-	1.5
T0004.025-008-T5	M2,5	8	3.8	1.8	-	1.5
T0004.025-010-T5	M2,5	10	3.8	1.8	-	1.5
T0004.025-015-T5	M2,5	15	3.8	1.8	-	1.5
T0004.025-020-T5	M2,5	20	3.8	1.8	-	1.5
T0004.025-025-T5	M2,5	25	3.8	1.8	-	1.5
T0004.025-030-T5	M2,5	30	3.8	1.8	-	1.5
T0004.025-035-T5	M2,5	35	3.8	1.8	-	1.5
T0004.025-040-T5	M2,5	40	3.8	1.8	-	1.5
T0004.030-010-T5	M 3	10	5.5	2.5	-	2.5
T0004.030-015-T5	M 3	15	5.5	2.5	12	2.5
T0004.030-020-T5	M 3	20	5.5	2.5	12	2.5
T0004.030-025-T5	M 3	25	5.5	2.5	12	2.5
T0004.030-030-T5	M 3	30	5.5	2.5	12	2.5
T0004.030-035-T5	M 3	35	5.5	2.5	12	2.5
T0004.030-040-T5	M 3	40	5.5	2.5	12	2.5
T0004.030-045-T5	M 3	45	5.5	2.5	12	2.5
T0004.030-050-T5	M 3	50	5.5	2.5	12	2.5
T0004.030-055-T5	M 3	55	5.5	2.5	12	2.5
T0004.030-060-T5	M 3	60	5.5	2.5	12	2.5
T0004.040-010-T5	M 4	10	7.0	2.8	-	3.0
T0004.040-015-T5	M 4	15	7.0	2.8	14	3.0
T0004.040-020-T5	M 4	20	7.0	2.8	14	3.0
T0004.040-025-T5	M 4	25	7.0	2.8	14	3.0
T0004.040-030-T5	M 4	30	7.0	2.8	14	3.0
T0004.040-035-T5	M 4	35	7.0	2.8	14	3.0



Order No.	d ₁	l ₁	d ₂	h ₁	l ₂	A/F
T0004.040-040-T5	M 4	40	7.0	2.8	14	3.0
T0004.040-045-T5	M 4	45	7.0	2.8	14	3.0
T0004.040-050-T5	M 4	50	7.0	2.8	14	3.0
T0004.040-055-T5	M 4	55	7.0	2.8	14	3.0
T0004.040-060-T5	M 4	60	7.0	2.8	14	3.0
T0004.050-010-T5	M 5	10	8.5	3.5	-	4.0
T0004.050-015-T5	M 5	15	8.5	3.5	-	4.0
T0004.050-020-T5	M 5	20	8.5	3.5	16	4.0
T0004.050-025-T5	M 5	25	8.5	3.5	16	4.0
T0004.050-030-T5	M 5	30	8.5	3.5	16	4.0
T0004.050-035-T5	M 5	35	8.5	3.5	16	4.0
T0004.050-040-T5	M 5	40	8.5	3.5	16	4.0
T0004.050-045-T5	M 5	45	8.5	3.5	16	4.0
T0004.050-050-T5	M 5	50	8.5	3.5	16	4.0
T0004.050-055-T5	M 5	55	8.5	3.5	16	4.0
T0004.050-060-T5	M 5	60	8.5	3.5	16	4.0
T0004.060-006-T5	M 6	6	10.0	4.0	-	5.0
T0004.060-008-T5	M 6	8	10.0	4.0	-	5.0
T0004.060-010-T5	M 6	10	10.0	4.0	-	5.0
T0004.060-015-T5	M 6	15	10.0	4.0	-	5.0
T0004.060-016-T5	M 6	16	10.0	4.0	-	5.0
T0004.060-020-T5	M 6	20	10.0	4.0	18	5.0
T0004.060-025-T5	M 6	25	10.0	4.0	18	5.0
T0004.060-030-T5	M 6	30	10.0	4.0	18	5.0
T0004.060-035-T5	M 6	35	10.0	4.0	18	5.0
T0004.060-040-T5	M 6	40	10.0	4.0	18	5.0
T0004.060-045-T5	M 6	45	10.0	4.0	18	5.0
T0004.060-050-T5	M 6	50	10.0	4.0	18	5.0
T0004.060-055-T5	M 6	55	10.0	4.0	18	5.0
T0004.060-060-T5	M 6	60	10.0	4.0	18	5.0
T0004.060-065-T5	M 6	65	10.0	4.0	18	5.0
T0004.060-070-T5	M 6	70	10.0	4.0	18	5.0
T0004.060-075-T5	M 6	75	10.0	4.0	18	5.0
T0004.060-080-T5	M 6	80	10.0	4.0	18	5.0
T0004.060-085-T5	M 6	85	10.0	4.0	18	5.0
T0004.060-090-T5	M 6	90	10.0	4.0	18	5.0
T0004.060-095-T5	M 6	95	10.0	4.0	18	5.0
T0004.060-100-T5	M 6	100	10.0	4.0	18	5.0
T0004.060-110-T5	M 6	110	10.0	4.0	18	5.0
T0004.060-120-T5	M 6	120	10.0	4.0	18	5.0
T0004.060-130-T5	M 6	130	10.0	4.0	18	5.0
T0004.060-140-T5	M 6	140	10.0	4.0	18	5.0
T0004.060-150-T5	M 6	150	10.0	4.0	18	5.0
T0004.080-010-T5	M 8	10	13.0	5.0	22	6.0
T0004.080-015-T5	M 8	15	13.0	5.0	22	6.0
T0004.080-016-T5	M 8	16	13.0	5.0	22	6.0
T0004.080-020-T5	M 8	20	13.0	5.0	22	6.0
T0004.080-025-T5	M 8	25	13.0	5.0	22	6.0
T0004.080-030-T5	M 8	30	13.0	5.0	22	6.0
T0004.080-035-T5	M 8	35	13.0	5.0	22	6.0
T0004.080-040-T5	M 8	40	13.0	5.0	22	6.0
T0004.080-045-T5	M 8	45	13.0	5.0	22	6.0
T0004.080-050-T5	M 8	50	13.0	5.0	22	6.0
T0004.080-055-T5	M 8	55	13.0	5.0	22	6.0
T0004.080-060-T5	M 8	60	13.0	5.0	22	6.0
T0004.080-065-T5	M 8	65	13.0	5.0	22	6.0
T0004.080-070-T5	M 8	70	13.0	5.0	22	6.0
T0004.080-075-T5	M 8	75	13.0	5.0	22	6.0
T0004.080-080-T5	M 8	80	13.0	5.0	22	6.0
T0004.080-085-T5	M 8	85	13.0	5.0	22	6.0
T0004.080-090-T5	M 8	90	13.0	5.0	22	6.0
T0004.080-095-T5	M 8	95	13.0	5.0	22	6.0
T0004.080-100-T5	M 8	100	13.0	5.0	22	6.0
T0004.080-110-T5	M 8	110	13.0	5.0	22	6.0
T0004.080-120-T5	M 8	120	13.0	5.0	22	6.0
T0004.080-130-T5	M 8	130	13.0	5.0	-	6.0
T0004.080-140-T5	M 8	140	13.0	5.0	-	6.0
T0004.080-150-T5	M 8	150	13.0	5.0	-	6.0
T0004.100-015-T5	M10	15	16.0	6.5	26	8.0



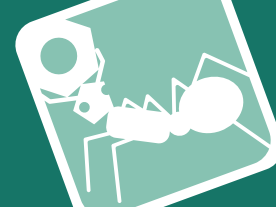
Thin Cylindrical Head Cap Screws

DIN 6912, Titanium 5

Titanium

Order No.	d ₁	l ₁	d ₂	h ₁	l ₂	A/F
T0004.100-016-T5	M10	16	16.0	6.5	26	8.0
T0004.100-020-T5	M10	20	16.0	6.5	26	8.0
T0004.100-025-T5	M10	25	16.0	6.5	26	8.0
T0004.100-030-T5	M10	30	16.0	6.5	26	8.0
T0004.100-035-T5	M10	35	16.0	6.5	26	8.0
T0004.100-040-T5	M10	40	16.0	6.5	26	8.0
T0004.100-045-T5	M10	45	16.0	6.5	26	8.0
T0004.100-050-T5	M10	50	16.0	6.5	26	8.0
T0004.100-055-T5	M10	55	16.0	6.5	26	8.0
T0004.100-060-T5	M10	60	16.0	6.5	26	8.0
T0004.100-065-T5	M10	65	16.0	6.5	26	8.0
T0004.100-070-T5	M10	70	16.0	6.5	26	8.0
T0004.100-075-T5	M10	75	16.0	6.5	26	8.0
T0004.100-080-T5	M10	80	16.0	6.5	26	8.0
T0004.100-085-T5	M10	85	16.0	6.5	26	8.0
T0004.100-090-T5	M10	90	16.0	6.5	26	8.0
T0004.100-095-T5	M10	95	16.0	6.5	26	8.0
T0004.100-100-T5	M10	100	16.0	6.5	26	8.0
T0004.100-110-T5	M10	110	16.0	6.5	26	8.0
T0004.100-120-T5	M10	120	16.0	6.5	26	8.0
T0004.100-130-T5	M10	130	16.0	6.5	32	8.0
T0004.100-140-T5	M10	140	16.0	6.5	32	8.0
T0004.100-150-T5	M10	150	16.0	6.5	32	8.0
T0004.120-020-T5	M12	20	18.0	7.5	30	10.0
T0004.120-025-T5	M12	25	18.0	7.5	30	10.0
T0004.120-030-T5	M12	30	18.0	7.5	30	10.0
T0004.120-035-T5	M12	35	18.0	7.5	30	10.0
T0004.120-040-T5	M12	40	18.0	7.5	30	10.0
T0004.120-045-T5	M12	45	18.0	7.5	30	10.0
T0004.120-050-T5	M12	50	18.0	7.5	30	10.0
T0004.120-055-T5	M12	55	18.0	7.5	30	10.0
T0004.120-060-T5	M12	60	18.0	7.5	30	10.0
T0004.120-065-T5	M12	65	18.0	7.5	30	10.0
T0004.120-070-T5	M12	70	18.0	7.5	30	10.0
T0004.120-075-T5	M12	75	18.0	7.5	30	10.0
T0004.120-080-T5	M12	80	18.0	7.5	30	10.0
T0004.120-085-T5	M12	85	18.0	7.5	30	10.0
T0004.120-090-T5	M12	90	18.0	7.5	30	10.0
T0004.120-095-T5	M12	95	18.0	7.5	30	10.0
T0004.120-100-T5	M12	100	18.0	7.5	30	10.0
T0004.120-110-T5	M12	110	18.0	7.5	30	10.0
T0004.120-120-T5	M12	120	18.0	7.5	30	10.0
T0004.120-130-T5	M12	130	18.0	7.5	36	10.0
T0004.120-140-T5	M12	140	18.0	7.5	36	10.0
T0004.120-150-T5	M12	150	18.0	7.5	36	10.0
T0004.140-020-T5	M14	20	21.0	8.5	34	12.0
T0004.140-025-T5	M14	25	21.0	8.5	34	12.0
T0004.140-030-T5	M14	30	21.0	8.5	34	12.0
T0004.140-035-T5	M14	35	21.0	8.5	34	12.0
T0004.140-040-T5	M14	40	21.0	8.5	34	12.0
T0004.140-045-T5	M14	45	21.0	8.5	34	12.0
T0004.140-050-T5	M14	50	21.0	8.5	34	12.0
T0004.140-055-T5	M14	55	21.0	8.5	34	12.0
T0004.140-060-T5	M14	60	21.0	8.5	34	12.0
T0004.140-065-T5	M14	65	21.0	8.5	34	12.0
T0004.140-070-T5	M14	70	21.0	8.5	34	12.0
T0004.140-075-T5	M14	75	21.0	8.5	34	12.0
T0004.140-080-T5	M14	80	21.0	8.5	34	12.0
T0004.140-085-T5	M14	85	21.0	8.5	34	12.0
T0004.140-090-T5	M14	90	21.0	8.5	34	12.0
T0004.140-095-T5	M14	95	21.0	8.5	34	12.0
T0004.140-100-T5	M14	100	21.0	8.5	34	12.0
T0004.140-110-T5	M14	110	21.0	8.5	34	12.0
T0004.140-120-T5	M14	120	21.0	8.5	34	12.0
T0004.140-130-T5	M14	130	21.0	8.5	40	12.0
T0004.140-140-T5	M14	140	21.0	8.5	40	12.0
T0004.140-150-T5	M14	150	21.0	8.5	40	12.0
T0004.160-020-T5	M16	20	24.0	10.0	38	14.0
T0004.160-025-T5	M16	25	24.0	10.0	38	14.0

TITANIUM



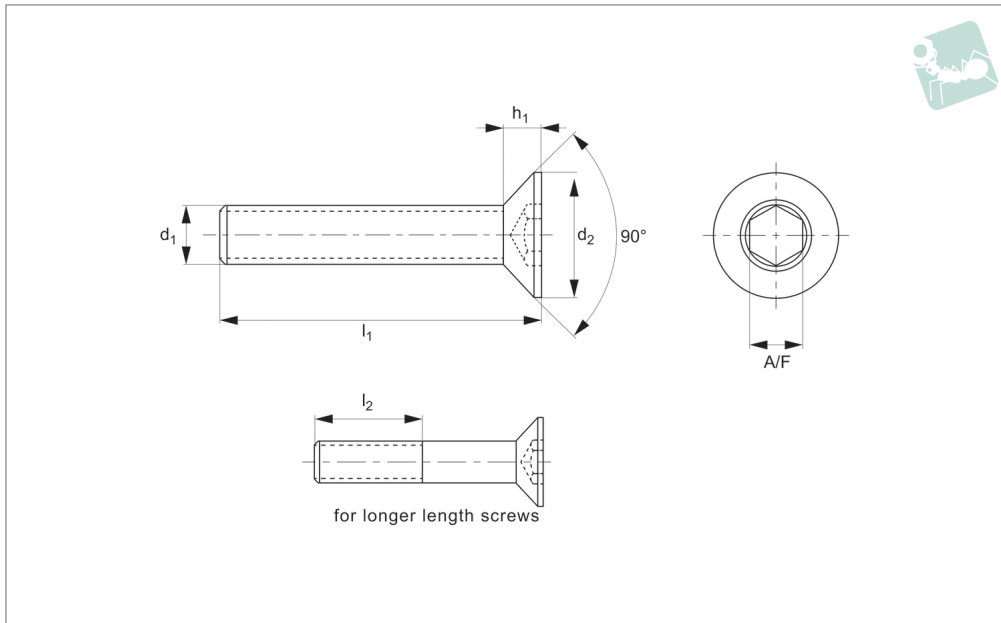
Order No.	d ₁	l ₁	d ₂	h ₁	l ₂	A/F
T0004.160-030-T5	M16	30	24.0	10.0	38	14.0
T0004.160-035-T5	M16	35	24.0	10.0	38	14.0
T0004.160-040-T5	M16	40	24.0	10.0	38	14.0
T0004.160-045-T5	M16	45	24.0	10.0	38	14.0
T0004.160-050-T5	M16	50	24.0	10.0	38	14.0
T0004.160-055-T5	M16	55	24.0	10.0	38	14.0
T0004.160-060-T5	M16	60	24.0	10.0	38	14.0
T0004.160-065-T5	M16	65	24.0	10.0	38	14.0
T0004.160-070-T5	M16	70	24.0	10.0	38	14.0
T0004.160-075-T5	M16	75	24.0	10.0	38	14.0
T0004.160-080-T5	M16	80	24.0	10.0	38	14.0
T0004.160-085-T5	M16	85	24.0	10.0	38	14.0
T0004.160-090-T5	M16	90	24.0	10.0	38	14.0
T0004.160-095-T5	M16	95	24.0	10.0	38	14.0
T0004.160-100-T5	M16	100	24.0	10.0	38	14.0
T0004.160-110-T5	M16	110	24.0	10.0	38	14.0
T0004.160-120-T5	M16	120	24.0	10.0	38	14.0
T0004.160-130-T5	M16	130	24.0	10.0	44	14.0
T0004.160-140-T5	M16	140	24.0	10.0	44	14.0
T0004.160-160-T5	M16	160	24.0	10.0	44	14.0
T0004.200-020-T5	M20	20	30.0	12.0	46	17.0
T0004.200-025-T5	M20	25	30.0	12.0	46	17.0
T0004.200-030-T5	M20	30	30.0	12.0	46	17.0
T0004.200-035-T5	M20	35	30.0	12.0	46	17.0
T0004.200-040-T5	M20	40	30.0	12.0	46	17.0
T0004.200-045-T5	M20	45	30.0	12.0	46	17.0
T0004.200-050-T5	M20	50	30.0	12.0	46	17.0
T0004.200-055-T5	M20	55	30.0	12.0	46	17.0
T0004.200-060-T5	M20	60	30.0	12.0	46	17.0
T0004.200-065-T5	M20	65	30.0	12.0	46	17.0
T0004.200-070-T5	M20	70	30.0	12.0	46	17.0
T0004.200-075-T5	M20	75	30.0	12.0	46	17.0
T0004.200-080-T5	M20	80	30.0	12.0	46	17.0
T0004.200-085-T5	M20	85	30.0	12.0	46	17.0
T0004.200-090-T5	M20	90	30.0	12.0	46	17.0
T0004.200-095-T5	M20	95	30.0	12.0	46	17.0
T0004.200-100-T5	M20	100	30.0	12.0	46	17.0
T0004.200-110-T5	M20	110	30.0	12.0	46	17.0
T0004.200-120-T5	M20	120	30.0	12.0	46	17.0
T0004.200-130-T5	M20	130	30.0	12.0	52	17.0
T0004.200-140-T5	M20	140	30.0	12.0	52	17.0
T0004.200-200-T5	M20	200	30.0	12.0	52	17.0



Hexagon Socket Head Csk Cap Screws

DIN 7991, titanium G2

Titanium



T0007.T2

TITANIUM

Material
Titanium G2.

Technical Notes
To DIN 7991

Order No.	Thread	l_1	d_2	h_1	l_2	A/F
T0007.030-010-T2	M 3	10.0	6.0	1.2	-	2.0
T0007.030-015-T2	M 3	15.0	6.0	1.2	12	2.0
T0007.030-020-T2	M 3	20.0	6.0	1.2	12	2.0
T0007.030-025-T2	M 3	25.0	6.0	1.2	12	2.0
T0007.030-030-T2	M 3	30.0	6.0	1.2	12	2.0
T0007.030-035-T2	M 3	35.0	6.0	1.2	12	2.0
T0007.030-040-T2	M 3	40.0	6.0	1.2	12	2.0
T0007.030-045-T2	M 3	45.0	6.0	1.2	12	2.0
T0007.030-050-T2	M 3	50.0	6.0	1.2	12	2.0
T0007.030-055-T2	M 3	55.0	6.0	1.2	12	2.0
T0007.030-060-T2	M 3	60.0	6.0	1.2	12	2.0
T0007.040-010-T2	M 4	10.0	8.0	1.8	-	2.5
T0007.040-015-T2	M 4	15.0	8.0	1.8	-	2.5
T0007.040-020-T2	M 4	20.0	8.0	1.8	14	2.5
T0007.040-025-T2	M 4	25.0	8.0	1.8	14	2.5
T0007.040-030-T2	M 4	30.0	8.0	1.8	14	2.5
T0007.040-035-T2	M 4	35.0	8.0	1.8	14	2.5
T0007.040-040-T2	M 4	40.0	8.0	1.8	14	2.5
T0007.040-045-T2	M 4	45.0	8.0	1.8	14	2.5
T0007.040-050-T2	M 4	50.0	8.0	1.8	14	2.5
T0007.040-055-T2	M 4	55.0	8.0	1.8	14	2.5
T0007.040-060-T2	M 4	60.0	8.0	1.8	14	2.5
T0007.050-010-T2	M 5	10.0	10.0	2.3	-	3.0
T0007.050-015-T2	M 5	15.0	10.0	2.3	-	3.0
T0007.050-020-T2	M 5	20.0	10.0	2.3	16	3.0
T0007.050-025-T2	M 5	25.0	10.0	2.3	16	3.0
T0007.050-030-T2	M 5	30.0	10.0	2.3	16	3.0
T0007.050-035-T2	M 5	35.0	10.0	2.3	16	3.0
T0007.050-040-T2	M 5	40.0	10.0	2.3	16	3.0
T0007.050-045-T2	M 5	45.0	10.0	2.3	16	3.0
T0007.050-050-T2	M 5	50.0	10.0	2.3	16	3.0
T0007.050-055-T2	M 5	55.0	10.0	2.3	16	3.0
T0007.050-060-T2	M 5	60.0	10.0	2.3	16	3.0
T0007.060-010-T2	M 6	10.0	12.0	2.5	-	4.0
T0007.060-015-T2	M 6	15.0	12.0	2.5	-	4.0



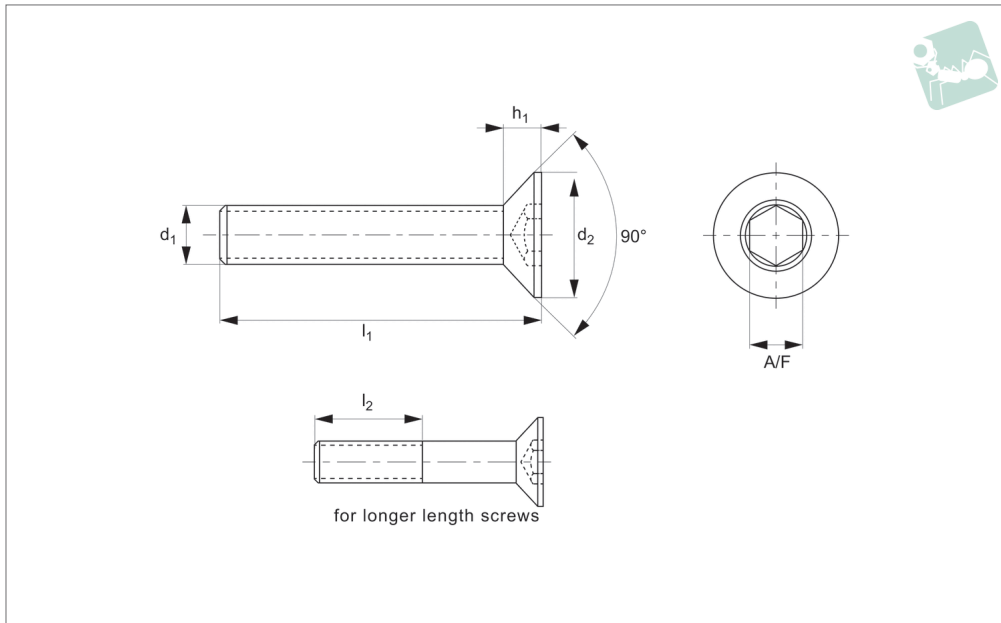
Order No.	Thread	l ₁	d ₂	h ₁	l ₂	A/F
T0007.060-020-T2	M 6	20.0	12.0	2.5	18	4.0
T0007.060-025-T2	M 6	25.0	12.0	2.5	18	4.0
T0007.060-030-T2	M 6	30.0	12.0	2.5	18	4.0
T0007.060-035-T2	M 6	35.0	12.0	2.5	18	4.0
T0007.060-040-T2	M 6	40.0	12.0	2.5	18	4.0
T0007.060-045-T2	M 6	45.0	12.0	2.5	18	4.0
T0007.060-050-T2	M 6	50.0	10.5	2.5	18	4
T0007.060-055-T2	M 6	55.0	10.5	2.5	18	4
T0007.060-060-T2	M 6	60.0	10.5	2.5	18	4
T0007.060-075-T2	M 6	75.0	10.5	2.5	18	4
T0007.060-080-T2	M 6	80.0	10.5	2.5	18	4
T0007.060-090-T2	M 6	90.0	10.5	2.5	18	4
T0007.080-010-T2	M 8	10.0	14.0	4.4	20	5
T0007.080-020-T2	M 8	20.0	14.0	4.4	20	5
T0007.080-025-T2	M 8	25.0	14.0	4.4	20	5
T0007.080-030-T2	M 8	30.0	14.0	4.4	20	5
T0007.080-035-T2	M 8	35.0	14.0	4.4	20	5
T0007.080-040-T2	M 8	40.0	14.0	4.4	20	5
T0007.080-045-T2	M 8	45.0	14.0	4.4	20	5
T0007.080-050-T2	M 8	50.0	14.0	4.4	20	5
T0007.080-055-T2	M 8	55.0	14.0	4.4	20	5
T0007.080-060-T2	M 8	60.0	14.0	4.4	20	5
T0007.080-065-T2	M 8	65.0	14.0	4.4	20	5
T0007.080-070-T2	M 8	70.0	14.0	4.4	20	5
T0007.080-080-T2	M 8	80.0	14.0	4.4	20	5
T0007.080-090-T2	M 8	90.0	14.0	4.4	20	5
T0007.080-100-T2	M 8	100.0	14.0	4.4	20	5
T0007.100-020-T2	M10	20.0	17.5	5.5	22	6
T0007.100-025-T2	M10	25.0	17.6	5.5	22	6
T0007.100-030-T2	M10	30.0	17.8	5.5	22	6
T0007.100-035-T2	M10	35.0	17.10	5.5	22	6
T0007.100-040-T2	M10	40.0	17.12	5.5	22	6
T0007.100-045-T2	M10	45.0	17.14	5.5	22	6
T0007.100-050-T2	M10	50.0	17.16	5.5	22	6
T0007.100-055-T2	M10	55.0	17.18	5.5	22	6
T0007.100-060-T2	M10	60.0	17.20	5.5	22	6
T0007.100-065-T2	M10	65.0	17.22	5.5	22	6
T0007.100-070-T2	M10	70.0	17.24	5.5	22	6
T0007.100-075-T2	M10	75.0	17.26	5.5	22	6
T0007.100-080-T2	M10	80.0	17.28	5.5	22	6
T0007.100-090-T2	M10	90.0	17.30	5.5	22	6
T0007.100-100-T2	M10	100.0	17.32	5.5	22	6
T0007.120-020-T2	M12	20.0	21.0	6.6	24	8
T0007.120-025-T2	M12	25.0	21.0	6.6	24	8
T0007.120-030-T2	M12	30.0	21.0	6.6	24	8
T0007.120-035-T2	M12	35.0	21.0	6.6	24	8
T0007.120-040-T2	M12	40.0	21.0	6.6	24	8
T0007.120-045-T2	M12	45.0	21.0	6.6	24	8
T0007.120-050-T2	M12	50.0	21.0	6.6	24	8
T0007.120-060-T2	M12	60.0	21.0	6.6	24	8
T0007.120-065-T2	M12	65.0	21.0	6.6	24	8
T0007.120-070-T2	M12	70.0	21.0	6.6	24	8
T0007.120-080-T2	M12	80.0	21.0	6.6	24	8
T0007.120-090-T2	M12	90.0	21.0	6.6	24	8
T0007.120-100-T2	M12	100.0	21.0	6.6	24	8



Hexagon Socket Head Csk Cap Screws

DIN 7991, titanium 5

Titanium



T0007.T5

TITANIUM

Material

Titanium 5 (6AL-4V).

Technical Notes

To DIN 7991

Order No.	Thread	l_1	d_2	h_1	l_2	A/F
T0007.030-010-T5	M 3	10.0	6.0	1.2	-	2.0
T0007.030-015-T5	M 3	15.0	6.0	1.2	12	2.0
T0007.030-020-T5	M 3	20.0	6.0	1.2	12	2.0
T0007.030-025-T5	M 3	25.0	6.0	1.2	12	2.0
T0007.030-030-T5	M 3	30.0	6.0	1.2	12	2.0
T0007.030-035-T5	M 3	35.0	6.0	1.2	12	2.0
T0007.030-040-T5	M 3	40.0	6.0	1.2	12	2.0
T0007.030-045-T5	M 3	45.0	6.0	1.2	12	2.0
T0007.030-050-T5	M 3	50.0	6.0	1.2	12	2.0
T0007.030-055-T5	M 3	55.0	6.0	1.2	12	2.0
T0007.030-060-T5	M 3	60.0	6.0	1.2	12	2.0
T0007.040-010-T5	M 4	10.0	8.0	1.8	-	2.5
T0007.040-015-T5	M 4	15.0	8.0	1.8	-	2.5
T0007.040-020-T5	M 4	20.0	8.0	1.8	14	2.5
T0007.040-025-T5	M 4	25.0	8.0	1.8	14	2.5
T0007.040-030-T5	M 4	30.0	8.0	1.8	14	2.5
T0007.040-035-T5	M 4	35.0	8.0	1.8	14	2.5
T0007.040-040-T5	M 4	40.0	8.0	1.8	14	2.5
T0007.040-045-T5	M 4	45.0	8.0	1.8	14	2.5
T0007.040-050-T5	M 4	50.0	8.0	1.8	14	2.5
T0007.040-055-T5	M 4	55.0	8.0	1.8	14	2.5
T0007.040-060-T5	M 4	60.0	8.0	1.8	14	2.5
T0007.050-010-T5	M 5	10.0	10.0	2.3	-	3.0
T0007.050-015-T5	M 5	15.0	10.0	2.3	-	3.0
T0007.050-020-T5	M 5	20.0	10.0	2.3	16	3.0
T0007.050-025-T5	M 5	25.0	10.0	2.3	16	3.0
T0007.050-030-T5	M 5	30.0	10.0	2.3	16	3.0
T0007.050-035-T5	M 5	35.0	10.0	2.3	16	3.0
T0007.050-040-T5	M 5	40.0	10.0	2.3	16	3.0
T0007.050-045-T5	M 5	45.0	10.0	2.3	16	3.0
T0007.050-050-T5	M 5	50.0	10.0	2.3	16	3.0
T0007.050-055-T5	M 5	55.0	10.0	2.3	16	3.0
T0007.050-060-T5	M 5	60.0	10.0	2.3	16	3.0
T0007.060-010-T5	M 6	10.0	12.0	2.5	-	4.0
T0007.060-015-T5	M 6	15.0	12.0	2.5	-	4.0



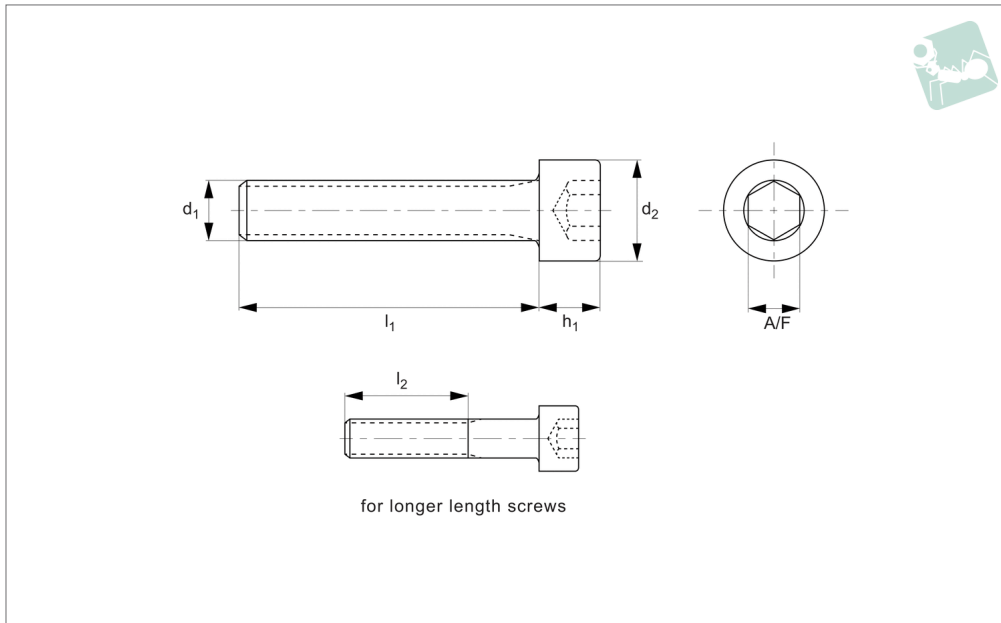
Order No.	Thread	l ₁	d ₂	h ₁	l ₂	A/F
T0007.060-020-T5	M 6	20.0	12.0	2.5	18	4.0
T0007.060-025-T5	M 6	25.0	12.0	2.5	18	4.0
T0007.060-030-T5	M 6	30.0	12.0	2.5	18	4.0
T0007.060-035-T5	M 6	35.0	12.0	2.5	18	4.0
T0007.060-040-T5	M 6	40.0	12.0	2.5	18	4.0
T0007.060-050-T5	M 6	50.0	10.5	2.5	18	4
T0007.060-055-T5	M 6	55.0	10.5	2.5	18	4
T0007.060-060-T5	M 6	60.0	10.5	2.5	18	4
T0007.060-075-T5	M 6	75.0	10.5	2.5	18	4
T0007.060-080-T5	M 6	80.0	10.5	2.5	18	4
T0007.060-090-T5	M 6	90.0	10.5	2.5	18	4
T0007.080-010-T5	M 8	10.0	14.0	4.4	20	5
T0007.080-020-T5	M 8	20.0	14.0	4.4	20	5
T0007.080-025-T5	M 8	25.0	14.0	4.4	20	5
T0007.080-030-T5	M 8	30.0	14.0	4.4	20	5
T0007.080-035-T5	M 8	35.0	14.0	4.4	20	5
T0007.080-040-T5	M 8	40.0	14.0	4.4	20	5
T0007.080-045-T5	M 8	45.0	14.0	4.4	20	5
T0007.080-050-T5	M 8	50.0	14.0	4.4	20	5
T0007.080-055-T5	M 8	55.0	14.0	4.4	20	5
T0007.080-060-T5	M 8	60.0	14.0	4.4	20	5
T0007.080-065-T5	M 8	65.0	14.0	4.4	20	5
T0007.080-070-T5	M 8	70.0	14.0	4.4	20	5
T0007.080-080-T5	M 8	80.0	14.0	4.4	20	5
T0007.080-090-T5	M 8	90.0	14.0	4.4	20	5
T0007.080-100-T5	M 8	100.0	14.0	4.4	20	5
T0007.100-020-T5	M10	20.0	17.5	5.5	22	6
T0007.100-025-T5	M10	25.0	17.6	5.5	22	6
T0007.100-030-T5	M10	30.0	17.8	5.5	22	6
T0007.100-035-T5	M10	35.0	17.10	5.5	22	6
T0007.100-040-T5	M10	40.0	17.12	5.5	22	6
T0007.100-045-T5	M10	45.0	17.14	5.5	22	6
T0007.100-050-T5	M10	50.0	17.16	5.5	22	6
T0007.100-055-T5	M10	55.0	17.18	5.5	22	6
T0007.100-060-T5	M10	60.0	17.20	5.5	22	6
T0007.100-065-T5	M10	65.0	17.22	5.5	22	6
T0007.100-070-T5	M10	70.0	17.24	5.5	22	6
T0007.100-075-T5	M10	75.0	17.26	5.5	22	6
T0007.100-080-T5	M10	80.0	17.28	5.5	22	6
T0007.100-090-T5	M10	90.0	17.30	5.5	22	6
T0007.100-100-T5	M10	100.0	17.32	5.5	22	6
T0007.120-020-T5	M12	20.0	21.0	6.6	24	8
T0007.120-025-T5	M12	25.0	21.0	6.6	24	8
T0007.120-030-T5	M12	30.0	21.0	6.6	24	8
T0007.120-035-T5	M12	35.0	21.0	6.6	24	8
T0007.120-040-T5	M12	40.0	21.0	6.6	24	8
T0007.120-045-T5	M12	45.0	21.0	6.6	24	8
T0007.120-050-T5	M12	50.0	21.0	6.6	24	8
T0007.120-055-T5	M12	55.0	21.0	6.6	24	8
T0007.120-060-T5	M12	60.0	21.0	6.6	24	8
T0007.120-065-T5	M12	65.0	21.0	6.6	24	8
T0007.120-070-T5	M12	70.0	21.0	6.6	24	8
T0007.120-075-T5	M12	75.0	21.0	6.6	24	8
T0007.120-080-T5	M12	80.0	21.0	6.6	24	8
T0007.120-090-T5	M12	90.0	21.0	6.6	24	8
T0007.120-100-T5	M12	100.0	21.0	6.6	24	8



Socket Cap Screw - M2 - M8

DIN 912 Gr.5

Titanium



T0010.91T.3

TITANIUM

Material

Titanium Grade 5 (aerospace grade Ti 6Al-4V Titanium alloy, good strength to weight ratio, corrosion resistant).

Technical Notes

Items to DIN 912 where stated in data

table.

For the majority of screw lengths the threads goes all the way to the head of the screw (i.e. $l_1 = l_2$) less 2.5 thread pitches.

For longer length screws the threaded portion $l_2 < l_1$.

Order No.	d ₁	l ₁	d ₂	h ₁	l ₂	A/F	Finish	Material
91T.020.0060.5AD	M 2	6	4.0	2.0	-	2	Natural	Ti-G5
91T.020.0080.5AD	M 2	8	4.0	2.0	-	2	Natural	Ti-G5
91T.020.0100.5AD	M 2	10	4.0	2.0	-	2	Natural	Ti-G5
91T.020.0120.5AD	M 2	12	4.0	2.0	-	2	Natural	Ti-G5
91T.020.0150.5AD	M 2	15	4.0	2.0	-	2	Natural	Ti-G5
91T.020.0160.5AD	M 2	16	4.0	2.0	-	2	Natural	Ti-G5
91T.020.0200.5AD	M 2	20	4.0	2.0	18.0	2	Natural	Ti-G5
91T.020.0250.5AD	M 2	25	4.0	2.0	18.0	2	Natural	Ti-G5
91T.020.0300.5AD	M 2	30	4.0	2.0	18.0	2	Natural	Ti-G5
91T.025.0060.5AD	M2,5	6	5.0	2.5	-	2	Natural	Ti-G5
91T.025.0080.5AD	M2,5	8	5.0	2.5	-	2	Natural	Ti-G5
91T.025.0100.5AD	M2,5	10	5.0	2.5	-	2	Natural	Ti-G5
91T.025.0120.5AD	M2,5	12	5.0	2.5	-	2	Natural	Ti-G5
91T.025.0150.5AD	M2,5	15	5.0	2.5	-	2	Natural	Ti-G5
91T.025.0160.5AD	M2,5	16	5.0	2.5	-	2	Natural	Ti-G5
91T.025.0200.5AD	M2,5	20	5.0	2.5	18.5	2	Natural	Ti-G5
91T.025.0250.5AD	M2,5	25	5.0	2.5	18.5	2	Natural	Ti-G5
91T.025.0300.5AD	M2,5	30	5.0	2.5	18.5	2	Natural	Ti-G5
91T.025.0350.5AD	M2,5	35	5.0	2.5	18.5	2	Natural	Ti-G5
91T.025.0400.5AD	M2,5	40	5.0	2.5	18.5	2	Natural	Ti-G5
91T.030.0060.5AD	M 3	6	5.5	3.0	-	2	Natural	Ti-G5
91T.030.0080.5AD	M 3	8	5.5	3.0	-	2	Natural	Ti-G5
91T.030.0100.5AD	M 3	10	5.5	3.0	-	2	Natural	Ti-G5
91T.030.0120.5AD	M 3	12	5.5	3.0	-	2	Natural	Ti-G5
91T.030.0150.5AD	M 3	15	5.5	3.0	-	2	Natural	Ti-G5
91T.030.0160.5AD	M 3	16	5.5	3.0	-	2	Natural	Ti-G5
91T.030.0200.5AD	M 3	20	5.5	3.0	19.0	2	Natural	Ti-G5
91T.030.0250.5AD	M 3	25	5.5	3.0	19.0	2	Natural	Ti-G5
91T.030.0300.5AD	M 3	30	5.5	3.0	19.0	2	Natural	Ti-G5
91T.030.0350.5AD	M 3	35	5.5	3.0	19.0	2	Natural	Ti-G5
91T.030.0400.5AD	M 3	40	5.5	3.0	19.0	2	Natural	Ti-G5
91T.030.0450.5AD	M 3	45	5.5	3.0	19.0	2	Natural	Ti-G5



Order No.	d ₁	l ₁	d ₂	h ₁	l ₂	A/F	Finish	Material
91T.030.0500.5AD	M 3	50	5.5	3.0	19.0	2	Natural	Ti-G5
91T.030.0550.5AD	M 3	55	5.5	3.0	19.0	2	Natural	Ti-G5
91T.030.0600.5AD	M 3	60	5.5	3.0	19.0	2	Natural	Ti-G5
91T.040.0060.5AD	M 4	6	7.0	4.0	-	3	Natural	Ti-G5
91T.040.0080.5AD	M 4	8	7.0	4.0	-	3	Natural	Ti-G5
91T.040.0100.5AD	M 4	10	7.0	4.0	-	3	Natural	Ti-G5
91T.040.0120.5AD	M 4	12	7.0	4.0	-	3	Natural	Ti-G5
91T.040.0150.5AD	M 4	15	7.0	4.0	-	3	Natural	Ti-G5
91T.040.0160.5AD	M 4	16	7.0	4.0	-	3	Natural	Ti-G5
91T.040.0200.5AD	M 4	20	7.0	4.0	20.0	3	Natural	Ti-G5
91T.040.0250.5AD	M 4	25	7.0	4.0	20.0	3	Natural	Ti-G5
91T.040.0300.5AD	M 4	30	7.0	4.0	20.0	3	Natural	Ti-G5
91T.040.0350.5AD	M 4	35	7.0	4.0	20.0	3	Natural	Ti-G5
91T.040.0400.5AD	M 4	40	7.0	4.0	20.0	3	Natural	Ti-G5
91T.040.0450.5AD	M 4	45	7.0	4.0	20.0	3	Natural	Ti-G5
91T.040.0500.5AD	M 4	50	7.0	4.0	20.0	3	Natural	Ti-G5
91T.040.0550.5AD	M 4	55	7.0	4.0	20.0	3	Natural	Ti-G5
91T.040.0600.5AD	M 4	60	7.0	4.0	20.0	3	Natural	Ti-G5
91T.040.0650.5AD	M 4	65	7.0	4.0	20.0	3	Natural	Ti-G5
91T.040.0700.5AD	M 4	70	7.0	4.0	20.0	3	Natural	Ti-G5
91T.040.0750.5AD	M 4	75	7.0	4.0	20.0	3	Natural	Ti-G5
91T.040.0800.5AD	M 4	80	7.0	4.0	20.0	3	Natural	Ti-G5
91T.050.0060.5AD	M 5	6	8.5	5.0	-	4	Natural	Ti-G5
91T.050.0080.5AD	M 5	8	8.5	5.0	-	4	Natural	Ti-G5
91T.050.0100.5AD	M 5	10	8.5	5.0	-	4	Natural	Ti-G5
91T.050.0120.5AD	M 5	12	8.5	5.0	-	4	Natural	Ti-G5
91T.050.0150.5AD	M 5	15	8.5	5.0	-	4	Natural	Ti-G5
91T.050.0160.5AD	M 5	16	8.5	5.0	-	4	Natural	Ti-G5
91T.050.0200.5AD	M 5	20	8.5	5.0	-	4	Natural	Ti-G5
91T.050.0250.5AD	M 5	25	8.5	5.0	22.0	4	Natural	Ti-G5
91T.050.0300.5AD	M 5	30	8.5	5.0	22.0	4	Natural	Ti-G5
91T.050.0350.5AD	M 5	35	8.5	5.0	22.0	4	Natural	Ti-G5
91T.050.0400.5AD	M 5	40	8.5	5.0	22.0	4	Natural	Ti-G5
91T.050.0450.5AD	M 5	45	8.5	5.0	22.0	4	Natural	Ti-G5
91T.050.0500.5AD	M 5	50	8.5	5.0	22.0	4	Natural	Ti-G5
91T.050.0550.5AD	M 5	55	8.5	5.0	22.0	4	Natural	Ti-G5
91T.050.0600.5AD	M 5	60	8.5	5.0	22.0	4	Natural	Ti-G5
91T.050.0650.5AD	M 5	65	8.5	5.0	22.0	4	Natural	Ti-G5
91T.050.0700.5AD	M 5	70	8.5	5.0	22.0	4	Natural	Ti-G5
91T.050.0750.5AD	M 5	75	8.5	5.0	22.0	4	Natural	Ti-G5
91T.050.0800.5AD	M 5	80	8.5	5.0	22.0	4	Natural	Ti-G5
91T.050.0850.5AD	M 5	85	8.5	5.0	22.0	4	Natural	Ti-G5
91T.050.0900.5AD	M 5	90	8.5	5.0	22.0	4	Natural	Ti-G5
91T.050.0950.5AD	M 5	95	8.5	5.0	22.0	4	Natural	Ti-G5
91T.050.1000.5AD	M 5	100	8.5	5.0	22.0	4	Natural	Ti-G5
91T.060.0060.5AD	M 6	6	10.0	6.0	-	5	Natural	Ti-G5
91T.060.0080.5AD	M 6	8	10.0	6.0	-	5	Natural	Ti-G5
91T.060.0100.5AD	M 6	10	10.0	6.0	-	5	Natural	Ti-G5
91T.060.0120.5AD	M 6	12	10.0	6.0	-	5	Natural	Ti-G5
91T.060.0150.5AD	M 6	15	10.0	6.0	-	5	Natural	Ti-G5
91T.060.0160.5AD	M 6	16	10.0	6.0	-	5	Natural	Ti-G5
91T.060.0200.5AD	M 6	20	10.0	6.0	-	5	Natural	Ti-G5
91T.060.0250.5AD	M 6	25	10.0	6.0	24.0	5	Natural	Ti-G5
91T.060.0300.5AD	M 6	30	10.0	6.0	24.0	5	Natural	Ti-G5
91T.060.0350.5AD	M 6	35	10.0	6.0	24.0	5	Natural	Ti-G5
91T.060.0400.5AD	M 6	40	10.0	6.0	24.0	5	Natural	Ti-G5
91T.060.0450.5AD	M 6	45	10.0	6.0	24.0	5	Natural	Ti-G5
91T.060.0500.5AD	M 6	50	10.0	6.0	24.0	5	Natural	Ti-G5
91T.060.0550.5AD	M 6	55	10.0	6.0	24.0	5	Natural	Ti-G5
91T.060.0600.5AD	M 6	60	10.0	6.0	24.0	5	Natural	Ti-G5
91T.060.0650.5AD	M 6	65	10.0	6.0	24.0	5	Natural	Ti-G5
91T.060.0700.5AD	M 6	70	10.0	6.0	24.0	5	Natural	Ti-G5
91T.060.0750.5AD	M 6	75	10.0	6.0	24.0	5	Natural	Ti-G5
91T.060.0800.5AD	M 6	80	10.0	6.0	24.0	5	Natural	Ti-G5
91T.060.0850.5AD	M 6	85	10.0	6.0	24.0	5	Natural	Ti-G5
91T.060.0900.5AD	M 6	90	10.0	6.0	24.0	5	Natural	Ti-G5
91T.060.0950.5AD	M 6	95	10.0	6.0	24.0	5	Natural	Ti-G5
91T.060.1000.5AD	M 6	100	10.0	6.0	24.0	5	Natural	Ti-G5
91T.060.1100.5AD	M 6	110	10.0	6.0	24.0	5	Natural	Ti-G5



Socket Cap Screw - M2 - M8

DIN 912 Gr.5

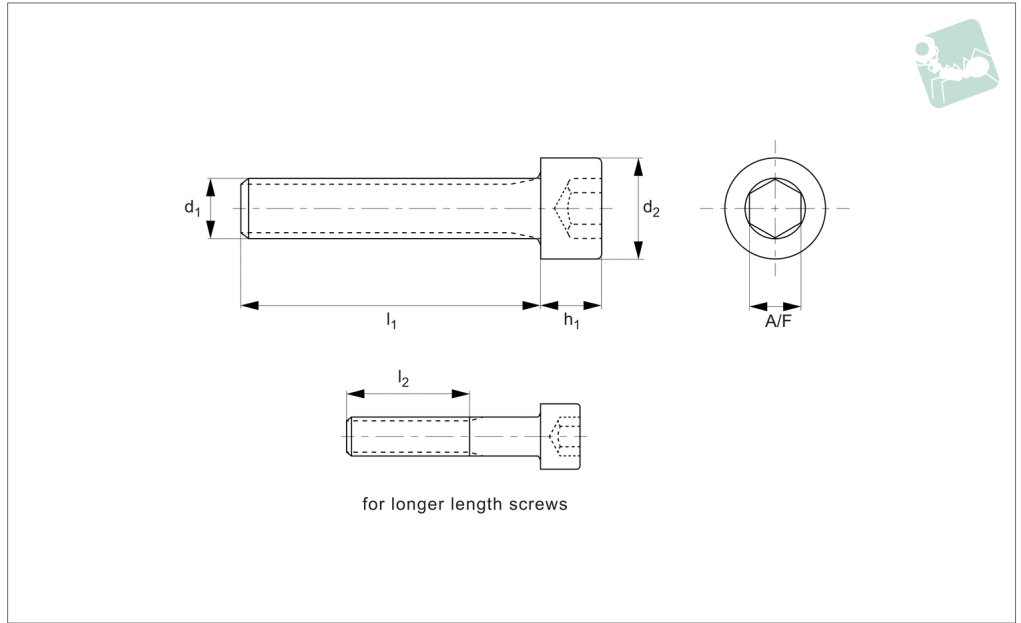
Titanium

Order No.	d ₁	l ₁	d ₂	h ₁	l ₂	A/F	Finish	Material
91T.060.1200.5AD	M 6	120	10.0	6.0	24.0	5	Natural	Ti-G5
91T.060.1300.5AD	M 6	130	10.0	6.0	24.0	5	Natural	Ti-G5
91T.060.1400.5AD	M 6	140	10.0	6.0	24.0	5	Natural	Ti-G5
91T.060.1500.5AD	M 6	150	10.0	6.0	24.0	5	Natural	Ti-G5
91T.080.0100.5AD	M 8	10	13.0	8.0	-	6	Natural	Ti-G5
91T.080.0120.5AD	M 8	12	13.0	8.0	-	6	Natural	Ti-G5
91T.080.0150.5AD	M 8	15	13.0	8.0	-	6	Natural	Ti-G5
91T.080.0160.5AD	M 8	16	13.0	8.0	-	6	Natural	Ti-G5
91T.080.0200.5AD	M 8	20	13.0	8.0	-	6	Natural	Ti-G5
91T.080.0250.5AD	M 8	25	13.0	8.0	-	6	Natural	Ti-G5
91T.080.0300.5AD	M 8	30	13.0	8.0	28.0	6	Natural	Ti-G5
91T.080.0350.5AD	M 8	35	13.0	8.0	28.0	6	Natural	Ti-G5
91T.080.0400.5AD	M 8	40	13.0	8.0	28.0	6	Natural	Ti-G5
91T.080.0450.5AD	M 8	45	13.0	8.0	28.0	6	Natural	Ti-G5
91T.080.0500.5AD	M 8	50	13.0	8.0	28.0	6	Natural	Ti-G5
91T.080.0550.5AD	M 8	55	13.0	8.0	28.0	6	Natural	Ti-G5
91T.080.0600.5AD	M 8	60	13.0	8.0	28.0	6	Natural	Ti-G5
91T.080.0650.5AD	M 8	65	13.0	8.0	28.0	6	Natural	Ti-G5
91T.080.0700.5AD	M 8	70	13.0	8.0	28.0	6	Natural	Ti-G5
91T.080.0750.5AD	M 8	75	13.0	8.0	28.0	6	Natural	Ti-G5

TITANIUM



T0010.91T.4



TITANIUM

Material

Titanium Grade 5 (aerospace grade Ti 6Al-4V Titanium alloy, good strength to weight ratio, corrosion resistant).

Technical Notes

Items to DIN 912 where stated in data

table.

For the majority of screw lengths the threads goes all the way to the head of the screw (i.e. $l_1 = l_2$) less 2.5 thread pitches.

For longer length screws the threaded portion $l_2 < l_1$.

Order No.	d ₁	l ₁	d ₂	h ₁	l ₂	A/F	Grade	Finish	Material	To standard
91T.080.0850.5AD	M 8	85	13	8	28	6	Aero	Natural	Ti-G5	DIN 912
91T.080.0900.5AD	M 8	90	13	8	28	6	Aero	Natural	Ti-G5	DIN 912
91T.080.0950.5AD	M 8	95	13	8	28	6	Aero	Natural	Ti-G5	DIN 912
91T.080.1000.5AD	M 8	100	13	8	28	6	Aero	Natural	Ti-G5	DIN 912
91T.080.1100.5AD	M 8	110	13	8	28	6	Aero	Natural	Ti-G5	DIN 912
91T.080.1200.5AD	M 8	120	13	8	28	6	Aero	Natural	Ti-G5	DIN 912
91T.080.1300.5AD	M 8	130	13	8	28	6	Aero	Natural	Ti-G5	DIN 912
91T.080.1400.5AD	M 8	140	13	8	28	6	Aero	Natural	Ti-G5	DIN 912
91T.080.1500.5AD	M 8	150	13	8	28	6	Aero	Natural	Ti-G5	DIN 912
91T.100.0150.5AD	M10	15	16	10	-	8	Aero	Natural	Ti-G5	DIN 912
91T.100.0160.5AD	M10	16	16	10	-	8	Aero	Natural	Ti-G5	DIN 912
91T.100.0200.5AD	M10	20	16	10	-	8	Aero	Natural	Ti-G5	DIN 912
91T.100.0250.5AD	M10	25	16	10	-	8	Aero	Natural	Ti-G5	DIN 912
91T.100.0300.5AD	M10	30	16	10	-	8	Aero	Natural	Ti-G5	DIN 912
91T.100.0350.5AD	M10	35	16	10	32	8	Aero	Natural	Ti-G5	DIN 912
91T.100.0400.5AD	M10	40	16	10	32	8	Aero	Natural	Ti-G5	DIN 912
91T.100.0450.5AD	M10	45	16	10	32	8	Aero	Natural	Ti-G5	DIN 912
91T.100.0500.5AD	M10	50	16	10	32	8	Aero	Natural	Ti-G5	DIN 912
91T.100.0550.5AD	M10	55	16	10	32	8	Aero	Natural	Ti-G5	DIN 912
91T.100.0600.5AD	M10	60	16	10	32	8	Aero	Natural	Ti-G5	DIN 912
91T.100.0650.5AD	M10	65	16	10	32	8	Aero	Natural	Ti-G5	DIN 912
91T.100.0700.5AD	M10	70	16	10	32	8	Aero	Natural	Ti-G5	DIN 912
91T.100.0750.5AD	M10	75	16	10	32	8	Aero	Natural	Ti-G5	DIN 912
91T.100.0800.5AD	M10	80	16	10	32	8	Aero	Natural	Ti-G5	DIN 912
91T.100.0850.5AD	M10	85	16	10	32	8	Aero	Natural	Ti-G5	DIN 912
91T.100.0900.5AD	M10	90	16	10	32	8	Aero	Natural	Ti-G5	DIN 912
91T.100.0950.5AD	M10	95	16	10	32	8	Aero	Natural	Ti-G5	DIN 912
91T.100.1000.5AD	M10	100	16	10	32	8	Aero	Natural	Ti-G5	DIN 912
91T.100.1100.5AD	M10	110	16	10	32	8	Aero	Natural	Ti-G5	DIN 912
91T.100.1200.5AD	M10	120	16	10	32	8	Aero	Natural	Ti-G5	DIN 912
91T.100.1300.5AD	M10	130	16	10	32	8	Aero	Natural	Ti-G5	DIN 912
91T.100.1400.5AD	M10	140	16	10	32	8	Aero	Natural	Ti-G5	DIN 912



Socket Cap Screw - M8 - M20

DIN 912 Gr.5

Titanium

Order No.	d ₁	l ₁	d ₂	h ₁	l ₂	A/F	Grade	Finish	Material	To standard
91T.100.1500.5AD	M10	150	16	10	32	8	Aero	Natural	Ti-G5	DIN 912
91T.120.0200.5AD	M12	20	19	12	34	10	Aero	Natural	Ti-G5	DIN 912
91T.120.0250.5AD	M12	25	19	12	34	10	Aero	Natural	Ti-G5	DIN 912
91T.120.0300.5AD	M12	30	19	12	34	10	Aero	Natural	Ti-G5	DIN 912
91T.120.0350.5AD	M12	35	19	12	34	10	Aero	Natural	Ti-G5	DIN 912
91T.120.0400.5AD	M12	40	19	12	34	10	Aero	Natural	Ti-G5	DIN 912
91T.120.0450.5AD	M12	45	19	12	34	10	Aero	Natural	Ti-G5	DIN 912
91T.120.0500.5AD	M12	50	19	12	34	10	Aero	Natural	Ti-G5	DIN 912
91T.120.0550.5AD	M12	55	19	12	34	10	Aero	Natural	Ti-G5	DIN 912
91T.120.0600.5AD	M12	60	19	12	34	10	Aero	Natural	Ti-G5	DIN 912
91T.120.0650.5AD	M12	65	19	12	34	10	Aero	Natural	Ti-G5	DIN 912
91T.120.0700.5AD	M12	70	19	12	34	10	Aero	Natural	Ti-G5	DIN 912
91T.120.0750.5AD	M12	75	19	12	34	10	Aero	Natural	Ti-G5	DIN 912
91T.120.0800.5AD	M12	80	19	12	34	10	Aero	Natural	Ti-G5	DIN 912
91T.120.0850.5AD	M12	85	19	12	34	10	Aero	Natural	Ti-G5	DIN 912
91T.120.0900.5AD	M12	90	19	12	34	10	Aero	Natural	Ti-G5	DIN 912
91T.120.0950.5AD	M12	95	19	12	34	10	Aero	Natural	Ti-G5	DIN 912
91T.120.1000.5AD	M12	100	19	12	34	10	Aero	Natural	Ti-G5	DIN 912
91T.120.1100.5AD	M12	110	19	12	34	10	Aero	Natural	Ti-G5	DIN 912
91T.120.1200.5AD	M12	120	19	12	34	10	Aero	Natural	Ti-G5	DIN 912
91T.120.1300.5AD	M12	130	19	12	34	10	Aero	Natural	Ti-G5	DIN 912
91T.120.1400.5AD	M12	140	19	12	34	10	Aero	Natural	Ti-G5	DIN 912
91T.120.1500.5AD	M12	150	19	12	34	10	Aero	Natural	Ti-G5	DIN 912
91T.140.0200.5AD	M14	20	22	14	36	12	Aero	Natural	Ti-G5	DIN 912
91T.140.0250.5AD	M14	25	22	14	36	12	Aero	Natural	Ti-G5	DIN 912
91T.140.0300.5AD	M14	30	22	14	36	12	Aero	Natural	Ti-G5	DIN 912
91T.140.0350.5AD	M14	35	22	14	36	12	Aero	Natural	Ti-G5	DIN 912
91T.140.0400.5AD	M14	40	22	14	36	12	Aero	Natural	Ti-G5	DIN 912
91T.140.0450.5AD	M14	45	22	14	36	12	Aero	Natural	Ti-G5	DIN 912
91T.140.0500.5AD	M14	50	22	14	36	12	Aero	Natural	Ti-G5	DIN 912
91T.140.0550.5AD	M14	55	22	14	36	12	Aero	Natural	Ti-G5	DIN 912
91T.140.0600.5AD	M14	60	22	14	36	12	Aero	Natural	Ti-G5	DIN 912
91T.140.0650.5AD	M14	65	22	14	36	12	Aero	Natural	Ti-G5	DIN 912
91T.140.0700.5AD	M14	70	22	14	36	12	Aero	Natural	Ti-G5	DIN 912
91T.140.0750.5AD	M14	75	22	14	36	12	Aero	Natural	Ti-G5	DIN 912
91T.140.0800.5AD	M14	80	22	14	36	12	Aero	Natural	Ti-G5	DIN 912
91T.140.0850.5AD	M14	85	22	14	36	12	Aero	Natural	Ti-G5	DIN 912
91T.140.0900.5AD	M14	90	22	14	36	12	Aero	Natural	Ti-G5	DIN 912
91T.140.0950.5AD	M14	95	22	14	36	12	Aero	Natural	Ti-G5	DIN 912
91T.140.1000.5AD	M14	100	22	14	36	12	Aero	Natural	Ti-G5	DIN 912
91T.140.1100.5AD	M14	110	22	14	36	12	Aero	Natural	Ti-G5	DIN 912
91T.140.1200.5AD	M14	120	22	14	36	12	Aero	Natural	Ti-G5	DIN 912
91T.140.1300.5AD	M14	130	22	14	36	12	Aero	Natural	Ti-G5	DIN 912
91T.140.1400.5AD	M14	140	22	14	36	12	Aero	Natural	Ti-G5	DIN 912
91T.140.1500.5AD	M14	150	22	14	36	12	Aero	Natural	Ti-G5	DIN 912
91T.160.0200.5AD	M16	20	25	16	38	14	Aero	Natural	Ti-G5	DIN 912
91T.160.0250.5AD	M16	25	25	16	38	14	Aero	Natural	Ti-G5	DIN 912
91T.160.0300.5AD	M16	30	25	16	38	14	Aero	Natural	Ti-G5	DIN 912
91T.160.0350.5AD	M16	35	25	16	38	14	Aero	Natural	Ti-G5	DIN 912
91T.160.0400.5AD	M16	40	25	16	38	14	Aero	Natural	Ti-G5	DIN 912
91T.160.0450.5AD	M16	45	25	16	38	14	Aero	Natural	Ti-G5	DIN 912
91T.160.0500.5AD	M16	50	25	16	38	14	Aero	Natural	Ti-G5	DIN 912
91T.160.0550.5AD	M16	55	25	16	38	14	Aero	Natural	Ti-G5	DIN 912
91T.160.0600.5AD	M16	60	25	16	38	14	Aero	Natural	Ti-G5	DIN 912
91T.160.0650.5AD	M16	65	25	16	38	14	Aero	Natural	Ti-G5	DIN 912
91T.160.0700.5AD	M16	70	25	16	38	14	Aero	Natural	Ti-G5	DIN 912
91T.160.0750.5AD	M16	75	25	16	38	14	Aero	Natural	Ti-G5	DIN 912
91T.160.0800.5AD	M16	80	25	16	38	14	Aero	Natural	Ti-G5	DIN 912
91T.160.0850.5AD	M16	85	25	16	38	14	Aero	Natural	Ti-G5	DIN 912
91T.160.0900.5AD	M16	90	25	16	38	14	Aero	Natural	Ti-G5	DIN 912
91T.160.0950.5AD	M16	95	25	16	38	14	Aero	Natural	Ti-G5	DIN 912
91T.160.1000.5AD	M16	100	25	16	38	14	Aero	Natural	Ti-G5	DIN 912
91T.160.1100.5AD	M16	110	25	16	38	14	Aero	Natural	Ti-G5	DIN 912
91T.160.1200.5AD	M16	120	25	16	38	14	Aero	Natural	Ti-G5	DIN 912
91T.160.1300.5AD	M16	130	25	16	38	14	Aero	Natural	Ti-G5	DIN 912
91T.160.1400.5AD	M16	140	25	16	38	14	Aero	Natural	Ti-G5	DIN 912
91T.160.1500.5AD	M16	150	25	16	38	14	Aero	Natural	Ti-G5	DIN 912
91T.200.0200.5AD	M20	20	31	20	42	18	Aero	Natural	Ti-G5	DIN 912
91T.200.0250.5AD	M20	25	31	20	42	18	Aero	Natural	Ti-G5	DIN 912

TITANIUM



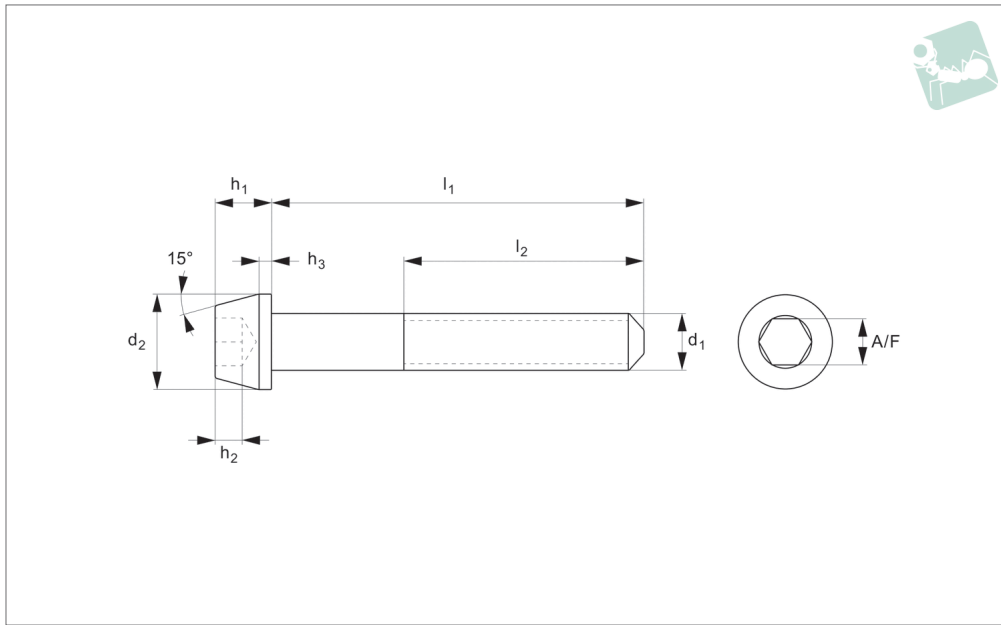
Order No.	d ₁	l ₁	d ₂	h ₁	l ₂	A/F	Grade	Finish	Material	To standard
91T.200.0300.5AD	M20	30	31	20	42	18	Aero	Natural	Ti-G5	DIN 912
91T.200.0350.5AD	M20	35	31	20	42	18	Aero	Natural	Ti-G5	DIN 912
91T.200.0400.5AD	M20	40	31	20	42	18	Aero	Natural	Ti-G5	DIN 912
91T.200.0450.5AD	M20	45	31	20	42	18	Aero	Natural	Ti-G5	DIN 912
91T.200.0500.5AD	M20	50	31	20	42	18	Aero	Natural	Ti-G5	DIN 912
91T.200.0550.5AD	M20	55	31	20	42	18	Aero	Natural	Ti-G5	DIN 912
91T.200.0600.5AD	M20	60	31	20	42	18	Aero	Natural	Ti-G5	DIN 912
91T.200.0650.5AD	M20	65	31	20	42	18	Aero	Natural	Ti-G5	DIN 912
91T.200.0700.5AD	M20	70	31	20	42	18	Aero	Natural	Ti-G5	DIN 912
91T.200.0750.5AD	M20	75	31	20	42	18	Aero	Natural	Ti-G5	DIN 912
91T.200.0800.5AD	M20	80	31	20	42	18	Aero	Natural	Ti-G5	DIN 912
91T.200.0850.5AD	M20	85	31	20	42	18	Aero	Natural	Ti-G5	DIN 912
91T.200.0900.5AD	M20	90	31	20	42	18	Aero	Natural	Ti-G5	DIN 912
91T.200.0950.5AD	M20	95	31	20	42	18	Aero	Natural	Ti-G5	DIN 912
91T.200.1000.5AD	M20	100	31	20	42	18	Aero	Natural	Ti-G5	DIN 912
91T.200.1100.5AD	M20	110	31	20	42	18	Aero	Natural	Ti-G5	DIN 912
91T.200.1200.5AD	M20	120	31	20	42	18	Aero	Natural	Ti-G5	DIN 912
91T.200.1300.5AD	M20	130	31	20	42	18	Aero	Natural	Ti-G5	DIN 912
91T.200.1400.5AD	M20	140	31	20	42	18	Aero	Natural	Ti-G5	DIN 912
91T.200.1500.5AD	M20	150	31	20	42	18	Aero	Natural	Ti-G5	DIN 912



Socket Tapered Cap Screw

titanium 5

Titanium



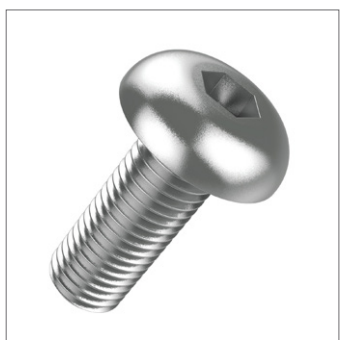
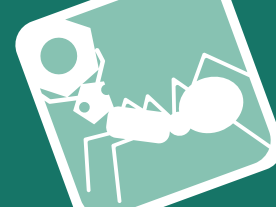
T0016.T5

TITANIUM

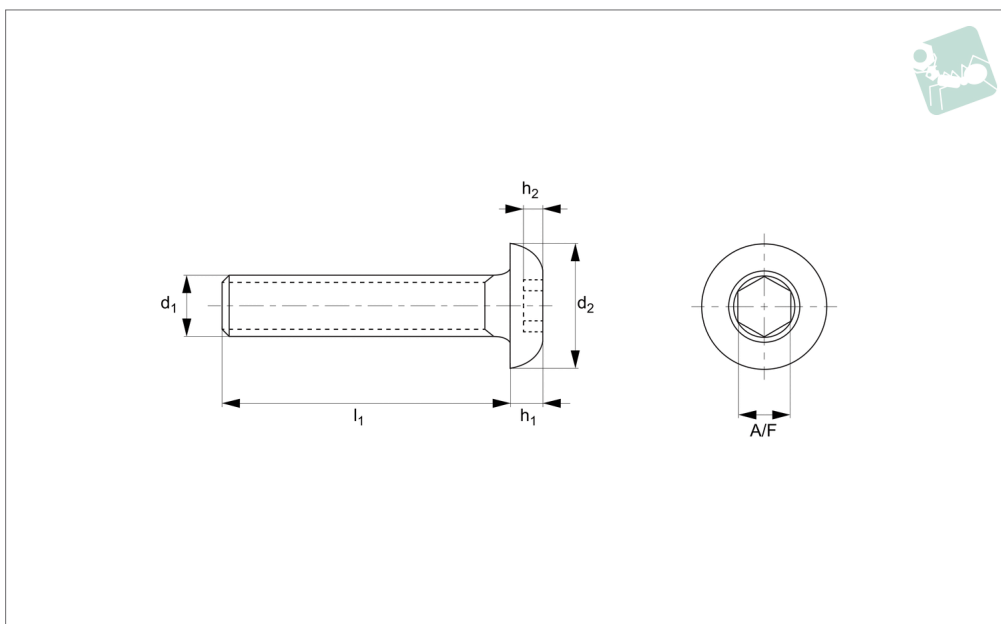
Material
Titanium 5 (6AL-4V).

Technical Notes
DIN 912

Order No.	Thread d_1	l_1	d_2	h_1	h_2	h_3	l_2	R	A/F	Material
T0016.030-030	M 3	30	5.5	3	1.3	1.0	18	0.1	2.5	Titanium 5
T0016.040-050	M 4	50	7.0	4	2.0	1.0	20	0.2	3.0	Titanium 5
T0016.050-060	M 5	60	8.5	5	2.5	1.3	22	0.2	4.0	Titanium 5
T0016.060-140	M 6	140	10.0	6	3.0	1.3	24	0.25	5.0	Titanium 5
T0016.070-140	M 7	140	12.0	7	3.5	1.7	26	0.3	5.0	Titanium 5
T0016.080-140	M 8	140	13.0	8	4.0	1.8	28	0.4	6.0	Titanium 5
T0016.100-140	M10	140	16.0	10	5.0	2.0	32	0.4	8.0	Titanium 5
T0016.120-140	M12	140	18.0	12	6.0	2.2	36	0.6	10.0	Titanium 5



T0019.T2



Material

Titanium G2.

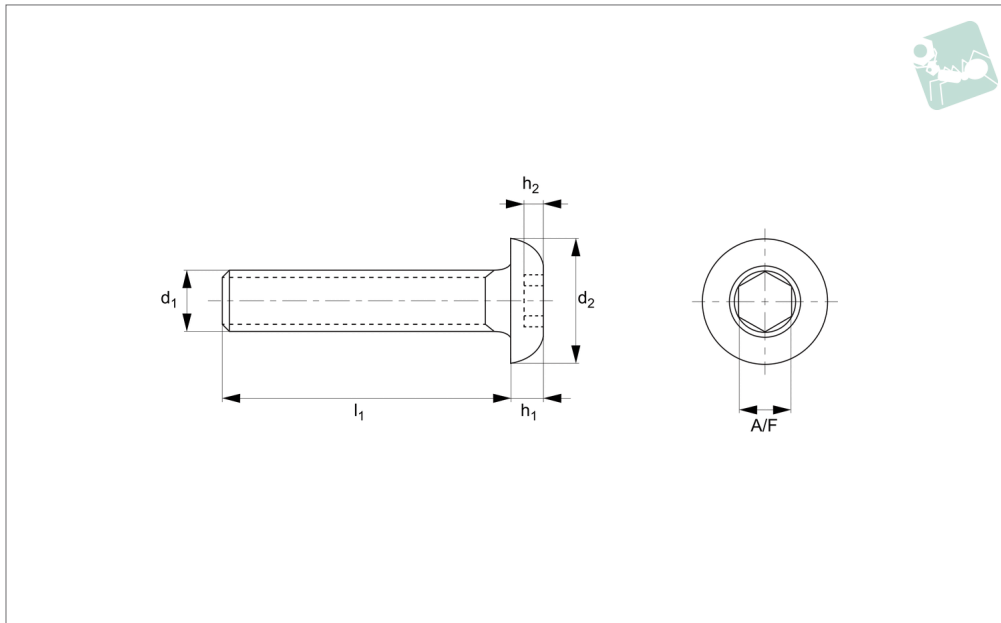
Order No.	Thread	l_1	d_2	h_1	h_2	A/F
T0019.050-016-T2-A	M 5	16.0	9.0	3.0	1.56	3.0
T0019.050-016-T2-B	M 5	16.0	10.5	3.0	1.56	3.0
T0019.050-025-T2-A	M 5	25.0	9.0	3.0	1.56	3.0
T0019.050-025-T2-B	M 5	25.0	10.5	3.0	1.56	3.0
T0019.060-016-T2-A	M 6	16.0	10.5	3.3	2.08	4.0
T0019.060-016-T2-B	M 6	16.0	16.0	3.3	2.08	4.0
T0019.060-025-T2-A	M 6	25.0	10.5	3.3	2.08	4.0
T0019.060-025-T2-B	M 6	25.0	16.0	3.3	2.08	4.0
T0019.080-020-T2-A	M 8	20.0	14.0	4.5	2.08	5.0
T0019.080-020-T2-B	M 8	20.0	16.0	4.5	2.08	5.0
T0019.080-030-T2-A	M 8	30.0	14.0	4.5	2.08	5.0
T0019.080-030-T2-B	M 8	30.0	16.0	4.5	2.08	5.0



Buttonhead Socket Cap Screw

ISO 7380, titanium 5

Titanium



T0019.T5

TITANIUM

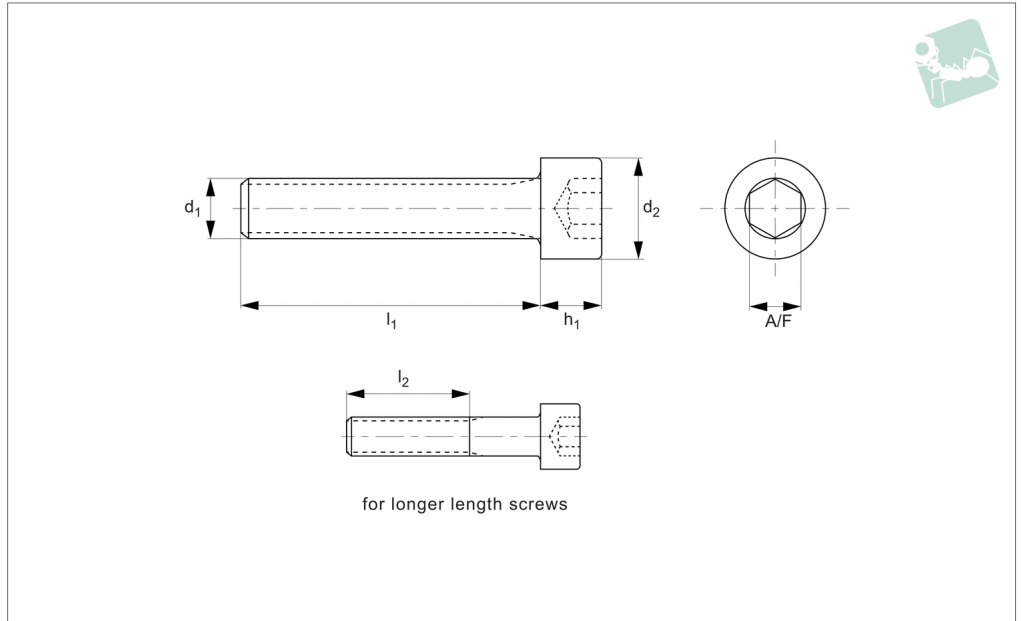
Material

Titanium 5 (6AL-4V).

Order No.	Thread	l_1	d_2	h_1	h_2	A/F
T0019.050-016-T5-A	M 5	16.0	9.0	3.0	1.56	3.0
T0019.050-016-T5-B	M 5	16.0	10.5	3.0	1.56	3.0
T0019.050-025-T5-A	M 5	25.0	9.0	3.0	1.56	3.0
T0019.050-025-T5-B	M 5	25.0	10.5	3.0	1.56	3.0
T0019.060-016-T5-A	M 6	16.0	10.5	3.3	2.08	4.0
T0019.060-016-T5-B	M 6	16.0	16.0	3.3	2.08	4.0
T0019.060-025-T5-A	M 6	25.0	10.5	3.3	2.08	4.0
T0019.060-025-T5-B	M 6	25.0	16.0	3.3	2.08	4.0
T0019.080-020-T5-A	M 8	20.0	14.0	4.5	2.08	5.0
T0019.080-020-T5-B	M 8	20.0	16.0	4.5	2.08	5.0
T0019.080-030-T5-A	M 8	30.0	14.0	4.5	2.08	5.0
T0019.080-030-T5-B	M 8	30.0	16.0	4.5	2.08	5.0



T0010.91T.1



TITANIUM

Material

Titanium Grade 2 (commercial grade, high corrosion resistance, strong weldability, standard strength).

Technical Notes

Items to DIN 912 where stated in data

table.

For the majority of screw lengths the threads goes all the way to the head of the screw (i.e. $l_1 = l_2$) less 2.5 thread pitches.

For longer length screws the threaded portion $l_2 < l_1$.

Order No.	Finish	d ₁	l ₁	d ₂	h ₁	l ₂	A/F	Grade	Material	To standard
91T.020.0060.2AD	Natural	M 2	6	4.0	2.0	-	2	Comm	Ti-G2	DIN 912
91T.020.0080.2AD	Natural	M 2	8	4.0	2.0	-	2	Comm	Ti-G2	DIN 912
91T.020.0100.2AD	Natural	M 2	10	4.0	2.0	-	2	Comm	Ti-G2	DIN 912
91T.020.0120.2AD	Natural	M 2	12	4.0	2.0	-	2	Comm	Ti-G2	DIN 912
91T.020.0150.2AD	Natural	M 2	15	4.0	2.0	-	2	Comm	Ti-G2	DIN 912
91T.020.0160.2AD	Natural	M 2	16	4.0	2.0	-	2	Comm	Ti-G2	DIN 912
91T.020.0200.2AD	Natural	M 2	20	4.0	2.0	18.0	2	Comm	Ti-G2	DIN 912
91T.020.0250.2AD	Natural	M 2	25	4.0	2.0	18.0	2	Comm	Ti-G2	DIN 912
91T.020.0300.2AD	Natural	M 2	30	4.0	2.0	18.0	2	Comm	Ti-G2	DIN 912
91T.025.0060.2AD	Natural	M2,5	6	5.0	2.5	-	2	Comm	Ti-G2	DIN 912
91T.025.0080.2AD	Natural	M2,5	8	5.0	2.5	-	2	Comm	Ti-G2	DIN 912
91T.025.0100.2AD	Natural	M2,5	10	5.0	2.5	-	2	Comm	Ti-G2	DIN 912
91T.025.0120.2AD	Natural	M2,5	12	5.0	2.5	-	2	Comm	Ti-G2	DIN 912
91T.025.0150.2AD	Natural	M2,5	15	5.0	2.5	-	2	Comm	Ti-G2	DIN 912
91T.025.0160.2AD	Natural	M2,5	16	5.0	2.5	-	2	Comm	Ti-G2	DIN 912
91T.025.0200.2AD	Natural	M2,5	20	5.0	2.5	18.5	2	Comm	Ti-G2	DIN 912
91T.025.0250.2AD	Natural	M2,5	25	5.0	2.5	18.5	2	Comm	Ti-G2	DIN 912
91T.025.0300.2AD	Natural	M2,5	30	5.0	2.5	18.5	2	Comm	Ti-G2	DIN 912
91T.025.0350.2AD	Natural	M2,5	35	5.0	2.5	18.5	2	Comm	Ti-G2	DIN 912
91T.025.0400.2AD	Natural	M2,5	40	5.0	2.5	18.5	2	Comm	Ti-G2	DIN 912
91T.030.0060.2AD	Natural	M 3	6	5.5	3.0	-	2	Comm	Ti-G2	DIN 912
91T.030.0080.2AD	Natural	M 3	8	5.5	3.0	-	2	Comm	Ti-G2	DIN 912
91T.030.0100.2AD	Natural	M 3	10	5.5	3.0	-	2	Comm	Ti-G2	DIN 912
91T.030.0120.2AD	Natural	M 3	12	5.5	3.0	-	2	Comm	Ti-G2	DIN 912
91T.030.0150.2AD	Natural	M 3	15	5.5	3.0	-	2	Comm	Ti-G2	DIN 912
91T.030.0160.2AD	Natural	M 3	16	5.5	3.0	-	2	Comm	Ti-G2	DIN 912
91T.030.0200.2AD	Natural	M 3	20	5.5	3.0	19.0	2	Comm	Ti-G2	DIN 912
91T.030.0250.2AD	Natural	M 3	25	5.5	3.0	19.0	2	Comm	Ti-G2	DIN 912
91T.030.0300.2AD	Natural	M 3	30	5.5	3.0	19.0	2	Comm	Ti-G2	DIN 912
91T.030.0350.2AD	Natural	M 3	35	5.5	3.0	19.0	2	Comm	Ti-G2	DIN 912
91T.030.0400.2AD	Natural	M 3	40	5.5	3.0	19.0	2	Comm	Ti-G2	DIN 912
91T.030.0450.2AD	Natural	M 3	45	5.5	3.0	19.0	2	Comm	Ti-G2	DIN 912



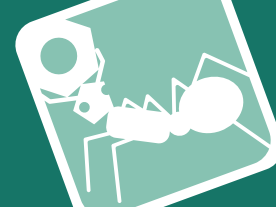
Socket Cap Screw - M2 - M6

DIN 912 Gr.2

Titanium

Order No.	Finish	d ₁	l ₁	d ₂	h ₁	l ₂	A/F	Grade	Material	To standard
91T.030.0500.2AD	Natural	M 3	50	5.5	3.0	19.0	2	Comm	Ti-G2	DIN 912
91T.030.0550.2AD	Natural	M 3	55	5.5	3.0	19.0	2	Comm	Ti-G2	DIN 912
91T.030.0600.2AD	Natural	M 3	60	5.5	3.0	19.0	2	Comm	Ti-G2	DIN 912
91T.040.0060.2AD	Natural	M 4	6	7.0	4.0	-	3	Comm	Ti-G2	DIN 912
91T.040.0080.2AD	Natural	M 4	8	7.0	4.0	-	3	Comm	Ti-G2	DIN 912
91T.040.0100.2AD	Natural	M 4	10	7.0	4.0	-	3	Comm	Ti-G2	DIN 912
91T.040.0120.2AD	Natural	M 4	12	7.0	4.0	-	3	Comm	Ti-G2	DIN 912
91T.040.0150.2AD	Natural	M 4	15	7.0	4.0	-	3	Comm	Ti-G2	DIN 912
91T.040.0160.2AD	Natural	M 4	16	7.0	4.0	-	3	Comm	Ti-G2	DIN 912
91T.040.0200.2AD	Natural	M 4	20	7.0	4.0	20.0	3	Comm	Ti-G2	DIN 912
91T.040.0250.2AD	Natural	M 4	25	7.0	4.0	20.0	3	Comm	Ti-G2	DIN 912
91T.040.0300.2AD	Natural	M 4	30	7.0	4.0	20.0	3	Comm	Ti-G2	DIN 912
91T.040.0350.2AD	Natural	M 4	35	7.0	4.0	20.0	3	Comm	Ti-G2	DIN 912
91T.040.0400.2AD	Natural	M 4	40	7.0	4.0	20.0	3	Comm	Ti-G2	DIN 912
91T.040.0450.2AD	Natural	M 4	45	7.0	4.0	20.0	3	Comm	Ti-G2	DIN 912
91T.040.0500.2AD	Natural	M 4	50	7.0	4.0	20.0	3	Comm	Ti-G2	DIN 912
91T.040.0550.2AD	Natural	M 4	55	7.0	4.0	20.0	3	Comm	Ti-G2	DIN 912
91T.040.0600.2AD	Natural	M 4	60	7.0	4.0	20.0	3	Comm	Ti-G2	DIN 912
91T.040.0650.2AD	Natural	M 4	65	7.0	4.0	20.0	3	Comm	Ti-G2	DIN 912
91T.040.0700.2AD	Natural	M 4	70	7.0	4.0	20.0	3	Comm	Ti-G2	DIN 912
91T.040.0750.2AD	Natural	M 4	75	7.0	4.0	20.0	3	Comm	Ti-G2	DIN 912
91T.040.0800.2AD	Natural	M 4	80	7.0	4.0	20.0	3	Comm	Ti-G2	DIN 912
91T.050.0060.2AD	Natural	M 5	6	8.5	5.0	-	4	Comm	Ti-G2	DIN 912
91T.050.0080.2AD	Natural	M 5	8	8.5	5.0	-	4	Comm	Ti-G2	DIN 912
91T.050.0100.2AD	Natural	M 5	10	8.5	5.0	-	4	Comm	Ti-G2	DIN 912
91T.050.0120.2AD	Natural	M 5	12	8.5	5.0	-	4	Comm	Ti-G2	DIN 912
91T.050.0150.2AD	Natural	M 5	15	8.5	5.0	-	4	Comm	Ti-G2	DIN 912
91T.050.0160.2AD	Natural	M 5	16	8.5	5.0	-	4	Comm	Ti-G2	DIN 912
91T.050.0200.2AD	Natural	M 5	20	8.5	5.0	-	4	Comm	Ti-G2	DIN 912
91T.050.0250.2AD	Natural	M 5	25	8.5	5.0	22.0	4	Comm	Ti-G2	DIN 912
91T.050.0300.2AD	Natural	M 5	30	8.5	5.0	22.0	4	Comm	Ti-G2	DIN 912
91T.050.0350.2AD	Natural	M 5	35	8.5	5.0	22.0	4	Comm	Ti-G2	DIN 912
91T.050.0400.2AD	Natural	M 5	40	8.5	5.0	22.0	4	Comm	Ti-G2	DIN 912
91T.050.0450.2AD	Natural	M 5	45	8.5	5.0	22.0	4	Comm	Ti-G2	DIN 912
91T.050.0500.2AD	Natural	M 5	50	8.5	5.0	22.0	4	Comm	Ti-G2	DIN 912
91T.050.0550.2AD	Natural	M 5	55	8.5	5.0	22.0	4	Comm	Ti-G2	DIN 912
91T.050.0600.2AD	Natural	M 5	60	8.5	5.0	22.0	4	Comm	Ti-G2	DIN 912
91T.050.0650.2AD	Natural	M 5	65	8.5	5.0	22.0	4	Comm	Ti-G2	DIN 912
91T.050.0700.2AD	Natural	M 5	70	8.5	5.0	22.0	4	Comm	Ti-G2	DIN 912
91T.050.0750.2AD	Natural	M 5	75	8.5	5.0	22.0	4	Comm	Ti-G2	DIN 912
91T.050.0800.2AD	Natural	M 5	80	8.5	5.0	22.0	4	Comm	Ti-G2	DIN 912
91T.050.0850.2AD	Natural	M 5	85	8.5	5.0	22.0	4	Comm	Ti-G2	DIN 912
91T.050.0900.2AD	Natural	M 5	90	8.5	5.0	22.0	4	Comm	Ti-G2	DIN 912
91T.050.0950.2AD	Natural	M 5	95	8.5	5.0	22.0	4	Comm	Ti-G2	DIN 912
91T.050.1000.2AD	Natural	M 5	100	8.5	5.0	22.0	4	Comm	Ti-G2	DIN 912
91T.060.0060.2AD	Natural	M 6	6	10.0	6.0	-	5	Comm	Ti-G2	DIN 912
91T.060.0080.2AD	Natural	M 6	8	10.0	6.0	-	5	Comm	Ti-G2	DIN 912
91T.060.0100.2AD	Natural	M 6	10	10.0	6.0	-	5	Comm	Ti-G2	DIN 912
91T.060.0120.2AD	Natural	M 6	12	10.0	6.0	-	5	Comm	Ti-G2	DIN 912
91T.060.0150.2AD	Natural	M 6	15	10.0	6.0	-	5	Comm	Ti-G2	DIN 912
91T.060.0160.2AD	Natural	M 6	16	10.0	6.0	-	5	Comm	Ti-G2	DIN 912
91T.060.0200.2AD	Natural	M 6	20	10.0	6.0	-	5	Comm	Ti-G2	DIN 912
91T.060.0250.2AD	Natural	M 6	25	10.0	6.0	24.0	5	Comm	Ti-G2	DIN 912
91T.060.0300.2AD	Natural	M 6	30	10.0	6.0	24.0	5	Comm	Ti-G2	DIN 912
91T.060.0350.2AD	Natural	M 6	35	10.0	6.0	24.0	5	Comm	Ti-G2	DIN 912
91T.060.0400.2AD	Natural	M 6	40	10.0	6.0	24.0	5	Comm	Ti-G2	DIN 912
91T.060.0450.2AD	Natural	M 6	45	10.0	6.0	24.0	5	Comm	Ti-G2	DIN 912
91T.060.0500.2AD	Natural	M 6	50	10.0	6.0	24.0	5	Comm	Ti-G2	DIN 912
91T.060.0550.2AD	Natural	M 6	55	10.0	6.0	24.0	5	Comm	Ti-G2	DIN 912
91T.060.0600.2AD	Natural	M 6	60	10.0	6.0	24.0	5	Comm	Ti-G2	DIN 912
91T.060.0650.2AD	Natural	M 6	65	10.0	6.0	24.0	5	Comm	Ti-G2	DIN 912
91T.060.0700.2AD	Natural	M 6	70	10.0	6.0	24.0	5	Comm	Ti-G2	DIN 912
91T.060.0750.2AD	Natural	M 6	75	10.0	6.0	24.0	5	Comm	Ti-G2	DIN 912
91T.060.0800.2AD	Natural	M 6	80	10.0	6.0	24.0	5	Comm	Ti-G2	DIN 912
91T.060.0850.2AD	Natural	M 6	85	10.0	6.0	24.0	5	Comm	Ti-G2	DIN 912
91T.060.0900.2AD	Natural	M 6	90	10.0	6.0	24.0	5	Comm	Ti-G2	DIN 912
91T.060.0950.2AD	Natural	M 6	95	10.0	6.0	24.0	5	Comm	Ti-G2	DIN 912
91T.060.1000.2AD	Natural	M 6	100	10.0	6.0	24.0	5	Comm	Ti-G2	DIN 912
91T.060.1100.2AD	Natural	M 6	110	10.0	6.0	24.0	5	Comm	Ti-G2	DIN 912

TITANIUM



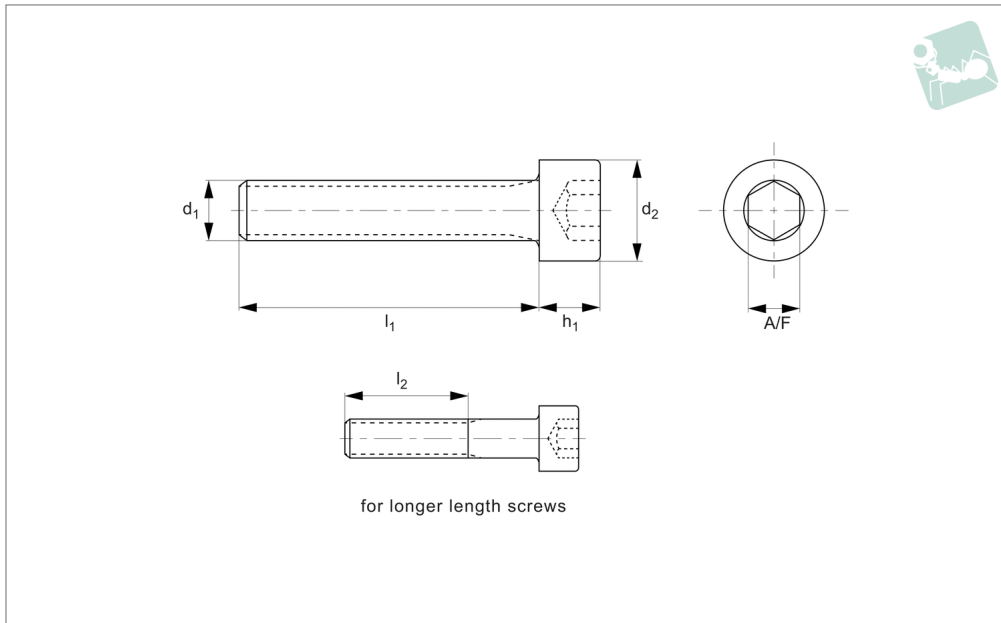
Order No.	Finish	d ₁	l ₁	d ₂	h ₁	l ₂	A/F	Grade	Material	To standard
91T.060.1200.2AD	Natural	M 6	120	10.0	6.0	24.0	5	Comm	Ti-G2	DIN 912
91T.060.1300.2AD	Natural	M 6	130	10.0	6.0	24.0	5	Comm	Ti-G2	DIN 912
91T.060.1400.2AD	Natural	M 6	140	10.0	6.0	24.0	5	Comm	Ti-G2	DIN 912
91T.060.1500.2AD	Natural	M 6	150	10.0	6.0	24.0	5	Comm	Ti-G2	DIN 912
91T.080.0100.2AD	Natural	M 8	10	13.0	8.0	-	6	Comm	Ti-G2	DIN 912
91T.080.0120.2AD	Natural	M 8	12	13.0	8.0	-	6	Comm	Ti-G2	DIN 912
91T.080.0150.2AD	Natural	M 8	15	13.0	8.0	-	6	Comm	Ti-G2	DIN 912
91T.080.0160.2AD	Natural	M 8	16	13.0	8.0	-	6	Comm	Ti-G2	DIN 912
91T.080.0200.2AD	Natural	M 8	20	13.0	8.0	-	6	Comm	Ti-G2	DIN 912
91T.080.0250.2AD	Natural	M 8	25	13.0	8.0	-	6	Comm	Ti-G2	DIN 912
91T.080.0300.2AD	Natural	M 8	30	13.0	8.0	28.0	6	Comm	Ti-G2	DIN 912
91T.080.0350.2AD	Natural	M 8	35	13.0	8.0	28.0	6	Comm	Ti-G2	DIN 912
91T.080.0400.2AD	Natural	M 8	40	13.0	8.0	28.0	6	Comm	Ti-G2	DIN 912
91T.080.0450.2AD	Natural	M 8	45	13.0	8.0	28.0	6	Comm	Ti-G2	DIN 912
91T.080.0500.2AD	Natural	M 8	50	13.0	8.0	28.0	6	Comm	Ti-G2	DIN 912
91T.080.0550.2AD	Natural	M 8	55	13.0	8.0	28.0	6	Comm	Ti-G2	DIN 912
91T.080.0600.2AD	Natural	M 8	60	13.0	8.0	28.0	6	Comm	Ti-G2	DIN 912
91T.080.0650.2AD	Natural	M 8	65	13.0	8.0	28.0	6	Comm	Ti-G2	DIN 912
91T.080.0700.2AD	Natural	M 8	70	13.0	8.0	28.0	6	Comm	Ti-G2	DIN 912
91T.080.0750.2AD	Natural	M 8	75	13.0	8.0	28.0	6	Comm	Ti-G2	DIN 912
91T.080.0800.2AD	Natural	M 8	80	13.0	8.0	28.0	6	Comm	Ti-G2	DIN 912



Socket Cap Screw - M8 - M20

DIN 912 Gr.2

Titanium



T0010.91T.2

TITANIUM

Material

Titanium Grade 2 (commercial grade, high corrosion resistance, strong weldability, standard strength).

Technical Notes

Items to DIN 912 where stated in data

table.

For the majority of screw lengths the threads goes all the way to the head of the screw (i.e. $l_1 = l_2$) less 2.5 thread pitches.

For longer length screws the threaded portion $l_2 < l_1$.

Order No.	Finish	d ₁	l ₁	d ₂	h ₁	l ₂	A/F	Grade	Material	To standard
91T.080.0850.2AD	Natural	M 8	85	13	8	28	6	Comm	Ti-G2	DIN 912
91T.080.0900.2AD	Natural	M 8	90	13	8	28	6	Comm	Ti-G2	DIN 912
91T.080.0950.2AD	Natural	M 8	95	13	8	28	6	Comm	Ti-G2	DIN 912
91T.080.1000.2AD	Natural	M 8	100	13	8	28	6	Comm	Ti-G2	DIN 912
91T.080.1100.2AD	Natural	M 8	110	13	8	28	6	Comm	Ti-G2	DIN 912
91T.080.1200.2AD	Natural	M 8	120	13	8	28	6	Comm	Ti-G2	DIN 912
91T.080.1300.2AD	Natural	M 8	130	13	8	28	6	Comm	Ti-G2	DIN 912
91T.080.1400.2AD	Natural	M 8	140	13	8	28	6	Comm	Ti-G2	DIN 912
91T.080.1500.2AD	Natural	M 8	150	13	8	28	6	Comm	Ti-G2	DIN 912
91T.100.0150.2AD	Natural	M10	15	16	10	-	8	Comm	Ti-G2	DIN 912
91T.100.0160.2AD	Natural	M10	16	16	10	-	8	Comm	Ti-G2	DIN 912
91T.100.0200.2AD	Natural	M10	20	16	10	-	8	Comm	Ti-G2	DIN 912
91T.100.0250.2AD	Natural	M10	25	16	10	-	8	Comm	Ti-G2	DIN 912
91T.100.0300.2AD	Natural	M10	30	16	10	-	8	Comm	Ti-G2	DIN 912
91T.100.0350.2AD	Natural	M10	35	16	10	32	8	Comm	Ti-G2	DIN 912
91T.100.0400.2AD	Natural	M10	40	16	10	32	8	Comm	Ti-G2	DIN 912
91T.100.0450.2AD	Natural	M10	45	16	10	32	8	Comm	Ti-G2	DIN 912
91T.100.0500.2AD	Natural	M10	50	16	10	32	8	Comm	Ti-G2	DIN 912
91T.100.0550.2AD	Natural	M10	55	16	10	32	8	Comm	Ti-G2	DIN 912
91T.100.0600.2AD	Natural	M10	60	16	10	32	8	Comm	Ti-G2	DIN 912
91T.100.0650.2AD	Natural	M10	65	16	10	32	8	Comm	Ti-G2	DIN 912
91T.100.0700.2AD	Natural	M10	70	16	10	32	8	Comm	Ti-G2	DIN 912
91T.100.0750.2AD	Natural	M10	75	16	10	32	8	Comm	Ti-G2	DIN 912
91T.100.0800.2AD	Natural	M10	80	16	10	32	8	Comm	Ti-G2	DIN 912
91T.100.0850.2AD	Natural	M10	85	16	10	32	8	Comm	Ti-G2	DIN 912
91T.100.0900.2AD	Natural	M10	90	16	10	32	8	Comm	Ti-G2	DIN 912
91T.100.0950.2AD	Natural	M10	95	16	10	32	8	Comm	Ti-G2	DIN 912
91T.100.1000.2AD	Natural	M10	100	16	10	32	8	Comm	Ti-G2	DIN 912
91T.100.1100.2AD	Natural	M10	110	16	10	32	8	Comm	Ti-G2	DIN 912
91T.100.1200.2AD	Natural	M10	120	16	10	32	8	Comm	Ti-G2	DIN 912
91T.100.1300.2AD	Natural	M10	130	16	10	32	8	Comm	Ti-G2	DIN 912
91T.100.1400.2AD	Natural	M10	140	16	10	32	8	Comm	Ti-G2	DIN 912



Order No.	Finish	d ₁	l ₁	d ₂	h ₁	l ₂	A/F	Grade	Material	To standard
91T.100.1500.2AD	Natural	M10	150	16	10	32	8	Comm	Ti-G2	DIN 912
91T.120.0200.2AD	Natural	M12	20	19	12	34	10	Comm	Ti-G2	DIN 912
91T.120.0250.2AD	Natural	M12	25	19	12	34	10	Comm	Ti-G2	DIN 912
91T.120.0300.2AD	Natural	M12	30	19	12	34	10	Comm	Ti-G2	DIN 912
91T.120.0350.2AD	Natural	M12	35	19	12	34	10	Comm	Ti-G2	DIN 912
91T.120.0400.2AD	Natural	M12	40	19	12	34	10	Comm	Ti-G2	DIN 912
91T.120.0450.2AD	Natural	M12	45	19	12	34	10	Comm	Ti-G2	DIN 912
91T.120.0500.2AD	Natural	M12	50	19	12	34	10	Comm	Ti-G2	DIN 912
91T.120.0550.2AD	Natural	M12	55	19	12	34	10	Comm	Ti-G2	DIN 912
91T.120.0600.2AD	Natural	M12	60	19	12	34	10	Comm	Ti-G2	DIN 912
91T.120.0650.2AD	Natural	M12	65	19	12	34	10	Comm	Ti-G2	DIN 912
91T.120.0700.2AD	Natural	M12	70	19	12	34	10	Comm	Ti-G2	DIN 912
91T.120.0750.2AD	Natural	M12	75	19	12	34	10	Comm	Ti-G2	DIN 912
91T.120.0800.2AD	Natural	M12	80	19	12	34	10	Comm	Ti-G2	DIN 912
91T.120.0850.2AD	Natural	M12	85	19	12	34	10	Comm	Ti-G2	DIN 912
91T.120.0900.2AD	Natural	M12	90	19	12	34	10	Comm	Ti-G2	DIN 912
91T.120.0950.2AD	Natural	M12	95	19	12	34	10	Comm	Ti-G2	DIN 912
91T.120.1000.2AD	Natural	M12	100	19	12	34	10	Comm	Ti-G2	DIN 912
91T.120.1100.2AD	Natural	M12	110	19	12	34	10	Comm	Ti-G2	DIN 912
91T.120.1200.2AD	Natural	M12	120	19	12	34	10	Comm	Ti-G2	DIN 912
91T.120.1300.2AD	Natural	M12	130	19	12	34	10	Comm	Ti-G2	DIN 912
91T.120.1400.2AD	Natural	M12	140	19	12	34	10	Comm	Ti-G2	DIN 912
91T.120.1500.2AD	Natural	M12	150	19	12	34	10	Comm	Ti-G2	DIN 912
91T.140.0200.2AD	Natural	M14	20	22	14	36	12	Comm	Ti-G2	DIN 912
91T.140.0250.2AD	Natural	M14	25	22	14	36	12	Comm	Ti-G2	DIN 912
91T.140.0300.2AD	Natural	M14	30	22	14	36	12	Comm	Ti-G2	DIN 912
91T.140.0350.2AD	Natural	M14	35	22	14	36	12	Comm	Ti-G2	DIN 912
91T.140.0400.2AD	Natural	M14	40	22	14	36	12	Comm	Ti-G2	DIN 912
91T.140.0450.2AD	Natural	M14	45	22	14	36	12	Comm	Ti-G2	DIN 912
91T.140.0500.2AD	Natural	M14	50	22	14	36	12	Comm	Ti-G2	DIN 912
91T.140.0550.2AD	Natural	M14	55	22	14	36	12	Comm	Ti-G2	DIN 912
91T.140.0600.2AD	Natural	M14	60	22	14	36	12	Comm	Ti-G2	DIN 912
91T.140.0650.2AD	Natural	M14	65	22	14	36	12	Comm	Ti-G2	DIN 912
91T.140.0700.2AD	Natural	M14	70	22	14	36	12	Comm	Ti-G2	DIN 912
91T.140.0750.2AD	Natural	M14	75	22	14	36	12	Comm	Ti-G2	DIN 912
91T.140.0800.2AD	Natural	M14	80	22	14	36	12	Comm	Ti-G2	DIN 912
91T.140.0850.2AD	Natural	M14	85	22	14	36	12	Comm	Ti-G2	DIN 912
91T.140.0900.2AD	Natural	M14	90	22	14	36	12	Comm	Ti-G2	DIN 912
91T.140.0950.2AD	Natural	M14	95	22	14	36	12	Comm	Ti-G2	DIN 912
91T.140.1000.2AD	Natural	M14	100	22	14	36	12	Comm	Ti-G2	DIN 912
91T.140.1100.2AD	Natural	M14	110	22	14	36	12	Comm	Ti-G2	DIN 912
91T.140.1200.2AD	Natural	M14	120	22	14	36	12	Comm	Ti-G2	DIN 912
91T.140.1300.2AD	Natural	M14	130	22	14	36	12	Comm	Ti-G2	DIN 912
91T.140.1400.2AD	Natural	M14	140	22	14	36	12	Comm	Ti-G2	DIN 912
91T.140.1500.2AD	Natural	M14	150	22	14	36	12	Comm	Ti-G2	DIN 912
91T.160.0200.2AD	Natural	M16	20	25	16	38	14	Comm	Ti-G2	DIN 912
91T.160.0250.2AD	Natural	M16	25	25	16	38	14	Comm	Ti-G2	DIN 912
91T.160.0300.2AD	Natural	M16	30	25	16	38	14	Comm	Ti-G2	DIN 912
91T.160.0350.2AD	Natural	M16	35	25	16	38	14	Comm	Ti-G2	DIN 912
91T.160.0400.2AD	Natural	M16	40	25	16	38	14	Comm	Ti-G2	DIN 912
91T.160.0450.2AD	Natural	M16	45	25	16	38	14	Comm	Ti-G2	DIN 912
91T.160.0500.2AD	Natural	M16	50	25	16	38	14	Comm	Ti-G2	DIN 912
91T.160.0550.2AD	Natural	M16	55	25	16	38	14	Comm	Ti-G2	DIN 912
91T.160.0600.2AD	Natural	M16	60	25	16	38	14	Comm	Ti-G2	DIN 912
91T.160.0650.2AD	Natural	M16	65	25	16	38	14	Comm	Ti-G2	DIN 912
91T.160.0700.2AD	Natural	M16	70	25	16	38	14	Comm	Ti-G2	DIN 912
91T.160.0750.2AD	Natural	M16	75	25	16	38	14	Comm	Ti-G2	DIN 912
91T.160.0800.2AD	Natural	M16	80	25	16	38	14	Comm	Ti-G2	DIN 912
91T.160.0850.2AD	Natural	M16	85	25	16	38	14	Comm	Ti-G2	DIN 912
91T.160.0900.2AD	Natural	M16	90	25	16	38	14	Comm	Ti-G2	DIN 912
91T.160.0950.2AD	Natural	M16	95	25	16	38	14	Comm	Ti-G2	DIN 912
91T.160.1000.2AD	Natural	M16	100	25	16	38	14	Comm	Ti-G2	DIN 912
91T.160.1100.2AD	Natural	M16	110	25	16	38	14	Comm	Ti-G2	DIN 912
91T.160.1200.2AD	Natural	M16	120	25	16	38	14	Comm	Ti-G2	DIN 912
91T.160.1300.2AD	Natural	M16	130	25	16	38	14	Comm	Ti-G2	DIN 912
91T.160.1400.2AD	Natural	M16	140	25	16	38	14	Comm	Ti-G2	DIN 912
91T.160.1500.2AD	Natural	M16	150	25	16	38	14	Comm	Ti-G2	DIN 912
91T.200.0200.2AD	Natural	M20	20	31	20	42	18	Comm	Ti-G2	DIN 912
91T.200.0250.2AD	Natural	M20	25	31	20	42	18	Comm	Ti-G2	DIN 912



Socket Cap Screw - M8 - M20

DIN 912 Gr.2

Titanium

Order No.	Finish	d ₁	l ₁	d ₂	h ₁	l ₂	A/F	Grade	Material	To standard
91T.200.0300.2AD	Natural	M20	30	31	20	42	18	Comm	Ti-G2	DIN 912
91T.200.0350.2AD	Natural	M20	35	31	20	42	18	Comm	Ti-G2	DIN 912
91T.200.0400.2AD	Natural	M20	40	31	20	42	18	Comm	Ti-G2	DIN 912
91T.200.0450.2AD	Natural	M20	45	31	20	42	18	Comm	Ti-G2	DIN 912
91T.200.0500.2AD	Natural	M20	50	31	20	42	18	Comm	Ti-G2	DIN 912
91T.200.0550.2AD	Natural	M20	55	31	20	42	18	Comm	Ti-G2	DIN 912
91T.200.0600.2AD	Natural	M20	60	31	20	42	18	Comm	Ti-G2	DIN 912
91T.200.0650.2AD	Natural	M20	65	31	20	42	18	Comm	Ti-G2	DIN 912
91T.200.0700.2AD	Natural	M20	70	31	20	42	18	Comm	Ti-G2	DIN 912
91T.200.0750.2AD	Natural	M20	75	31	20	42	18	Comm	Ti-G2	DIN 912
91T.200.0800.2AD	Natural	M20	80	31	20	42	18	Comm	Ti-G2	DIN 912
91T.200.0850.2AD	Natural	M20	85	31	20	42	18	Comm	Ti-G2	DIN 912
91T.200.0900.2AD	Natural	M20	90	31	20	42	18	Comm	Ti-G2	DIN 912
91T.200.0950.2AD	Natural	M20	95	31	20	42	18	Comm	Ti-G2	DIN 912
91T.200.1000.2AD	Natural	M20	100	31	20	42	18	Comm	Ti-G2	DIN 912
91T.200.1100.2AD	Natural	M20	110	31	20	42	18	Comm	Ti-G2	DIN 912
91T.200.1200.2AD	Natural	M20	120	31	20	42	18	Comm	Ti-G2	DIN 912
91T.200.1300.2AD	Natural	M20	130	31	20	42	18	Comm	Ti-G2	DIN 912
91T.200.1400.2AD	Natural	M20	140	31	20	42	18	Comm	Ti-G2	DIN 912
91T.200.1500.2AD	Natural	M20	150	31	20	42	18	Comm	Ti-G2	DIN 912

TITANIUM