

N0190.57N

NYLON

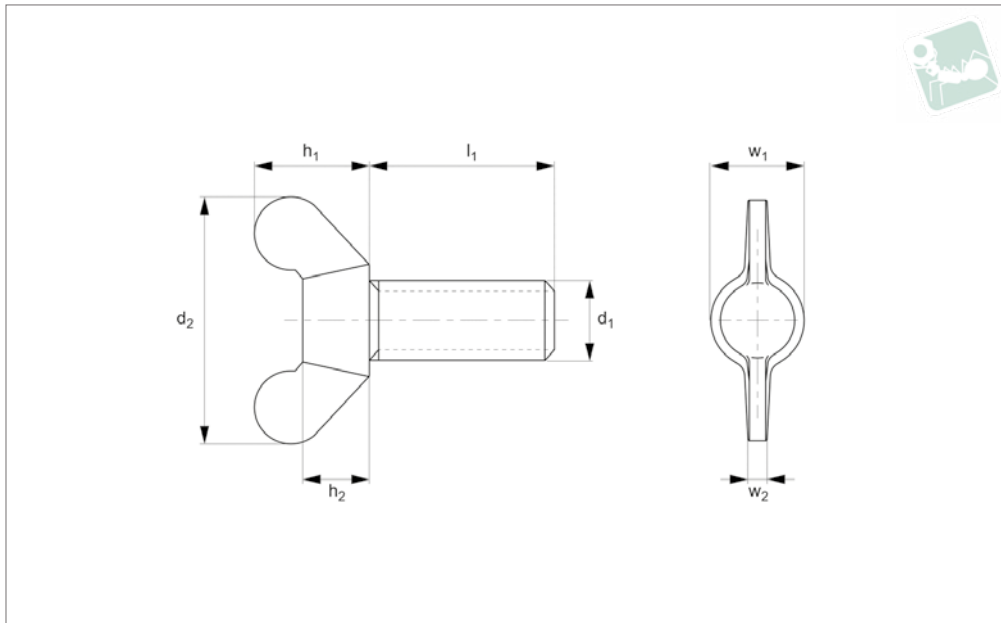
Material

Nylon PA-6/66 (Std - standard grade), natural.

Order No.	d	l	Material	Grade	Colour	To standard
57N.040.0060.0A	M 4	6	PA-6/66	Std.	Natural	DIN 316
57N.040.0080.0A	M 4	8	PA-6/66	Std.	Natural	DIN 316
57N.040.0100.0A	M 4	10	PA-6/66	Std.	Natural	DIN 316
57N.040.0120.0A	M 4	12	PA-6/66	Std.	Natural	DIN 316
57N.040.0160.0A	M 4	16	PA-6/66	Std.	Natural	DIN 316
57N.040.0200.0A	M 4	20	PA-6/66	Std.	Natural	DIN 316
57N.040.0250.0A	M 4	25	PA-6/66	Std.	Natural	DIN 316
57N.050.0060.0A	M 5	6	PA-6/66	Std.	Natural	DIN 316
57N.050.0080.0A	M 5	8	PA-6/66	Std.	Natural	DIN 316
57N.050.0100.0A	M 5	10	PA-6/66	Std.	Natural	DIN 316
57N.050.0120.0A	M 5	12	PA-6/66	Std.	Natural	DIN 316
57N.050.0160.0A	M 5	16	PA-6/66	Std.	Natural	DIN 316
57N.050.0200.0A	M 5	20	PA-6/66	Std.	Natural	DIN 316
57N.050.0250.0A	M 5	25	PA-6/66	Std.	Natural	DIN 316
57N.050.0300.0A	M 5	30	PA-6/66	Std.	Natural	DIN 316
57N.050.0350.0A	M 5	35	PA-6/66	Std.	Natural	DIN 316
57N.050.0400.0A	M 5	40	PA-6/66	Std.	Natural	DIN 316
57N.050.0450.0A	M 5	45	PA-6/66	Std.	Natural	DIN 316
57N.050.0500.0A	M 5	50	PA-6/66	Std.	Natural	DIN 316
57N.050.0550.0A	M 5	55	PA-6/66	Std.	Natural	DIN 316
57N.050.0600.0A	M 5	60	PA-6/66	Std.	Natural	DIN 316
57N.050.0700.0A	M 5	70	PA-6/66	Std.	Natural	DIN 316
57N.060.0060.0A	M 6	6	PA-6/66	Std.	Natural	DIN 316
57N.060.0080.0A	M 6	8	PA-6/66	Std.	Natural	DIN 316
57N.060.0100.0A	M 6	10	PA-6/66	Std.	Natural	DIN 316
57N.060.0120.0A	M 6	12	PA-6/66	Std.	Natural	DIN 316
57N.060.0160.0A	M 6	16	PA-6/66	Std.	Natural	DIN 316
57N.060.0200.0A	M 6	20	PA-6/66	Std.	Natural	DIN 316
57N.060.0250.0A	M 6	25	PA-6/66	Std.	Natural	DIN 316
57N.060.0300.0A	M 6	30	PA-6/66	Std.	Natural	DIN 316
57N.060.0350.0A	M 6	35	PA-6/66	Std.	Natural	DIN 316
57N.060.0400.0A	M 6	40	PA-6/66	Std.	Natural	DIN 316
57N.060.0450.0A	M 6	45	PA-6/66	Std.	Natural	DIN 316
57N.060.0500.0A	M 6	50	PA-6/66	Std.	Natural	DIN 316
57N.060.0600.0A	M 6	60	PA-6/66	Std.	Natural	DIN 316



Order No.	d	l	Material	Grade	Colour	To standard
57N.060.0700.OA	M 6	70	PA-6/66	Std.	Natural	DIN 316
57N.060.0800.OA	M 6	80	PA-6/66	Std.	Natural	DIN 316
57N.080.0060.OA	M 8	6	PA-6/66	Std.	Natural	DIN 316
57N.080.0080.OA	M 8	8	PA-6/66	Std.	Natural	DIN 316
57N.080.0100.OA	M 8	10	PA-6/66	Std.	Natural	DIN 316
57N.080.0120.OA	M 8	12	PA-6/66	Std.	Natural	DIN 316
57N.080.0160.OA	M 8	16	PA-6/66	Std.	Natural	DIN 316
57N.080.0200.OA	M 8	20	PA-6/66	Std.	Natural	DIN 316
57N.080.0250.OA	M 8	25	PA-6/66	Std.	Natural	DIN 316
57N.080.0300.OA	M 8	30	PA-6/66	Std.	Natural	DIN 316
57N.080.0350.OA	M 8	35	PA-6/66	Std.	Natural	DIN 316
57N.080.0400.OA	M 8	40	PA-6/66	Std.	Natural	DIN 316
57N.080.0450.OA	M 8	45	PA-6/66	Std.	Natural	DIN 316
57N.080.0500.OA	M 8	50	PA-6/66	Std.	Natural	DIN 316
57N.080.0600.OA	M 8	60	PA-6/66	Std.	Natural	DIN 316
57N.080.0700.OA	M 8	70	PA-6/66	Std.	Natural	DIN 316
57N.080.0800.OA	M 8	80	PA-6/66	Std.	Natural	DIN 316
57N.100.0060.OA	M10	6	PA-6/66	Std.	Natural	DIN 316
57N.100.0080.OA	M10	8	PA-6/66	Std.	Natural	DIN 316
57N.100.0100.OA	M10	10	PA-6/66	Std.	Natural	DIN 316
57N.100.0120.OA	M10	12	PA-6/66	Std.	Natural	DIN 316
57N.100.0160.OA	M10	16	PA-6/66	Std.	Natural	DIN 316
57N.100.0200.OA	M10	20	PA-6/66	Std.	Natural	DIN 316
57N.100.0250.OA	M10	25	PA-6/66	Std.	Natural	DIN 316
57N.100.0300.OA	M10	30	PA-6/66	Std.	Natural	DIN 316
57N.100.0350.OA	M10	35	PA-6/66	Std.	Natural	DIN 316
57N.100.0400.OA	M10	40	PA-6/66	Std.	Natural	DIN 316
57N.100.0450.OA	M10	45	PA-6/66	Std.	Natural	DIN 316
57N.100.0500.OA	M10	50	PA-6/66	Std.	Natural	DIN 316
57N.100.0600.OA	M10	60	PA-6/66	Std.	Natural	DIN 316
57N.100.0700.OA	M10	70	PA-6/66	Std.	Natural	DIN 316
57N.100.0800.OA	M10	80	PA-6/66	Std.	Natural	DIN 316
57N.120.0100.OA	M12	10	PA-6/66	Std.	Natural	DIN 316
57N.120.0120.OA	M12	12	PA-6/66	Std.	Natural	DIN 316
57N.120.0160.OA	M12	16	PA-6/66	Std.	Natural	DIN 316
57N.120.0200.OA	M12	20	PA-6/66	Std.	Natural	DIN 316
57N.120.0250.OA	M12	25	PA-6/66	Std.	Natural	DIN 316
57N.120.0300.OA	M12	30	PA-6/66	Std.	Natural	DIN 316
57N.120.0350.OA	M12	35	PA-6/66	Std.	Natural	DIN 316
57N.120.0400.OA	M12	40	PA-6/66	Std.	Natural	DIN 316
57N.120.0450.OA	M12	45	PA-6/66	Std.	Natural	DIN 316
57N.120.0500.OA	M12	50	PA-6/66	Std.	Natural	DIN 316
57N.120.0600.OA	M12	60	PA-6/66	Std.	Natural	DIN 316
57N.120.0700.OA	M12	70	PA-6/66	Std.	Natural	DIN 316
57N.120.0800.OA	M12	80	PA-6/66	Std.	Natural	DIN 316



N0192.92N

NYLON

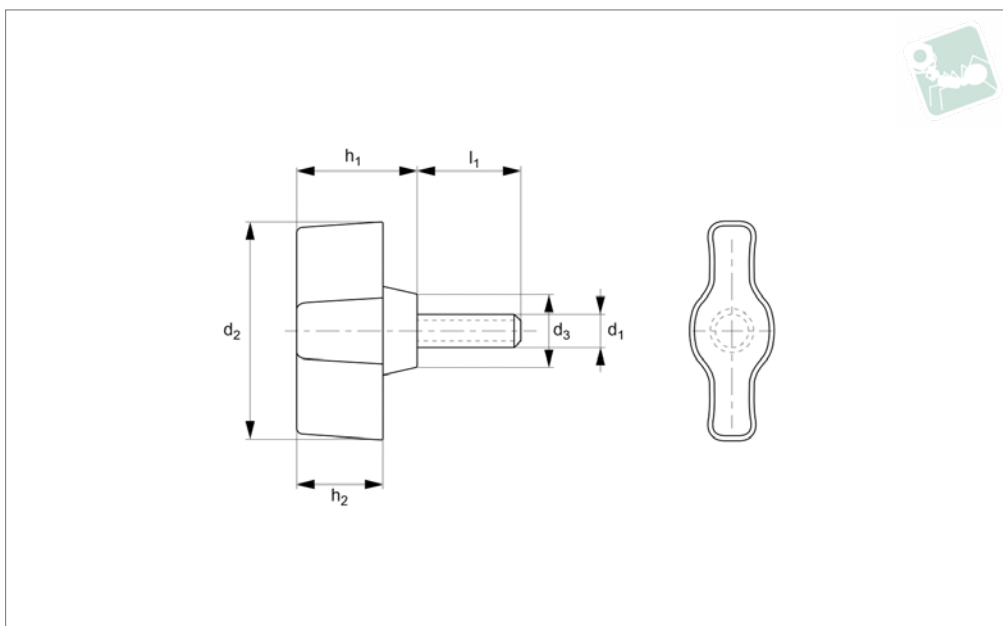
Material

Nylon PA-6/66 (Std - standard grade), natural.

Order No.	d ₁	l ₁	d ₂	h ₁	l ₂	w ₁	w ₂	Material	Grade	Colour
92N.060.0060.0A	M 6	6	21.8	12	5.8	8.2	2.5	PA-6/66	Std.	Natural
92N.060.0080.0A	M 6	8	21.8	12	5.8	8.2	2.5	PA-6/66	Std.	Natural
92N.060.0100.0A	M 6	10	21.8	12	5.8	8.2	2.5	PA-6/66	Std.	Natural
92N.060.0120.0A	M 6	12	21.8	12	5.8	8.2	2.5	PA-6/66	Std.	Natural
92N.060.0160.0A	M 6	16	21.8	12	5.8	8.2	2.5	PA-6/66	Std.	Natural
92N.060.0200.0A	M 6	20	21.8	12	5.8	8.2	2.5	PA-6/66	Std.	Natural
92N.060.0250.0A	M 6	25	21.8	12	5.8	8.2	2.5	PA-6/66	Std.	Natural
92N.060.0300.0A	M 6	30	21.8	12	5.8	8.2	2.5	PA-6/66	Std.	Natural
92N.060.0350.0A	M 6	35	21.8	12	5.8	8.2	2.5	PA-6/66	Std.	Natural
92N.060.0400.0A	M 6	40	21.8	12	5.8	8.2	2.5	PA-6/66	Std.	Natural
92N.060.0450.0A	M 6	45	21.8	12	5.8	8.2	2.5	PA-6/66	Std.	Natural
92N.060.0500.0A	M 6	50	21.8	12	5.8	8.2	2.5	PA-6/66	Std.	Natural
92N.060.0600.0A	M 6	60	21.8	12	5.8	8.2	2.5	PA-6/66	Std.	Natural
92N.060.0700.0A	M 6	70	21.8	12	5.8	8.2	2.5	PA-6/66	Std.	Natural
92N.060.0800.0A	M 6	80	21.8	12	5.8	8.2	2.5	PA-6/66	Std.	Natural
92N.080.0060.0A	M 8	6	21.8	12	5.8	8.2	2.5	PA-6/66	Std.	Natural
92N.080.0080.0A	M 8	8	21.8	12	5.8	8.2	2.5	PA-6/66	Std.	Natural
92N.080.0100.0A	M 8	10	21.8	12	5.8	8.2	2.5	PA-6/66	Std.	Natural
92N.080.0120.0A	M 8	12	21.8	12	5.8	8.2	2.5	PA-6/66	Std.	Natural
92N.080.0160.0A	M 8	16	21.8	12	5.8	8.2	2.5	PA-6/66	Std.	Natural
92N.080.0200.0A	M 8	20	21.8	12	5.8	8.2	2.5	PA-6/66	Std.	Natural
92N.080.0250.0A	M 8	25	21.8	12	5.8	8.2	2.5	PA-6/66	Std.	Natural
92N.080.0300.0A	M 8	30	21.8	12	5.8	8.2	2.5	PA-6/66	Std.	Natural
92N.080.0350.0A	M 8	35	21.8	12	5.8	8.2	2.5	PA-6/66	Std.	Natural
92N.080.0400.0A	M 8	40	21.8	12	5.8	8.2	2.5	PA-6/66	Std.	Natural
92N.080.0450.0A	M 8	45	21.8	12	5.8	8.2	2.5	PA-6/66	Std.	Natural
92N.080.0500.0A	M 8	50	21.8	12	5.8	8.2	2.5	PA-6/66	Std.	Natural
92N.080.0600.0A	M 8	60	21.8	12	5.8	8.2	2.5	PA-6/66	Std.	Natural
92N.080.0700.0A	M 8	70	21.8	12	5.8	8.2	2.5	PA-6/66	Std.	Natural
92N.080.0800.0A	M 8	80	21.8	12	5.8	8.2	2.5	PA-6/66	Std.	Natural



N0196.32N



Material

Nylon PA-6/66 (Std - standard grade),
natural.

Order No.	d ₁	l ₁	d ₂	d ₃	h	l ₂	Material	Grade	Colour
32N.040.0060.0A	M 4	6	29.5	10	17	12	PA-6/66	Std.	Natural
32N.040.0080.0A	M 4	8	29.5	10	17	12	PA-6/66	Std.	Natural
32N.040.0100.0A	M 4	10	29.5	10	17	12	PA-6/66	Std.	Natural
32N.040.0120.0A	M 4	12	29.5	10	17	12	PA-6/66	Std.	Natural
32N.040.0160.0A	M 4	16	29.5	10	17	12	PA-6/66	Std.	Natural
32N.040.0200.0A	M 4	20	29.5	10	17	12	PA-6/66	Std.	Natural
32N.040.0250.0A	M 4	25	29.5	10	17	12	PA-6/66	Std.	Natural
32N.050.0060.0A	M 5	6	29.5	10	17	12	PA-6/66	Std.	Natural
32N.050.0080.0A	M 5	8	29.5	10	17	12	PA-6/66	Std.	Natural
32N.050.0100.0A	M 5	10	29.5	10	17	12	PA-6/66	Std.	Natural
32N.050.0120.0A	M 5	12	29.5	10	17	12	PA-6/66	Std.	Natural
32N.050.0160.0A	M 5	16	29.5	10	17	12	PA-6/66	Std.	Natural
32N.050.0200.0A	M 5	20	29.5	10	17	12	PA-6/66	Std.	Natural
32N.050.0250.0A	M 5	25	29.5	10	17	12	PA-6/66	Std.	Natural
32N.050.0300.0A	M 5	30	29.5	10	17	12	PA-6/66	Std.	Natural
32N.050.0350.0A	M 5	35	29.5	10	17	12	PA-6/66	Std.	Natural
32N.050.0400.0A	M 5	40	29.5	10	17	12	PA-6/66	Std.	Natural
32N.060.0060.0A	M 6	6	29.5	10	17	12	PA-6/66	Std.	Natural
32N.060.0080.0A	M 6	8	29.5	10	17	12	PA-6/66	Std.	Natural
32N.060.0100.0A	M 6	10	29.5	10	17	12	PA-6/66	Std.	Natural
32N.060.0120.0A	M 6	12	29.5	10	17	12	PA-6/66	Std.	Natural
32N.060.0160.0A	M 6	16	29.5	10	17	12	PA-6/66	Std.	Natural
32N.060.0200.0A	M 6	20	29.5	10	17	12	PA-6/66	Std.	Natural
32N.060.0250.0A	M 6	25	29.5	10	17	12	PA-6/66	Std.	Natural
32N.060.0300.0A	M 6	30	29.5	10	17	12	PA-6/66	Std.	Natural
32N.060.0350.0A	M 6	35	29.5	10	17	12	PA-6/66	Std.	Natural
32N.060.0400.0A	M 6	40	29.5	10	17	12	PA-6/66	Std.	Natural
32N.060.0450.0A	M 6	45	29.5	10	17	12	PA-6/66	Std.	Natural
32N.060.0500.0A	M 6	50	29.5	10	17	12	PA-6/66	Std.	Natural
32N.080.0060.0A	M 8	6	29.5	10	17	12	PA-6/66	Std.	Natural
32N.080.0080.0A	M 8	8	29.5	10	17	12	PA-6/66	Std.	Natural
32N.080.0100.0A	M 8	10	29.5	10	17	12	PA-6/66	Std.	Natural
32N.080.0120.0A	M 8	12	29.5	10	17	12	PA-6/66	Std.	Natural
32N.080.0160.0A	M 8	16	29.5	10	17	12	PA-6/66	Std.	Natural
32N.080.0200.0A	M 8	20	29.5	10	17	12	PA-6/66	Std.	Natural



Wing Screws with Stud

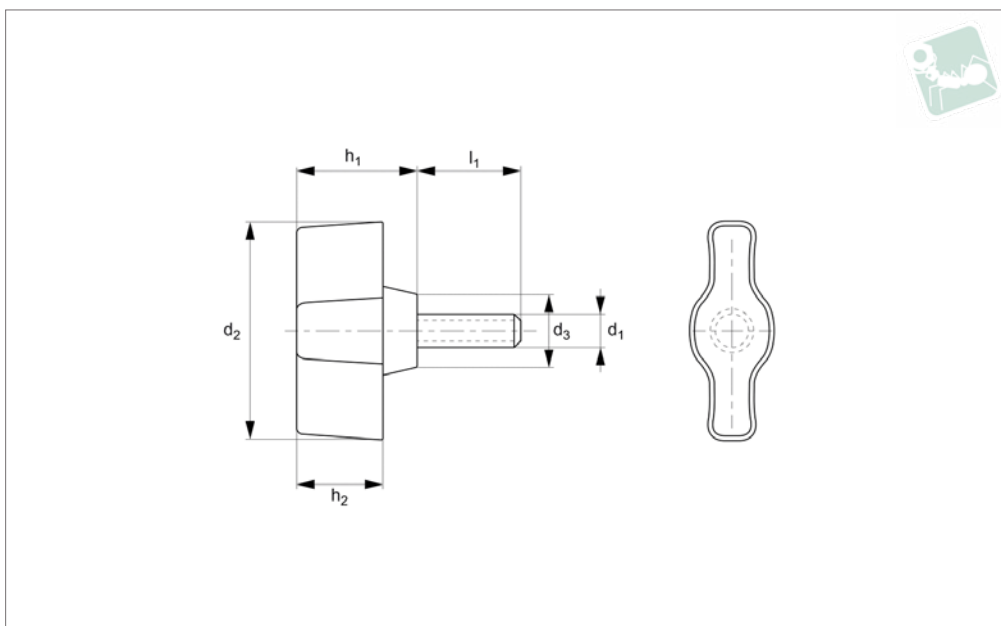
Nylon

Order No.	d ₁	l ₁	d ₂	d ₃	h	l ₂	Material	Grade	Colour
32N.080.0250.0A	M 8	25	29.5	10	17	12	PA-6/66	Std.	Natural
32N.080.0300.0A	M 8	30	29.5	10	17	12	PA-6/66	Std.	Natural
32N.080.0350.0A	M 8	35	29.5	10	17	12	PA-6/66	Std.	Natural
32N.080.0400.0A	M 8	40	29.5	10	17	12	PA-6/66	Std.	Natural
32N.080.0450.0A	M 8	45	29.5	10	17	12	PA-6/66	Std.	Natural
32N.080.0500.0A	M 8	50	29.5	10	17	12	PA-6/66	Std.	Natural
32N.080.0600.0A	M 8	60	29.5	10	17	12	PA-6/66	Std.	Natural

NYLON



N0197.77N



Material

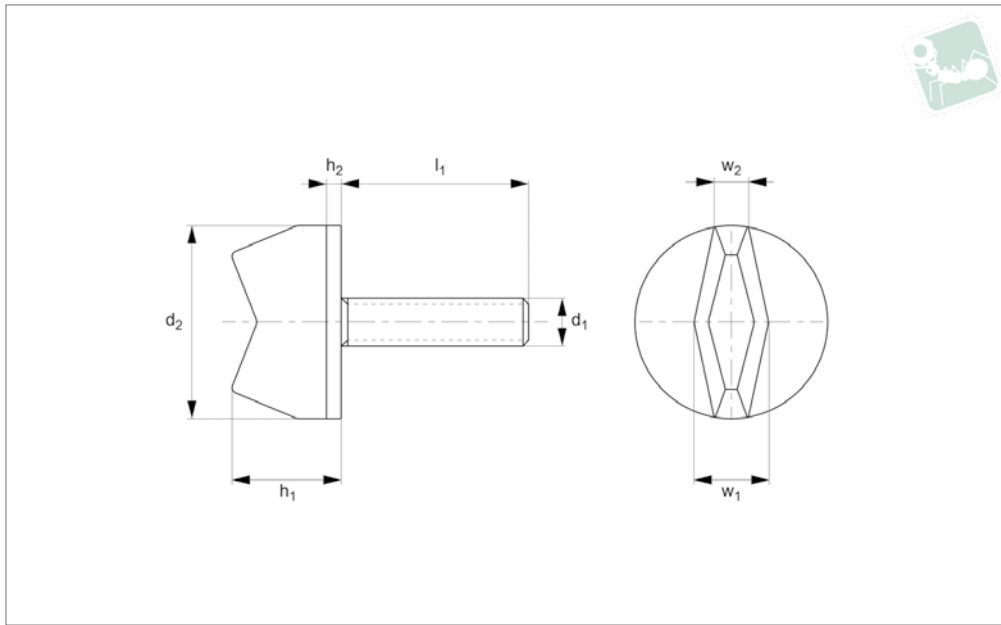
Nylon PA-6/66 (Std - standard grade),
natural.

Order No.	d ₁	d ₂	d ₃	h ₁	h ₂	l	Material	Grade	Colour
77N.080.0060.0A	M 8	29.5	12	17	12	6	PA-6/66	Std.	Natural
72N.080.0080.0A	M 8	29.5	12	17	12	8	PA-6/66	Std.	Natural
72N.080.0100.0A	M 8	29.5	12	17	12	10	PA-6/66	Std.	Natural
72N.080.0120.0A	M 8	29.5	12	17	12	12	PA-6/66	Std.	Natural
72N.080.0160.0A	M 8	29.5	12	17	12	16	PA-6/66	Std.	Natural
72N.080.0200.0A	M 8	29.5	12	17	12	20	PA-6/66	Std.	Natural
72N.080.0250.0A	M 8	29.5	12	17	12	25	PA-6/66	Std.	Natural
72N.080.0300.0A	M 8	29.5	12	17	12	30	PA-6/66	Std.	Natural
72N.080.0350.0A	M 8	29.5	12	17	12	35	PA-6/66	Std.	Natural
72N.080.0400.0A	M 8	29.5	12	17	12	40	PA-6/66	Std.	Natural
72N.080.0450.0A	M 8	29.5	12	17	12	45	PA-6/66	Std.	Natural
72N.080.0500.0A	M 8	29.5	12	17	12	50	PA-6/66	Std.	Natural
72N.080.0600.0A	M 8	29.5	12	17	12	60	PA-6/66	Std.	Natural
72N.100.0060.0A	M10	29.5	12	17	12	6	PA-6/66	Std.	Natural
72N.100.0080.0A	M10	29.5	12	17	12	8	PA-6/66	Std.	Natural
72N.100.0100.0A	M10	29.5	12	17	12	10	PA-6/66	Std.	Natural
72N.100.0120.0A	M10	29.5	12	17	12	12	PA-6/66	Std.	Natural
72N.100.0160.0A	M10	29.5	12	17	12	16	PA-6/66	Std.	Natural
72N.100.0200.0A	M10	29.5	12	17	12	20	PA-6/66	Std.	Natural
72N.100.0250.0A	M10	29.5	12	17	12	25	PA-6/66	Std.	Natural
72N.100.0300.0A	M10	29.5	12	17	12	30	PA-6/66	Std.	Natural
72N.100.0350.0A	M10	29.5	12	17	12	35	PA-6/66	Std.	Natural
72N.100.0400.0A	M10	29.5	12	17	12	40	PA-6/66	Std.	Natural
72N.100.0450.0A	M10	29.5	12	17	12	45	PA-6/66	Std.	Natural
72N.100.0500.0A	M10	29.5	12	17	12	50	PA-6/66	Std.	Natural
72N.100.0600.0A	M10	29.5	12	17	12	60	PA-6/66	Std.	Natural
72N.100.0700.0A	M10	29.5	12	17	12	70	PA-6/66	Std.	Natural
72N.100.0800.0A	M10	29.5	12	17	12	80	PA-6/66	Std.	Natural



Washers Faced Wing Screws with stud

Nylon



N0198.54N

Material

Nylon PA-6/66 (Std - standard grade),
natural.

Order No.	d ₁	d ₂	h ₁	h ₂	l	w ₁	w ₂	Material	Grade	Colour
54N.050.0060.0A	M 5	21	12.4	1.7	6	8.4	3.2	PA-6/66	Std.	Natural
54N.050.0080.0A	M 5	21	12.4	1.7	8	8.4	3.2	PA-6/66	Std.	Natural
54N.050.0100.0A	M 5	21	12.4	1.7	10	8.4	3.2	PA-6/66	Std.	Natural
54N.050.0120.0A	M 5	21	12.4	1.7	12	8.4	3.2	PA-6/66	Std.	Natural
54N.050.0150.0A	M 5	21	12.4	1.7	15	8.4	3.2	PA-6/66	Std.	Natural
54N.050.0160.0A	M 5	21	12.4	1.7	16	8.4	3.2	PA-6/66	Std.	Natural
54N.050.0170.0A	M 5	21	12.4	1.7	17	8.4	3.2	PA-6/66	Std.	Natural
54N.050.0200.0A	M 5	21	12.4	1.7	20	8.4	3.2	PA-6/66	Std.	Natural
54N.050.0250.0A	M 5	21	12.4	1.7	25	8.4	3.2	PA-6/66	Std.	Natural
54N.050.0300.0A	M 5	21	12.4	1.7	30	8.4	3.2	PA-6/66	Std.	Natural
54N.050.0350.0A	M 5	21	12.4	1.7	35	8.4	3.2	PA-6/66	Std.	Natural
54N.050.0400.0A	M 5	21	12.4	1.7	40	8.4	3.2	PA-6/66	Std.	Natural
54N.050.0450.0A	M 5	21	12.4	1.7	45	8.4	3.2	PA-6/66	Std.	Natural
54N.050.0500.0A	M 5	21	12.4	1.7	50	8.4	3.2	PA-6/66	Std.	Natural
54N.050.0550.0A	M 5	21	12.4	1.7	55	8.4	3.2	PA-6/66	Std.	Natural
54N.050.0600.0A	M 5	21	12.4	1.7	60	8.4	3.2	PA-6/66	Std.	Natural
54N.050.0700.0A	M 5	21	12.4	1.7	70	8.4	3.2	PA-6/66	Std.	Natural
54N.060.0060.0A	M 6	21	12.4	1.7	6	8.4	3.2	PA-6/66	Std.	Natural
54N.060.0080.0A	M 6	21	12.4	1.7	8	8.4	3.2	PA-6/66	Std.	Natural
54N.060.0100.0A	M 6	21	12.4	1.7	10	8.4	3.2	PA-6/66	Std.	Natural
54N.060.0120.0A	M 6	21	12.4	1.7	12	8.4	3.2	PA-6/66	Std.	Natural
54N.060.0150.0A	M 6	21	12.4	1.7	15	8.4	3.2	PA-6/66	Std.	Natural
54N.060.0160.0A	M 6	21	12.4	1.7	16	8.4	3.2	PA-6/66	Std.	Natural
54N.060.0170.0A	M 6	21	12.4	1.7	17	8.4	3.2	PA-6/66	Std.	Natural
54N.060.0200.0A	M 6	21	12.4	1.7	20	8.4	3.2	PA-6/66	Std.	Natural
54N.060.0250.0A	M 6	21	12.4	1.7	25	8.4	3.2	PA-6/66	Std.	Natural
54N.060.0300.0A	M 6	21	12.4	1.7	30	8.4	3.2	PA-6/66	Std.	Natural
54N.060.0350.0A	M 6	21	12.4	1.7	35	8.4	3.2	PA-6/66	Std.	Natural
54N.060.0400.0A	M 6	21	12.4	1.7	40	8.4	3.2	PA-6/66	Std.	Natural
54N.060.0450.0A	M 6	21	12.4	1.7	45	8.4	3.2	PA-6/66	Std.	Natural
54N.060.0500.0A	M 6	21	12.4	1.7	50	8.4	3.2	PA-6/66	Std.	Natural
54N.060.0600.0A	M 6	21	12.4	1.7	60	8.4	3.2	PA-6/66	Std.	Natural
54N.060.0700.0A	M 6	21	12.4	1.7	70	8.4	3.2	PA-6/66	Std.	Natural
54N.060.0750.0A	M 6	21	12.4	1.7	75	8.4	3.2	PA-6/66	Std.	Natural
54N.060.0800.0A	M 6	21	12.4	1.7	80	8.4	3.2	PA-6/66	Std.	Natural



Order No.	d ₁	d ₂	h ₁	h ₂	l	w ₁	w ₂	Material	Grade	Colour
54N.060.0850.OA	M 6	21	12.4	1.7	85	8.4	3.2	PA-6/66	Std.	Natural
54N.060.0900.OA	M 6	21	12.4	1.7	90	8.4	3.2	PA-6/66	Std.	Natural
54N.060.0950.OA	M 6	21	12.4	1.7	95	8.4	3.2	PA-6/66	Std.	Natural
54N.060.1000.OA	M 6	21	12.4	1.7	100	8.4	3.2	PA-6/66	Std.	Natural
54N.060.1100.OA	M 6	21	12.4	1.7	110	8.4	3.2	PA-6/66	Std.	Natural
54N.060.1200.OA	M 6	21	12.4	1.7	120	8.4	3.2	PA-6/66	Std.	Natural
54N.060.1300.OA	M 6	21	12.4	1.7	130	8.4	3.2	PA-6/66	Std.	Natural
54N.080.0060.OA	M 8	21	12.4	1.7	6	8.4	3.2	PA-6/66	Std.	Natural
54N.080.0080.OA	M 8	21	12.4	1.7	8	8.4	3.2	PA-6/66	Std.	Natural
54N.080.0100.OA	M 8	21	12.4	1.7	10	8.4	3.2	PA-6/66	Std.	Natural
54N.080.0120.OA	M 8	21	12.4	1.7	12	8.4	3.2	PA-6/66	Std.	Natural
54N.080.0150.OA	M 8	21	12.4	1.7	15	8.4	3.2	PA-6/66	Std.	Natural
54N.080.0160.OA	M 8	21	12.4	1.7	16	8.4	3.2	PA-6/66	Std.	Natural
54N.080.0170.OA	M 8	21	12.4	1.7	17	8.4	3.2	PA-6/66	Std.	Natural
54N.080.0200.OA	M 8	21	12.4	1.7	20	8.4	3.2	PA-6/66	Std.	Natural
54N.080.0250.OA	M 8	21	12.4	1.7	25	8.4	3.2	PA-6/66	Std.	Natural
54N.080.0300.OA	M 8	21	12.4	1.7	30	8.4	3.2	PA-6/66	Std.	Natural
54N.080.0350.OA	M 8	21	12.4	1.7	35	8.4	3.2	PA-6/66	Std.	Natural
54N.080.0400.OA	M 8	21	12.4	1.7	40	8.4	3.2	PA-6/66	Std.	Natural
54N.080.0450.OA	M 8	21	12.4	1.7	45	8.4	3.2	PA-6/66	Std.	Natural
54N.080.0500.OA	M 8	21	12.4	1.7	50	8.4	3.2	PA-6/66	Std.	Natural
54N.080.0600.OA	M 8	21	12.4	1.7	60	8.4	3.2	PA-6/66	Std.	Natural
54N.080.0700.OA	M 8	21	12.4	1.7	70	8.4	3.2	PA-6/66	Std.	Natural
54N.080.0750.OA	M 8	21	12.4	1.7	75	8.4	3.2	PA-6/66	Std.	Natural
54N.080.0800.OA	M 8	21	12.4	1.7	80	8.4	3.2	PA-6/66	Std.	Natural
54N.080.0850.OA	M 8	21	12.4	1.7	85	8.4	3.2	PA-6/66	Std.	Natural
54N.080.0900.OA	M 8	21	12.4	1.7	90	8.4	3.2	PA-6/66	Std.	Natural
54N.080.0950.OA	M 8	21	12.4	1.7	95	8.4	3.2	PA-6/66	Std.	Natural
54N.080.1000.OA	M 8	21	12.4	1.7	100	8.4	3.2	PA-6/66	Std.	Natural
54N.080.1100.OA	M 8	21	12.4	1.7	110	8.4	3.2	PA-6/66	Std.	Natural
54N.080.1200.OA	M 8	21	12.4	1.7	120	8.4	3.2	PA-6/66	Std.	Natural
54N.080.1300.OA	M 8	21	12.4	1.7	130	8.4	3.2	PA-6/66	Std.	Natural
54N.100.0060.OA	M10	21	12.4	1.7	6	8.4	3.2	PA-6/66	Std.	Natural
54N.100.0080.OA	M10	21	12.4	1.7	8	8.4	3.2	PA-6/66	Std.	Natural
54N.100.0100.OA	M10	21	12.4	1.7	10	8.4	3.2	PA-6/66	Std.	Natural
54N.100.0120.OA	M10	21	12.4	1.7	12	8.4	3.2	PA-6/66	Std.	Natural
54N.100.0150.OA	M10	21	12.4	1.7	15	8.4	3.2	PA-6/66	Std.	Natural
54N.100.0160.OA	M10	21	12.4	1.7	16	8.4	3.2	PA-6/66	Std.	Natural
54N.100.0170.OA	M10	21	12.4	1.7	17	8.4	3.2	PA-6/66	Std.	Natural
54N.100.0200.OA	M10	21	12.4	1.7	20	8.4	3.2	PA-6/66	Std.	Natural
54N.100.0250.OA	M10	21	12.4	1.7	25	8.4	3.2	PA-6/66	Std.	Natural
54N.100.0300.OA	M10	21	12.4	1.7	30	8.4	3.2	PA-6/66	Std.	Natural
54N.100.0350.OA	M10	21	12.4	1.7	35	8.4	3.2	PA-6/66	Std.	Natural
54N.100.0400.OA	M10	21	12.4	1.7	40	8.4	3.2	PA-6/66	Std.	Natural
54N.100.0450.OA	M10	21	12.4	1.7	45	8.4	3.2	PA-6/66	Std.	Natural
54N.100.0500.OA	M10	21	12.4	1.7	50	8.4	3.2	PA-6/66	Std.	Natural
54N.100.0600.OA	M10	21	12.4	1.7	60	8.4	3.2	PA-6/66	Std.	Natural
54N.100.0700.OA	M10	21	12.4	1.7	70	8.4	3.2	PA-6/66	Std.	Natural
54N.100.0750.OA	M10	21	12.4	1.7	75	8.4	3.2	PA-6/66	Std.	Natural
54N.100.0800.OA	M10	21	12.4	1.7	80	8.4	3.2	PA-6/66	Std.	Natural
54N.100.0850.OA	M10	21	12.4	1.7	85	8.4	3.2	PA-6/66	Std.	Natural
54N.100.0900.OA	M10	21	12.4	1.7	90	8.4	3.2	PA-6/66	Std.	Natural
54N.100.0950.OA	M10	21	12.4	1.7	95	8.4	3.2	PA-6/66	Std.	Natural
54N.100.1000.OA	M10	21	12.4	1.7	100	8.4	3.2	PA-6/66	Std.	Natural
54N.100.1100.OA	M10	21	12.4	1.7	110	8.4	3.2	PA-6/66	Std.	Natural
54N.100.1200.OA	M10	21	12.4	1.7	120	8.4	3.2	PA-6/66	Std.	Natural
54N.100.1300.OA	M10	21	12.4	1.7	130	8.4	3.2	PA-6/66	Std.	Natural
54N.120.0100.OA	M12	21	12.4	1.7	10	8.4	3.2	PA-6/66	Std.	Natural
54N.120.0120.OA	M12	21	12.4	1.7	12	8.4	3.2	PA-6/66	Std.	Natural
54N.120.0160.OA	M12	21	12.4	1.7	16	8.4	3.2	PA-6/66	Std.	Natural
54N.120.0200.OA	M12	21	12.4	1.7	20	8.4	3.2	PA-6/66	Std.	Natural
54N.120.0250.OA	M12	21	12.4	1.7	25	8.4	3.2	PA-6/66	Std.	Natural
54N.120.0300.OA	M12	21	12.4	1.7	30	8.4	3.2	PA-6/66	Std.	Natural
54N.120.0350.OA	M12	21	12.4	1.7	35	8.4	3.2	PA-6/66	Std.	Natural
54N.120.0400.OA	M12	21	12.4	1.7	40	8.4	3.2	PA-6/66	Std.	Natural
54N.120.0450.OA	M12	21	12.4	1.7	45	8.4	3.2	PA-6/66	Std.	Natural
54N.120.0500.OA	M12	21	12.4	1.7	50	8.4	3.2	PA-6/66	Std.	Natural
54N.120.0600.OA	M12	21	12.4	1.7	60	8.4	3.2	PA-6/66	Std.	Natural
54N.120.0700.OA	M12	21	12.4	1.7	70	8.4	3.2	PA-6/66	Std.	Natural



Washers Faced Wing Screws with stud

Nylon

Order No.	d ₁	d ₂	h ₁	h ₂	l	w ₁	w ₂	Material	Grade	Colour
54N.120.0750.0A	M12	21	12.4	1.7	75	8.4	3.2	PA-6/66	Std.	Natural
54N.120.0800.0A	M12	21	12.4	1.7	80	8.4	3.2	PA-6/66	Std.	Natural
54N.120.0850.0A	M12	21	12.4	1.7	85	8.4	3.2	PA-6/66	Std.	Natural
54N.120.0900.0A	M12	21	12.4	1.7	90	8.4	3.2	PA-6/66	Std.	Natural
54N.120.0950.0A	M12	21	12.4	1.7	95	8.4	3.2	PA-6/66	Std.	Natural
54N.120.1000.0A	M12	21	12.4	1.7	100	8.4	3.2	PA-6/66	Std.	Natural
54N.120.1100.0A	M12	21	12.4	1.7	110	8.4	3.2	PA-6/66	Std.	Natural
54N.120.1200.0A	M12	21	12.4	1.7	120	8.4	3.2	PA-6/66	Std.	Natural
54N.120.1300.0A	M12	21	12.4	1.7	130	8.4	3.2	PA-6/66	Std.	Natural

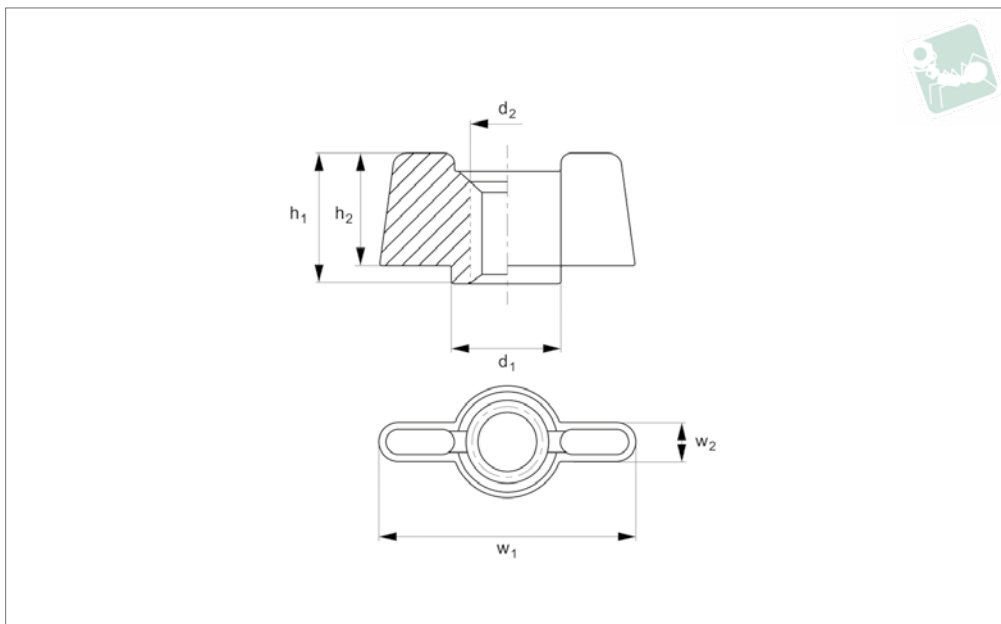
NYLON



NYLON



N0512

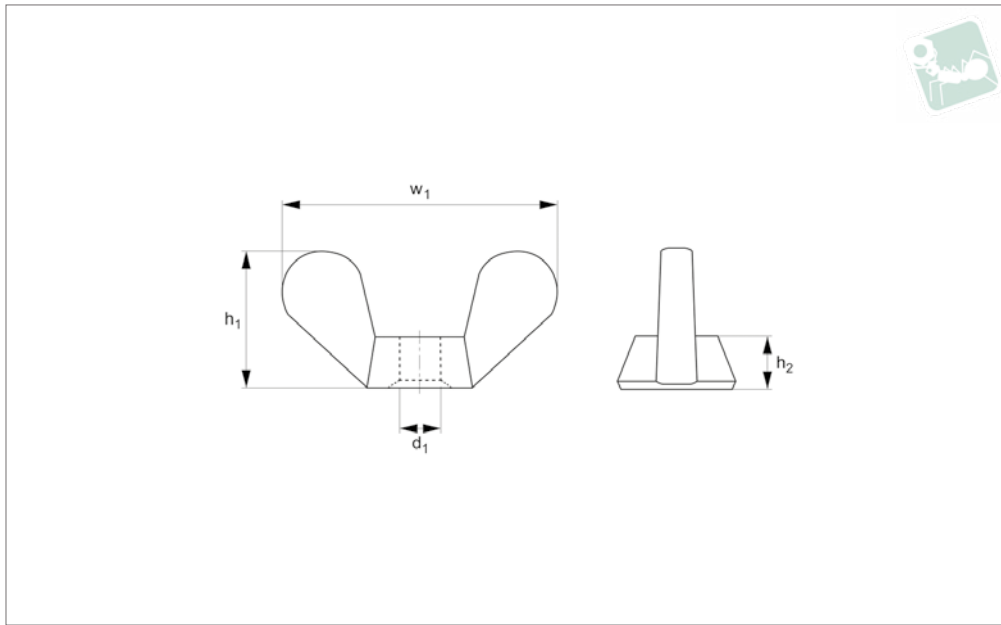


Material
white Nylon.

properties. Resists temperature from -30°C to + 100°C.

Technical Notes
Light and rustproof. Good mechanical

Order No.	d_1	d_2	h_1	h_2	w_1	w_2	Material	Grade	Colour
N0512.040.0W	M 4	10.5	13.5	11.8	25.0	4.0	Nylon	Std	white
N0512.050.0W	M 5	10.5	13.5	11.8	25.0	4.0	Nylon	Std	white
N0512.060.0W	M 6	10.5	13.5	11.8	25.0	4.0	Nylon	Std	white



N0510

NYLON

Material
Nylon.

Manual tightening. Lightweight.
Good resistance to wear and weather conditions.

Technical Notes
For finishing applications.

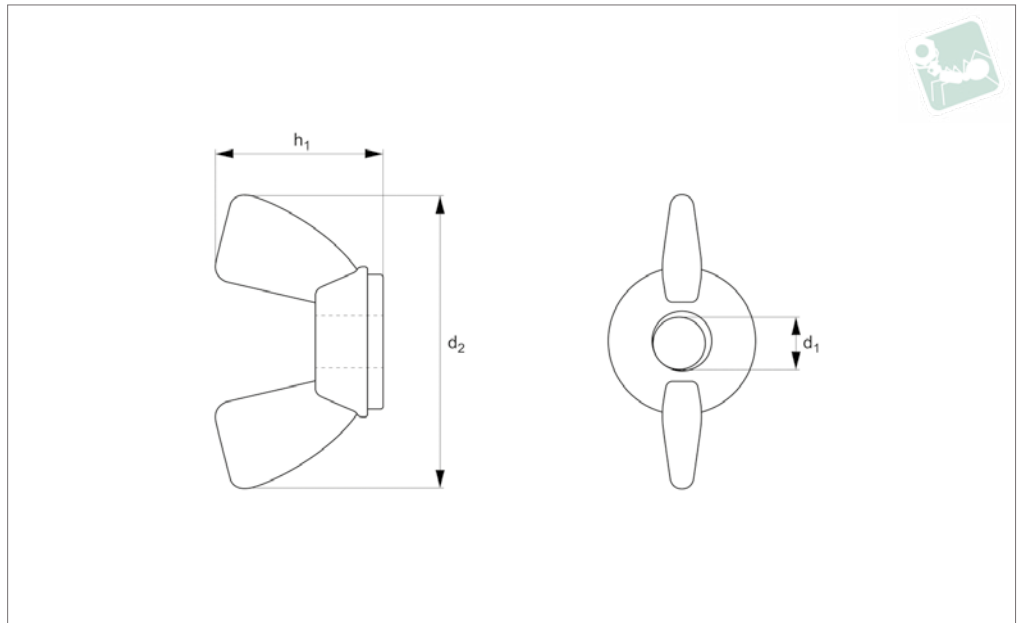
Order No.	d_1	h_1	h_2	w_1	Material	Grade	Colour	To standard
N0510.040.0AD	M 4	10.0	5.0	15.0	Nylon	Std	Natural	DIN 315
N0510.050.0AD	M 5	16.0	8.2	28.3	Nylon	Std	Natural	DIN 315
N0510.060.0AD	M 6	16.0	8.2	28.3	Nylon	Std	Natural	DIN 315
N0510.080.0AD	M 8	19.8	10.0	35.8	Nylon	Std	Natural	DIN 315
N0510.100.0AD	M10	24.8	10.0	43.5	Nylon	Std	Natural	DIN 315



NYLON



N0511



Material

Nylon PA66, natural white.

Manual tightening. Lightweight.

Good resistance to wear and weather conditions.

Technical Notes

For finishing applications.

Order No.	d ₁	d ₂	h
N0511.040.0A	M 4	22.8	12.2
N0511.050.0A	M 5	22.8	12.2
N0511.060.0A	M 6	27.7	16.0
N0511.080.0A	M 8	34.8	18.3
N0511.100.0A	M10	34.8	18.3
N0511.120.0A	M12	44.7	22.7