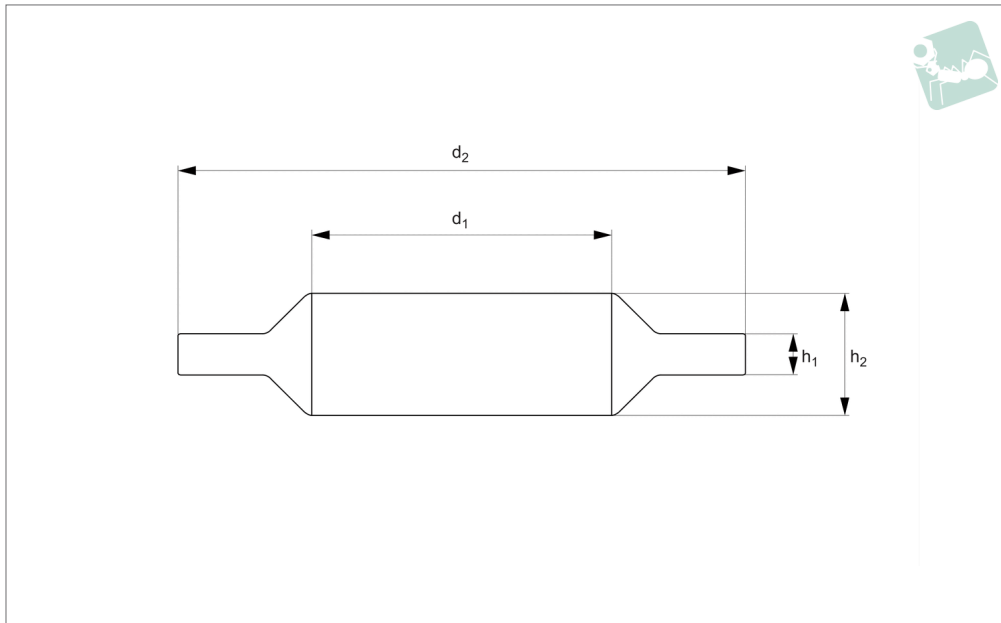




Locking and Sealing Washers

Locking and Sealing

Nylon



N0420.15N

NYLON

Material

Nylon 66 (PA 6/66), standard.

Technical Notes

DIN norms were created for metal parts, the dimensions of our plastic DIN equivalents are close to the norm but do not

follow the strict tolerances typically relevant to metal parts.

Many Nylon parts are available in dyed black, this subject to a minimum value and process charge, please contact us for further details.

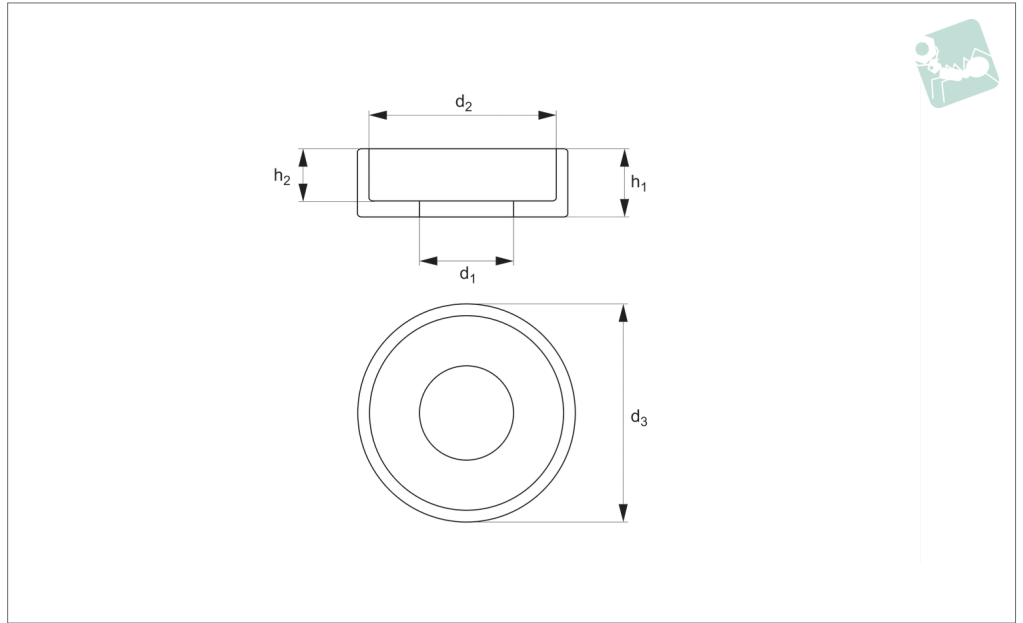
Dyed black colour is not long term UV stable. Nylon parts offer good electrical insulation, is resistant to corrosion and most dilute acids.

Nylon protects work surfaces and absorbs shocks and vibrations.

| Order No. | For thread | For thread inch | d_1 | d_2 | h_1 | h_2 | Material | Grade | Finish |
|------------------|------------|-----------------|-------|-------|-------|-------|----------|-------|---------|
| 15N.030.0070.0A | M 3 | 1/8" | 3.1 | 7.0 | 0.7 | 1.4 | PA-6/66 | Std | Natural |
| 15N.040.0090.0A | M 4 | 5/32" | 4.1 | 9.0 | 1.25 | 2.8 | PA-6/66 | Std | Natural |
| 15N.050.0104.0A | M 5 | 3/16" | 5.1 | 10.4 | 1.4 | 3.5 | PA-6/66 | Std | Natural |
| 15N.060.0120.0A | M 6 | - | 6.1 | 12.0 | 1.6 | 4.0 | PA-6/66 | Std | Natural |
| 15N.060.0107.0A | M 6 | - | 6.4 | 10.7 | 1.0 | 3.7 | PA-6/66 | Std | Natural |
| 15N.080.0158.0A | M 8 | 5/16" | 8.1 | 15.8 | 2.1 | 4.6 | PA-6/66 | Std | Natural |
| 15N.100.0196.0A | M10 | 3/8" | 10.0 | 19.6 | 2.1 | 5.3 | PA-6/66 | Std | Natural |
| 15N.100.0178.0A | M10 | - | 10.3 | 17.8 | 2.1 | 5.0 | PA-6/66 | Std | Natural |
| 15N.120.0220.0A | M12 | 7/16" | 12.0 | 22.0 | 2.3 | 5.8 | PA-6/66 | Std | Natural |
| 15N.140.0252.0A | M14 | 9/16" | 14.0 | 25.2 | 2.5 | 5.5 | PA-6/66 | Std | Natural |
| 15N.160.0294.0A | M16 | 5/8" | 16.2 | 29.4 | 2.6 | 6.2 | PA-6/66 | Std | Natural |
| 15N.180.0315.0A | M18 | 3/4" | 18.1 | 31.5 | 2.7 | 6.9 | PA-6/66 | Std | Natural |
| 15N.200.0355.0A | M20 | - | 20.2 | 35.5 | 2.8 | 6.9 | PA-6/66 | Std | Natural |
| 15N.200.0315.0A | M20 | - | 20.3 | 31.5 | 2.7 | 7.0 | PA-6/66 | Std | Natural |
| 15N.220.0360.0A | M22 | 7/8" | 22.5 | 36.0 | 2.5 | 6.0 | PA-6/66 | Std | Natural |
| 15N.240.0378.0A | M24 | - | 24.3 | 37.8 | 3.0 | 7.9 | PA-6/66 | Std | Natural |
| 15N.270.0400.0A | M27 | - | 27.3 | 40.0 | 3.1 | 7.9 | PA-6/66 | Std | Natural |
| 15N.300.0492.0A | M30 | 1 1/8" | 30.2 | 49.2 | 3.2 | 9.3 | PA-6/66 | Std | Natural |
| 15N.330.0501.0A | M33 | 1 1/4" | 33.2 | 50.1 | 3.4 | 9.5 | PA-6/66 | Std | Natural |
| 15N.360.0640.0A | M36 | 1 3/8" | 36.4 | 64.0 | 3.8 | 11.8 | PA-6/66 | Std | Natural |
| 15N.390.0690.0A | M39 | 1 1/2" | 39.2 | 69.0 | 3.8 | 10.3 | PA-6/66 | Std | Natural |
| 15N.1/2.0230.0A | - | 1/2" | 12.8 | 23.0 | 2.2 | 5.5 | PA-6/66 | Std | Natural |
| 15N.3/4.0315.0A | - | 3/4" | 19.2 | 31.5 | 2.7 | 6.9 | PA-6/66 | Std | Natural |
| 15N.1.0450.0A | - | 1" | 25.6 | 45.0 | 3.0 | 8.0 | PA-6/66 | Std | Natural |
| 15N.R3/4.0340.0A | - | R3/4" | 26.5 | 34.0 | 2.0 | 5.6 | PA-6/66 | Std | Natural |



N0431.31N



NYLON

Material

Nylon 66 (PA 6/66), standard. Natural or black.

Technical Notes

Cup finishing washers for use with cheese

head screws.

Nylon parts offer good electrical insulation, is resistant to corrosion and most dilute acids.

Nylon protects work surfaces and absorbs

shocks and vibrations.

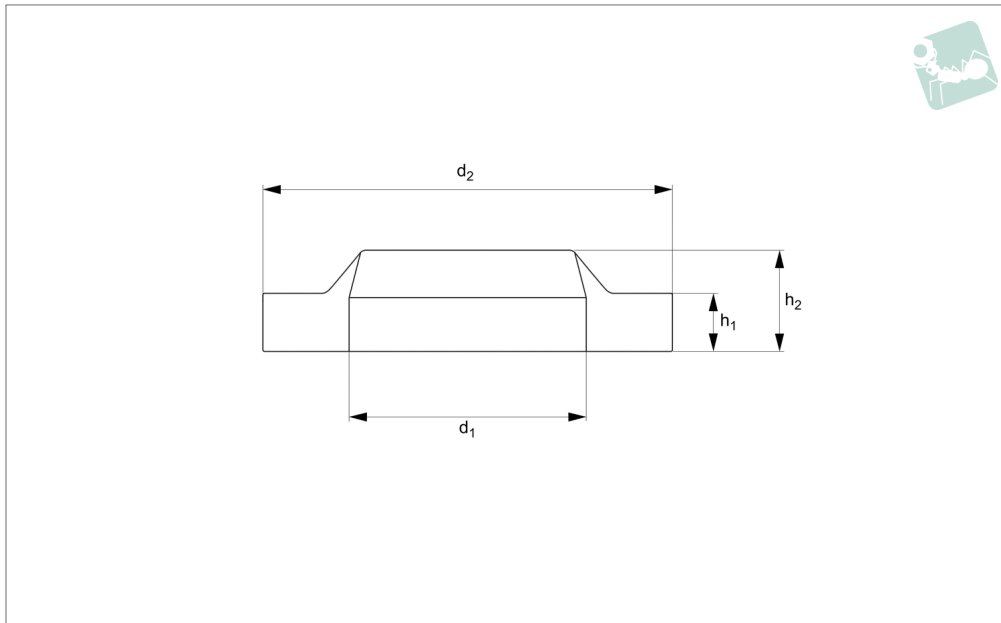
| Order No. | For thread | d ₁ | d ₂ | d ₃ | h ₁ | h ₂ | Material | Grade | Finish |
|-----------------------|------------|----------------|----------------|----------------|----------------|----------------|----------|-------|---------|
| 31N.003.085.0A | M 3 | 3.0 | 6.0 | 8.5 | 2.2 | 1.2 | PA-6/66 | Std. | Natural |
| 31N.004.105.0A | M 4 | 4.3 | 8.0 | 10.5 | 2.8 | 1.7 | PA-6/66 | Std. | Natural |
| 31N.005.127.0A | M 5 | 5.3 | 10.0 | 12.7 | 3.4 | 2.2 | PA-6/66 | Std. | Natural |
| 31N.006.139.0A | M 6 | 6.4 | 12.3 | 13.9 | 3.3 | 2.3 | PA-6/66 | Std. | Natural |
| 31N.006.150.0A | M 6 | 6.5 | 11.9 | 15.0 | 4.0 | 2.6 | PA-6/66 | Std. | Natural |
| 31N.008.200.0A | M 8 | 8.4 | 16.0 | 20.0 | 5.0 | 3.5 | PA-6/66 | Std. | Natural |
| 31N.003.085.0B | M 3 | 3.0 | 6.0 | 8.5 | 2.2 | 1.2 | PA-6/66 | Std. | Black |
| 31N.004.105.0B | M 4 | 4.3 | 8.0 | 10.5 | 2.8 | 1.7 | PA-6/66 | Std. | Black |
| 31N.005.127.0B | M 5 | 5.3 | 10.0 | 12.7 | 3.4 | 2.2 | PA-6/66 | Std. | Black |
| 31N.006.139.0B | M 6 | 6.4 | 12.3 | 13.9 | 3.3 | 2.3 | PA-6/66 | Std. | Black |
| 31N.006.150.0B | M 6 | 6.5 | 11.9 | 15.0 | 4.0 | 2.6 | PA-6/66 | Std. | Black |
| 31N.008.200.0B | M 8 | 8.4 | 16.0 | 20.0 | 5.0 | 3.5 | PA-6/66 | Std. | Black |



Anti-Loss Washer

Anti-Loss

Nylon



N0430.18N

NYLON

Material

Nylon 66 (PA 6/66), standard.

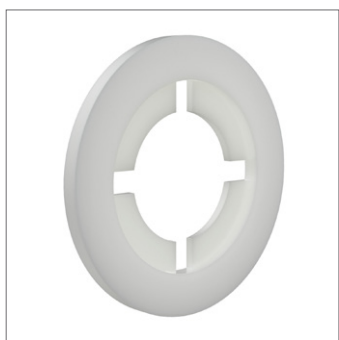
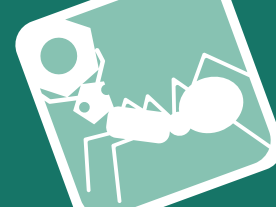
Technical Notes

Anti-loss washer's tapered design results in tapered part clinching into the pitch of the thread, and hence preventing loss.

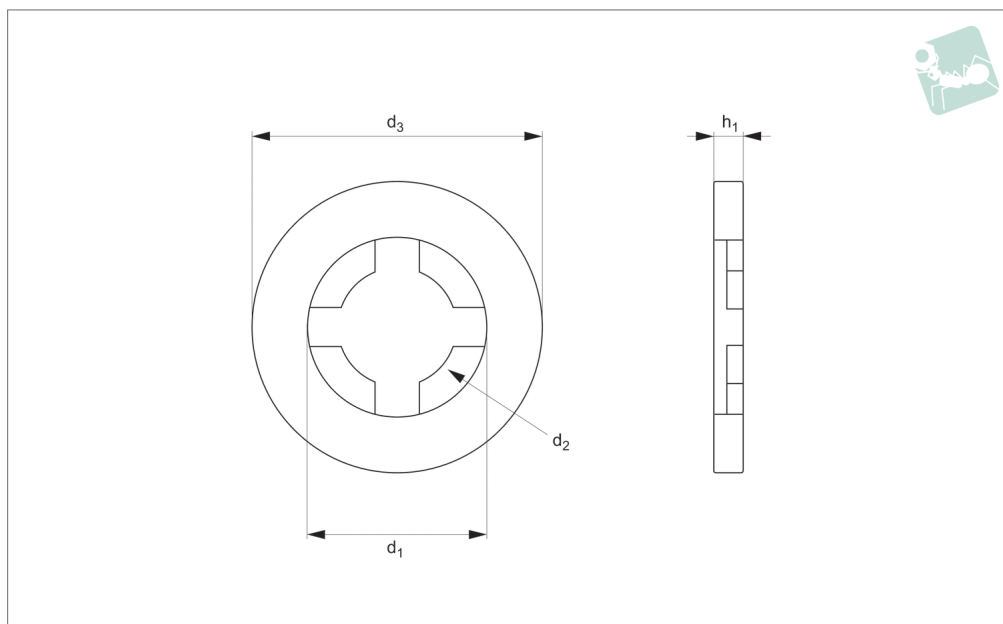
Anti-loss washer can only be removed through fully unscrewing the washer. Many Nylon parts are available in dyed black, this subject to a minimum value and process charge, please contact us for further details.

Dyed black colour is not long term UV stable. Nylon parts offer good electrical insulation, is resistant to corrosion and most dilute acids. Nylon protects work surfaces and absorbs shocks and vibrations.

| Order No. | For thread | d ₁ | d ₂ | h ₁ | h ₂ | Material | Grade | Finish |
|-----------------|------------|----------------|----------------|----------------|----------------|----------|-------|---------|
| 18N.035.0091.0A | M3,5 | 3.6 | 9.1 | 1.2 | 2.7 | PA-6/66 | Std | Natural |
| 18N.040.0090.0A | M 4 | 4.1 | 9.0 | 1.6 | 3.0 | PA-6/66 | Std | Natural |
| 18N.050.0101.0A | M 5 | 5.0 | 10.1 | 1.6 | 3.1 | PA-6/66 | Std | Natural |
| 18N.060.0125.0A | M 6 | 6.3 | 12.5 | 1.3 | 2.7 | PA-6/66 | Std | Natural |
| 18N.080.0162.0A | M 8 | 8.2 | 16.2 | 1.6 | 3.5 | PA-6/66 | Std | Natural |
| 18N.100.0150.0A | M10 | 10.5 | 15.0 | 2.1 | 4.3 | PA-6/66 | Std | Natural |
| 18N.1/4.0189.0A | R 1/4" | 13.2 | 18.9 | 2.6 | 4.5 | PA-6/66 | Std | Natural |
| 18N.3/8.0230.0A | R 3/8" | 17.7 | 23.0 | 2.1 | 4.5 | PA-6/66 | Std | Natural |
| 18N.1/2.0276.0A | R 1/2" | 21.5 | 27.6 | 2.1 | 4.2 | PA-6/66 | Std | Natural |



N0434.21N



Material

Nylon 66 (PA 6/66), standard.

Technical Notes

Used for pre-assembly of screws and washers, with no risk of loss, to reduce final assembly cost.

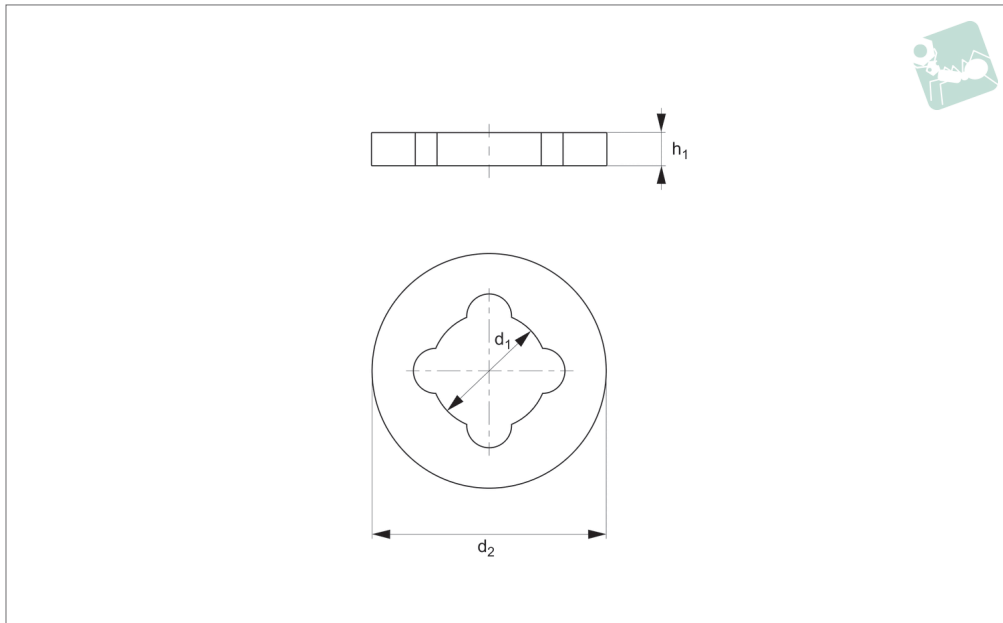
Many Nylon parts are available in dyed black, this subject to a minimum value and process charge, please contact us for further details.

Dyed black colour is not long term UV stable. Nylon parts offer good electrical

insulation, is resistant to corrosion and most dilute acids.

Nylon protects work surfaces and absorbs shocks and vibrations.

| Order No. | For thread | d ₁ | d ₂ | d ₃ | h | Material | Grade | Finish |
|------------------|------------|----------------|----------------|----------------|------|----------|-------|---------|
| 21N.020051.008A | M 2 | 2.92 | 1.98 | 5.16 | 0.81 | PA-6/66 | Std | Natural |
| 21N.020051.015A | M 2 | 2.92 | 1.98 | 5.16 | 1.57 | PA-6/66 | Std | Natural |
| 21N.030067.008A | M 3 | 3.96 | 2.59 | 6.73 | 0.81 | PA-6/66 | Std | Natural |
| 21N.030067.015A | M 3 | 3.96 | 2.59 | 6.73 | 1.57 | PA-6/66 | Std | Natural |
| 21N.030070.010A | M 3 | 2.4 | 3.9 | 7.0 | 1.0 | PA-6/66 | Std | Natural |
| 21N.035083.008A | M3,5 | 5.03 | 3.25 | 8.33 | 0.81 | PA-6/66 | Std | Natural |
| 21N.035083.015A | M3,5 | 5.03 | 3.25 | 8.33 | 1.57 | PA-6/66 | Std | Natural |
| 21N.040099.008A1 | M 4 | 5.97 | 3.86 | 9.91 | 0.81 | PA-6/66 | Std | Natural |
| 21N.040099.015A | M 4 | 5.97 | 3.86 | 9.91 | 1.57 | PA-6/66 | Std | Natural |
| 21N.050011.008A | M 5 | 7.04 | 4.50 | 11.51 | 0.81 | PA-6/66 | Std | Natural |
| 21N.050011.015A | M 5 | 7.04 | 4.50 | 11.51 | 1.57 | PA-6/66 | Std | Natural |
| 21N.060012.008A | M 6 | 8.74 | 5.94 | 12.70 | 0.81 | PA-6/66 | Std | Natural |
| 21N.080018.008A | M 8 | 11.94 | 7.42 | 18.64 | 0.81 | PA-6/66 | Std | Natural |
| 21N.080018.015A | M 8 | 11.94 | 7.42 | 18.64 | 1.57 | PA-6/66 | Std | Natural |
| 21N.100022.008A | M10 | 14.33 | 8.89 | 22.61 | 0.81 | PA-6/66 | Std | Natural |
| 21N.120026.08A | M12 | 14.48 | 10.41 | 26.19 | 0.81 | PA-6/66 | Std | Natural |
| 21N.7/16026.015A | 7/16 | 14.48 | 10.41 | 26.19 | 1.57 | PA-6/66 | Std | Natural |



N0432.20N

NYLON

Material

Nylon 66 (PA 6/66), standard.

Technical Notes

Anti-loss washer's tapered design results in tapered part clinching into the pitch of the thread, and hence preventing loss.

Anti-loss washer can only be removed through fully unscrewing the washer. Many Nylon parts are available in dyed black, this subject to a minimum value and process charge, please contact us for further details.

Dyed black colour is not long term UV stable. Nylon parts offer good electrical insulation, is resistant to corrosion and most dilute acids.

Nylon protects work surfaces and absorbs shocks and vibrations.

| Order No. | For thread | d ₁ | d ₂ | h ₁ | Material | Grade | Finish |
|-----------------|------------|----------------|----------------|----------------|----------|-------|---------|
| 20N.050100.005A | M 5 | 4.3 | 10.0 | 0.5 | PA-6/66 | Std | Natural |
| 20N.050100.008A | M 5 | 4.3 | 10.0 | 0.8 | PA-6/66 | Std | Natural |
| 20N.050100.010A | M 5 | 4.3 | 10.0 | 1.0 | PA-6/66 | Std | Natural |
| 20N.050120.005A | M 5 | 4.3 | 12.0 | 0.5 | PA-6/66 | Std | Natural |
| 20N.050120.008A | M 5 | 4.3 | 12.0 | 0.8 | PA-6/66 | Std | Natural |
| 20N.050120.010A | M 5 | 4.3 | 12.0 | 1.0 | PA-6/66 | Std | Natural |
| 20N.060120.005A | M 6 | 5.1 | 12.0 | 0.5 | PA-6/66 | Std | Natural |
| 20N.060120.008A | M 6 | 5.1 | 12.0 | 0.8 | PA-6/66 | Std | Natural |
| 20N.060120.010A | M 6 | 5.1 | 12.0 | 1.0 | PA-6/66 | Std | Natural |
| 20N.080140.005A | M 8 | 6.2 | 14.0 | 0.5 | PA-6/66 | Std | Natural |
| 20N.080140.008A | M 8 | 6.2 | 14.0 | 0.8 | PA-6/66 | Std | Natural |
| 20N.080140.010A | M 8 | 6.2 | 14.0 | 1.0 | PA-6/66 | Std | Natural |
| 20N.100200.005A | M10 | 8.4 | 20.0 | 0.5 | PA-6/66 | Std | Natural |
| 20N.100200.008A | M10 | 8.4 | 20.0 | 0.8 | PA-6/66 | Std | Natural |
| 20N.100200.010A | M10 | 8.4 | 20.0 | 1.0 | PA-6/66 | Std | Natural |
| 20N.120200.005A | M12 | 9.8 | 20.0 | 0.5 | PA-6/66 | Std | Natural |
| 20N.120200.008A | M12 | 9.8 | 20.0 | 0.8 | PA-6/66 | Std | Natural |
| 20N.120200.010A | M12 | 9.8 | 20.0 | 1.0 | PA-6/66 | Std | Natural |
| 20N.160280.005A | M16 | 13.5 | 28.0 | 0.5 | PA-6/66 | Std | Natural |
| 20N.160280.008A | M16 | 13.5 | 28.0 | 0.8 | PA-6/66 | Std | Natural |
| 20N.160280.010A | M16 | 13.5 | 28.0 | 1.0 | PA-6/66 | Std | Natural |