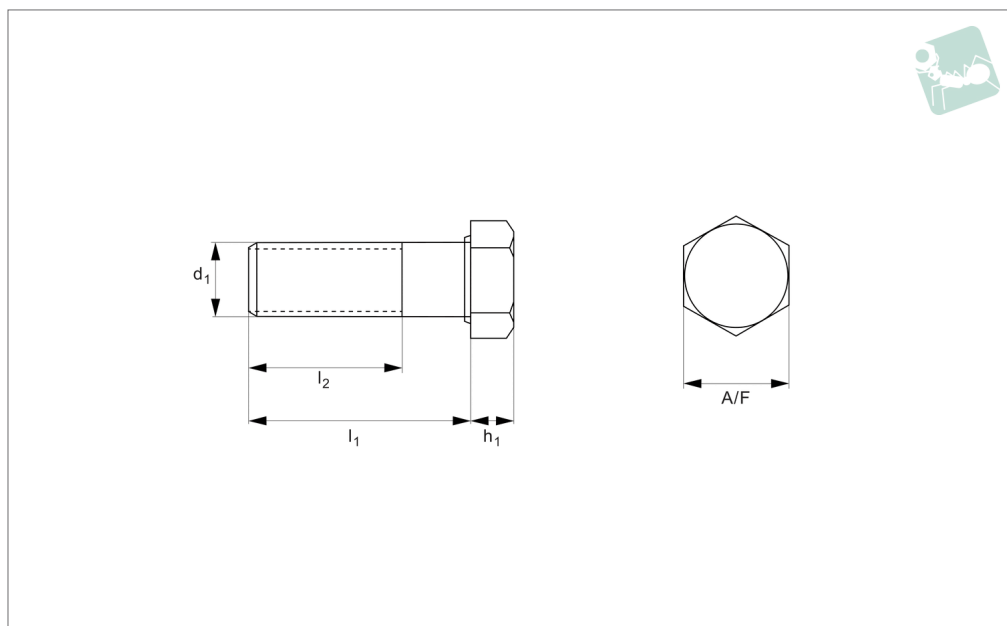




Hexagon Head Bolts

with shank, DIN 931

Brass



B0007.B0

BRASS

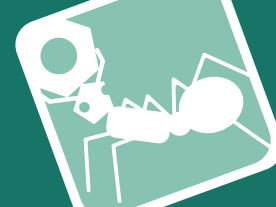
Material

Brass, Cu3 (CuZn39Pb3).

Technical Notes

To DIN 931, ISO 4014.

Order No.	Thread d ₁	l ₁	h ₁	l ₂	A/F
B0007.050-025	M 5	25	3.35	16	8
B0007.050-030	M 5	30	3.35	16	8
B0007.050-035	M 5	35	3.35	16	8
B0007.050-040	M 5	40	3.35	16	8
B0007.050-045	M 5	45	3.35	16	8
B0007.050-050	M 5	50	3.35	16	8
B0007.050-055	M 5	55	3.35	16	8
B0007.050-060	M 5	60	3.35	16	8
B0007.050-065	M 5	65	3.35	16	8
B0007.050-070	M 5	70	3.35	16	8
B0007.050-075	M 5	75	3.35	16	8
B0007.050-080	M 5	80	3.35	16	8
B0007.050-085	M 5	85	3.35	16	8
B0007.050-090	M 5	90	3.35	16	8
B0007.050-095	M 5	95	3.35	16	8
B0007.050-100	M 5	100	3.35	16	8
B0007.060-025	M 6	25	3.85	18	10
B0007.060-030	M 6	30	3.85	18	10
B0007.060-035	M 6	35	3.85	18	10
B0007.060-040	M 6	40	3.85	18	10
B0007.060-045	M 6	45	3.85	18	10
B0007.060-050	M 6	50	3.85	18	10
B0007.060-055	M 6	55	3.85	18	10
B0007.060-060	M 6	60	3.85	18	10
B0007.060-065	M 6	65	3.85	18	10
B0007.060-070	M 6	70	3.85	18	10
B0007.060-075	M 6	75	3.85	18	10
B0007.060-080	M 6	80	3.85	18	10
B0007.060-085	M 6	85	3.85	18	10
B0007.060-090	M 6	90	3.85	18	10
B0007.060-100	M 6	100	3.85	18	10
B0007.060-110	M 6	110	3.85	18	10
B0007.060-120	M 6	120	3.85	18	10
B0007.060-130	M 6	130	3.85	18	10
B0007.060-140	M 6	140	3.85	18	10



Order No.	Thread d ₁	l ₁	h ₁	l ₂	A/F
B0007.060-150	M 6	150	3.85	18	10
B0007.060-160	M 6	160	3.85	18	10
B0007.060-170	M 6	170	3.85	18	10
B0007.060-180	M 6	180	3.85	18	10
B0007.060-190	M 6	190	3.85	18	10
B0007.060-200	M 6	200	3.85	18	10
B0007.080-030	M 8	30	5.15	22	13
B0007.080-035	M 8	35	5.15	22	13
B0007.080-040	M 8	40	5.15	22	13
B0007.080-045	M 8	45	5.15	22	13
B0007.080-050	M 8	50	5.15	22	13
B0007.080-055	M 8	55	5.15	22	13
B0007.080-060	M 8	60	5.15	22	13
B0007.080-065	M 8	65	5.15	22	13
B0007.080-070	M 8	70	5.15	22	13
B0007.080-075	M 8	75	5.15	22	13
B0007.080-080	M 8	80	5.15	22	13
B0007.080-085	M 8	85	5.15	22	13
B0007.080-090	M 8	90	5.15	22	13
B0007.080-095	M 8	95	5.15	22	13
B0007.080-100	M 8	100	5.15	22	13
B0007.080-110	M 8	110	5.15	22	13
B0007.080-120	M 8	120	5.15	22	13
B0007.080-130	M 8	130	5.15	22	13
B0007.080-140	M 8	140	5.15	22	13
B0007.080-150	M 8	150	5.15	22	13
B0007.080-160	M 8	160	5.15	22	13
B0007.080-170	M 8	170	5.15	22	13
B0007.080-180	M 8	180	5.15	22	13
B0007.080-190	M 8	190	5.15	22	13
B0007.080-200	M 8	200	5.15	22	13
B0007.080-210	M 8	210	5.15	22	13
B0007.080-220	M 8	220	5.15	22	13
B0007.080-230	M 8	230	5.15	22	13
B0007.100-035	M10	35	6.22	26	17
B0007.100-040	M10	40	6.22	26	17
B0007.100-045	M10	45	6.22	26	17
B0007.100-050	M10	50	6.22	26	17
B0007.100-055	M10	55	6.22	26	17
B0007.100-060	M10	60	6.22	26	17
B0007.100-065	M10	65	6.22	26	17
B0007.100-070	M10	70	6.22	26	17
B0007.100-075	M10	75	6.22	26	17
B0007.100-080	M10	80	6.22	26	17
B0007.100-085	M10	85	6.22	26	17
B0007.100-090	M10	90	6.22	26	17
B0007.100-095	M10	95	6.22	26	17
B0007.100-100	M10	100	6.22	26	17
B0007.100-110	M10	110	6.22	26	17
B0007.100-120	M10	120	6.22	26	17
B0007.100-130	M10	130	6.22	26	17
B0007.100-140	M10	140	6.22	26	17
B0007.100-150	M10	150	6.22	26	17
B0007.100-160	M10	160	6.22	26	17
B0007.100-170	M10	170	6.22	26	17
B0007.100-180	M10	180	6.22	26	17
B0007.100-190	M10	190	6.22	26	17
B0007.100-200	M10	200	6.22	26	17
B0007.100-210	M10	210	6.22	26	17
B0007.100-220	M10	220	6.22	26	17
B0007.100-230	M10	230	6.22	26	17
B0007.100-240	M10	240	6.22	26	17
B0007.100-250	M10	250	6.22	26	17
B0007.100-260	M10	260	6.22	26	17
B0007.100-270	M10	270	6.22	26	17
B0007.100-280	M10	280	6.22	26	17
B0007.100-290	M10	290	6.22	26	17
B0007.100-300	M10	300	6.22	26	17
B0007.100-310	M10	310	6.22	26	17



Hexagon Head Bolts

with shank, DIN 931

Brass

Order No.	Thread d ₁	l ₁	h ₁	l ₂	A/F
B0007.100-320	M10	320	6.22	26	17
B0007.100-340	M10	340	6.22	26	17
B0007.100-360	M10	360	6.22	26	17
B0007.100-380	M10	380	6.22	26	17
B0007.100-400	M10	400	6.22	26	17
B0007.100-420	M10	420	6.22	26	17
B0007.100-440	M10	440	6.22	26	17
B0007.100-460	M10	460	6.22	26	17
B0007.100-480	M10	480	6.22	26	17
B0007.100-500	M10	500	6.22	26	17
B0007.120-040	M12	40	7.32	30	19
B0007.120-045	M12	45	7.32	30	19
B0007.120-050	M12	50	7.32	30	19
B0007.120-055	M12	55	7.32	30	19
B0007.120-060	M12	60	7.32	30	19
B0007.120-065	M12	65	7.32	30	19
B0007.120-070	M12	70	7.32	30	19
B0007.120-075	M12	75	7.32	30	19
B0007.120-080	M12	80	7.32	30	19
B0007.120-085	M12	85	7.32	30	19
B0007.120-090	M12	90	7.32	30	19
B0007.120-095	M12	95	7.32	30	19
B0007.120-110	M12	110	7.32	30	19
B0007.120-120	M12	120	7.32	30	19
B0007.120-130	M12	130	7.32	30	19
B0007.120-140	M12	140	7.32	30	19
B0007.120-150	M12	150	7.32	30	19
B0007.120-160	M12	160	7.32	30	19
B0007.120-170	M12	170	7.32	30	19
B0007.120-180	M12	180	7.32	30	19
B0007.120-190	M12	190	7.32	30	19
B0007.120-200	M12	200	7.32	30	19
B0007.120-210	M12	210	7.32	30	19
B0007.120-220	M12	220	7.32	30	19
B0007.120-230	M12	230	7.32	30	19
B0007.120-240	M12	240	7.32	30	19
B0007.120-250	M12	250	7.32	30	19
B0007.120-260	M12	260	7.32	30	19
B0007.120-270	M12	270	7.32	30	19
B0007.120-280	M12	280	7.32	30	19
B0007.120-290	M12	290	7.32	30	19
B0007.120-300	M12	300	7.32	30	19
B0007.120-320	M12	320	7.32	30	19
B0007.120-340	M12	340	7.32	30	19
B0007.120-360	M12	360	7.32	30	19
B0007.120-380	M12	380	7.32	30	19
B0007.120-400	M12	400	7.32	30	19
B0007.120-420	M12	420	7.32	30	19
B0007.120-440	M12	440	7.32	30	19
B0007.120-460	M12	460	7.32	30	19
B0007.120-480	M12	480	7.32	30	19
B0007.120-500	M12	500	7.32	30	19
B0007.140-050	M14	50	8.62	34	22
B0007.140-055	M14	55	8.62	34	22
B0007.140-060	M14	60	8.62	34	22
B0007.140-065	M14	65	8.62	34	22
B0007.140-070	M14	70	8.62	34	22
B0007.140-075	M14	75	8.62	34	22
B0007.140-080	M14	80	8.62	34	22
B0007.140-085	M14	85	8.62	34	22
B0007.140-090	M14	90	8.62	34	22
B0007.140-095	M14	95	8.62	34	22
B0007.140-100	M14	100	8.62	34	22
B0007.140-110	M14	110	8.62	34	22
B0007.140-120	M14	120	8.62	34	22
B0007.140-130	M14	130	8.62	34	22
B0007.140-140	M14	140	8.62	34	22
B0007.140-150	M14	150	8.62	34	22
B0007.140-160	M14	160	8.62	34	22

BRASS



Order No.	Thread d ₁	l ₁	h ₁	l ₂	A/F
B0007.140-170	M14	170	8.62	34	22
B0007.140-180	M14	180	8.62	34	22
B0007.140-190	M14	190	8.62	34	22
B0007.140-200	M14	200	8.62	34	22
B0007.140-210	M14	210	8.62	34	22
B0007.140-220	M14	220	8.62	34	22
B0007.140-230	M14	230	8.62	34	22
B0007.140-240	M14	240	8.62	34	22
B0007.140-250	M14	250	8.62	34	22
B0007.140-260	M14	260	8.62	34	22
B0007.140-270	M14	270	8.62	34	22
B0007.140-280	M14	280	8.62	34	22
B0007.160-050	M16	50	9.82	38	24
B0007.160-055	M16	55	9.82	38	24
B0007.160-060	M16	60	9.82	38	24
B0007.160-065	M16	65	9.82	38	24
B0007.160-070	M16	70	9.82	38	24
B0007.160-075	M16	75	9.82	38	24
B0007.160-080	M16	80	9.82	38	24
B0007.160-085	M16	85	9.82	38	24
B0007.160-090	M16	90	9.82	38	24
B0007.160-095	M16	95	9.82	38	24
B0007.160-100	M16	100	9.82	38	24
B0007.160-110	M16	110	9.82	38	24
B0007.160-120	M16	120	9.82	38	24
B0007.160-130	M16	130	9.82	38	24
B0007.160-140	M16	140	9.82	38	24
B0007.160-150	M16	150	9.82	38	24
B0007.160-160	M16	160	9.82	38	24
B0007.160-170	M16	170	9.82	38	24
B0007.160-180	M16	180	9.82	38	24
B0007.160-190	M16	190	9.82	38	24
B0007.160-200	M16	200	9.82	38	24
B0007.160-210	M16	210	9.82	38	24
B0007.160-220	M16	220	9.82	38	24
B0007.160-230	M16	230	9.82	38	24
B0007.160-240	M16	240	9.82	38	24
B0007.160-250	M16	250	9.82	38	24
B0007.160-260	M16	260	9.82	38	24
B0007.160-270	M16	270	9.82	38	24
B0007.160-280	M16	280	9.82	38	24
B0007.160-290	M16	290	9.82	38	24
B0007.160-300	M16	300	9.82	38	24
B0007.160-320	M16	320	9.82	38	24
B0007.160-340	M16	340	9.82	38	24
B0007.160-360	M16	360	9.82	38	24
B0007.160-380	M16	380	9.82	38	24
B0007.160-400	M16	400	9.82	38	24
B0007.160-420	M16	420	9.82	38	24
B0007.160-440	M16	440	9.82	38	24
B0007.160-460	M16	460	9.82	38	24
B0007.160-480	M16	480	9.82	38	24
B0007.160-500	M16	500	9.82	38	24
B0007.180-060	M18	60	11.28	42	27
B0007.180-065	M18	65	11.28	42	27
B0007.180-070	M18	70	11.28	42	27
B0007.180-075	M18	75	11.28	42	27
B0007.180-080	M18	80	11.28	42	27
B0007.180-085	M18	85	11.28	42	27
B0007.180-090	M18	90	11.28	42	27
B0007.180-095	M18	95	11.28	42	27
B0007.180-100	M18	100	11.28	42	27
B0007.180-110	M18	110	11.28	42	27
B0007.180-120	M18	120	11.28	42	27
B0007.180-130	M18	130	11.28	42	27
B0007.180-140	M18	140	11.28	42	27
B0007.180-150	M18	150	11.28	42	27
B0007.180-160	M18	160	11.28	42	27
B0007.180-170	M18	170	11.28	42	27



Hexagon Head Bolts

with shank, DIN 931

Brass

Order No.	Thread d ₁	l ₁	h ₁	l ₂	A/F
B0007.180-180	M18	180	11.28	42	27
B0007.180-190	M18	190	11.28	42	27
B0007.180-200	M18	200	11.28	42	27
B0007.180-210	M18	210	11.28	42	27
B0007.180-220	M18	220	11.28	42	27
B0007.180-230	M18	230	11.28	42	27
B0007.180-240	M18	240	11.28	42	27
B0007.180-250	M18	250	11.28	42	27
B0007.180-260	M18	260	11.28	42	27
B0007.180-270	M18	270	11.28	42	27
B0007.200-060	M20	60	12.28	46	30
B0007.200-065	M20	65	12.28	46	30
B0007.200-070	M20	70	12.28	46	30
B0007.200-075	M20	75	12.28	46	30
B0007.200-080	M20	80	12.28	46	30
B0007.200-085	M20	85	12.28	46	30
B0007.200-090	M20	90	12.28	46	30
B0007.200-095	M20	95	12.28	46	30
B0007.200-100	M20	100	12.28	46	30
B0007.200-110	M20	110	12.28	46	30
B0007.200-120	M20	120	12.28	46	30
B0007.200-130	M20	130	12.28	46	30
B0007.200-140	M20	140	12.28	46	30
B0007.200-150	M20	150	12.28	46	30
B0007.200-160	M20	160	12.28	46	30
B0007.200-170	M20	170	12.28	46	30
B0007.200-180	M20	180	12.28	46	30
B0007.200-190	M20	190	12.28	46	30
B0007.200-200	M20	200	12.28	46	30
B0007.200-210	M20	210	12.28	46	30
B0007.200-220	M20	220	12.28	46	30
B0007.200-230	M20	230	12.28	46	30
B0007.200-240	M20	240	12.28	46	30
B0007.200-250	M20	250	12.28	46	30
B0007.200-260	M20	260	12.28	46	30
B0007.200-270	M20	270	12.28	46	30
B0007.200-280	M20	280	12.28	46	30
B0007.200-290	M20	290	12.28	46	30
B0007.200-300	M20	300	12.28	46	30
B0007.200-320	M20	320	12.28	46	30
B0007.200-340	M20	340	12.28	46	30
B0007.200-360	M20	360	12.28	46	30
B0007.200-380	M20	380	12.28	46	30
B0007.200-400	M20	400	12.28	46	30
B0007.200-420	M20	420	12.28	46	30
B0007.200-440	M20	440	12.28	46	30
B0007.200-460	M20	460	12.28	46	30
B0007.200-480	M20	480	12.28	46	30
B0007.200-500	M20	500	12.28	46	30
B0007.220-070	M22	70	13.78	50	32
B0007.220-075	M22	75	13.78	50	32
B0007.220-080	M22	80	13.78	50	32
B0007.220-085	M22	85	13.78	50	32
B0007.220-090	M22	90	13.78	50	32
B0007.220-095	M22	95	13.78	50	32
B0007.220-100	M22	100	13.78	50	32
B0007.220-110	M22	110	13.78	50	32
B0007.220-120	M22	120	13.78	50	32
B0007.220-130	M22	130	13.78	50	32
B0007.220-140	M22	140	13.78	50	32
B0007.220-150	M22	150	13.78	50	32
B0007.220-160	M22	160	13.78	50	32
B0007.220-170	M22	170	13.78	50	32
B0007.220-180	M22	180	13.78	50	32
B0007.220-190	M22	190	13.78	50	32
B0007.220-200	M22	200	13.78	50	32
B0007.220-210	M22	210	13.78	50	32
B0007.220-220	M22	220	13.78	50	32
B0007.220-230	M22	230	13.78	50	32

BRASS



Order No.	Thread d ₁	l ₁	h ₁	l ₂	A/F
B0007.220-240	M22	240	13.78	50	32
B0007.220-250	M22	250	13.78	50	32
B0007.220-260	M22	260	13.78	50	32
B0007.220-270	M22	270	13.78	50	32
B0007.220-280	M22	280	13.78	50	32
B0007.240-070	M24	70	14.78	54	36
B0007.240-075	M24	75	14.78	54	36
B0007.240-080	M24	80	14.78	54	36
B0007.240-085	M24	85	14.78	54	36
B0007.240-090	M24	90	14.78	54	36
B0007.240-100	M24	100	14.78	54	36
B0007.240-110	M24	110	14.78	54	36
B0007.240-120	M24	120	14.78	54	36
B0007.240-130	M24	130	14.78	54	36
B0007.240-140	M24	140	14.78	54	36
B0007.240-150	M24	150	14.78	54	36
B0007.240-160	M24	160	14.78	54	36
B0007.240-170	M24	170	14.78	54	36
B0007.240-180	M24	180	14.78	54	36
B0007.240-190	M24	190	14.78	54	36
B0007.240-200	M24	200	14.78	54	36
B0007.240-210	M24	210	14.78	54	36
B0007.240-220	M24	220	14.78	54	36
B0007.240-230	M24	230	14.78	54	36
B0007.240-240	M24	240	14.78	54	36
B0007.240-250	M24	250	14.78	54	36
B0007.240-260	M24	260	14.78	54	36
B0007.240-270	M24	270	14.78	54	36
B0007.240-280	M24	280	14.78	54	36
B0007.240-290	M24	29	14.78	54	36
B0007.240-300	M24	300	14.78	54	36
B0007.240-320	M24	320	14.78	54	36
B0007.240-340	M24	340	14.78	54	36
B0007.240-360	M24	360	14.78	54	36
B0007.240-380	M24	380	14.78	54	36
B0007.240-400	M24	400	14.78	54	36
B0007.240-420	M24	420	14.78	54	36
B0007.240-440	M24	440	14.78	54	36
B0007.240-460	M24	460	14.78	54	36
B0007.240-480	M24	480	14.78	54	36
B0007.240-500	M24	500	14.78	54	36
B0007.270-080	M27	80	16.65	60	41
B0007.270-085	M27	85	16.65	60	41
B0007.270-090	M27	90	16.65	60	41
B0007.270-095	M27	95	16.65	60	41
B0007.270-100	M27	100	16.65	60	41
B0007.270-110	M27	110	16.65	60	41
B0007.270-120	M27	120	16.65	60	41
B0007.270-130	M27	130	16.65	60	41
B0007.270-140	M27	140	16.65	60	41
B0007.270-150	M27	150	16.65	60	41
B0007.270-160	M27	160	16.65	60	41
B0007.270-170	M27	170	16.65	60	41
B0007.270-180	M27	180	16.65	60	41
B0007.270-190	M27	190	16.65	60	41
B0007.270-200	M27	200	16.65	60	41
B0007.270-210	M27	210	16.65	60	41
B0007.270-220	M27	220	16.65	60	41
B0007.270-230	M27	230	16.65	60	41
B0007.270-240	M27	240	16.65	60	41
B0007.270-250	M27	250	16.65	60	41
B0007.270-260	M27	260	16.65	60	41
B0007.270-270	M27	270	16.65	60	41
B0007.270-280	M27	280	16.65	60	41
B0007.270-290	M27	290	16.65	60	41
B0007.270-300	M27	300	16.65	60	41
B0007.270-320	M27	320	16.65	60	41
B0007.270-340	M27	340	16.65	60	41
B0007.300-080	M30	80	18.28	66	46



Hexagon Head Bolts

with shank, DIN 931

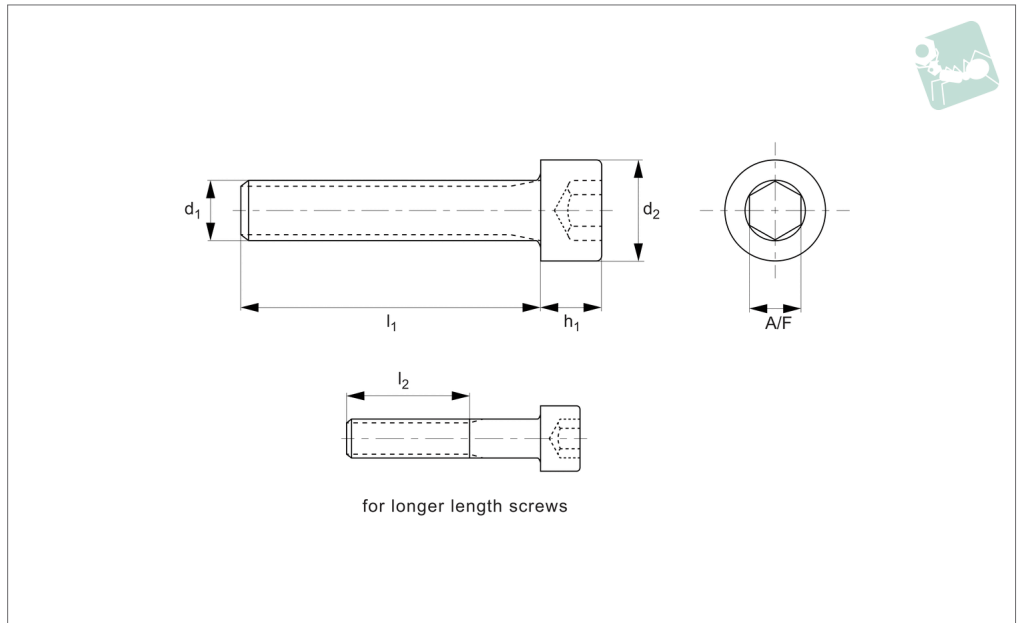
Brass

Order No.	Thread d ₁	l ₁	h ₁	l ₂	A/F
B0007.300-085	M30	85	18.28	66	46
B0007.300-090	M30	90	18.28	66	46
B0007.300-095	M30	95	18.28	66	46
B0007.300-100	M30	100	18.28	66	46
B0007.300-110	M30	110	18.28	66	46
B0007.300-120	M30	120	18.28	66	46
B0007.300-130	M30	130	18.28	66	46
B0007.300-140	M30	140	18.28	66	46
B0007.300-150	M30	150	18.28	66	46
B0007.300-160	M30	160	18.28	66	46
B0007.300-170	M30	170	18.28	66	46
B0007.300-180	M30	180	18.28	66	46
B0007.300-190	M30	190	18.28	66	46
B0007.300-200	M30	200	18.28	66	46
B0007.300-210	M30	210	18.28	66	46
B0007.300-220	M30	220	18.28	66	46
B0007.300-230	M30	230	18.28	66	46
B0007.300-240	M30	240	18.28	66	46
B0007.300-250	M30	250	18.28	66	46
B0007.300-260	M30	260	18.28	66	46
B0007.300-270	M30	270	18.28	66	46
B0007.300-280	M30	280	18.28	66	46
B0007.300-290	M30	290	18.28	66	46
B0007.300-300	M30	300	18.28	66	46
B0007.330-090	M33	90	20.58	72	50
B0007.330-095	M33	95	20.58	72	50
B0007.330-100	M33	100	20.58	72	50
B0007.330-110	M33	110	20.58	72	50
B0007.330-120	M33	120	20.58	72	50
B0007.330-130	M33	130	20.58	72	50
B0007.330-140	M33	140	20.58	72	50
B0007.330-150	M33	150	20.58	72	50
B0007.330-160	M33	160	20.58	72	50
B0007.330-170	M33	170	20.58	72	50
B0007.330-180	M33	180	20.58	72	50
B0007.330-190	M33	190	20.58	72	50
B0007.330-200	M33	200	20.58	72	50
B0007.330-210	M33	210	20.58	72	50
B0007.330-220	M33	220	20.58	72	50
B0007.330-230	M33	230	20.58	72	50
B0007.330-240	M33	240	20.58	72	50
B0007.330-250	M33	250	20.58	72	50
B0007.330-260	M33	260	20.58	72	50
B0007.330-270	M33	270	20.58	72	50
B0007.330-280	M33	280	20.58	72	50
B0007.360-100	M36	100	22.08	78	55
B0007.360-110	M36	110	22.08	78	55
B0007.360-120	M36	120	22.08	78	55
B0007.360-130	M36	130	22.08	78	55
B0007.360-140	M36	140	22.08	78	55
B0007.360-150	M36	150	22.08	78	55
B0007.360-160	M36	160	22.08	78	55
B0007.360-170	M36	170	22.08	78	55
B0007.360-180	M36	180	22.08	78	55
B0007.360-190	M36	190	22.08	78	55
B0007.360-200	M36	200	22.08	78	55
B0007.360-210	M36	210	22.08	78	55
B0007.360-220	M36	220	22.08	78	55
B0007.360-230	M36	230	22.08	78	55
B0007.360-240	M36	240	22.08	78	55
B0007.360-250	M36	250	22.08	78	55
B0007.360-260	M36	260	22.08	78	55
B0007.360-270	M36	270	22.08	78	55
B0007.360-280	M36	280	22.08	78	55

BRASS



B0020.B0



Material

Brass, Cu3 (Cuzn39pb3).

Technical Notes

To DIN 912. For the majority of screw

lengths the threads goes all the way to the head of the screw (i.e. $l_1 = l_2$) less 2.5 thread pitches.

For longer length screws the threaded

portion $l_2 < l_1$.

Order No.	d_1	l_1	d_2	h_1	l_2	A/F
B0020.030-005	M 3	5	5.5	3	-	2.5
B0020.030-006	M 3	6	5.5	3	-	2.5
B0020.030-008	M 3	8	5.5	3	-	2.5
B0020.030-010	M 3	10	5.5	3	-	2.5
B0020.030-012	M 3	12	5.5	3	-	2.5
B0020.030-020	M 3	20	5.5	3	18	2.5
B0020.030-025	M 3	25	5.5	3	18	2.5
B0020.040-006	M 4	6	7	4	-	3
B0020.040-008	M 4	8	7	4	-	3
B0020.040-010	M 4	10	7	4	-	3
B0020.040-012	M 4	12	7	4	-	3
B0020.040-016	M 4	16	7	4	-	3
B0020.040-020	M 4	20	7	4	20	3
B0020.040-025	M 4	25	7	4	20	3
B0020.040-035	M 4	35	7	4	20	3
B0020.050-008	M 5	8	8.5	5	-	4
B0020.050-010	M 5	10	8.5	5	-	4
B0020.050-012	M 5	12	8.5	5	-	4
B0020.050-016	M 5	16	8.5	5	-	4
B0020.050-020	M 5	20	8.5	5	-	4
B0020.050-025	M 5	25	8.5	5	22	4
B0020.050-035	M 5	35	8.5	5	22	4
B0020.060-008	M 6	8	10	6	-	5
B0020.060-012	M 6	12	10	6	-	5
B0020.060-016	M 6	16	10	6	-	5
B0020.060-020	M 6	20	10	6	-	5
B0020.060-025	M 6	25	10	6	24	5
B0020.060-035	M 6	35	10	6	24	5
B0020.060-040	M 6	40	10	6	24	5
B0020.080-012	M 8	12	13	8	-	6
B0020.080-016	M 8	16	13	8	-	6
B0020.080-020	M 8	20	13	8	-	6
B0020.080-025	M 8	25	13	8	-	6
B0020.080-035	M 8	35	13	8	28	6



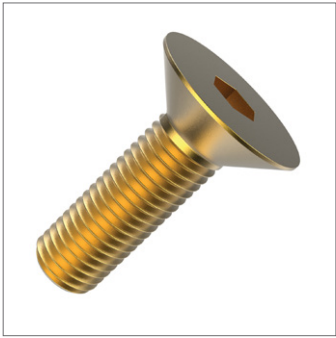
Hexagon Socket Head Cap Screws

Hexagon socket head cap screw, DIN 912

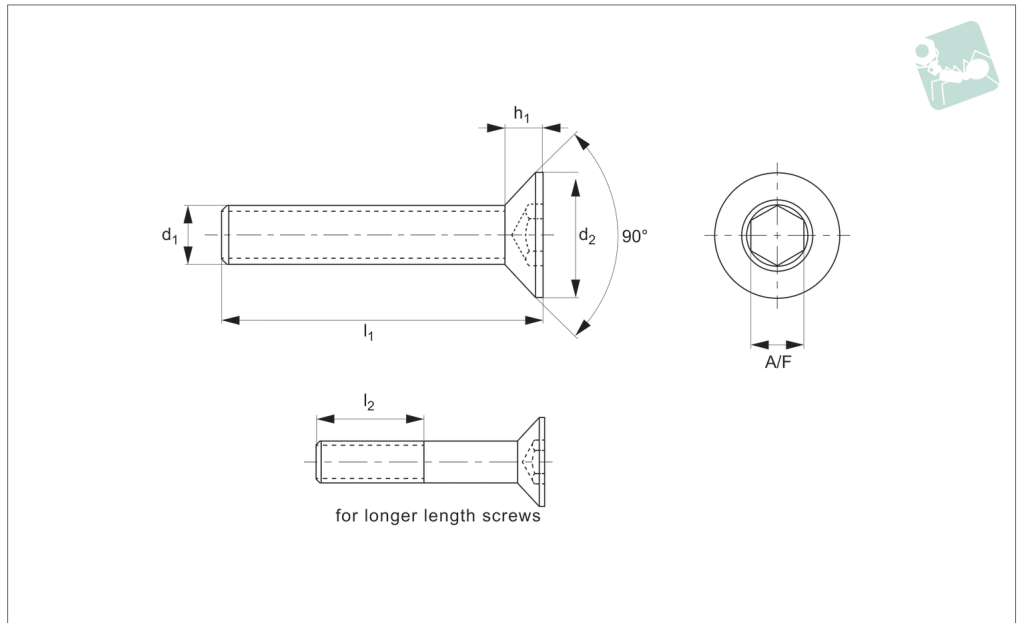
Brass

Order No.	d ₁	l ₁	d ₂	h ₁	l ₂	A/F
B0020.080-040	M 8	40	13	8	28	6
B0020.080-050	M 8	50	13	8	28	6
B0020.100-016	M10	16	16	10	-	8
B0020.100-020	M10	20	16	10	-	8
B0020.100-025	M10	25	16	10	-	8
B0020.100-035	M10	35	16	10	32	8
B0020.100-040	M10	40	16	10	32	8
B0020.100-050	M10	50	16	10	32	8
B0020.120-030	M12	30	18	12	-	10
B0020.120-040	M12	40	18	12	36	10
B0020.120-050	M12	50	18	12	36	10
B0020.120-060	M12	60	18	12	36	10
B0020.120-080	M12	80	18	12	36	10

BRASS



B0021.B0



Material

Brass, Cu3 (Cuzn39Pb3).

Technical Notes

To DIN 7991. ISO 2009. For the majority of

screw lengths the threads goes all the way to the head of the screw (i.e. $l_1 = l_2$) less 2.5 thread pitches.

For longer length screws the threaded

portion $l_2 < l_1$.

Order No.	d ₁	l ₁	d ₂	h ₁	l ₂	A/F
B0021.040-010	M 4	10	8	2.3	-	2.5
B0021.040-012	M 4	12	8	2.3	-	2.5
B0021.040-020	M 4	20	8	2.3	14	2.5
B0021.040-025	M 4	25	8	2.3	14	2.5
B0021.050-010	M 5	10	10	2.8	-	3.0
B0021.050-012	M 5	12	10	2.8	-	3.0
B0021.050-016	M 5	16	10	2.8	-	3.0
B0021.050-020	M 5	20	10	2.8	16	3.0
B0021.050-025	M 5	25	10	2.8	16	3.0
B0021.050-030	M 5	30	10	2.8	16	3.0
B0021.060-010	M 6	10	12.0	3.30	-	4.0
B0021.060-012	M 6	12	12.0	3.30	-	4.0
B0021.060-016	M 6	16	12.0	3.30	-	4.0
B0021.060-020	M 6	20	12.0	3.30	18	4.0
B0021.060-025	M 6	25	12.0	3.30	18	4.0
B0021.060-030	M 6	30	12.0	3.30	18	4.0
B0021.060-035	M 6	35	12.0	3.30	18	4.0
B0021.060-040	M 6	40	12.0	3.30	18	4.0
B0021.060-050	M 6	50	12.0	3.30	18	4.0
B0021.060-060	M 6	60	12.0	3.30	18	4.0
B0021.060-070	M 6	70	12.0	3.30	18	4.0
B0021.060-080	M 6	80	12.0	3.30	18	4.0
B0021.060-090	M 6	90	12.0	3.30	18	4.0
B0021.080-012	M 8	12	16.0	4.40	-	5.0
B0021.080-016	M 8	16	16.0	4.40	-	5.0
B0021.080-020	M 8	20	16.0	4.40	-	5.0
B0021.080-025	M 8	25	16.0	4.40	22	5.0
B0021.080-030	M 8	30	16.0	4.40	22	5.0
B0021.080-035	M 8	35	16.0	4.40	22	5.0
B0021.080-040	M 8	40	16.0	4.40	22	5.0
B0021.100-016	M10	16	20.0	5.50	-	6.0
B0021.100-020	M10	20	20.0	5.50	-	6.0
B0021.100-025	M10	25	20.0	5.50	-	6.0
B0021.100-030	M10	30	20.0	5.50	26	6.0



Socket Csk Head Screws

Csk, DIN 7991

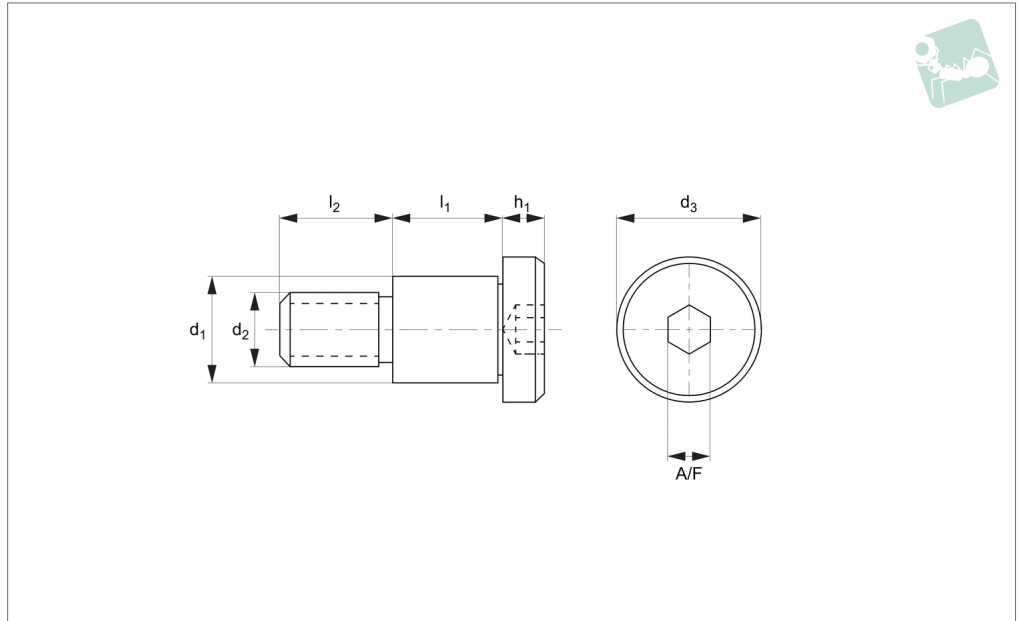
Brass

Order No.	d ₁	l ₁	d ₂	h ₁	l ₂	A/F
B0021.100-035	M10	35	20.0	5.50	26	6.0
B0021.100-040	M10	40	20.0	5.50	26	6.0
B0021.100-050	M10	50	20.0	5.50	26	6.0
B0021.120-020	M12	20	24.0	6.50	-	8.0
B0021.120-025	M12	25	24.0	6.50	-	8.0
B0021.120-030	M12	30	24.0	6.50	-	8.0
B0021.120-040	M12	40	24.0	6.50	30	8.0
B0021.120-050	M12	50	24.0	6.50	30	8.0
B0021.120-060	M12	60	24.0	6.50	30	8.0
B0021.120-070	M12	70	24.0	6.50	30	8.0
B0021.120-080	M12	80	24.0	6.50	30	8.0
B0021.120-090	M12	90	24.0	6.50	30	8.0
B0021.160-080	M16	80	30.0	7.50	38	10.0
B0021.160-090	M16	90	30.0	7.50	38	10.0

BRASS



B0270.B0



Material

Brass, CU3 (Cuzn39pb3).

Technical Notes

These are machined parts

Order No.	d ₁ +0.0 -0.025	l ₁ +0.05 -0.0	d ₂	d ₃	h ₁	l ₂	A/F
B0270.040-004	4	4	M3	6	3	4	2
B0270.040-005	4	5	M3	6	3	4	2
B0270.040-006	4	6	M3	6	3	4	2
B0270.040-008	4	8	M3	6	3	4	2
B0270.040-010	4	10	M3	6	3	4	2
B0270.040-012	4	12	M3	6	3	4	2
B0270.050-004	5	4	M4	8	4	5	2.5
B0270.050-005	5	5	M4	8	4	5	2.5
B0270.050-006	5	6	M4	8	4	5	2.5
B0270.050-008	5	8	M4	8	4	5	2.5
B0270.050-010	5	10	M4	8	4	5	2.5
B0270.050-012	5	12	M4	8	4	5	2.5
B0270.050-014	5	14	M4	8	4	5	2.5
B0270.050-016	5	16	M4	8	4	5	2.5
B0270.050-020	5	20	M4	8	4	5	2.5
B0270.050-025	5	25	M4	8	4	5	2.5
B0270.050-030	5	30	M4	8	4	5	2.5
B0270.060-004	6	4	M5	10	5	6	3
B0270.060-005	6	5	M5	10	5	6	3
B0270.060-006	6	6	M5	10	5	6	3
B0270.060-008	6	8	M5	10	5	6	3
B0270.060-010	6	10	M5	10	5	6	3
B0270.060-012	6	12	M5	10	5	6	3
B0270.060-014	6	14	M5	10	5	6	3
B0270.060-016	6	16	M5	10	5	6	3
B0270.060-020	6	20	M5	10	5	6	3
B0270.060-025	6	25	M5	10	5	6	3
B0270.060-030	6	30	M5	10	5	6	3
B0270.080-006	8	6	M6	12	6	11	4
B0270.080-008	8	8	M6	12	6	11	4
B0270.080-010	8	10	M6	12	6	11	4
B0270.080-012	8	12	M6	12	6	11	4
B0270.080-014	8	14	M6	12	6	11	4
B0270.080-016	8	16	M6	12	6	11	4

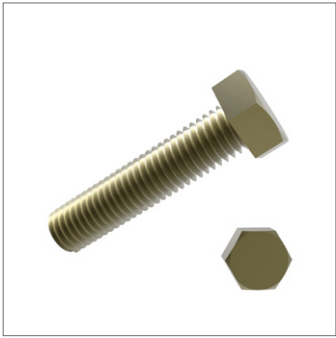


Shoulder Screws - Hex. Socket Head

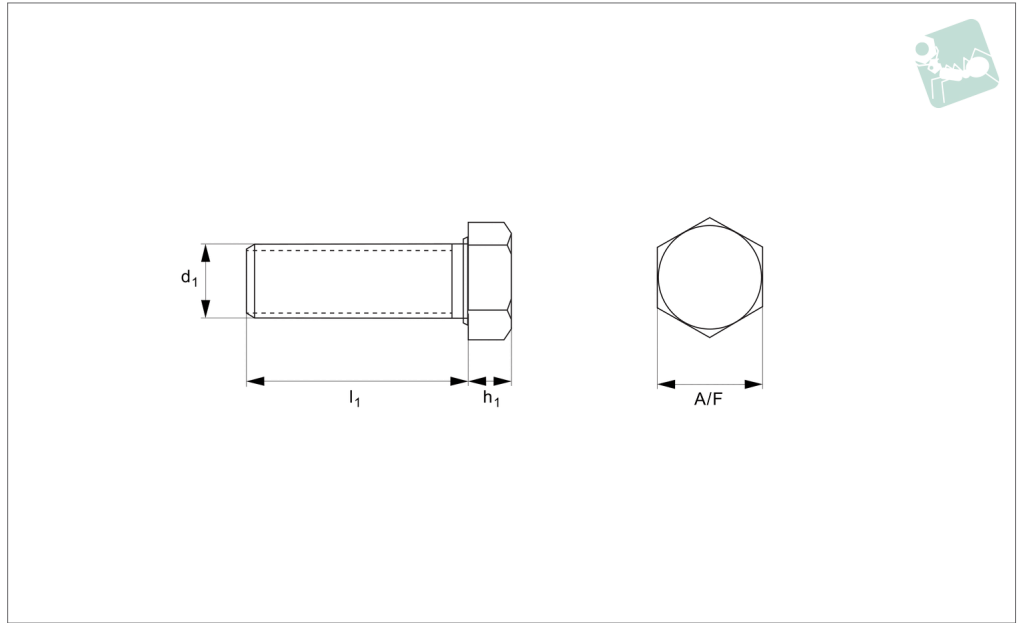
Brass

Order No.	d_1 +0.0 -0.025	l_1 +0.05 -0.0	d_2	d_3	h_1	l_2	A/F
B0270.080-020	8	20	M6	12	6	11	4
B0270.080-025	8	25	M6	12	6	11	4
B0270.080-030	8	30	M6	12	6	11	4
B0270.100-008	10	8	M6	12	6	11	4
B0270.100-010	10	10	M6	12	6	11	4
B0270.100-012	10	12	M6	12	6	11	4
B0270.100-016	10	16	M6	12	6	11	4
B0270.101-008	10	8	M8	14	7	12	5
B0270.101-010	10	10	M8	14	7	12	5
B0270.101-012	10	12	M8	14	7	12	5
B0270.101-016	10	16	M8	14	7	12	5
B0270.101-020	10	20	M8	14	7	12	5
B0270.101-025	10	25	M8	14	7	12	5
B0270.101-030	10	30	M8	14	7	12	5
B0270.120-012	12	12	M10	20	8	16	6
B0270.120-016	12	16	M10	20	8	16	6
B0270.120-020	12	20	M10	20	8	16	6
B0270.120-025	12	25	M10	20	8	16	6
B0270.120-030	12	30	M10	20	8	16	6

BRASS



B0004.B0



Material

Brass.

Technical Notes

To DIN 933, ISO 4017.

Order No.	d_1	l_1	h_1	A/F	Material
B0004.040030B000	M 4	30	2.8	7	Brass
B0004.060-016	M 6	16	4.0	10	Brass
B0004.060020B000	M 6	20	4.0	10	Brass
B0004.060-030	M 6	30	4.0	10	Brass
B0004.060035B000	M 6	35	4.0	10	Brass
B0004.060-040	M 6	40	4.0	10	Brass
B0004.060050B000	M 6	50	4.0	10	Brass
B0004.080-012	M 8	12	5.3	13	Brass
B0004.080016B000	M 8	16	5.3	13	Brass
B0004.080030B000	M 8	30	5.3	13	Brass
B0004.100025B000	M10	25	6.4	17	Brass
B0004.100040B000	M10	40	6.4	17	Brass
B0004.100050B000	M10	50	6.4	17	Brass
B0004.120025B000	M12	25	7.5	19	Brass
B0004.120050B000	M12	50	7.5	19	Brass
B0004.120100B000	M12	100	7.5	19	Brass
B0004.140100B000	M14	100	8.8	22	Brass
B0004.160040B000	M16	40	10	24	Brass
B0004.200050B000	M20	50	12.5	30	Brass