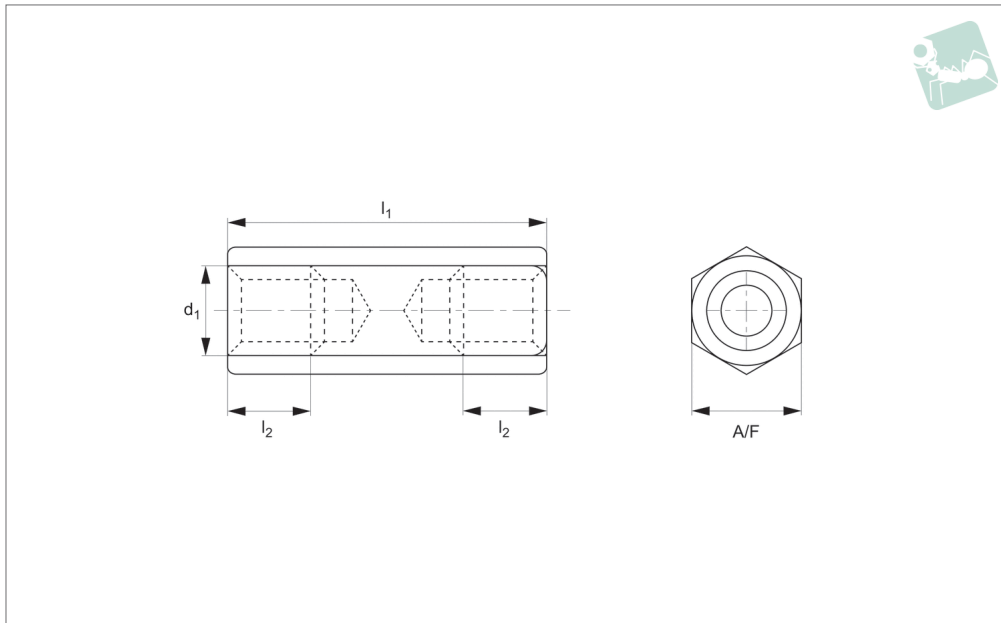




Brass Hexagonal Spacers

Brass

Brass



B6000.B0

BRASS

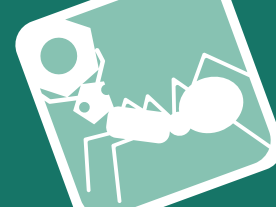
Material

Brass (2.0402), bright nickel-plated.

Technical Notes

$l_3 = (l_2 + >1\text{mm})$.

Order No.	d ₁	l ₁ tol. js13	l ₂	A/F
B6000.020005B004	M2	5	5	4
B6000.020048B004	M2	8	8	4
B6000.020010B004	M2	10	10	4
B6000.020012B004	M2	12	6	4
B6000.020015B004	M2	15	6	4
B6000.020018B004	M2	18	5	4
B6000.020020B004	M2	20	6	4
B6000.020025B004	M2	25	6	4
B6000.020030B004	M2	30	6	4
B6000.020035B004	M2	35	10	4
B6000.020040B004	M2	40	10	4
B6000.020045B004	M2	45	10	4
B6000.025005B004	M2,5	5	5	5
B6000.025008B004	M2,5	8	4	5
B6000.025010B004	M2,5	10	5	5
B6000.025012B004	M2,5	12	6	5
B6000.025015B004	M2,5	15	6	5
B6000.025018B004	M2,5	18	6	5
B6000.025020B004	M2,5	20	6	5
B6000.025025B004	M2,5	25	6	5
B6000.025030B004	M2,5	30	6	5
B6000.025035B004	M2,5	35	6	5
B6000.025040B004	M2,5	40	6	5
B6000.025045B004	M2,5	45	10	5
B6000.030005B004	M3	5	5	5
B6000.030048B004	M3	8	8	5
B6000.030010B004	M3	10	10	5
B6000.030012B004	M3	12	6	5
B6000.030015B004	M3	15	7	5
B6000.030018B004	M3	18	7	5
B6000.030020B004	M3	20	7	5
B6000.030025B004	M3	25	7	5
B6000.030030B004	M3	30	7	5
B6000.030035B004	M3	35	7	5



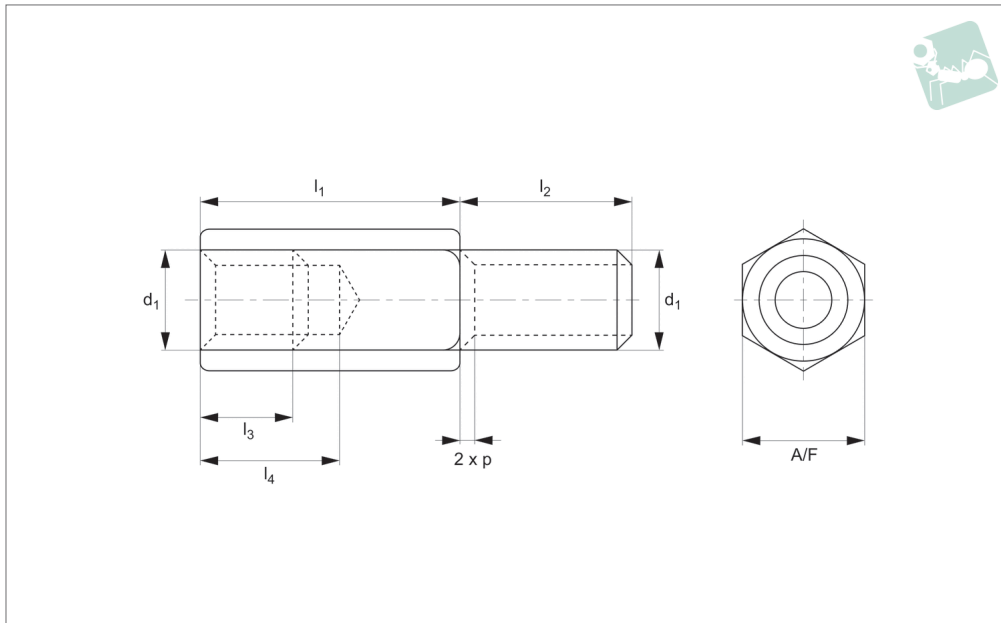
Order No.	d ₁	l ₁ tol. js13	l ₂	A/F
B6000.030040B004	M3	40	7	5
B6000.030045B004	M3	45	10	5
B6000.030050B004	M3	50	10	5
B6000.040005B004	M4	5	5	7
B6000.040048B004	M4	8	8	7
B6000.040010B004	M4	10	10	7
B6000.040012B004	M4	12	12	7
B6000.040015B004	M4	15	7	7
B6000.040018B004	M4	18	9	7
B6000.040020B004	M4	20	9	7
B6000.040025B004	M4	25	9	7
B6000.040030B004	M4	30	9	7
B6000.040035B004	M4	35	9	7
B6000.040040B004	M4	40	9	7
B6000.040045B004	M4	45	9	7
B6000.040050B004	M4	50	9	7
B6000.040055B004	M4	55	9	7
B6000.040060B004	M4	60	9	7
B6000.050010B004	M5	10	10	8
B6000.050012B004	M5	12	12	8
B6000.050020B004	M5	20	10	8
B6000.050025B004	M5	25	10	8
B6000.050030B004	M5	30	10	8
B6000.050035B004	M5	35	10	8
B6000.050040B004	M5	40	10	8
B6000.050045B004	M5	45	10	8
B6000.050050B004	M5	50	11	8
B6000.050055B004	M5	55	11	8
B6000.050060B004	M5	60	11	8
B6000.050070B004	M5	70	11	8
B6000.050080B004	M5	80	11	8
B6000.060015B004	M6	15	15	10
B6000.060025B004	M6	25	10	10
B6000.060030B004	M6	30	10	10
B6000.060035B004	M6	35	12	10
B6000.060040B004	M6	40	12	10
B6000.060045B004	M6	45	12	10
B6000.060050B004	M6	50	12	10



Brass Hexagonal Pillars

Brass

Brass



B6003.B0

BRASS

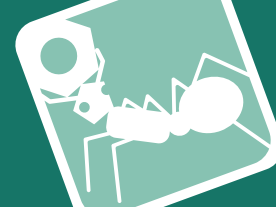
Material

Brass (CZ 121), bright nickel-plated.

Technical Notes

$l_4 = (l_3 + >1\text{mm})$.

Order No.	d ₁	l ₁ tol. js13	l ₂	l ₃	A/F
B6003.020045B004	M 2	5	6	2.8	4
B6003.020048B004	M 2	8	6	6	4
B6003.020010B004	M 2	10	6	7	4
B6003.020012B004	M 2	12	6	7	4
B6003.020015B004	M 2	15	6	7	4
B6003.020020B004	M 2	20	5	7	4
B6003.020025B004	M 2	25	6	7	4
B6003.020030B004	M 2	30	6	7	4
B6003.025005B004	M2,5	5	6	2.5	4
B6003.025008B004	M2,5	8	6	5.5	4
B6003.025010B004	M2,5	10	6	7	4
B6003.025012B004	M2,5	12	6	7	4
B6003.025015B004	M2,5	15	6	7	4
B6003.025018B004	M2,5	18	6	7	4
B6003.025020B004	M2,5	20	6	7	4
B6003.025025B004	M2,5	25	6	7	4
B6003.025030B004	M2,5	30	6	7	4
B6003.025040B004	M2,5	40	6	7	4
B6003.025050B004	M2,5	50	6	7	4
B6003.030005B004	M 3	5	8	2.5	5.5
B6003.030048B004	M 3	8	8	5	5.5
B6003.030010B004	M 3	10	8	6.5	5.5
B6003.030012B004	M 3	12	8	7	5.5
B6003.030015B004	M 3	15	8	8	5.5
B6003.030018B004	M 3	18	8	7	5.5
B6003.030020B004	M 3	20	8	7	5.5
B6003.030025B004	M 3	25	8	7	5.5
B6003.030030B004	M 3	30	8	7	5.5
B6003.030035B004	M 3	35	8	7	5.5
B6003.030040B004	M 3	40	8	7	5.5
B6003.030045B004	M 3	45	8	7	5.5
B6003.030050B004	M 3	50	8	7	5.5
B6003.030055B004	M 3	55	8	7	5.5
B6003.030060B004	M 3	60	8	7	5.5



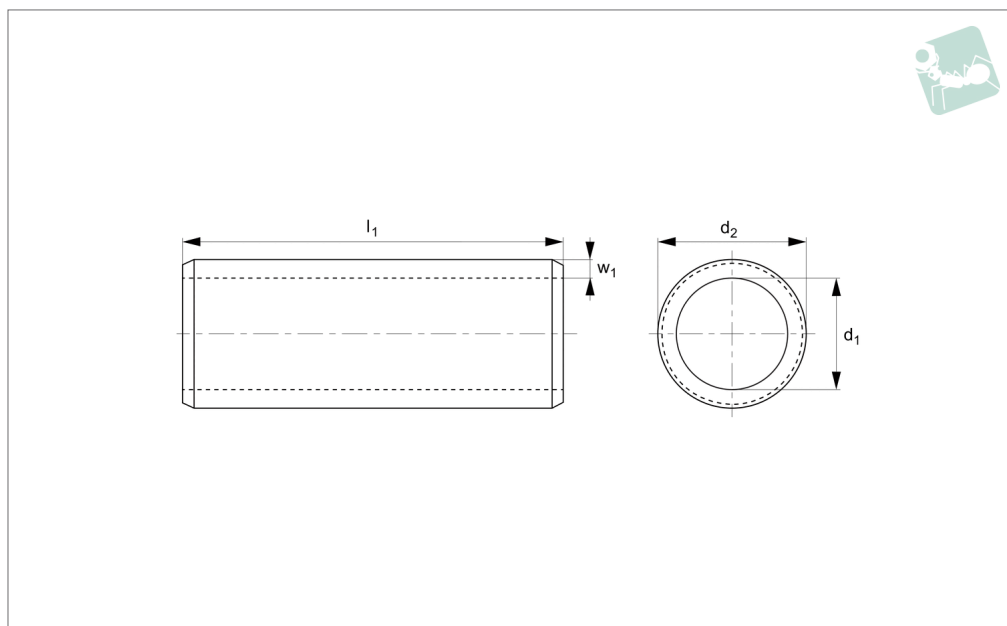
Order No.	d ₁	l ₁ tol. js13	l ₂	l ₃	A/F
B6003.040005B004	M 4	5	8	2.3	7
B6003.040048B004	M 4	8	8	4.5	7
B6003.040010B004	M 4	10	8	6	7
B6003.040012B004	M 4	12	8	6	7
B6003.040015B004	M 4	15	8	9	7
B6003.040018B004	M 4	18	8	9	7
B6003.040020B004	M 4	20	8	9	7
B6003.040025B004	M 4	25	8	9	7
B6003.040030B004	M 4	30	8	9	7
B6003.040035B004	M 4	35	10	9	7
B6003.040040B004	M 4	40	8	9	7
B6003.040045B004	M 4	45	8	9	7
B6003.040050B004	M 4	50	8	9	7
B6003.040055B004	M 4	55	8	9	7
B6003.040060B004	M 4	60	8	9	7
B6003.040065B004	M 4	65	8	9	7
B6003.040070B004	M 4	70	10	9	7
B6003.040080B004	M 4	80	8	9	7
B6003.050010B004	M 5	10	10	5.5	8
B6003.050012B004	M 5	12	10	8	8
B6003.050015B004	M 5	15	10	9	8
B6003.050018B004	M 5	18	10	10	8
B6003.050020B004	M 5	20	10	10	8
B6003.050025B004	M 5	25	10	10	8
B6003.050030B004	M 5	30	10	10	8
B6003.050035B004	M 5	35	10	10	8
B6003.050040B004	M 5	40	10	10	8
B6003.050045B004	M 5	45	10	10	8
B6003.050050B004	M 5	50	10	10	8
B6003.050060B004	M 5	60	10	10	8
B6003.060015B004	M 6	15	12	11	10
B6003.060020B004	M 6	20	12	12	10
B6003.060025B004	M 6	25	12	12	10
B6003.060030B004	M 6	30	12	12	10
B6003.060045B004	M 6	45	12	12	10



Brass Clearance Spacers

Brass

Brass



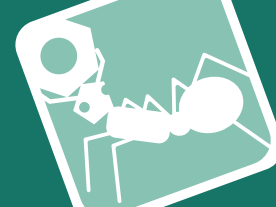
B6006.B0

BRASS

Material

Brass, nickel plated.

Order No.	For thread	l_1	d_1	d_2	w_1
B6006.020001B000	M2	1	2.2	4.0	0.8
B6006.020002B000	M2	2	2.2	4.0	0.8
B6006.020003B000	M2	3	2.2	4.0	0.8
B6006.020004B000	M2	4	2.2	4.0	0.8
B6006.020005B000	M2	5	2.2	4.0	0.8
B6006.020006B000	M2	6	2.2	4.0	0.8
B6006.020008B000	M2	8	2.2	4.0	0.8
B6006.020010B000	M2	10	2.2	4.0	0.8
B6006.020012B000	M2	12	2.2	4.0	0.8
B6006.020015B000	M2	15	2.2	4.0	0.8
B6006.020018B000	M2	18	2.2	4.0	0.8
B6006.020020B000	M2	20	2.2	4.0	0.8
B6006.025001B000	M2,5	1	2.6	4.5	0.9
B6006.025002B000	M2,5	2	2.6	4.5	0.9
B6006.025003B000	M2,5	3	2.6	4.5	0.9
B6006.025004B000	M2,5	4	2.6	4.5	0.9
B6006.025005B000	M2,5	5	2.6	4.5	0.9
B6006.025006B000	M2,5	6	2.6	4.5	0.9
B6006.025008B000	M2,5	8	2.6	4.5	0.9
B6006.025010B000	M2,5	10	2.6	4.5	0.9
B6006.025015B000	M2,5	15	2.6	4.5	0.9
B6006.025020B000	M2,5	20	2.6	4.5	0.9
B6006.030001B000	M3	1	3.2	6.0	0.8
B6006.030002B000	M3	2	3.2	6.0	0.8
B6006.030003B000	M3	3	3.2	6.0	0.8
B6006.030004B000	M3	4	3.2	6.0	0.8
B6006.030005B000	M3	5	3.2	6.0	0.8
B6006.030006B000	M3	6	3.2	6.0	0.8
B6006.030008B000	M3	8	3.2	6.0	0.8
B6006.030010B000	M3	10	3.2	6.0	0.8
B6006.030015B000	M3	15	3.2	6.0	0.8
B6006.030020B000	M3	20	3.2	6.0	0.8
B6006.030025B000	M3	25	3.2	6.0	0.8
B6006.030030B000	M3	30	3.2	6.0	0.8
B6006.030035B000	M3	35	3.2	6.0	0.8



Order No.	For thread	l_1	d_1	d_2	w_1
B6006.040001B000	M4	1	4.3	8.0	0.75
B6006.040003B000	M4	3	4.3	8.0	0.75
B6006.040004B000	M4	4	4.3	8.0	0.75
B6006.040005B000	M4	5	4.3	8.0	0.75
B6006.040006B000	M4	6	4.3	8.0	0.75
B6006.040008B000	M4	8	4.3	8.0	0.75
B6006.040010B000	M4	10	4.3	8.0	0.75
B6006.040015B000	M4	15	4.3	8.0	0.75
B6006.040020B000	M4	20	4.3	8.0	0.75
B6006.040025B000	M4	25	4.3	8.0	0.75
B6006.040030B000	M4	30	4.3	8.0	0.75
B6006.040035B000	M4	35	4.3	8.0	0.75
B6006.040040B000	M4	40	4.3	8.0	0.75
B6006.040050B000	M4	50	4.3	8.0	0.75
B6006.050001B000	M5	1	5.4	10.0	1.2
B6006.050002B000	M5	2	5.4	10.0	1.2
B6006.050003B000	M5	3	5.4	10.0	1.2
B6006.050005B000	M5	5	5.4	10.0	1.2
B6006.050006B000	M5	6	5.4	10.0	1.2
B6006.050008B000	M5	8	5.4	10.0	1.2
B6006.050010B000	M5	10	5.4	10.0	1.2
B6006.050015B000	M5	15	5.4	10.0	1.2
B6006.050020B000	M5	20	5.4	10.0	1.2
B6006.050025B000	M5	25	5.4	10.0	1.2
B6006.050030B000	M5	30	5.4	10.0	1.2
B6006.050035B000	M5	35	5.4	10.0	1.2
B6006.050040B000	M5	40	5.4	10.0	1.2
B6006.050050B000	M5	50	5.4	10.0	1.2
B6006.060003B000	M6	3	6.4	11.0	1.8
B6006.060005B000	M6	5	6.4	11.0	1.8
B6006.060008B000	M6	8	6.4	11.0	1.8
B6006.060010B000	M6	10	6.4	11.0	1.8
B6006.060015B000	M6	15	6.4	11.0	1.8
B6006.060020B000	M6	20	6.4	11.0	1.8
B6006.060025B000	M6	25	6.4	11.0	1.8
B6006.060030B000	M6	30	6.4	11.0	1.8
B6006.060035B000	M6	35	6.4	11.0	1.8
B6006.060040B000	M6	40	6.4	11.0	1.8
B6006.060050B000	M6	50	6.4	11.0	1.8