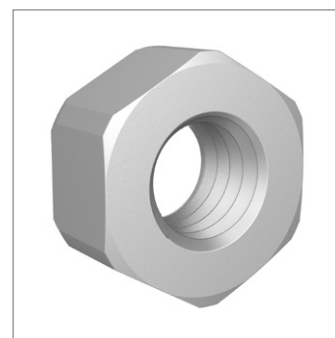
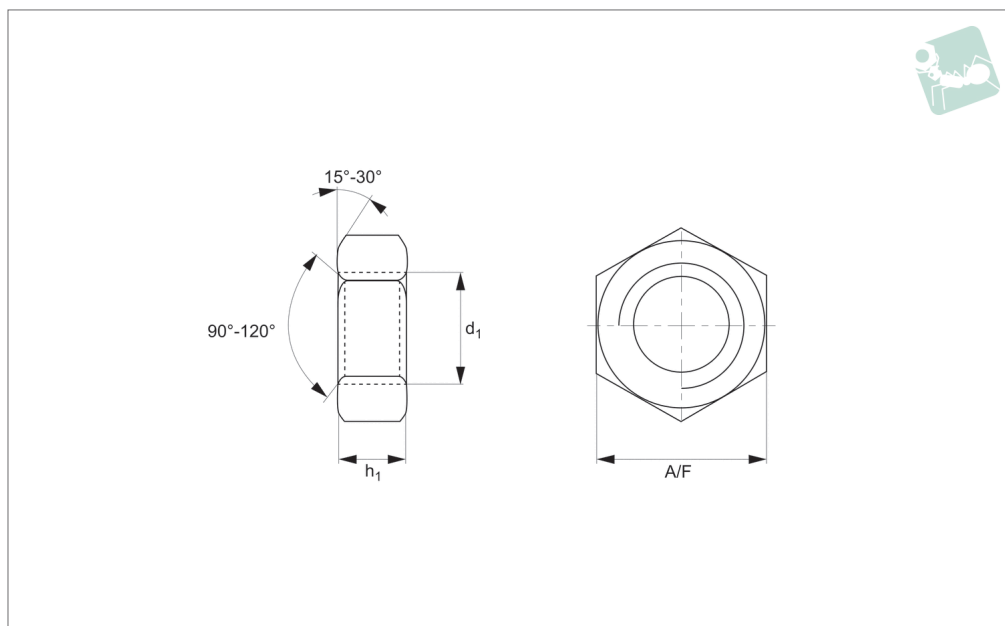




Aluminium Hex Nuts

DIN 934, standard and high tensile grades

Aluminium



A0501

ALUMINIUM

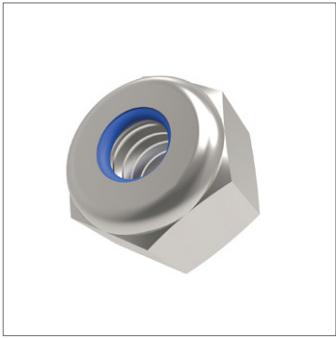
Material

Aluminium 6061 (standard grade), 7075 (high tensile grade).

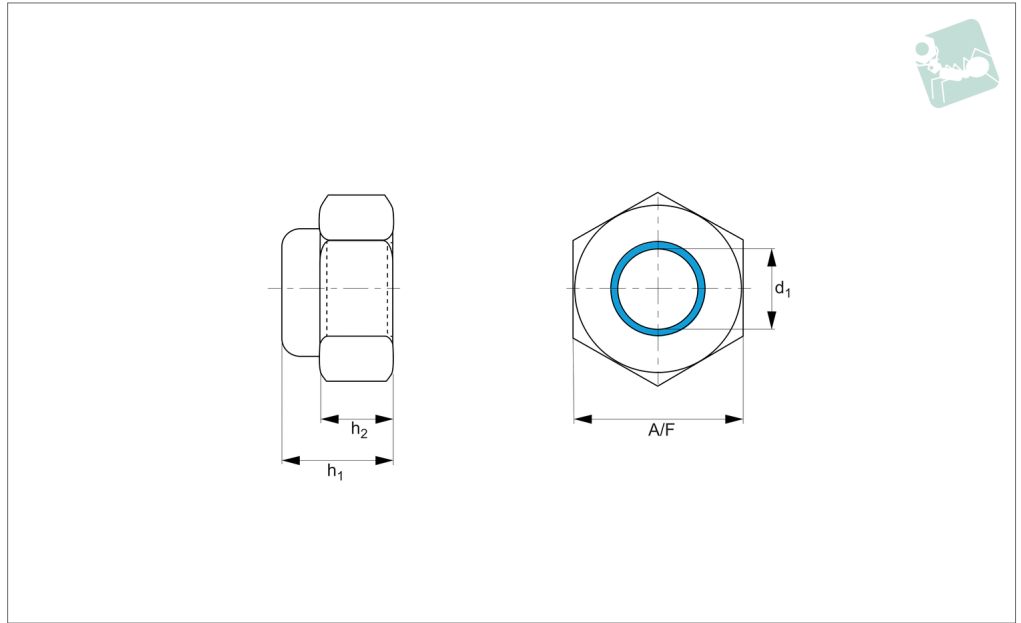
Technical Notes

DIN 934

Order No.	h_1	A/F	Grade	d_1	Finish
A0501.030-A6	2.4	5.5	Standard	M 3	unfinished
A0501.040-A6	3.2	7.0	Standard	M 4	unfinished
A0501.050-A6	4.0	8.0	Standard	M 5	unfinished
A0501.060-A6	5.0	10	Standard	M 6	unfinished
A0501.080-A6	6.5	13	Standard	M 8	unfinished
A0501.100-A6	8.0	17	Standard	M10	unfinished
A0501.120-A6	10	19	Standard	M12	unfinished
A0501.060-A7	5.0	10	High Tensile	M 6	anodised
A0501.080-A7	6.5	13	High Tensile	M 8	anodised
A0501.100-A7	8.0	17	High Tensile	M10	anodised
A0501.120-A7	10	19	High Tensile	M12	anodised
A0501.160-A7	13	24	High Tensile	M16	anodised



A0504.A7



Material

Aluminium, high tensile.

Technical Notes

Prevailing torque

Order No.	h_1	h_2	A/F	Thread d_1
A0504.050	5.0	3.2	8.0	M 5
A0504.030	4.0	2.4	5.5	M 3
A0504.040	5.0	2.9	7.0	M 4
A0504.060	6.0	4.0	10	M 6
A0504.080	8.0	5.5	13	M 8
A0504.100	10	6.5	17	M10
A0504.120	12	8.0	19	M12
A0504.160	16	10.5	24	M16