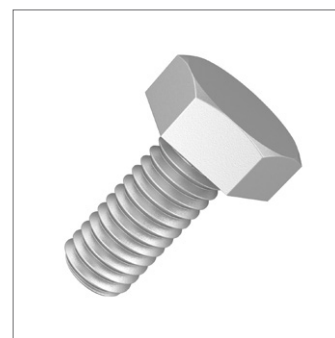
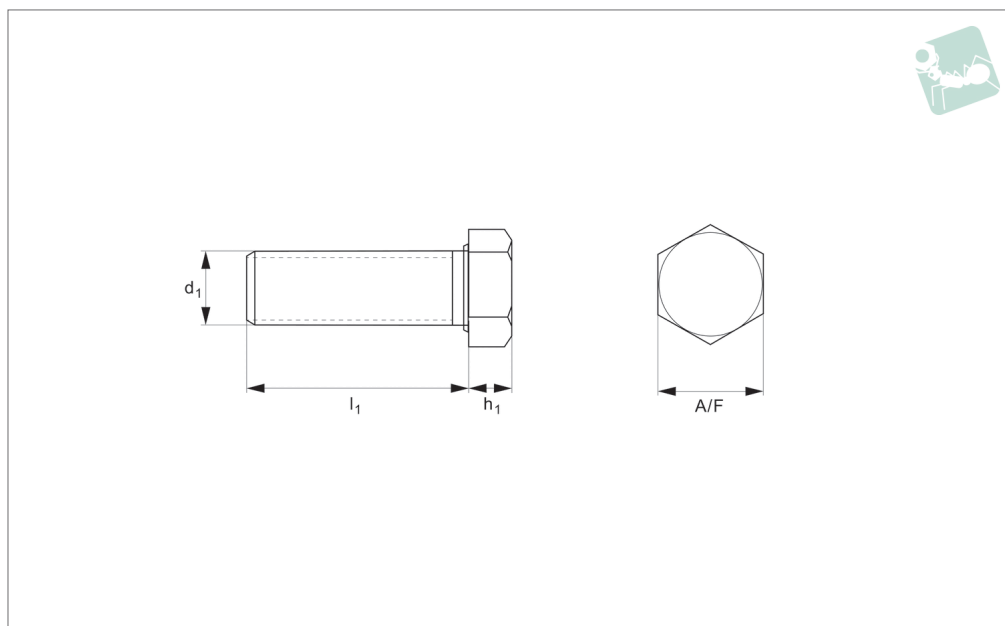




Hexagon Head Screw

with thread up to head, DIN 933, 6060

Aluminium



A0013.A6

ALUMINIUM

Material

Aluminium 6060 standard grade.

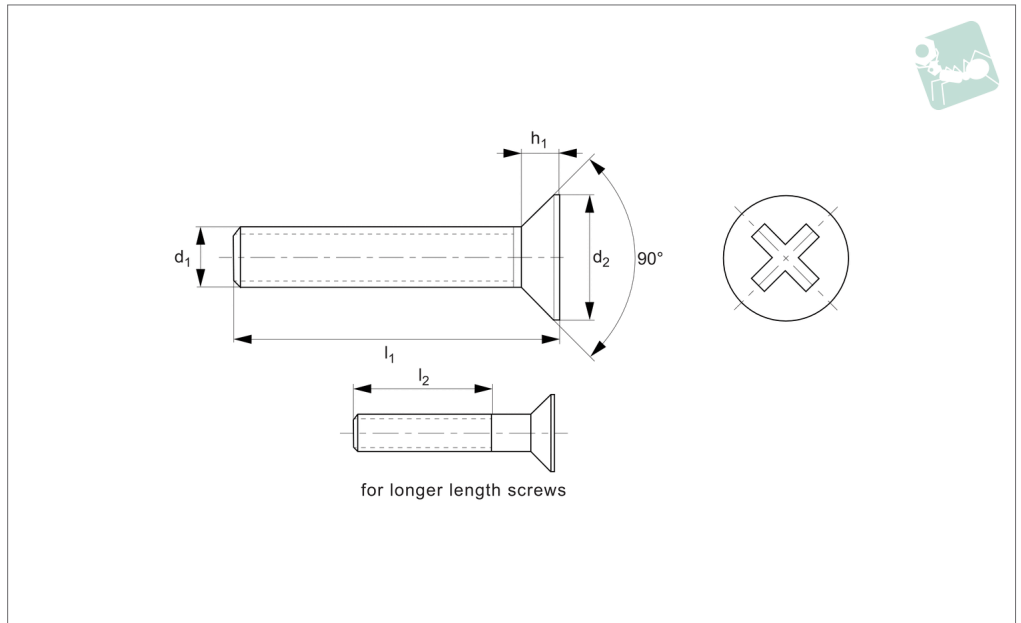
Technical Notes

To DIN 933, ISO 4017.

Order No.	Thread	l_1	h_1	A/F	Material	Finish
A0013.050-020-A6	M 5	20	3.5	8	Aluminium	unfinished
A0013.050-025-A6	M 5	25	3.5	8	Aluminium	unfinished
A0013.050-030-A6	M 5	30	3.5	8	Aluminium	unfinished
A0013.050-040-A6	M 5	40	3.5	8	Aluminium	unfinished
A0013.050-050-A6	M 5	50	3.5	8	Aluminium	unfinished
A0013.060-010-A6	M 6	10	4.0	10	Aluminium	unfinished
A0013.060-012-A6	M 6	12	4.0	10	Aluminium	unfinished
A0013.060-016-A6	M 6	16	4.0	10	Aluminium	unfinished
A0013.060-020-A6	M 6	20	4.0	10	Aluminium	unfinished
A0013.060-025-A6	M 6	25	4.0	10	Aluminium	unfinished
A0013.060-030-A6	M 6	30	4.0	10	Aluminium	unfinished
A0013.060-040-A6	M 6	40	4.0	10	Aluminium	unfinished
A0013.060-050-A6	M 6	50	4.0	10	Aluminium	unfinished
A0013.080-025-A6	M 8	25	5.3	13	Aluminium	unfinished
A0013.080-030-A6	M 8	30	5.3	13	Aluminium	unfinished
A0013.080-035-A6	M 8	35	5.3	13	Aluminium	unfinished
A0013.080-040-A6	M 8	40	5.3	13	Aluminium	unfinished
A0013.080-050-A6	M 8	50	5.3	13	Aluminium	unfinished
A0013.080-060-A6	M 8	60	5.3	13	Aluminium	unfinished
A0013.080-070-A6	M 8	70	5.3	13	Aluminium	unfinished
A0013.080-080-A6	M 8	80	5.3	13	Aluminium	unfinished
A0013.100-030-A6	M10	30	6.4	17	Aluminium	unfinished
A0013.100-040-A6	M10	40	6.4	17	Aluminium	unfinished
A0013.100-050-A6	M10	50	6.4	17	Aluminium	unfinished
A0013.120-040-A6	M12	40	7.5	18	Aluminium	unfinished
A0013.120-050-A6	M12	50	7.5	18	Aluminium	unfinished



A0019.A7



Material

Aluminium high tensile.

screw lengths the threads goes all the way to the head of the screw (i.e. $l_1 = l_2$) less 2.5 thread pitches.

portion $l_2 < l_1$.

Technical Notes

To DIN 965 H, ISO 7046. For the majority of

For longer length screws the threaded

See technical page for tightening torques.

Order No.	Thread	l_1	d_2	l_2	h_1	Size	Material	Finish
A0019.030-016	M 3	16	5.6	-	1.65	PH-1	Aluminium	clear anodised
A0019.030-020	M 3	20	5.6	-	1.65	PH-1	Aluminium	clear anodised
A0019.030-025	M 3	25	5.6	19	1.65	PH-1	Aluminium	clear anodised
A0019.040-016	M 4	16	7.5	-	2.2	PH-2	Aluminium	clear anodised
A0019.040-025	M 4	25	7.5	-	2.2	PH-2	Aluminium	clear anodised
A0019.050-012	M 5	12	9.2	-	2.5	PH-2	Aluminium	clear anodised
A0019.050-016	M 5	16	9.2	-	2.5	PH-2	Aluminium	clear anodised
A0019.050-020	M 5	20	9.2	-	2.5	PH-2	Aluminium	clear anodised
A0019.060-016	M 6	16	11	-	3.0	PH-3	Aluminium	clear anodised
A0019.060-020	M 6	20	11	-	3.0	PH-3	Aluminium	clear anodised
A0019.060-025	M 6	25	11	-	3.0	PH-3	Aluminium	clear anodised
A0019.060-030	M 6	30	11	-	3.0	PH-3	Aluminium	clear anodised
A0019.060-040	M 6	40	11	28	3.0	PH-3	Aluminium	clear anodised
A0019.060-050	M 6	50	11	28	3.0	PH-3	Aluminium	clear anodised
A0019.080-020	M 8	20	14.5	-	4.0	PH-4	Aluminium	clear anodised
A0019.080-050	M 8	50	14.5	34	4.0	PH-4	Aluminium	clear anodised