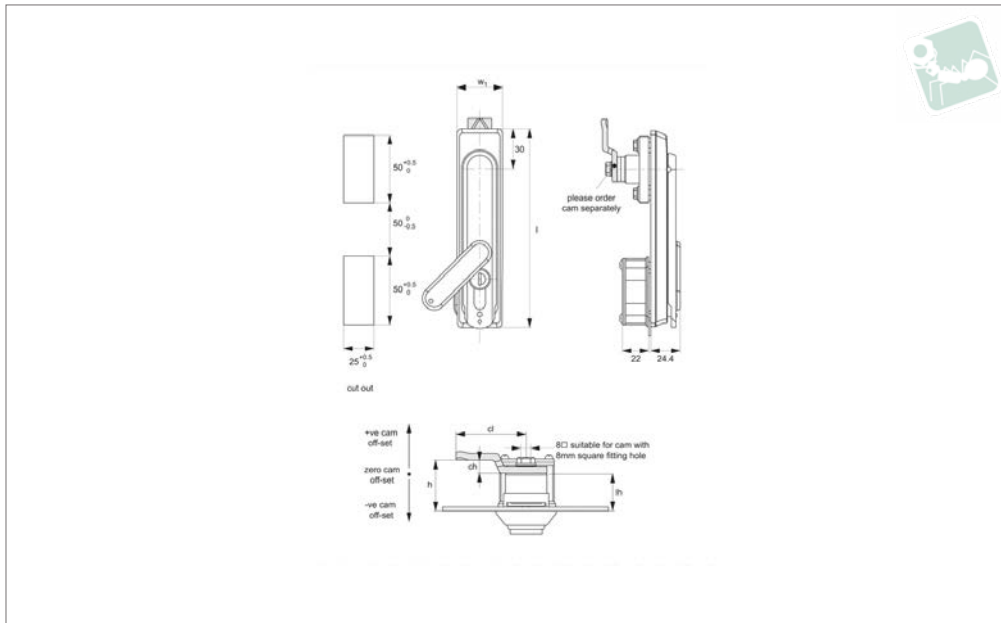




Swing Handles - Cam Control

40mm euro cylinder lock - dust cover

Swing Handles



PL0100

SWING HANDLES

Material

Type One: Body & Handle: die cast zinc, black powder coated.

Type Two: Body: Polyamide PA6, black. Handle: die cast zinc, black powder coated. Cylinder lock: die cast zinc, chrome plated.

Supplied with: Keys: two per lock.

Not supplied: Cam: order separately.

Technical Notes

Order cam separately.

Cams: see suitable cam CC0020, and

CC0040. Select „without projection“ cam type.

Dimensions ch and cl relate to cam. Use formula to calculate ch (required cam off-set), and refer to cam selection chart;

ch = h - lh where;

ch = required cam off-set/height.

h = grip length (distance between inside of latch face and front of cam).

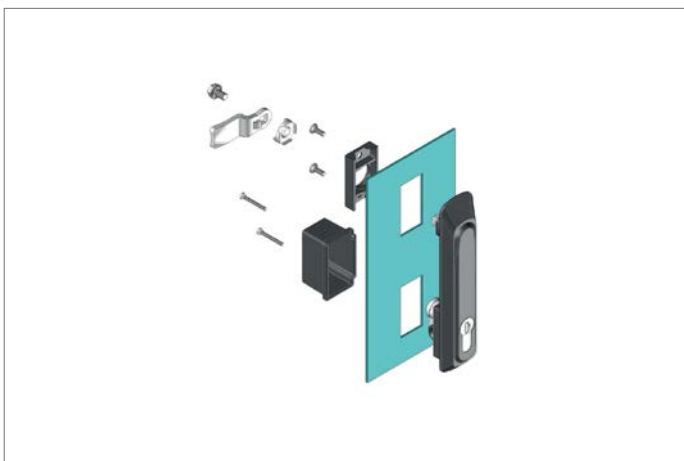
lh = body length of cam latch/lock to be used (see product table below).

Rods & Guides: to achieve 3-point latching - CC0340, CC0350, CC0355.

Tips

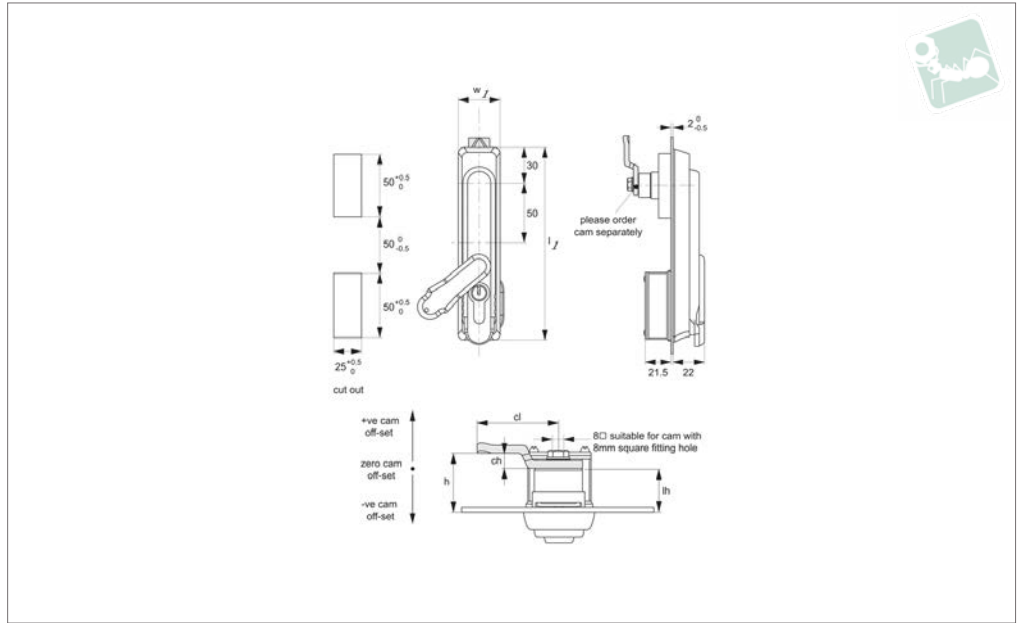
90° degree handle rotation combines with rod latch to open or close. All die cast metal construction provides higher strength than standard models. Ideal for electrical cabinets, telecom racks or enclosures max. panel thickness of 1 to 4mm. For use inside of cabinet gasket. Universal left/right.

Order No.	Type	Body	Lock type	Handle	Padlockable	Key type	l ₁	w ₁	lh
PL0100.M0010	One	Zinc	40 Euro	Zinc	No	Keyed Alike	160	34	19
PL0100.M0020	One	Zinc	40 Euro	Zinc	Yes	Keyed Alike	160	34	19
PL0100.M0310	Two	Polyamide	40 Euro	Zinc	No	Keyed Alike	160	34	19
PL0100.M0320	Two	Polyamide	40 Euro	Zinc	Yes	Keyed Alike	160	34	19





PL0110



Material

Body & Handle: polyamide, PA6, black.
Cylinder lock: die cast zinc, chrome plated.

Supplied with: Keys: two per lock.

Not supplied: Cam: order separately.

Supplied with: Keys: two per lock.

Not supplied: Cam: order separately.

Technical Notes

Order cam separately.

Cams: see suitable cam CC0020, and

CC0040. Select „without projection“ cam type.

Dimensions ch and cl relate to cam. Use formula to calculate ch (required cam off-set), and refer to cam selection chart;

ch = h - lh where;

ch = required cam off-set/height.

h = grip length (distance between inside of latch face and front of cam).

lh = body length of cam latch/lock to be

used (see product table below).

Rods & Guides: to achieve 3-point latching - CC0340, CC0350, CC0355.

Tips

Also available with radial pin lock, subject to min. order quantity.

Ideal for electrical cabinets, telecom racks or enclosures max. panel thickness of 2mm. For use inside of cabinet gasket. Universal left/right.

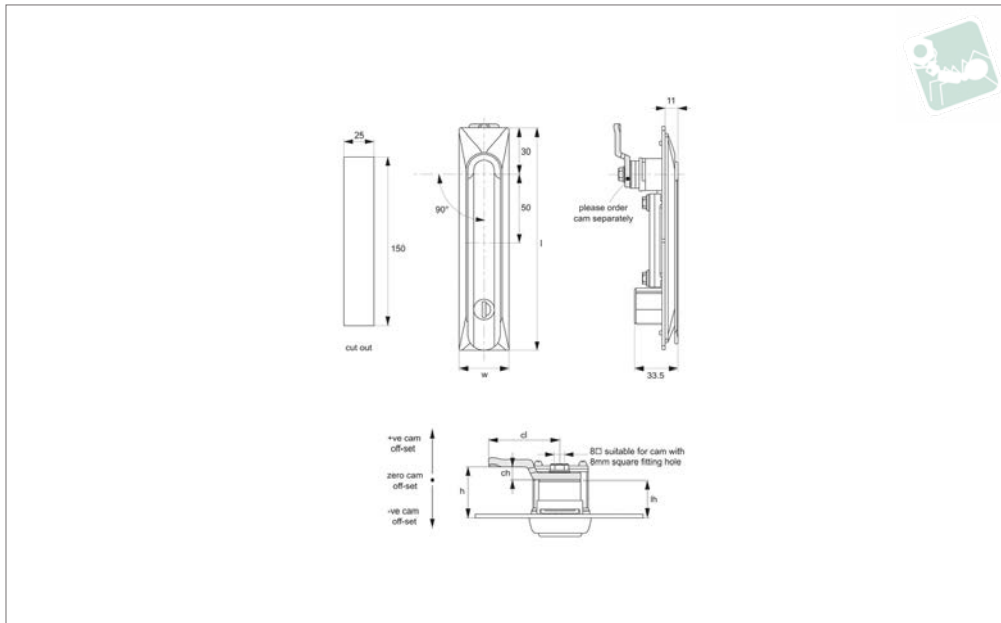
Order No.	Finish	Lock type	Key type	l ₁	w ₁	lh
PL0110.M0020	Black, Plastic	40 Euro	Keyed Alike	160	35	16



Swing Handles - Cam Control

standard cylinder lock - zinc

Swing Handles



PL0120

SWING HANDLES

Material

Body & Handle: die cast zinc, pocked black power coated.
 Polyurethane gasket: to achieve IP65 rating.
 Cylinder lock: die cast zinc, chrome plated.
Supplied with: Keys: two per lock.
Not supplied: Cam: order separately.

Technical Notes

Order cam separately.

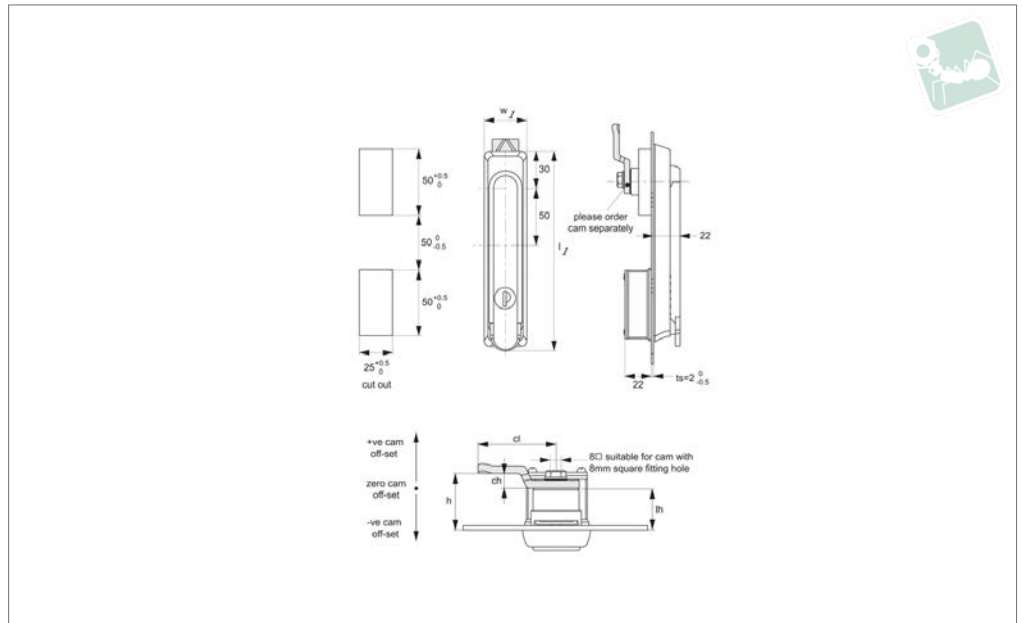
Cams: see suitable cam CC0020, and CC0040. Select „without projection“ cam type.
 Dimensions ch and cl relate to cam. Use formula to calculate ch (required cam off-set), and refer to cam selection chart;
ch = h - lh where;
ch = required cam off-set/height.
h = grip length (distance between inside of latch face and front of cam).

lh = body length of cam latch/lock to be used (see product table below).
Rods & Guides: to achieve 3-point latching - CC0340, CC0350, CC0355.

Order No.	Finish	Lock type	Key type	l	w	lh
PL0120.M0010	Black Coated	Std. Cylinder	Keyed Alike	160	36	20



PL0210



Material

Body & Handle: polyamide PA6, black.
 Cylinder lock: die cast zinc, chrome plated.
Supplied with: Keys: two per lock.
Not supplied: Cam: order separately.

Technical Notes

Order cam separately.
Cams: see suitable cam CC0020, and CC0040. Select „without projection“ cam

type.

Dimensions ch and cl relate to cam. Use formula to calculate ch (required cam off-set), and refer to cam selection chart;
ch = h - lh where;
ch = required cam off-set/height.
h = grip length (distance between inside of latch face and front of cam).
lh = body length of cam latch/lock to be

used (see product table below).

Rods & Guides: to achieve 3-point latching - CC0340, CC0350, CC0355.

Tips

For use in electrical cabinets, telecom racks or enclosures. Max. panel thickness of 2mm. For use inside of cabinet gasket. Universal left/right.

Order No.	Finish	Lock type	Key type	l ₁	w ₁	lh
PL0210.M0010	Black, Plastic	Std. Cylinder	Keyed Alike	160	35	16