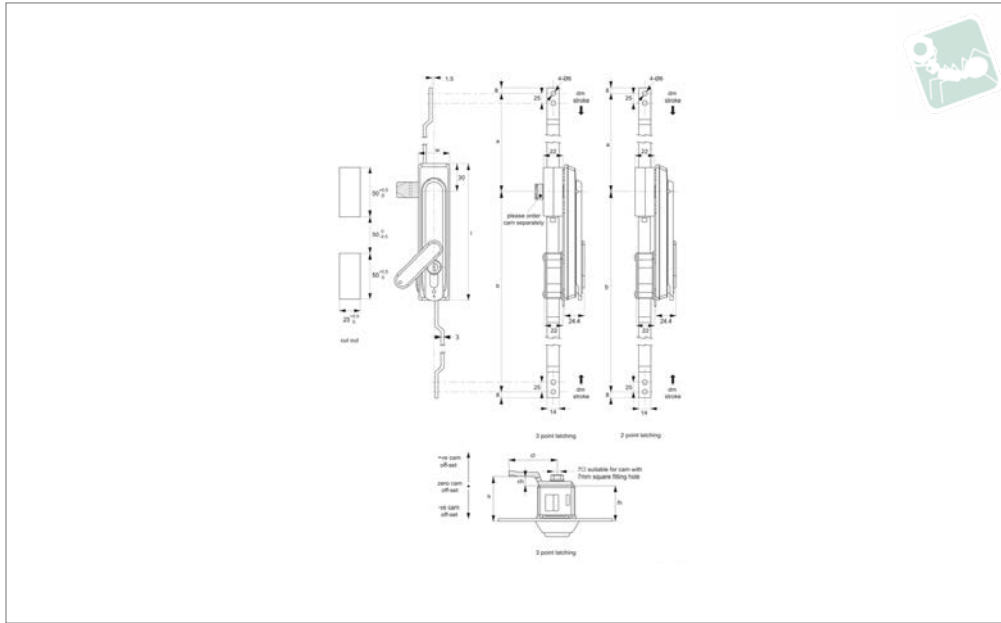




Swing Handles - with Rod Control

40mm euro cylinder lock - dust cover - zinc or poly-

Latches



PL0500

LATCHES

Material

Type One: Body & Handle: die cast zinc, black powder coated.

Type Two: Body: Polyamide PA6, black.
Handle: die cast zinc, black powder coated.

Cylinder lock: die cast zinc, chrome plated.

Rod Control Mechanism: die cast zinc.

Supplied with: Keys: two per lock.

Not supplied: Cam: order separately.

Technical Notes

All locks are **keyed alike**.

Order cam separately.

Three point latching model utilises rod control plus a cam.

Two point latching model cannot accommodate a cam.

Cams: see suitable cam . Select „without projection“ cam type.

Dimensions ch and cl relate to cam. Use formula to calculate ch (required cam off-set), and refer to cam selection chart;

ch = h - lh where;

ch = required cam off-set/height.

h = grip length (distance between inside of

latch face and front of cam).

lh = body length of cam latch/lock to be used (see product table below).

Rods & Guides: to achieve 3-point latching - CC0340, CC0350, CC0355.

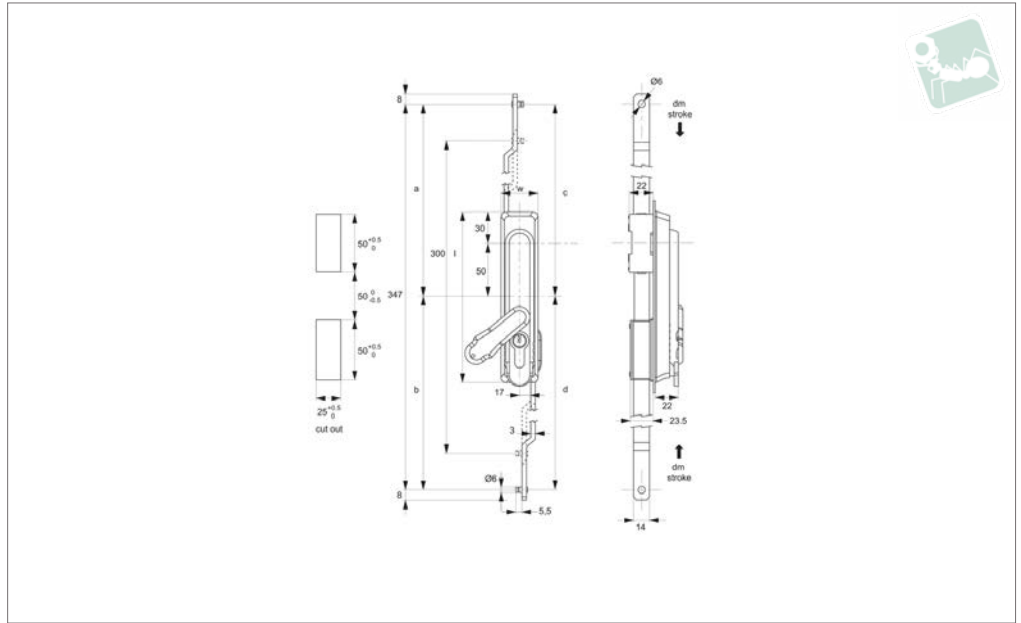
Tips

90° degree handle rotation combines with rod latch to open or close. Panel thickness 1-4mm. All the cast metal construction provides higher strength.

Order No.	Type	Body	Handle	Latching type	l	Padlockable	w	lh	a	b	dm stroke
PL0500.M0010	One	Zinc	Zinc	2 point	160	No	34	23	122	196	15
PL0500.M0020	One	Zinc	Zinc	2 point	160	Yes	34	23	196	122	15
PL0500.M0310	Two	Polyamide	Zinc	3 point	160	No	34	23	196	122	15
PL0500.M0320	Two	Polyamide	Zinc	3 point	160	Yes	34	23	196	122	15



PL0510



Material

Body & Handle: polyamide (PA), black.
 Cylinder lock: die cast zinc, chrome plated.
 Rod Control Mechanism: die cast zinc.

Supplied with: Keys: two per lock.

Not supplied: Cam: order separately.

Technical Notes

Suitable for two point latching.
 Not suitable for three point latching.

Tips

Also available with radial pin lock, subject

to min. order quantity.

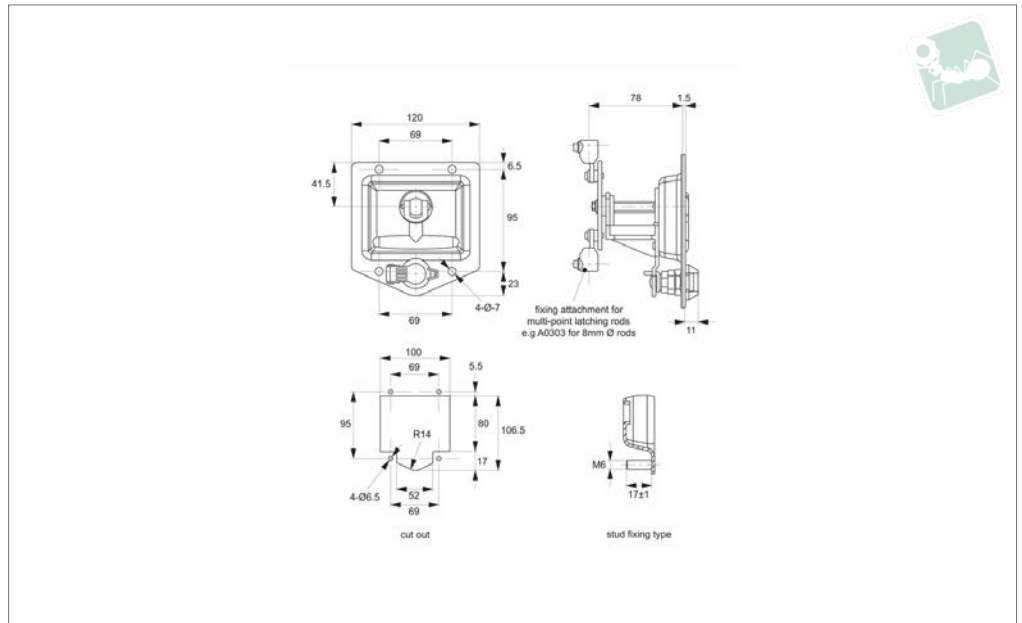
Ideal for electrical cabinets, telecom racks or enclosures max. panel thickness of 2mm. For use inside of cabinet gasket.

Universal left/right.

Order No.	Finish	Lock type	Key type	l	w	lh	a	b	c	d	dm stroke 135°	dm stroke 90°
PL0510.M0020	Black, Plastic	40 Euro	Keyed Alike	160	35	23	123.5	223.5	173.5	173.5	23.5	16



PL0580



Material

Body: stainless steel, AISI 303.
 Handle: die cast zinc, chrome plated.
 Cylinder lock: die cast zinc, chrome plated.
Supplied with: Keys: two per lock.

Technical Notes

Hole fixing type requires 4 off M 6 screws

(not supplied) for front mounting.
 Stud fixing type has 4 off M 6 welding studs for rear mounting with M 6 nuts (not supplied).
 Use with multi-point latching rods (e.g. CC0340), with 8mm Ø rods, to achieve two point latching of larger enclosure panels.

Tips

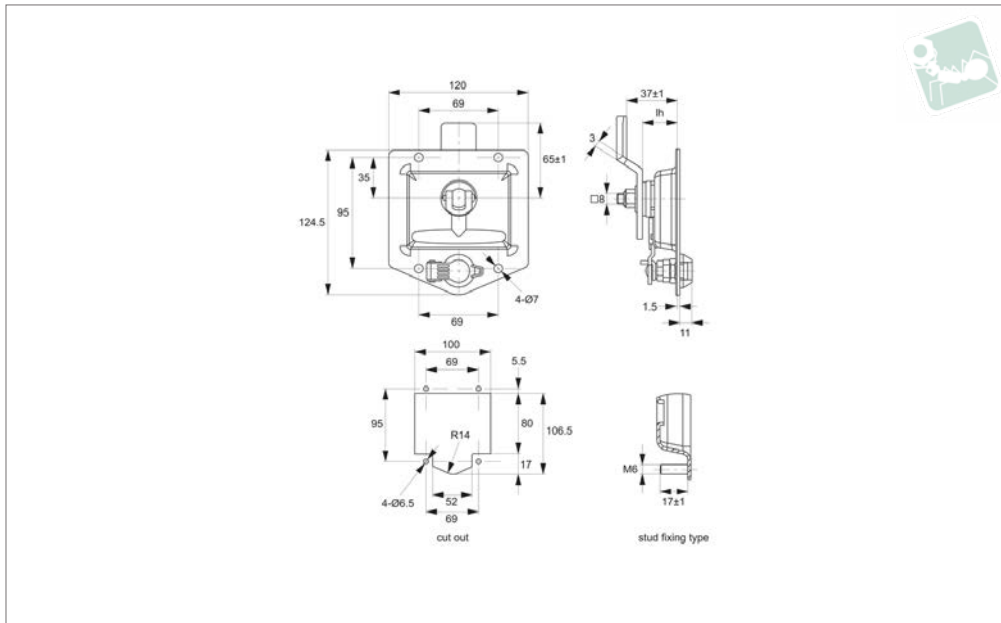
Ideal for electricity sub-stations, HGVs and other road side vehicles.
 T-handle is in the vertical position when locked. Universal left/right. For use inside of cabinet gasket.

Order No.	Mounting type	Lock type	Key type
PL0580.M0010	Hole Fixing	Std. Cylinder	Keyed Alike
PL0580.M0020	Stud Fixing	Std. Cylinder	Keyed Alike



Cam Latch - Flush T-handle

vertical - heavy duty - fixed grip - standard cylinder



PL0585

LATCHES

Material

Body: stainless steel, AISI 303.
 Handle: die cast zinc, chrome plated.
 Cylinder lock: die cast zinc, chrome plated.
Supplied with: Keys: two per lock.
 Cam: stainless steel, AISI 303.

Technical Notes

Hole fixing type requires 4 off M 6 screws

(not supplied), for front mounting.
 Stud fixing type has 4 off M 6 welded studs for near mounting with M 6 nuts (not supplied).

Tips

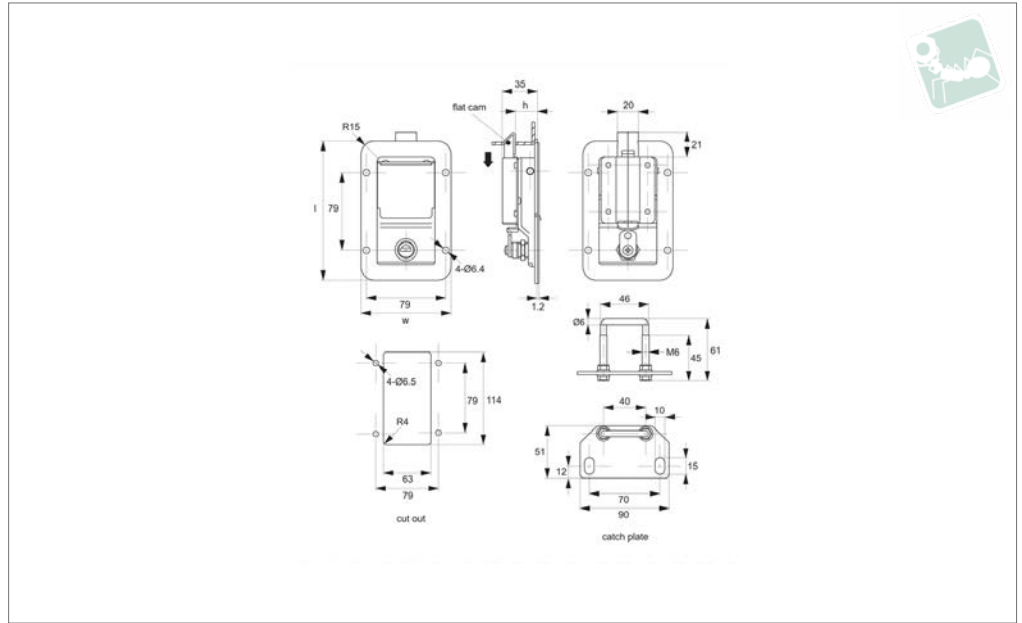
Ideal for electricity sub-stations, HGVs and other road side vehicles.
 T-handle is in the vertical position when

locked. Universal left/right. For use inside of cabinet gasket.
 Can be used with cam range CC0020.

Order No.	Mounting type	Lock type	Key type	lh
PL0585.M0010	Hole Fixing	Std. Cylinder	Keyed Alike	25
PL0585.M0020	Stud Fixing	Std. Cylinder	Keyed Alike	25



PL0740



Material

Body and Handle: stainless steel, AISI 304.
Cylinder lock: die cast zinc, chrome plated.

Supplied with: Keys: two per lock.

Not Supplied: Catch plate: please order separately.

Technical Notes

Hole fixing type requires 4 off M 6 screws (not supplied) for front mounting.

Spring loaded, slam action handle.

Universal left/right. For use inside of cabinet gasket.

Tips

Fully integrated lock, latch and flush fitting paddle handle, ideal for generators, compressors, electric panels and doors.

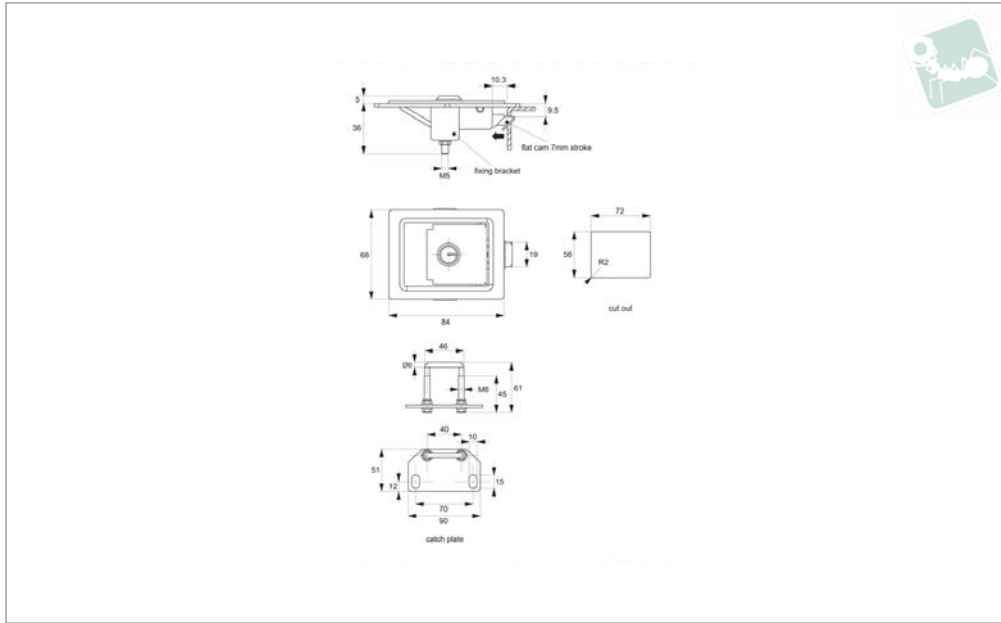
Order No.	Type	h	l	w
PL0740.M0010	With Lock	22	140	90
PL0740.M0020	Blank - No Lock	22	140	90



Push To Close Paddle Latches

pull to open - slam action - standard cylinder lock -

Latches



PL0710

LATCHES

Material

Body and Handle: steel, black powder coated.
Cylinder lock: die cast zinc, zinc plated.

Supplied with: Keys: two per lock.

Not Supplied: Catch plate: please order separately.

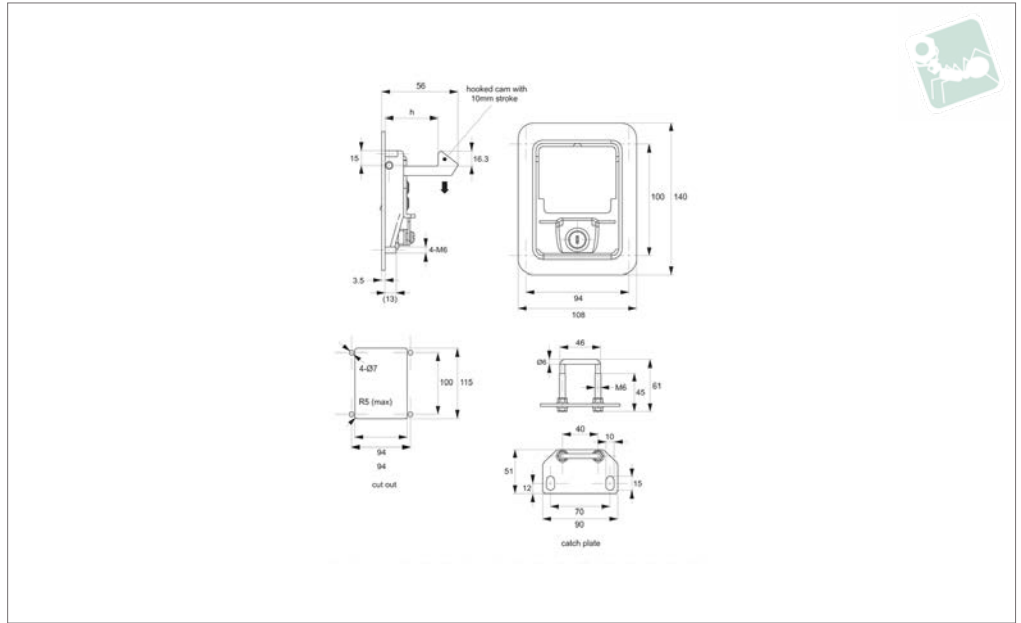
Technical Notes

Spring loaded, slam action handle. Installation via 72x56mm cut out.

Order No.	Lock type
PL0710.M0010	Std. Cylinder
PL0710.M0020	Blank - No Lock



PL0712



Material

Body and Handle: steel, black powder coated.
 Cylinder lock: die cast zinc, zinc plated.
Supplied with: Keys: two per lock.
Not Supplied: Catch plate: please order separately.

Technical Notes

Stud fixing type has 4 off M 6 welded studs for rear mounting with M 6 nuts (not supplied).
 Universal left/right. For use inside of cabinet gasket.

Tips

Fully integrated lock, latch and flush fitting paddle handle, ideal for generators, compressors, electric panels and doors.

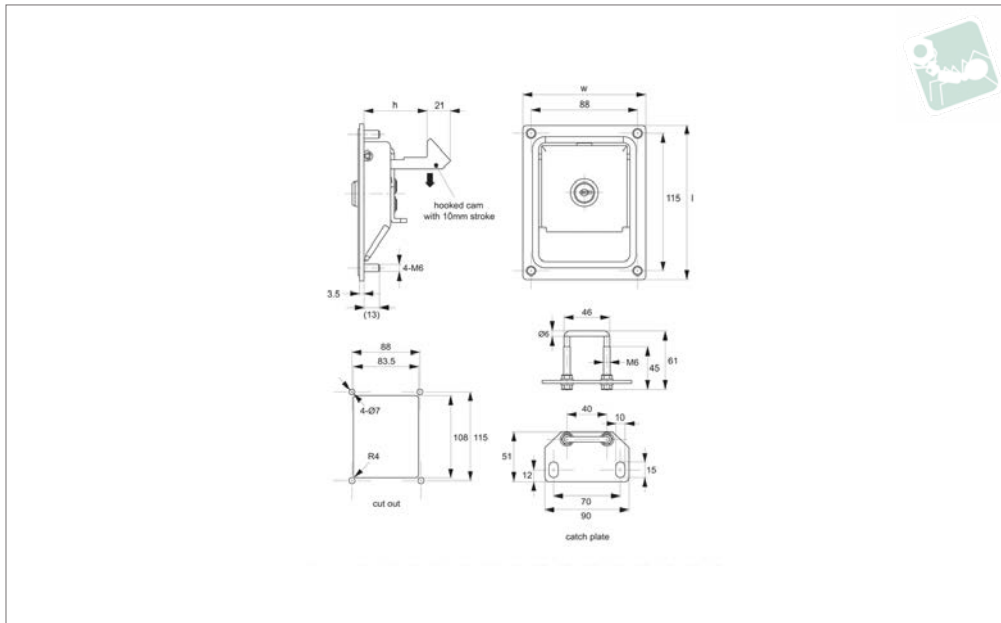
Order No.	Lock type	Type	h
PL0712.M0010	Std. Cylinder	Latch	31.5
PL0712.M0020	Std. Cylinder	Latch	44.0
PL0712.M0030	Std. Cylinder	Latch	55.0



Push To Close Paddle Latches

pull to open - slam action - standard cylinder lock -

Latches



PL0730

LATCHES

Material

Body and Handle: steel, black powder coated.

Cylinder lock: die cast zinc, zinc plated.

Supplied with: Keys: two per lock.

Not Supplied: Catch plate: please order

separately.

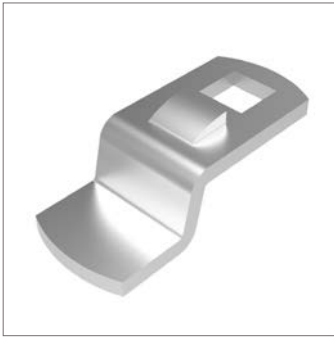
Technical Notes

Stud fixing type has 4 off M 6 welded studs for rear mounting with M 6 nuts (not supplied).

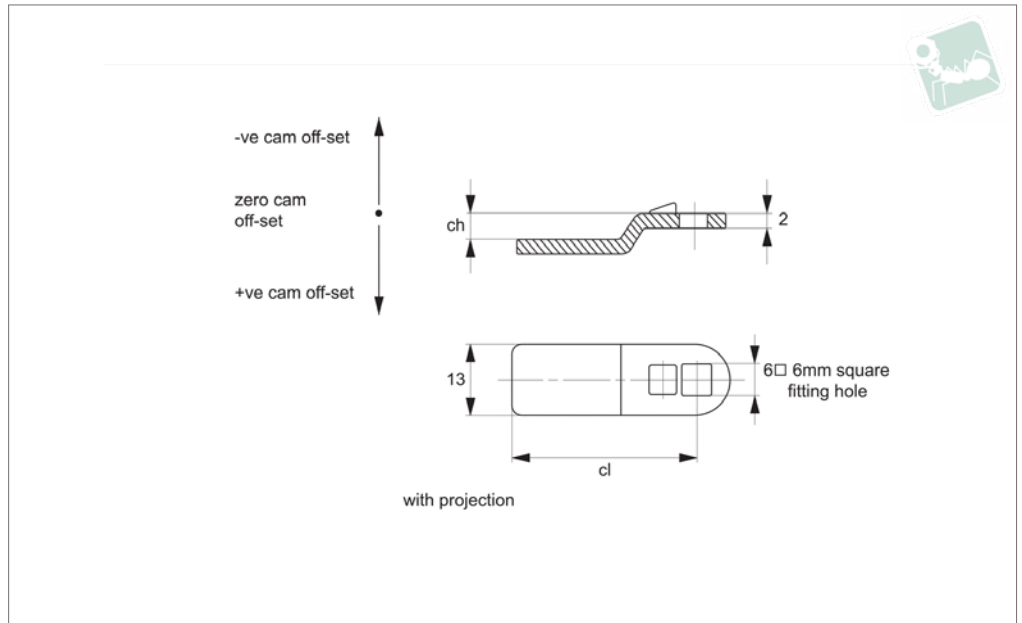
Tips

Fully integrated lock, latch and flush fitting paddle handle, ideal for generators, compressors, electric panels and doors.

Order No.	Lock type	Type	h	l	w
PL0730.M0010	Std. Cylinder	Latch	30.5	127	101.5
PL0730.M0020	Std. Cylinder	Latch	43.0	127	101.5
PL0730.M0030	Std. Cylinder	Latch	54.0	127	101.5
PL0730.M0040	Blank - No Lock	Latch	30.5	127	101.5
PL0730.M0050	Blank - No Lock	Latch	43.0	127	101.5



CC0050



Material

Steel, zinc plated.

Technical Notes

Use formula to calculate ch (required cam off-set), and select from product table below;

$ch = h - lh$ where;

ch = required cam off-set/height.

h = grip length (distance between inside of latch face and front of cam).

lh = body length of cam latch/lock to be used (see individual latch/lock product table).

Refer to installation drawing below.

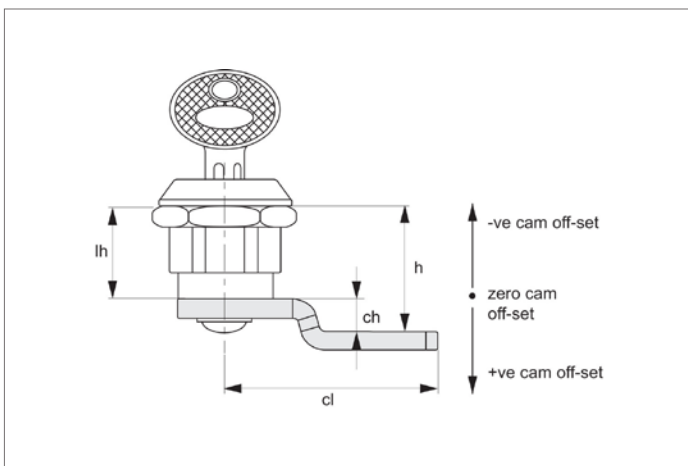
Important Notes

With projection type ensures correct location and prevents cam rotating over 45°.

See cam selection chart for specific latch/lock suitability.

Sold subject to pack quantity.

Order No.	ch	cl	Where $lh = 18$ $h =$	Where $lh = 18,5$ $h =$	Where $lh = 20$ $h =$	Where $lh = 25$ $h =$	Where $lh = 30$ $h =$	Where $lh = 40$ $h =$	Where $lh = 50$ $h =$	Where $lh = 60$ $h =$
CC0050.M0200	0	25	18	18,5	20	25	30	40	50	60
CC0050.M0206	6	25	24	24,5	26	31	36	46	56	66
CC0050.M0296	-6	25	12	12,5	14	19	24	34	44	54
CC0050.M0307	7	30	25	25,5	27	32	37	47	57	67

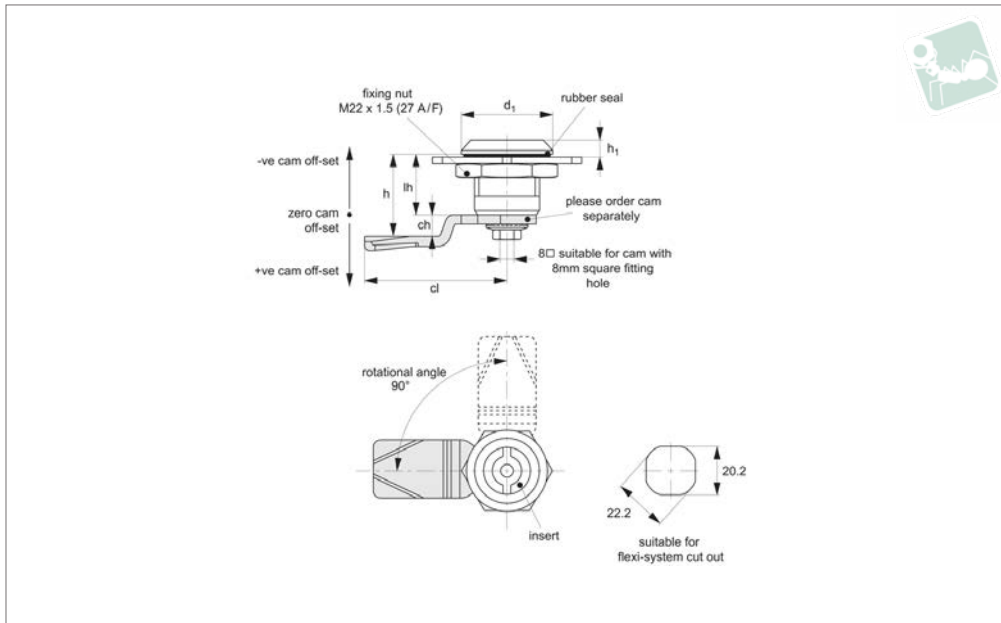




Cam Latches - Flexi-System

insert driver - fixed grip - zinc

Latches



CC0400

LATCHES

Material

Body & insert: die cast zinc. Finished in chrome plate or black powder coating. Insert fitted with O'ring to achieve IP54 rating. Internal spring provides 1,5mm torsion.

Supplied with: Nut: steel, zinc plated. Sealing washer: PU and rubber.

Not supplied: CAM nor KEY - order separately.

Technical Notes

Order cam and key separately.

Cams: see suitable cam CC0020, and CC0040. Select „without projection“ cam type.

Dimensions ch and cl relate to cam. Use formula to calculate ch (required cam off-set), and refer to cam selection chart;

ch = h - lh where;

ch = required cam off-set/height.

h = grip length (distance between inside of latch face and front of cam).

lh = body length of cam latch/lock to be used (see product table below).

Keys: see CC0010.

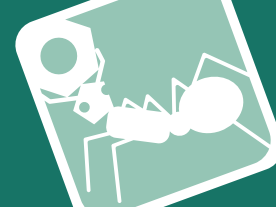
Rods & Guides: to achieve 3-point latching - CC0340, CC0350, CC0355.

Important Notes

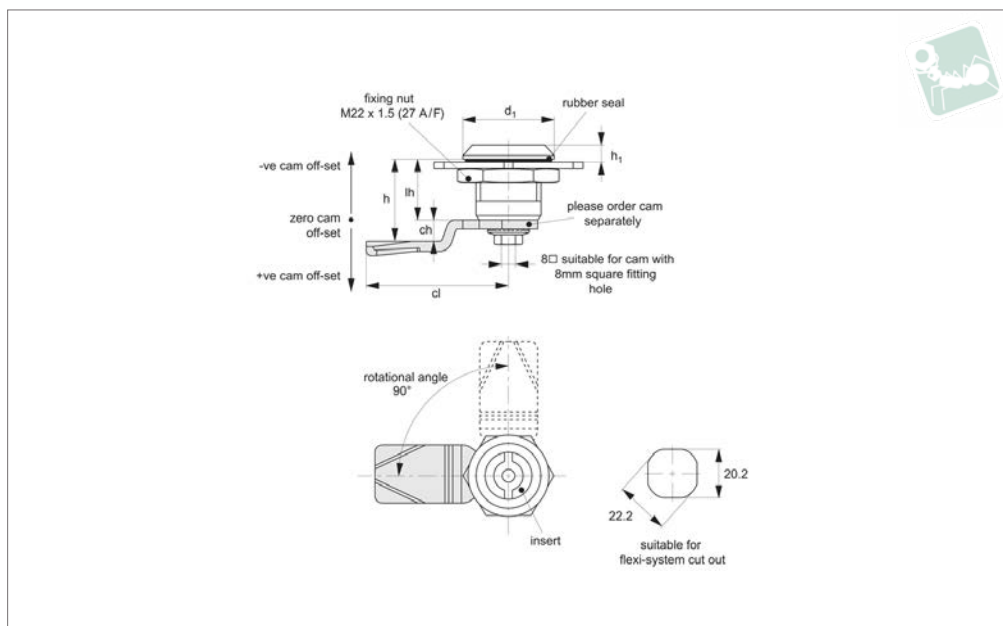
Extended body version - CC0460.

Sold subject to pack quantity.

Order No.	Finish	Insert driver	d ₁	h ₁	lh
CC0400.M0010	Chrome Plated	Square 7	28	6	18
CC0400.M0310	Black Coated	Square 7	28	6	18
CC0400.M0020	Chrome Plated	Square 8	28	6	18
CC0400.M0320	Black Coated	Square 8	28	6	18
CC0400.M0040	Chrome Plated	Triangle 7	28	6	18
CC0400.M0340	Black Coated	Triangle 7	28	6	18
CC0400.M0050	Chrome Plated	Triangle 8	28	6	18
CC0400.M0350	Black Coated	Triangle 8	28	6	18
CC0400.M0060	Chrome Plated	3mm Double Bit	28	6	18
CC0400.M0360	Black Coated	3mm Double Bit	28	6	18
CC0400.M0070	Chrome Plated	4mm Double Bit	28	6	18
CC0400.M0370	Black Coated	4mm Double Bit	28	6	18
CC0400.M0080	Chrome Plated	Slotted (2x4)	28	6	18
CC0400.M0380	Black Coated	Slotted (2x4)	28	6	18



CC0410



Material

Body: polyamide plastic, black.

Insert: zinc alloy, black coated. Fitted with O'ring to achieve IP54 rating. Internal spring provides 1,5mm torsion.

Supplied with: Nut: steel, zinc plated.

Sealing washer: PU & Rubber.

Not supplied: CAM nor KEY - order separately.

Technical Notes

Order cam and key separately.

Cams: see suitable cam CC0020, and CC0040. Select „without projection“ cam type.

Dimensions ch and cl relate to cam. Use formula to calculate ch (required cam off-set), and refer to cam selection chart;

$ch = h - lh$ where;

ch = required cam off-set/height.

h = grip length (distance between inside of latch face and front of cam).

lh = body length of cam latch/lock to be

used (see product table below).

Keys: see CC0010.

Rods & Guides: to achieve 3-point latching - CC0340, CC0350, CC0355.

Important Notes

An inexpensive alternative to stainless steel, where water or other solutions may cause corrosion.

Sold subject to pack quantity.

Order No.	Insert driver	d_1	h_1	lh
CC0410.M0010	Square 7	28	6	18
CC0410.M0020	Square 8	28	6	18
CC0410.M0040	Triangle 7	28	6	18
CC0410.M0050	Triangle 8	28	6	18
CC0410.M0060	3mm Double Bit	28	6	18
CC0410.M0070	4mm Double Bit	28	6	18
CC0410.M0080	Slotted (2x4)	28	6	18










Cam Latches - Flexi-System

insert driver - fixed grip - plastic

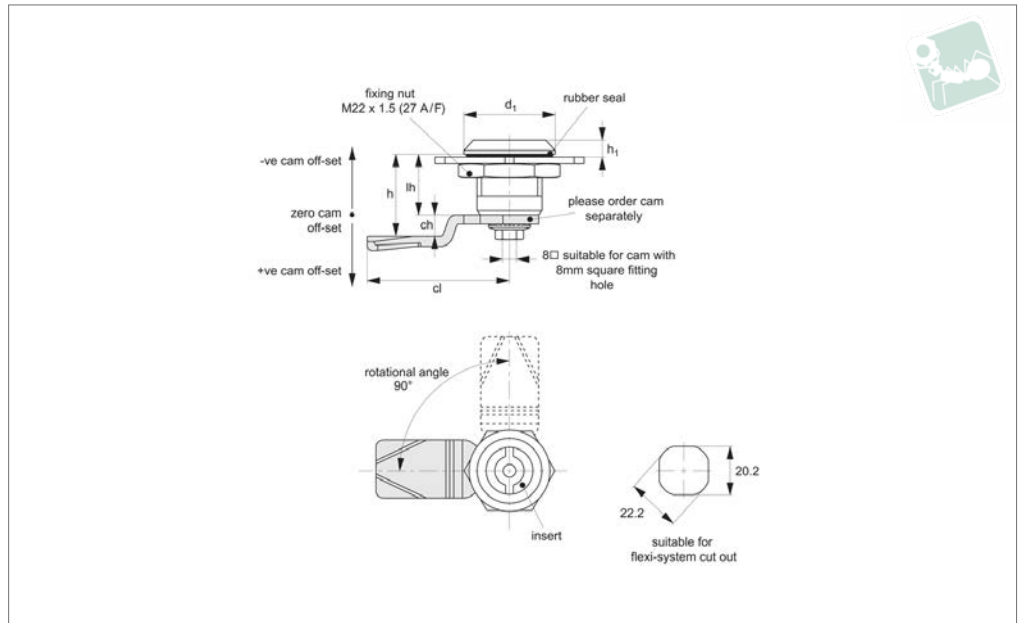
Latches

Available insert drivers:

Square 7	Square 8	Triangle 7	Triangle 8	3mm Double Bit	4mm Double Bit	2 x 4mm Slotted
						



CC0420



Material

Body & Insert: stainless steel, AISI 304.
 Insert fitted with O'ring to achieve IP54 rating. Internal spring provides 1,5mm torsion.

Supplied with: Nut: stainless steel.

Sealing washer: PU & Rubber.

Not supplied: CAM nor KEY - order separately.

Technical Notes

Order cam and key separately.

Cams: see suitable cam CC0022. Select „without projection“ cam type.

Dimensions ch and cl relate to cam. Use formula to calculate ch (required cam off-set), and refer to cam selection chart;

ch = h - lh where;

ch = required cam off-set/height.

h = grip length (distance between inside of latch face and front of cam).

lh = body length of cam latch/lock to be used (see product table below).

Keys: see CC0010.

Rods & Guides: to achieve 3-point latching - CC0340, CC0350, CC0355.

Order No.	Insert driver	d ₁	h ₁	lh
CC0420.M0020	Square 8	28	6	18
CC0420.M0040	Triangle 7	28	6	18
CC0420.M0050	Triangle 8	28	6	18
CC0420.M0060	3mm Double Bit	28	6	18
CC0420.M0070	4mm Double Bit	28	6	18

Available insert drivers:

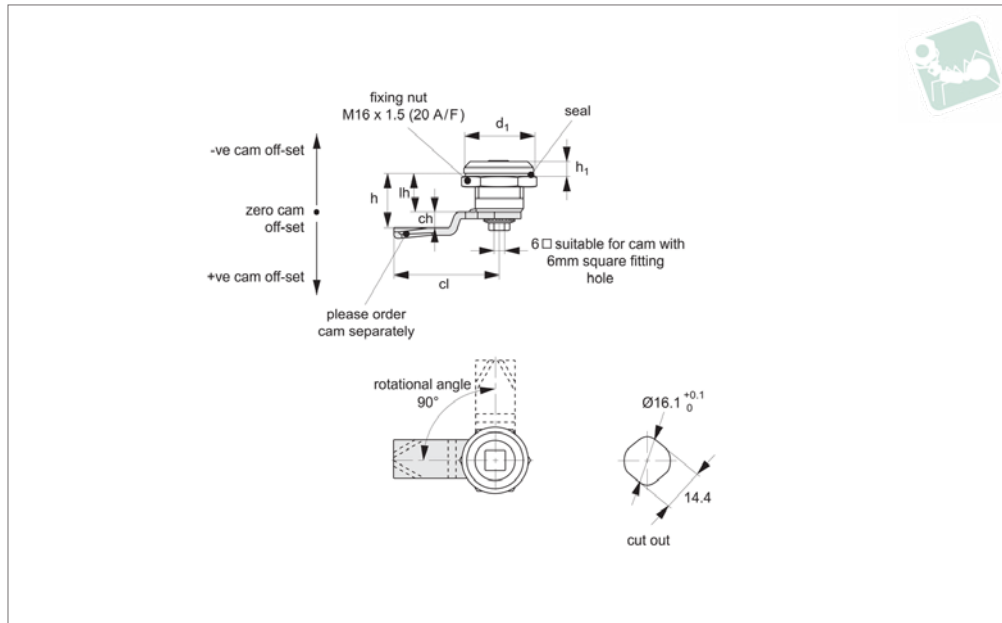
Square 8	Triangle 7	Triangle 8	3mm Double Bit	4mm Double Bit
8	6.5	8	Ø 3	Ø 4



Mini Cam Latches

insert driver - fixed grip

Latches



CC0500

LATCHES

Material

Type one: Body & insert: die cast zinc, chrome plated or black powder coated.

Supplied with: Keys: two per lock.

Not supplied: CAM - order separately.

Technical Notes

Order cam and key separately.

Cams: see suitable cam CC0050. Select „with projection“ cam type to prevent cam

rotating over 45°.

Dimensions ch and cl relate to cam. Use formula to calculate ch (required cam off-set), and refer to cam selection chart;

ch = h - lh where;

ch = required cam off-set/height.

h = grip length (distance between inside of latch face and front of cam).

lh = body length of cam latch/lock to be

used (see product table below).

Keys: see CC0010.

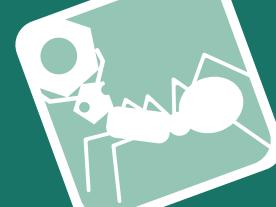
Tips

Mini cam latches for any application; securing doors, cabinets etc. Quarter-turn opening or closing.

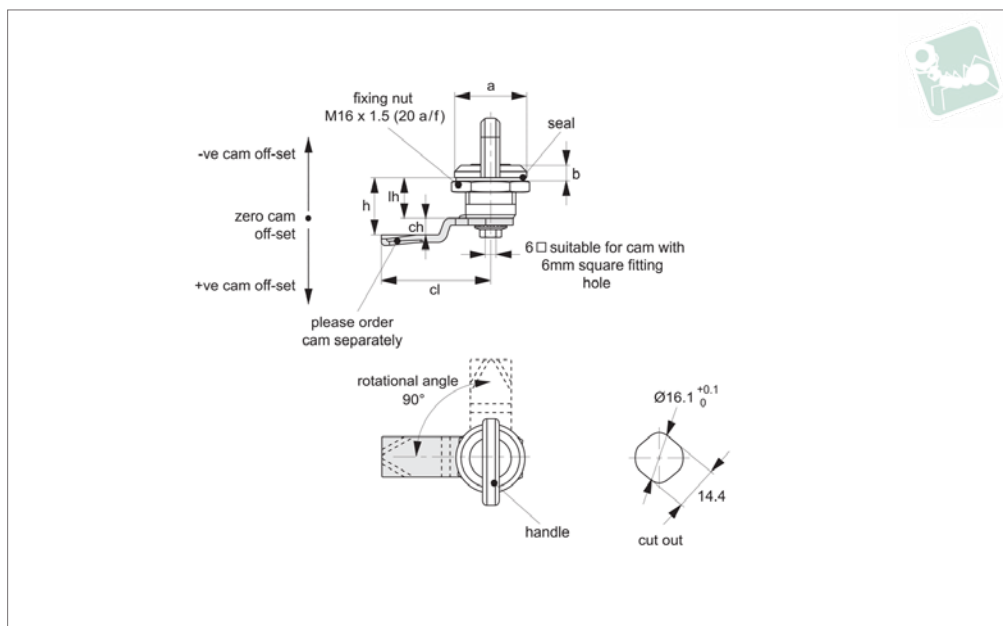
Important Notes

Sold subject to pack quantity.

Order No.	Insert driver	Finish	d ₁	h ₁	h ₃
CC0500.M0006	Square 6	Chrome	20	4	12.5
CC0500.M0078	Slot (2x4)	Chrome	20	4	12.5
CC0500.M0306	Square 6	Black Coated	20	4	12.5
CC0500.M0378	Slot (2x4)	Black Coated	20	4	12.5



CC0502



Material

Body & insert: die cast zinc, chrome plated or black powder coated.

Handle: black plastic, PA6.

Not supplied: CAM - order separately.

Technical Notes

Order cam separately.

Cams: see suitable cam CC0050. Select „with projection“ cam type to prevent cam

rotating over 45°.

Dimensions ch and cl relate to cam. Use formula to calculate ch (required cam off-set), and refer to cam selection chart;

ch = h - lh where;

ch = required cam off-set/height.

h = grip length (distance between inside of latch face and front of cam).

lh = body length of cam latch/lock to be

used (see product table below).

Tips

Wing knob actuates lock, and also acts as knob/handle.

Important Notes

Sold subject to pack quantity.

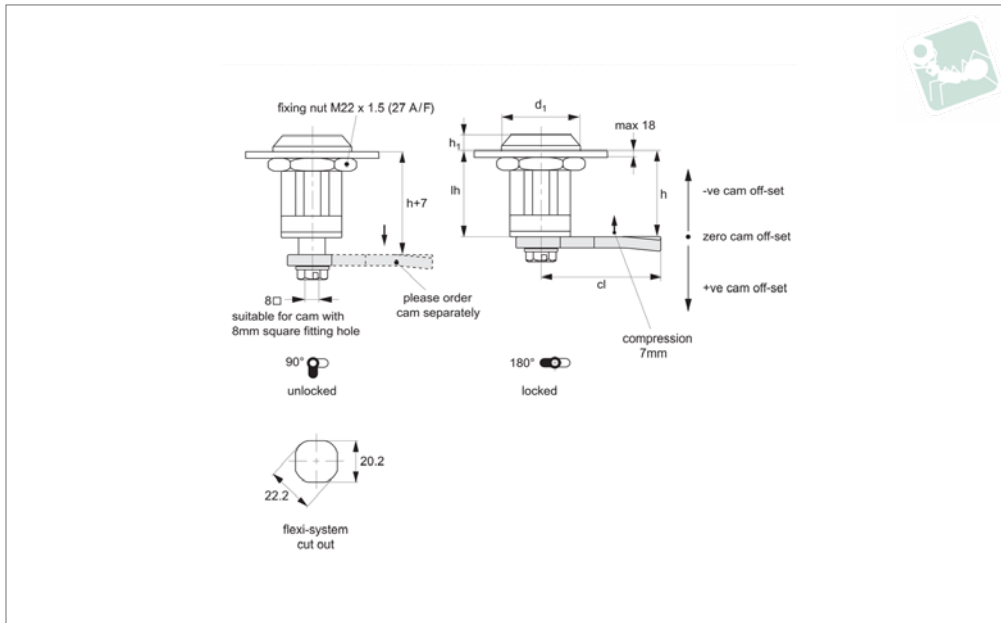
Order No.	Handle	Body	a	b	lh
CC0502.M0120	Black Plastic	Black Powder	20	4	12.5



Compression Latches - Flexi-System

insert driver - fixed grip - zinc

Latches



CC0800

LATCHES

Material

Body & insert: die cast zinc, finished in chrome plate or black powder coating.
Insert fitted with O'ring to provide IP54 rating.

Handle: polyamide.

Not supplied: CAM nor KEY - order separately.

Technical Notes

Order cam and key separately.

Cams: see suitable cam CC0020 and .

Select „without projection“ cam type.

Dimensions ch and cl relate to cam. Use formula to calculate ch (required cam off-set), and refer to cam selection chart;

$ch = h - lh$ where;

ch = required cam off-set/height.

h = grip length (distance between inside of latch face and front of cam).

lh = body length of cam latch/lock to be used (see product table below).

Keys: see CC0010.

Tips

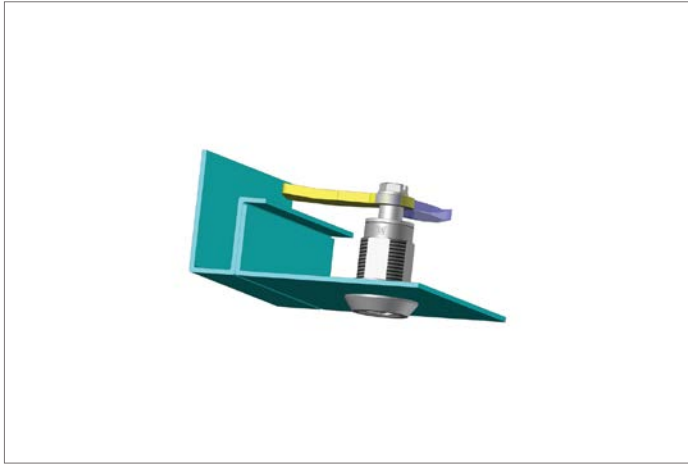
Compression locks provide sealing of enclosures to reduce vibration and to provide noise isolation.

Action:

From unlocked position, first 90° turn moves the cam to the locking position. Turn lock 180° to engage compression, cam moves to final fixing position.

Provides a 7mm compression stroke.

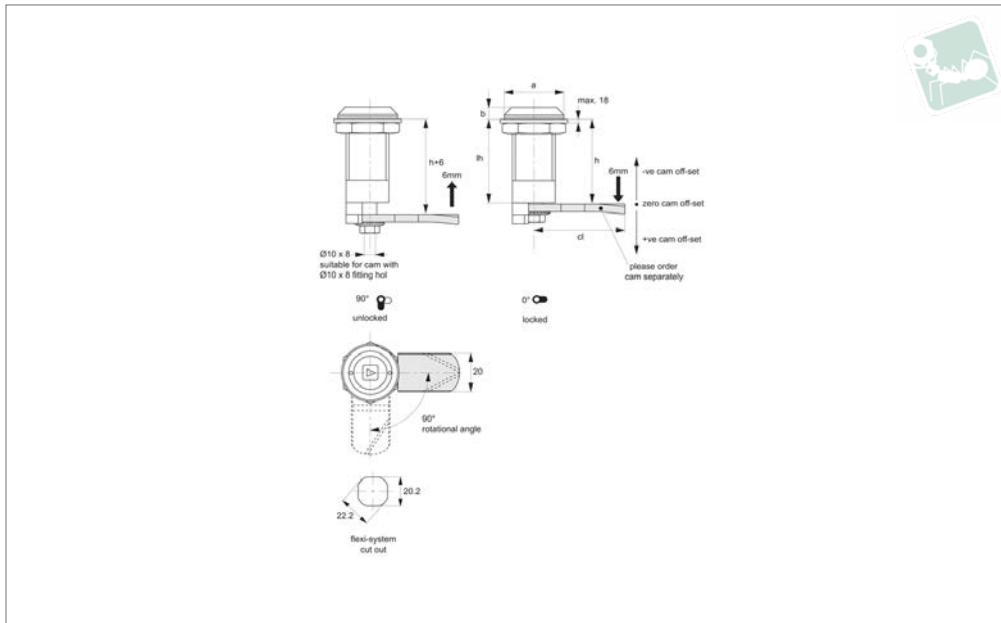
Order No.	Finish	Insert driver	d_1	h_1	lh
CC0800.M0020	Chrome Plated	Square 8	28	5.5	31
CC0800.M0320	Black Coated	Square 8	28	5.5	31
CC0800.M0040	Chrome Plated	Triangle 7	28	5.5	31
CC0800.M0340	Black Coated	Triangle 7	28	5.5	31
CC0800.M0050	Chrome Plated	Triangle 8	28	5.5	31
CC0800.M0350	Black Coated	Triangle 8	28	5.5	31
CC0800.M0080	Chrome Plated	Slot (2x4)	28	5.5	31
CC0800.M0380	Black Coated	Slot (2x4)	28	5.5	31
CC0800.M0085	Chrome Plated	Hexagon 8	28	5.5	31
CC0800.M0385	Black Coated	Hexagon 8	28	5.5	31





Compression Latches - Flexi-System

insert driver - fixed grip - stainless steel



CC0802

LATCHES

Material

Body & insert: stainless steel, AISI 304.
 Insert fitted with O'ring to provide IP54 rating.
 Shaft: steel, white zinc plated.
Not supplied: KEY - order separately.

Technical Notes

Order cam and key separately.
Cams: see suitable cam CC0030 and A0233.
 Select „without projection“ cam type.
 Dimensions ch and cl relate to cam. Use

formula to calculate ch (required cam off-set), and refer to cam selection chart;
 $ch = h - lh$ where;
ch = required cam off-set/height.
h = grip length (distance between inside of latch face and front of cam).
lh = body length of cam latch/lock to be used (see product table below).
Keys: see CC0010.

Tips

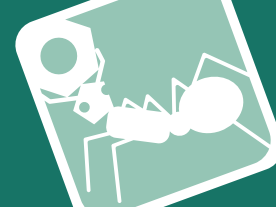
Compression locks provide sealing of

enclosures to reduce vibration and to provide noise isolation.

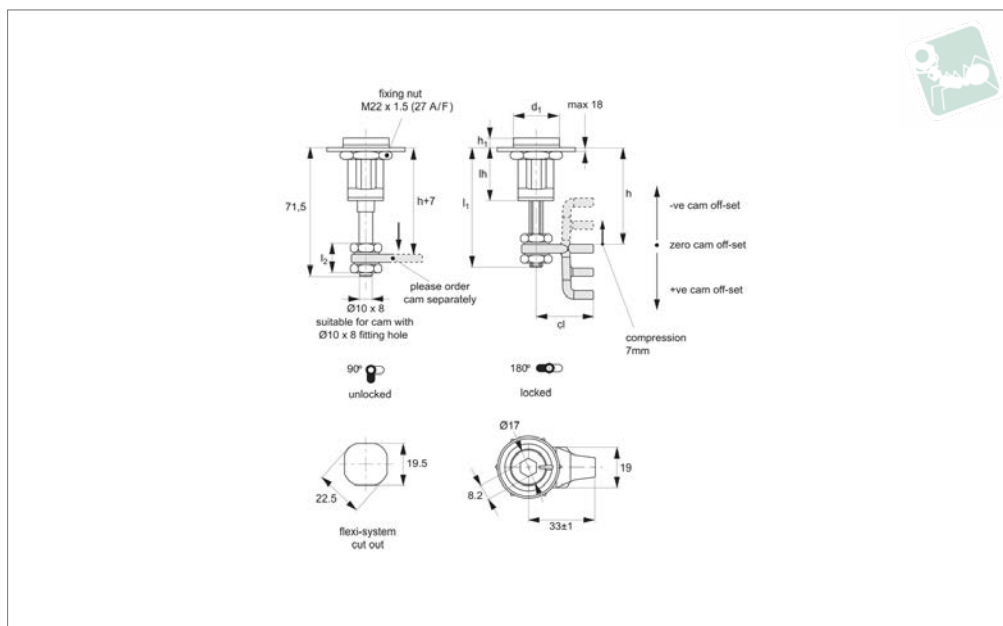
Action:

From unlocked position, first 90° turn moves the cam to the locking position. Turn lock 180° to engage compression, cam moves to final fixing position.
Provides a 6mm compression stroke.

Order No.	Insert driver	Type	a	b	lh
CC0802.M0020	Square 8	Fixed Grip	28	5	38
CC0802.M0050	Triangle 8	Fixed Grip	28	5	38



CC0810



Material

Body & insert: die cast zinc, chrome plate or black coated finish. Insert fitted with O’ring to provide IP54 rating.

Handle: polyamide.

Not supplied: CAM nor KEY - order separately.

Technical Notes

Order cam and key separately.

Cams: see suitable cam CC0030 and A0233.

Select „without projection“ cam type.

Dimensions ch and cl relate to cam. Use

formula to calculate ch (required cam off-set), and refer to cam selection chart;

ch = h - lh where;

ch = required cam off-set/height.

h = grip length (distance between inside of latch face and front of cam).

lh = body length of cam latch/lock to be used (see product table below).

Keys: see CC0010.

Tips

Compression locks provide sealing of enclosures to reduce vibration and to

provide noise isolation. Adjustable grip type has an extended stem which can be cut in length to best suit your application.

Action:

From unlocked position, first 90° turn moves the cam to the locking position. Turn lock 180° to engage compression, cam moves to final fixing position.

Provides a 7mm compression stroke.

Important Notes

Cam: quarter turn to open or close. Locking function.

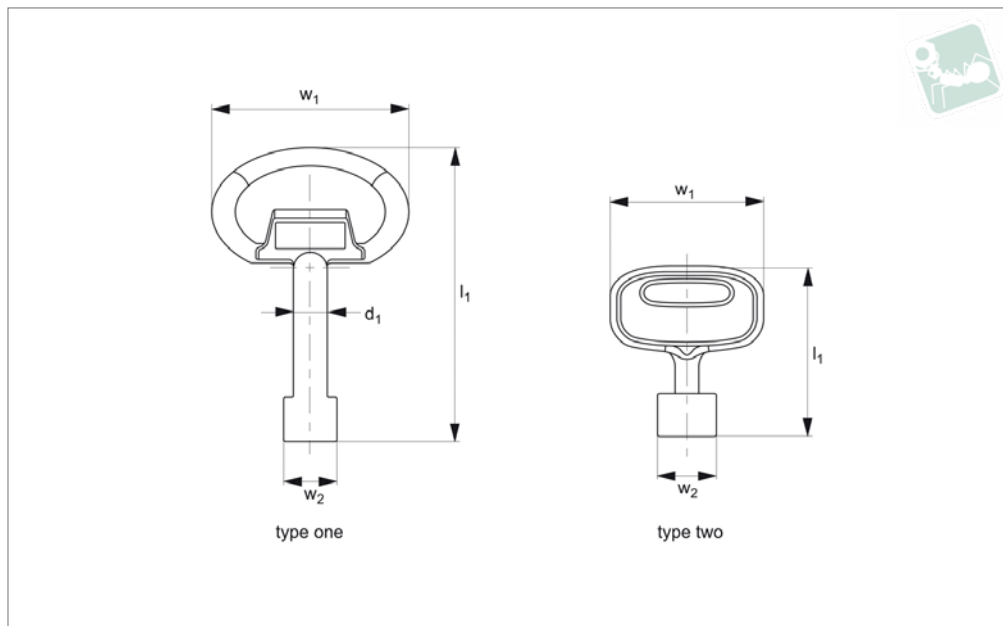
Order No.	Finish	Insert driver	d ₁	h ₁	lh	l ₁	l ₂ useful thread
CC0810.M0020	Chrome Plated	Square 8	28	4.5	32	64.5	15
CC0810.M0320	Black Coated	Square 8	28	4.5	32	64.5	15
CC0810.M0040	Chrome Plated	Triangle 7	28	4.5	32	64.5	15
CC0810.M0340	Black Coated	Triangle 7	28	4.5	32	64.5	15
CC0810.M0050	Chrome Plated	Triangle 8	28	4.5	32	64.5	15
CC0810.M0350	Black Coated	Triangle 8	28	4.5	32	64.5	15
CC0810.M0080	Chrome Plated	Slot (2x4)	28	4.5	32	64.5	15
CC0810.M0380	Black Coated	Slot (2x4)	28	4.5	32	64.5	15
CC0810.M0085	Chrome Plated	Hexagon 8	28	4.5	32	64.5	15
CC0810.M0385	Black Coated	Hexagon 8	28	5.5	31	64.5	15



Keys - Flexi-System

for cam latches and locks - zinc

Latches



CC0010

LATCHES

Material

Die cast zinc.

Technical Notes

Keys for our range of cam latches. For slot

type cam latches no special key required - simply use flat head screwdriver.

Note: For part .AW0006 (Square 6) use key CC0010.AW0206 only.

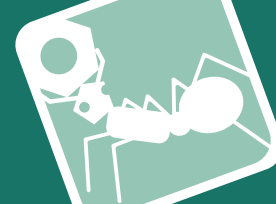
Important Notes

Sold subject to pack quantity.

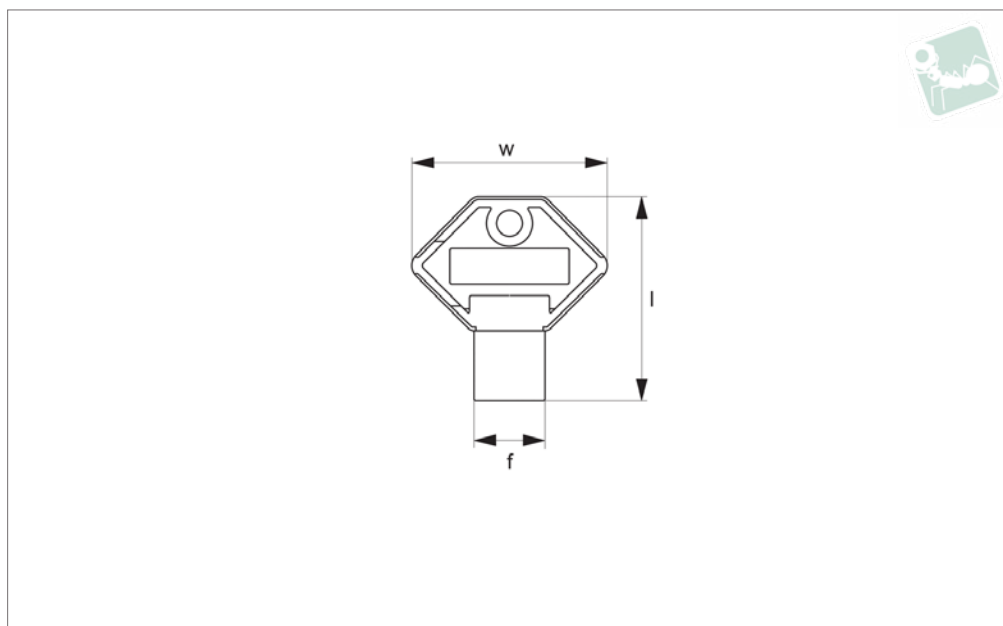
Order No.	Insert driver	Type	d ₁	l ₁	w ₁	w ₂
CC0010.M0006	Square 6	Type One	9	74.5	49	13.8
CC0010.M0010	Square 7	Type One	9	74.5	49	13.8
CC0010.M0020	Square 8	Type One	9	74.5	49	13.8
CC0010.M0040	Triangle 7	Type One	9	74.5	49	13.8
CC0010.M0050	Triangle 8	Type One	9	74.5	49	13.8
CC0010.M0055	Triangle 9	Type One	9	74.5	49	13.8
CC0010.M0060	3mm Double Bit	Type One	9	70.0	49	13.2
CC0010.M0090	8mm Hex Pin	Type One	9	74.5	49	13.8
CC0010.M0100	10mm Hex Socket	Type One	9	74.5	49	13.8
CC0010.M0306	Square 6	Type two	9	32.0	30	11.0

Available insert drivers:

Square 6	Square 7	Square 8	Triangle 7	Triangle 8	Triangle 9	3-5mm Double Bit	Hexagon 8 with pin	10mm Hex. Socket	2 x 4mm Slotted
6	7	8	6.5	8	9	∅ 3-5	8	10	



CC0013



Material

Body: plastic.

type cam latches no special key required - simply use flat head screwdriver.

Technical Notes

Keys for our range of cam latches. For slot

Important Notes

Sold subject to pack quantity.

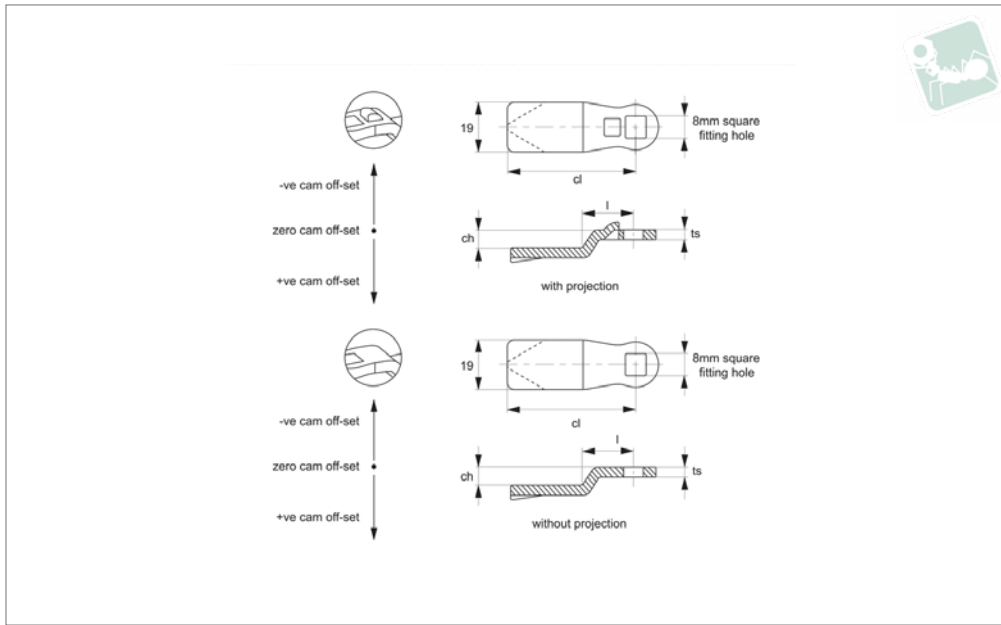
Order No.	Insert driver	f	l	w
CC0013.M0040	7mm Triangle	40	41.5	40
CC0013.M0006	6mm Square	40	41.5	40
CC0013.M0010	7mm Square	40	41.5	40
CC0013.M0020	8mm Square	40	41.5	40



Single Point Cams - Flexi-System

for cam latches and locks - steel - 8 x 8 Sq.

Latches



CC0020

LATCHES

Material

Steel, zinc plated.

Technical Notes

Use formula to calculate ch (required cam off-set), and select from product table below;

$ch = h - lh$ where;

ch = required cam off-set/height.

h = grip length (distance between inside of latch face and front of cam).

lh = body length of cam latch/lock to be used (see individual latch/lock product table).

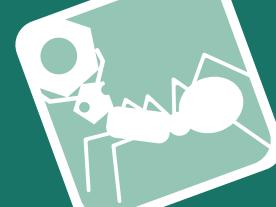
Refer to installation drawing below.

Important Notes

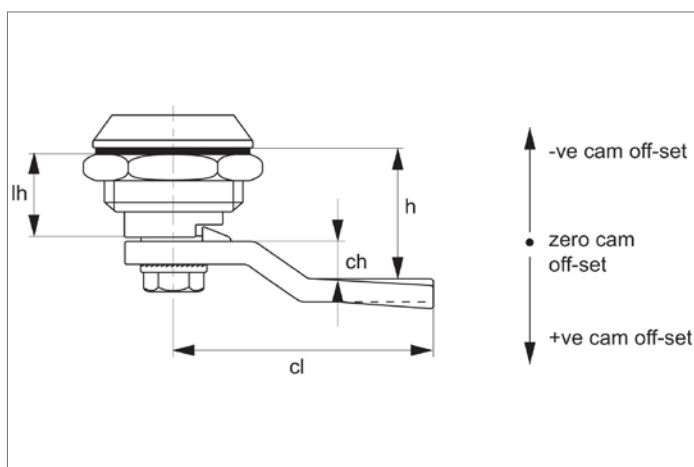
Suitable for Flexi-System latches. „With projection“ type ensures correct location and prevents cam rotating over 45°. **See cam selection chart for specific latch/lock suitability.**

Sold subject to pack quantity.

Order No.	Type	ch	cl	ts	Where lh = 18	Where lh = 18,5	Where lh = 20	Where lh = 24	Where lh = 30	Where lh = 40	Where lh = 50	Where lh = 60
CC0020.M0400	With Projection	0	45	3	18.0	18.5	20.0	24	30	40	50	60
CC0020.M0402	With Projection	2	45	3	20.5	22.0	26.0	32	42	52	62	52
CC0020.M0403	With Projection	3	45	3	21.0	21.5	23.0	27	33	43	53	63
CC0020.M0404	With Projection	4	45	3	22.0	22.5	24.0	28	34	44	54	64
CC0020.M0406	With Projection	6	45	3	24.0	24.5	26.0	30	36	46	56	66
CC0020.M0407	With Projection	7	45	3	25.0	25.5	27.0	31	37	47	57	67
CC0020.M0408	With Projection	8	45	3	26.0	26.5	28.0	32	38	48	58	68
CC0020.M0410	With Projection	10	45	3	28.0	28.5	30.0	34	40	50	60	70
CC0020.M0412	With Projection	12	45	3	30.0	30.5	32.0	36	42	52	62	72
CC0020.M0414	With Projection	14	45	3	32.0	32.5	34.0	38	44	54	64	74
CC0020.M0416	With Projection	16	45	3	34.0	34.5	36.0	40	46	56	66	76
CC0020.M0418	With Projection	18	45	3	36.0	36.5	38.0	42	48	58	68	78
CC0020.M0420	With Projection	20	45	3	38.0	38.5	40.0	44	50	60	70	80
CC0020.M1402	With Projection	-2	45	3	16.0	16.5	18.0	22	28	38	48	58
CC0020.M5300	W/o Projection	0	35	4	18.0	18.5	20.0	24	30	40	50	60



Order No.	Type	ch	cl	ts	Where lh = 18	Where lh = 18,5	Where lh = 20	Where lh = 24	Where lh = 30	Where lh = 40	Where lh = 50	Where lh = 60
CC0020.M5302	W/o Projection	2	35	4	20.0	20.5	22.0	26	32	42	52	62
CC0020.M5304	W/o Projection	4	35	4	22.0	22.5	24.0	28	34	44	54	64
CC0020.M5306	W/o Projection	6	35	4	24.0	24.5	26.0	30	36	46	56	66
CC0020.M5310	W/o Projection	10	35	4	28.0	28.5	30.0	34	40	50	60	70
CC0020.M5400	W/o Projection	0	45	3	18.0	18.5	20.0	24	30	40	50	60
CC0020.M5402	W/o Projection	2	45	3	20.0	20.5	22.0	26	32	42	52	62
CC0020.M5404	W/o Projection	4	45	3	22.0	22.5	24.0	28	34	44	54	64
CC0020.M5406	W/o Projection	6	45	3	24.0	24.5	26.0	30	36	46	56	66
CC0020.M5407	W/o Projection	7	45	3	25.0	25.5	27.0	31	37	47	57	67
CC0020.M5408	W/o Projection	8	45	3	26.0	26.5	28.0	32	38	48	58	68
CC0020.M5410	W/o Projection	10	45	3	28.0	28.5	30.0	34	40	50	60	70
CC0020.M5412	W/o Projection	12	45	3	30.0	30.5	32.0	36	42	52	62	72
CC0020.M5414	W/o Projection	14	45	3	32.0	32.5	34.0	38	44	54	64	74
CC0020.M5416	W/o Projection	16	45	3	34.0	34.5	36.0	40	46	56	66	76
CC0020.M5418	W/o Projection	18	45	3	36.0	36.5	38.0	42	48	58	68	78
CC0020.M5420	W/o Projection	20	45	3	38.0	38.5	40.0	44	50	60	70	80
CC0020.M6302	W/o Projection	-2	35	4	16.0	16.5	18.0	22	28	38	48	64
CC0020.M6402	W/o Projection	-2	45	3	16.0	16.5	18.0	22	28	38	48	58
CC0020.M6404	W/o Projection	-4	45	4	14.0	14.5	16.0	20	26	36	46	56
CC0020.M6406	W/o Projection	-6	45	4	12.0	12.5	14.0	18	24	34	44	54
CC0020.M6408	W/o Projection	-8	45	4	10.5	12.0	16.0	22	32	42	52	52

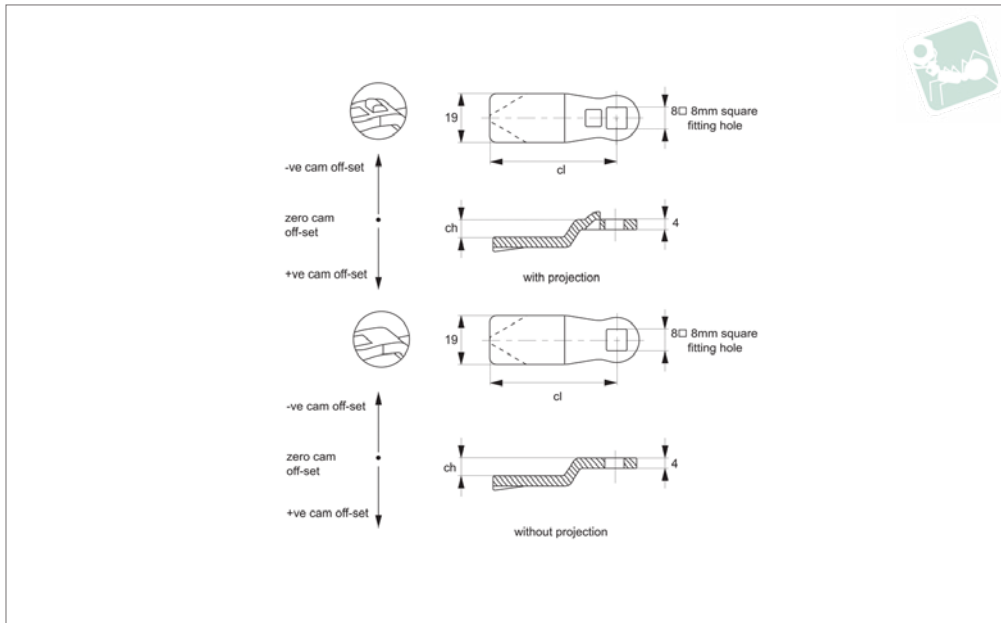




Single Point Cams - Flexi-System

for cam latches and locks - stainless steel - 8 x 8

Latches



CC0022

LATCHES

Material

Stainless steel, AISI 304.

Technical Notes

Use formula to calculate ch (required cam off-set), and select from product table below;

$ch = h - lh$ where;

ch = required cam off-set/height.

h = grip length (distance between inside of latch face and front of cam).

lh = body length of cam latch/lock to be used (see individual latch/lock product table).

Refer to installation drawing below.

Important Notes

Suitable for Flexi-System latches. „With projection“ type ensures correct location and prevents cam rotating over 45°. See **cam selection chart for specific latch/lock suitability.**

Sold subject to pack quantity.

Order No.	Type	ch	cl	Where lh = 18 h =	Where lh = 18,5 h =	Where lh = 20 h =	Where lh = 25 h =	Where lh = 30 h =	Where lh = 40 h =	Where lh = 50 h =	Where lh = 60 h =
CC0022.M0400	With Projection	0	45	18	18.5	20	25	30	40	50	60
CC0022.M0420	Without Projection	0	45	18	18.5	20	25	30	40	50	60
CC0022.M0402	With Projection	2	45	20	20.5	22	27	32	42	52	62
CC0022.M0423	Without Projection	2	45	20	20.5	22	27	32	42	52	62
CC0022.M0404	With Projection	4	45	22	22.5	24	29	34	44	54	64
CC0022.M0424	Without Projection	4	45	22	22.5	24	29	34	44	54	64
CC0022.M0406	With Projection	6	45	24	24.5	26	31	36	46	56	66
CC0022.M0426	Without Projection	6	45	24	24.5	26	31	36	46	56	66
CC0022.M0408	With Projection	8	45	26	26.5	28	33	38	48	58	68
CC0022.M0428	Without Projection	8	45	26	26.5	28	33	38	48	58	68
CC0022.M0410	With Projection	10	45	28	28.5	30	35	40	50	60	70
CC0022.M0430	Without Projection	10	45	28	28.5	30	35	40	50	60	70
CC0022.M0412	With Projection	12	45	30	30.5	32	37	42	52	62	72
CC0022.M0432	Without Projection	12	45	30	30.5	32	37	42	52	62	72
CC0022.M0434	Without Projection	14	45	32	32.5	34	39	44	54	64	74



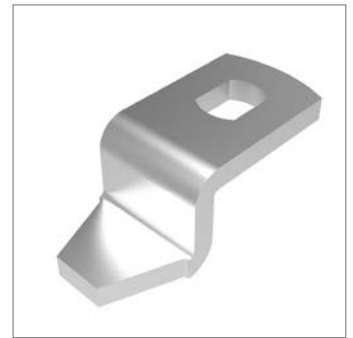
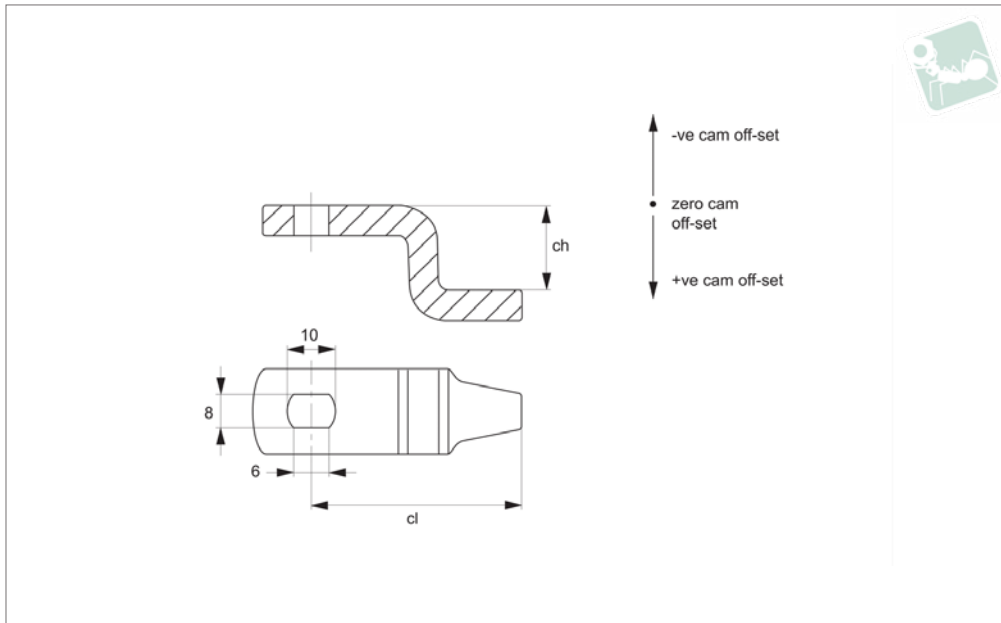
Order No.	Type	ch	cl	Where lh = 18 h =	Where lh = 18,5 h =	Where lh = 20 h =	Where lh = 25 h =	Where lh = 30 h =	Where lh = 40 h =	Where lh = 50 h =	Where lh = 60 h =
CC0022.M0436	Without Projection	16	45	34	34.5	36	41	46	56	66	76
CC0022.M0438	Without Projection	18	45	36	36.5	38	43	48	58	68	78
CC0022.M0500	With Projection	20	45	38	38.5	40	45	50	60	70	80
CC0022.M0520	Without Projection	20	45	38	38.5	40	45	50	60	70	80
CC0022.M0002	Without Projection	-2	45	16	16.5	18	23	28	38	48	58



Single Point Cams - Steel

for adjustable grip compression cam latches

Latches



CC0030

LATCHES

Material

Steel, zinc plated.

Technical Notes

Use formula to calculate ch (required cam off-set), and select from product table below;

$ch = h - lh$ where;

ch = required cam off-set/height.

h = grip length (distance between inside of

latch face and front of cam).

lh = body length of cam latch/lock to be used (see individual latch/lock product table).

Refer to installation drawing below.

Important Notes

Suitable for adjustable grip compression cam latches CC0802, CC0810, , .

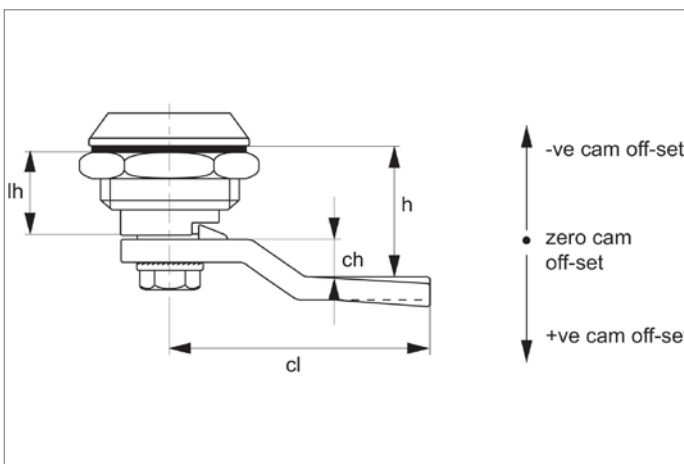
See cam selection chart for specific

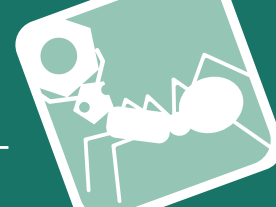
latch/lock suitability.

Installation hole is rectangular 6mmx4mm.

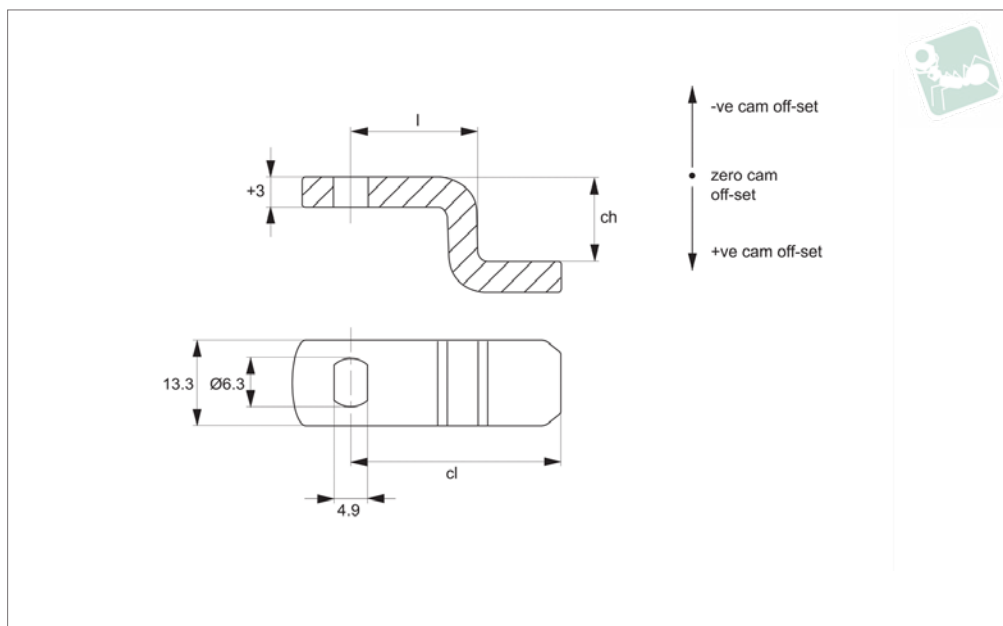
Please note due to design of the single point cam, it is not possible to use +ve offset cam in reverse/upside down as it results in a clash with the body of the cam latch- making it inoperable.

Order No.	ch	cl	Where $lh = 32$
CC0030.M0300	0	33	32
CC0030.M0314	14	33	46
CC0030.M0327	27	33	59





CC0034



Material

Steel, zinc plated.

Technical Notes

Use formula to calculate ch (required cam off-set), and select from product table below;

ch = h - lh where;

ch = required cam off-set/height.

h = grip length (distance between inside of

latch face and front of cam).

lh = body length of cam latch/lock to be used (see individual latch/lock product table).

Refer to installation drawing above.

Important Notes

Suitable for adjustable grip mini compression cam latches A1660 and A1666. **See cam selection chart for specific latch/**

lock suitability.

Sold subject to pack quantity.

Installation hole is rectangular 6mmx4mm.

Please note due to design of the single point cam, it is not possible to use +ve offset cam in reverse/upside down as it results in a clash with the body of the cam latch- making it inoperable.

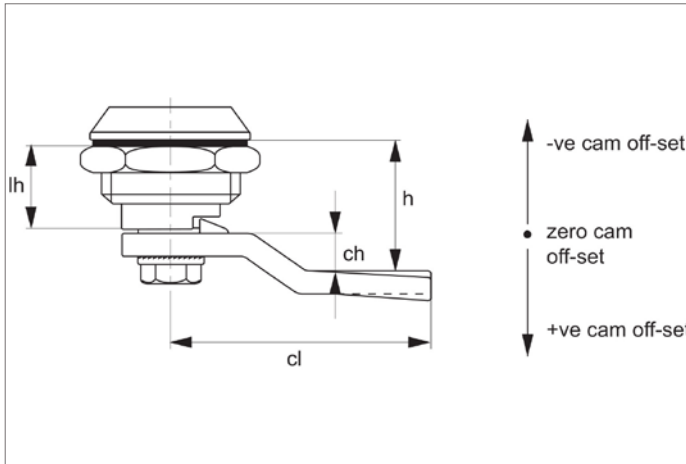
Order No.	Type	ch	cl	l	ts	Where lh = 22,5 min. h =
CC0034.M0300	+ve offset	0	23	10	2.8	22.5
CC0034.M0301	+ve offset	1	23	10	2.8	23.5
CC0034.M0303	+ve offset	4	23	10	2.8	26.5
CC0034.M0307	+ve offset	7	23	10	2.8	29.5
CC0034.M0310	+ve offset	10	23	10	2.8	32.5
CC0034.M0313	+ve offset	13	23	10	2.8	35.5
CC0034.M0316	+ve offset	16	23	10	2.8	38.5
CC0034.M0320	+ve offset	20	23	10	2.8	42.5
CC0034.M0323	+ve offset	23	23	10	2.8	45.5



Single Point Cams - Steel

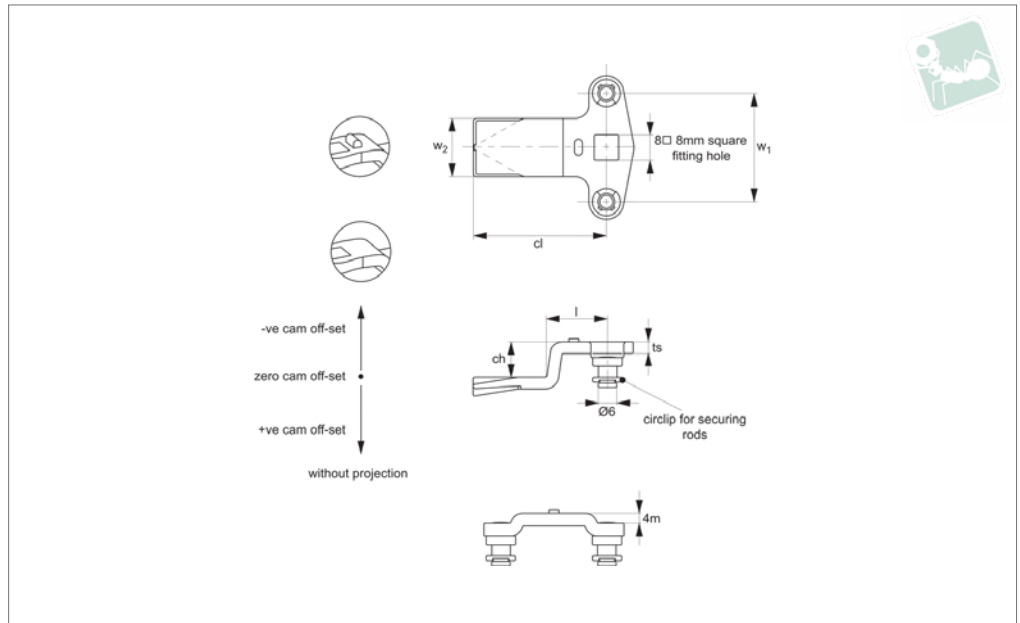
for adjustable grip mini compression cam latches -

Latches





CC0040



Material

Steel, zinc plated.
Size: 8 x 8 Sq.

Technical Notes

Use formula to calculate **ch** (required cam off-set), and select from product table below;

ch = h - lh where;

ch = required cam off-set/height.

h = grip length (distance between inside of latch face and front of cam).

lh = body length of cam latch/lock to be used (see individual latch/lock product table).

Important Notes

Suitable for Flexi-System latches. „With projection“ type ensures correct location and prevents cam rotating over 45°. **See cam selection chart for specific latch/lock suitability.**

Sold subject to pack quantity.

Order No.	Type	ch	cl	l	ts	w ₁	w ₂
CC0040.M0000	With Projection	0	45	20	4	36	20
CC0040.M0004	With Projection	4	45	20	4	36	20
CC0040.M0008	With Projection	8	45	20	4	36	20
CC0040.M0010	With Projection	10	45	20	4	36	20
CC0040.M0012	With Projection	12	45	20	4	36	20
CC0040.M0014	With Projection	14	45	20	4	36	20
CC0040.M0016	With Projection	16	45	20	4	36	20
CC0040.M0020	With Projection	20	45	20	4	36	20
CC0040.M0022	With Projection	22	45	20	4	36	20
CC0040.M0100	W/o Projection	0	45	20	4	36	20
CC0040.M0104	W/o Projection	4	45	20	4	36	20
CC0040.M0108	W/o Projection	8	45	20	4	36	20
CC0040.M0110	W/o Projection	10	45	20	4	36	20
CC0040.M0120	W/o Projection	12	45	20	4	36	20
CC0040.M0140	W/o Projection	14	45	20	4	36	20
CC0040.M0160	W/o Projection	16	45	20	4	36	20
CC0040.M0200	W/o Projection	20	45	20	4	36	20
CC0040.M0220	W/o Projection	22	45	20	4	36	20

Order No.	Where lh = 18	Where lh = 18,5	Where lh = 20	Where lh = 25	Where lh = 30	Where lh = 40	Where lh = 50	Where lh = 60
	h =	h =	h =	h =	h =	h =	h =	h =
CC0040.M0000	18	18.5	20	25	30	40	50	60
CC0040.M0004	22	22.5	24	29	34	44	54	64
CC0040.M0008	26	26.5	28	33	38	48	58	68
CC0040.M0010	28	28.5	30	35	40	50	60	70
CC0040.M0012	30	30.5	32	37	42	52	62	72
CC0040.M0014	32	32.5	34	39	44	54	64	74
CC0040.M0016	34	34.5	36	41	46	56	66	76
CC0040.M0020	38	38.5	40	45	50	60	70	80
CC0040.M0022	40	40.5	42	47	52	62	72	82



Two Point Cams - Flexi-System

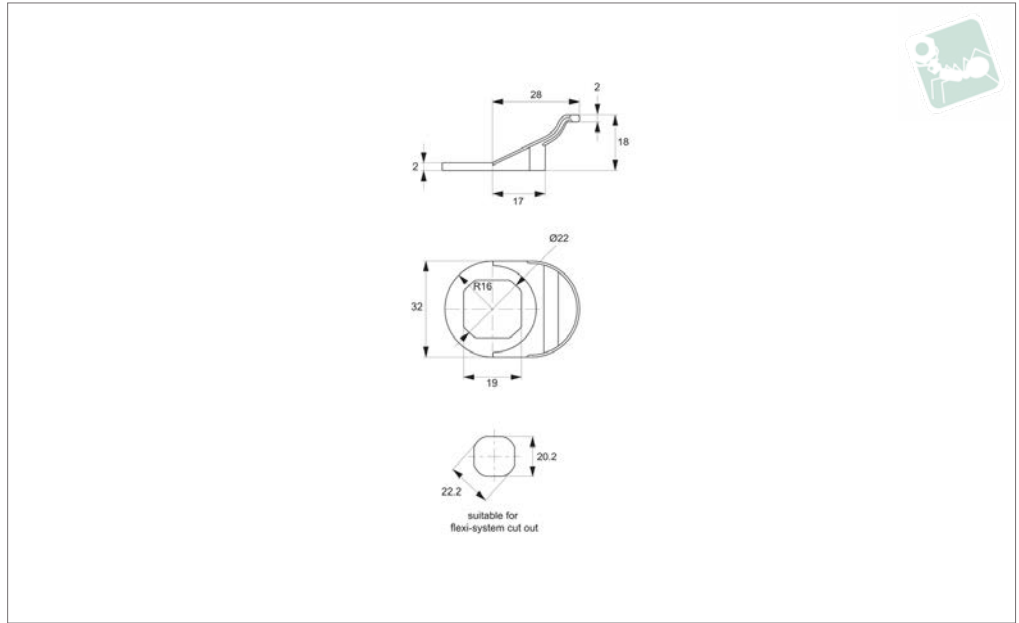
for 3-point latching of cam latches and locks - zinc

Latches

Order No.	Where lh = 18	Where lh = 18,5	Where lh = 20	Where lh = 25	Where lh = 30	Where lh = 40	Where lh = 50	Where lh = 60
	h =	h =	h =	h =	h =	h =	h =	h =
CC0040.M0100	18	18.5	20	25	30	40	50	60
CC0040.M0104	22	22.5	24	29	34	44	54	64
CC0040.M0108	26	26.5	28	33	38	48	58	68
CC0040.M0110	28	28.5	30	35	40	50	60	70
CC0040.M0120	30	30.5	32	37	42	52	62	72
CC0040.M0140	32	32.5	34	39	44	54	64	74
CC0040.M0160	34	34.5	36	41	46	56	66	76
CC0040.M0200	38	38.5	40	45	50	60	70	80
CC0040.M0220	40	40.5	42	47	52	62	72	82



CC0300



Material

Body: polyamide DIN-EN ISO 1043-1 PA 6 GFR 30, black.

Technical Notes

Suitable for all Flexi-System latches with cut-out of 22,2 dia. / 20,2 square. Please

order cam latch/lock separately, see parts A1002 to A1252.

Tips

Note when finger pull used the cam latch useful body length ,lh' is reduced by 2mm. This is important in relation to

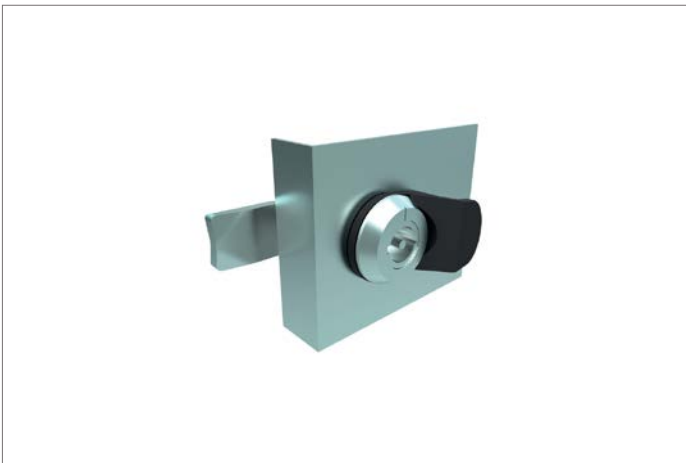
selection of suitable cam.

Important Notes

Sold subject to pack quantity.

Order No.
CC0300.M0028

To suit flexi-system fastener
22,2 Dia Installation Cut Out

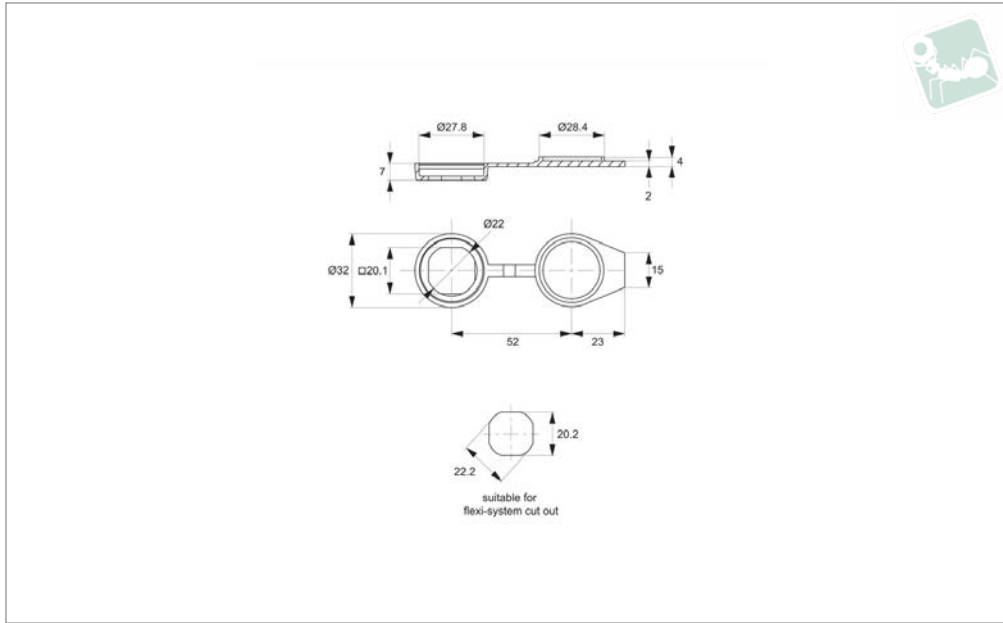




Dust Cap

for flexi-system cam latches and locks

Latches



CC0305

LATCHES

Material

Body: polyamide, black.

Technical Notes

Fits all Flexi-System cam latches & locks, and other fasteners with a standard instal-

lation cut out of 22,2 dia / 20,2 square.

Tips

Note when dust cap used the cam latch useful body length ,lh' is reduced by 2mm. This is important in relation to selection of

suitable cam.

Important Notes

Sold subject to pack quantity.

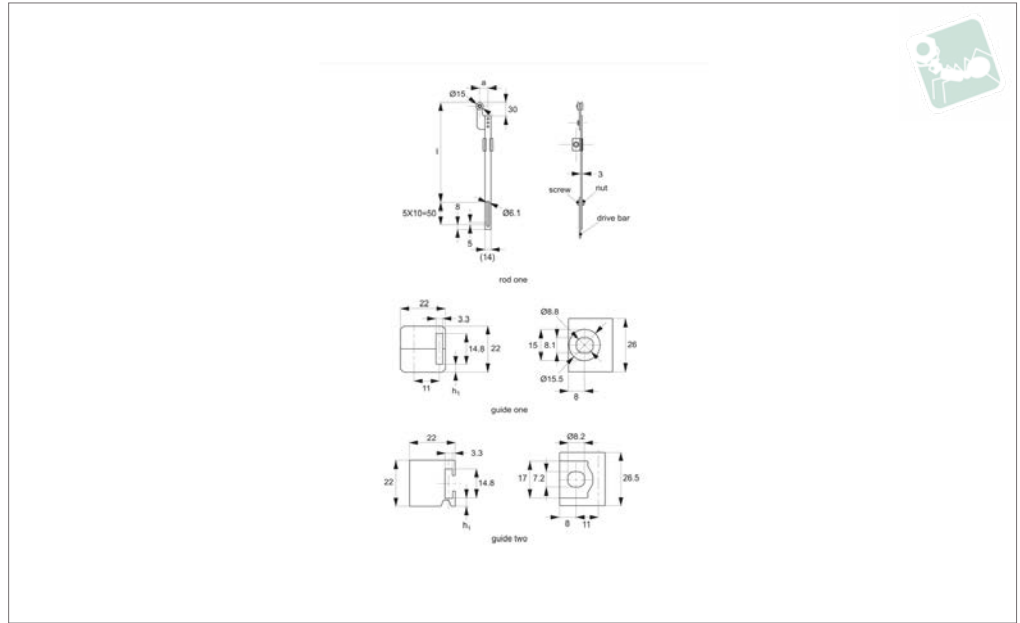
Order No.
CC0305.M0010

Type
Polyamide





CC0350



Material

Rod: steel, zinc plated. With nylon or PA6 rollers.
 Rod guides One and Two: polyamide, PA6.

Technical Notes

For use with cam latches & locks, making a

full 3-point latching system. Distance between base of rod and inside of door depends upon height of rod guide selected, see dimension h_1 .

Rod guides: fixed via counter sunk screw or weld-on stud.

Cams: see two point cams CC0040 to achieve 3-point locking.

Important Notes

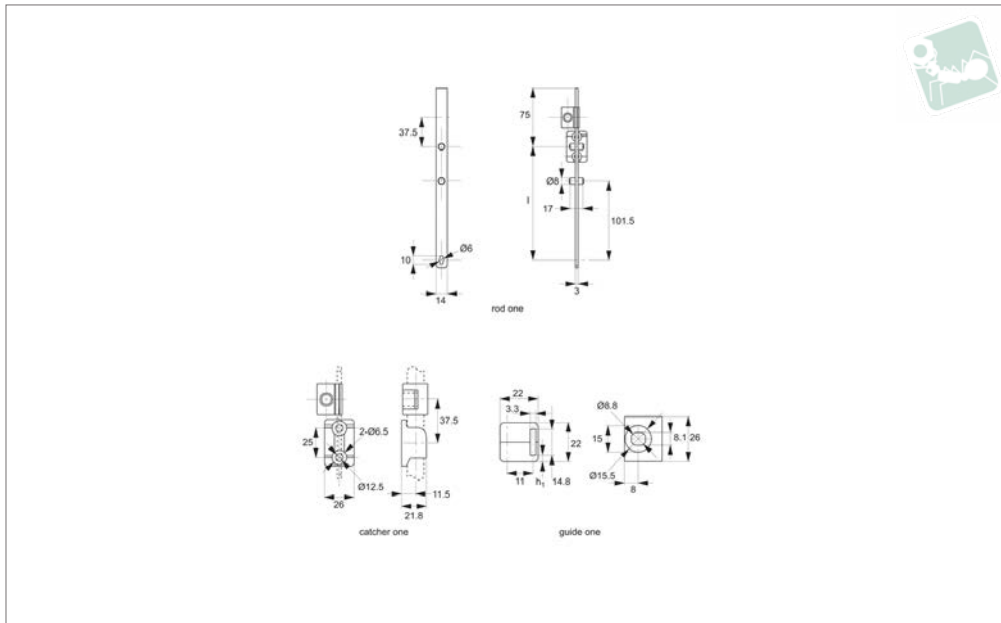
Please order rods and guides separately.

Order No.	Type	Length	a	h_1	Weld screw
CC0350.M1127	Rod One	1000	27.5	-	-
CC0350.M0800	Guide One	-	-	3.6	M 6x16
CC0350.M0820	Guide Two	-	-	3.6	M 6x16



Multi-Point Latching Set

flat rod with locking pins - for cam latches and



CC0355

LATCHES

Material

Rod: steel, zinc plated.
 Rod Guides One: polyamide, PA6.
 Rod Catcher: die cast zinc, black.

Technical Notes

For use with cam latches & locks, making a

full 3-point latching system. Distance between base of rod and inside of door depends upon height of rod guide selected, see dimension h_1 .

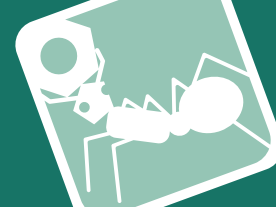
Rod guides: fixed via counter sunk screw or weld-on stud.

Cams: see two point cams CC0040 to achieve 3-point locking.

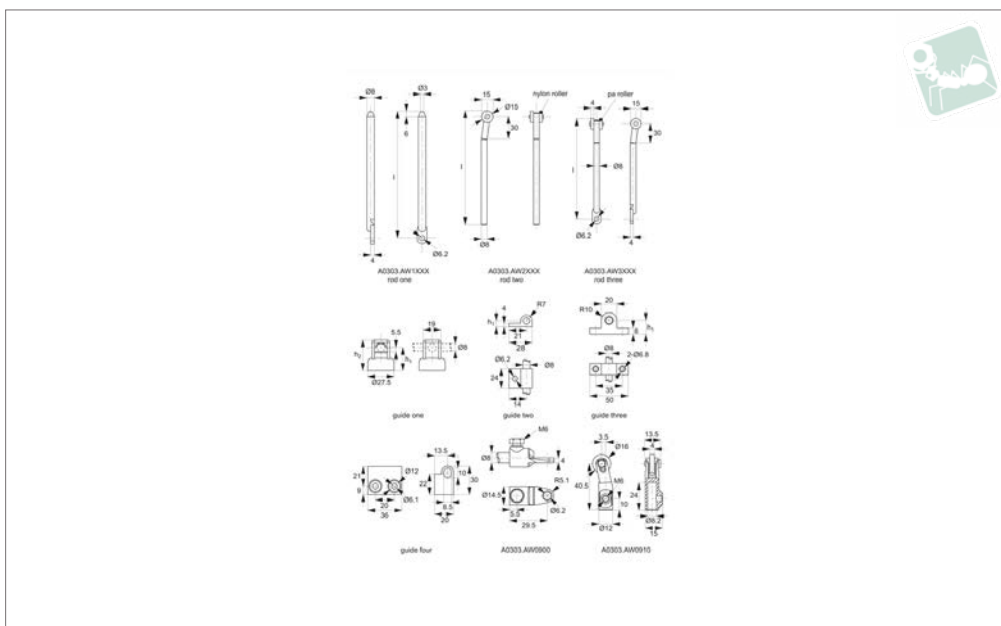
Important Notes

Please order rods, rod guides and rod catcher separately.

Order No.	Type	Length l	h_1
CC0355.M1070	Rod One	760	-
CC0355.M0900	Rod Catcher	-	-



CC0340



Material

Rod: steel, zinc plated. With Nylon or PA6 rollers.

Rod Guides One to Four: polyamide, PA6.

Rod Adaptor and Roller Adaptor: die cast zinc, zinc plated.

Technical Notes

For use with cam latches & locks, making a

full 3-point latching system.

Distance between base of rod and inside of door depends upon height of rod guide selected, see dimension h_1 .

Rod guides: fixed via counter sunk screw or weld-on stud.

Rod adaptor: fits to any length of rod. If rod of different length is required, simply

cut oversized length with a saw.

Cams: see two point cams CC0040 to achieve 3-point locking.

Important Notes

Please order rods, rod guides and rod adaptors separately.

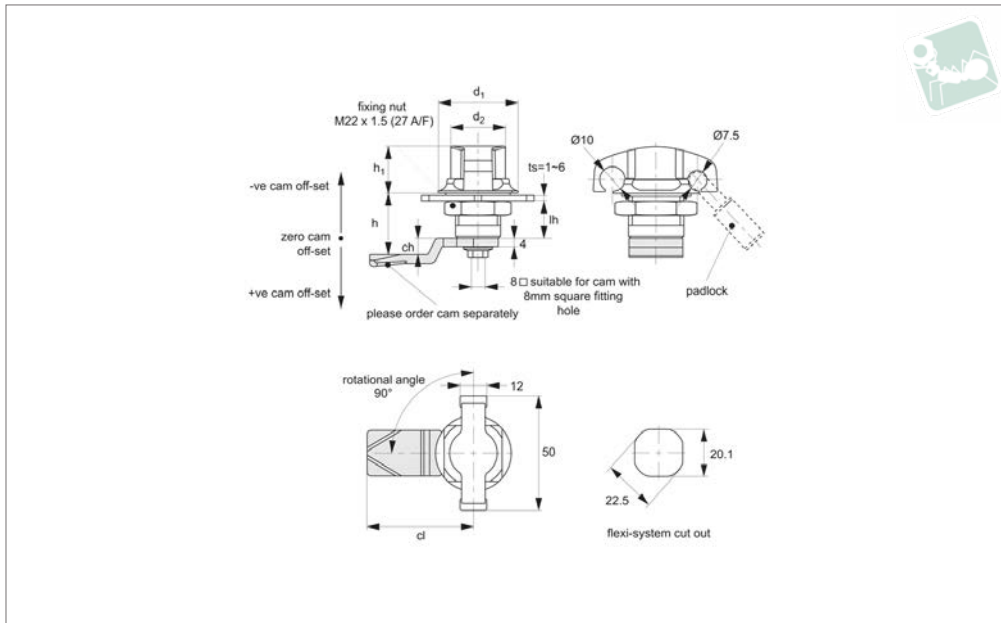
Order No.	Type	Length l	h_1	h_2	Weld screw
CC0340.M0861	Guide One	-	24	32	M 6 x 16
CC0340.M0862	Guide One	-	30	38	M 6 x 20
CC0340.M0863	Guide One	-	34	42	M 6 x 20
CC0340.M0881	Guide Two	-	7	-	-
CC0340.M0882	Guide Three	-	18	-	-
CC0340.M0883	Guide Four	-	22	-	-
CC0340.M0900	Rod Adaptor	-	-	-	-
CC0340.M1060	Rod One	600	-	-	-
CC0340.M1080	Rod One	800	-	-	-
CC0340.M1100	Rod One	1000	-	-	-
CC0340.M2060	Rod Two	600	-	-	-
CC0340.M2080	Rod Two	800	-	-	-
CC0340.M2100	Rod Two	1000	-	-	-
CC0340.M3060	Rod Three	600	-	-	-
CC0340.M3080	Rod Three	800	-	-	-
CC0340.M3100	Rod Three	1000	-	-	-



Cam Latches - Flexi-System

padlock wing handle - fixed grip - zinc

Latches



CC0430

LATCHES

Material

Body & Handle: die cast zinc, pocked black powder or chrome plated.

Not supplied: CAM - order separately.

Technical Notes

Order cam separately.

Cams: see suitable cam CC0020, and CC0040. Select „without projection“ cam type.

Dimensions ch and cl relate to cam. Use

formula to calculate ch (required cam off-set), and refer to cam selection chart;

ch = h - lh where;

ch = required cam off-set/height.

h = grip length (distance between inside of latch face and front of cam).

lh = body length of cam latch/lock to be used (see product table below).

Rods & Guides: to achieve 3-point latching - CC0340, CC0350, CC0355.

Tips

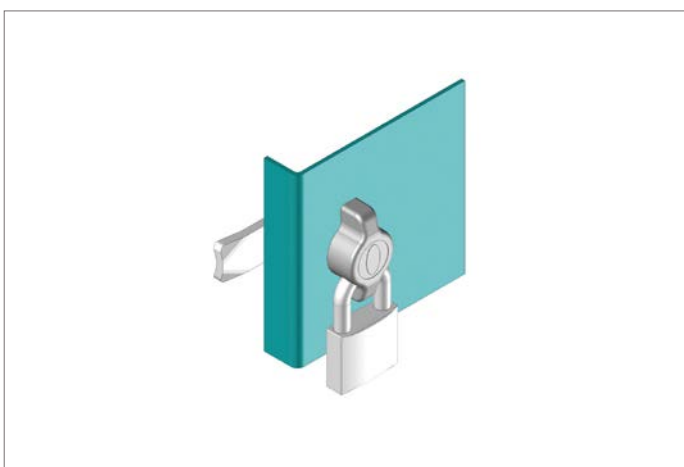
The wing knob can be locked by two sizes of padlock max. shackle dia. 7.5mm or 10mm. See technical diagram (padlock not supplied).

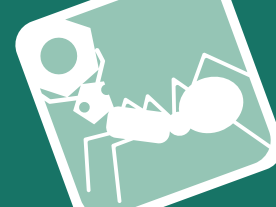
Panel thickness (ts) is 1 to 6mm max.

Important Notes

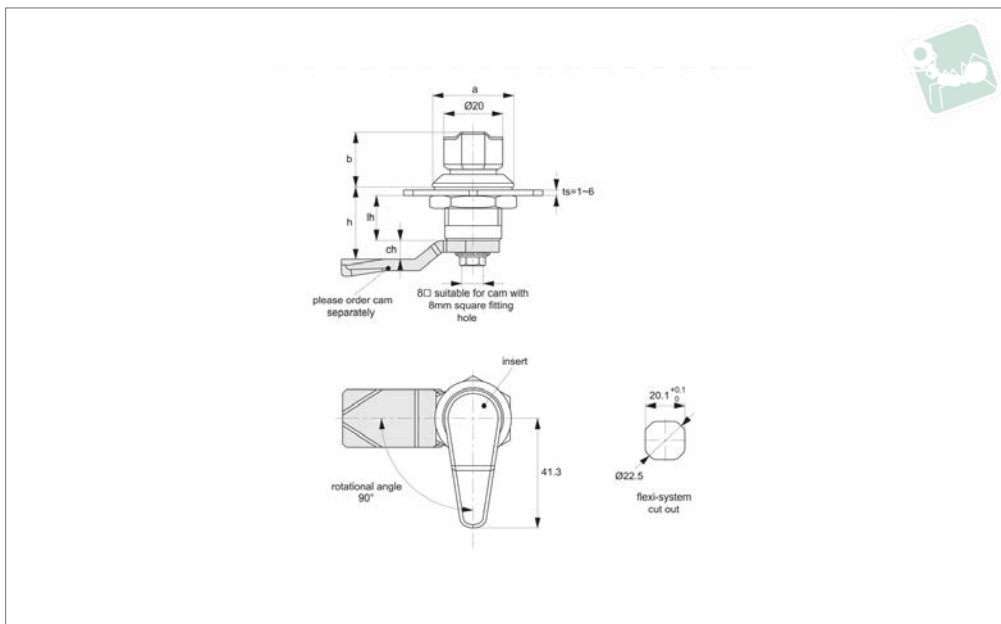
Sold subject to pack quantity.

Order No.	Type	d ₁	h ₁	d ₂	lh	Finish
CC0430.M0310	Black Coated	33	19	21	18	black coated





CC0440



Material

Type one: Body: die cast zinc, black powder coated.

Handle: polyamide, black.

Type two: Body & handle: polyamide, black.

Technical Notes

Order cam separately.

Cams: see suitable cam CC0020, and CC0040. Select „without projection“ cam

type.

Dimensions ch and cl relate to cam. Use formula to calculate ch (required cam off-set), and refer to cam selection chart;

ch = h - lh where;

ch = required cam off-set/height.

h = grip length (distance between inside of latch face and front of cam).

lh = body length of cam latch/lock to be used (see product table below).

Rods & Guides: to achieve 3-point latching - CC0340, CC0350, CC0355.

Tips

Finger knob actuates lock, and also acts as a handle.

Important Notes

Sold subject to pack quantity.

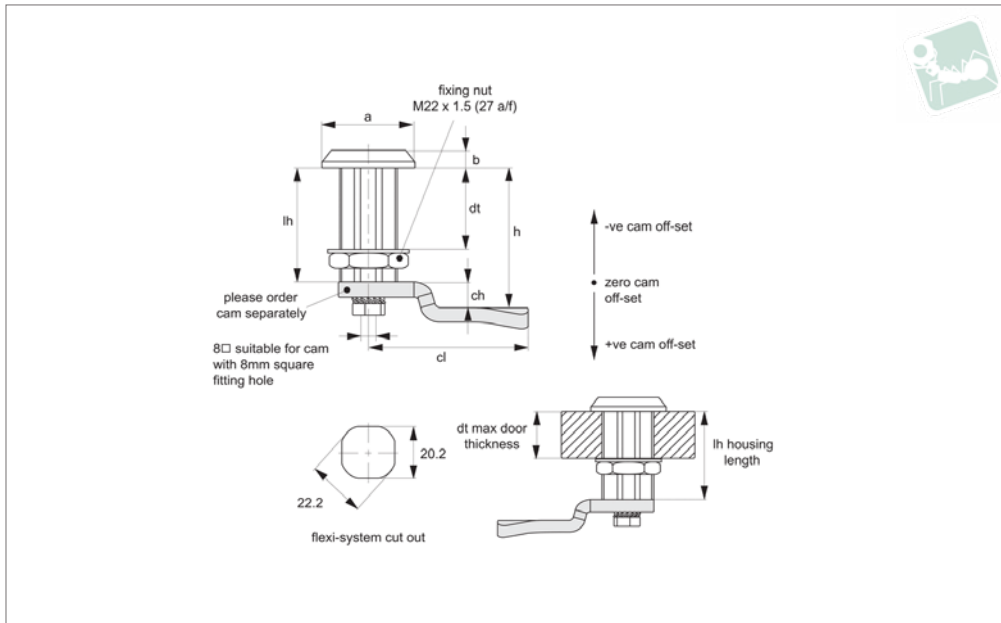
Order No.	Type	a	b	lh
CC0440.M0318	One Zinc	28	18	18
CC0440.M0328	One Zinc	28	18	28
CC0440.M0362	One Zinc	28	18	62
CC0440.M0518	Two Polyamide	28	18	18
CC0440.M0536	Two Polyamide	28	18	36



Cam Latches - Flexi-System

insert driver - extended body - zinc

Latches



CC0460

LATCHES

Material

Body & insert: die cast zinc, chrome plated.
Insert fitted with O'ring to achieve IP54 rating.

Supplied With: Nut: steel, zinc plated.
Sealing washer: PU & Rubber.

Not supplied: CAM nor KEY - order separately.

Technical Notes

Order cam and key separately.

Cams: see suitable cam CC0020, and CC0040. Select „without projection“ cam

type.

Dimensions ch and cl relate to cam. Use formula to calculate ch (required cam off-set), and refer to cam selection chart;

ch = h - lh where;

ch = required cam off-set/height.

h = grip length (distance between inside of latch face and front of cam).

lh = body length of cam latch/lock to be used (see product table below).

Keys: see CC0010.

Rods & Guides: to achieve 3-point latching

- CC0340, CC0350, CC0355.

Tips

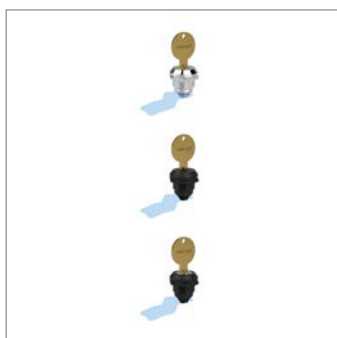
Ideal for air conditioning units, sound-proof or isolation doors, as well as wooden panels. Insert quarter-turn opening or closing.

Slotted insert driver does not require a key. Simply use a flat head screwdriver to actuate.

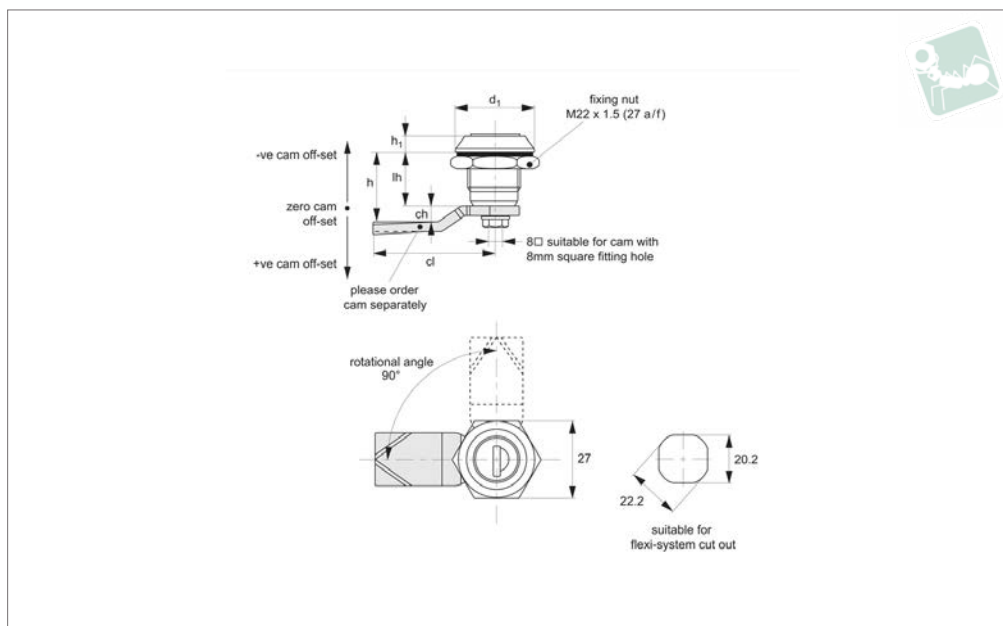
Important Notes

Sold subject to pack quantity.

Order No.	Insert driver	lh	dt	a	b
CC0460.M0011	Square 7	28	20	28	4
CC0460.M0021	Square 8	28	20	28	4
CC0460.M0041	Triangle 7	28	20	28	4
CC0460.M0051	Triangle 8	28	20	28	4
CC0460.M0061	3mm Double Bit	28	20	28	4
CC0460.M0071	4mm Double Bit	28	20	28	4
CC0460.M0081	Slotted (2x4)	28	20	28	4
CC0460.M0311	Square 7	36	30	28	4
CC0460.M0321	Square 8	36	30	28	4
CC0460.M0341	Triangle 7	36	30	28	4
CC0460.M0351	Triangle 8	36	30	28	4
CC0460.M0361	3mm Double Bit	36	30	28	4
CC0460.M0371	4mm Double Bit	36	30	28	4
CC0460.M0381	Slotted (2x4)	36	30	28	4
CC0460.M0511	Square 7	62	50	28	4
CC0460.M0521	Square 8	62	50	28	4
CC0460.M0551	Triangle 8	62	50	28	4
CC0460.M0561	3mm Double Bit	62	50	28	4
CC0460.M0571	4mm Double Bit	62	50	28	4
CC0460.M0581	Slotted (2x4)	62	50	28	4



CC2010



Material

Type one & Two: Body: die cast zinc, finished in chrome plate or black powder coating.

Cylinder lock: die cast zinc, chrome plated.

Type Three: Body: polyamide.

Cylinder lock: die cast zinc, chrome plated.

Supplied with: Keys: two per lock.

Not supplied: CAM - order separately.

Technical Notes

Order cam separately.

Cams: see suitable cam CC0020, and CC0040. Select „without projection“ cam type.

Dimensions ch and cl relate to cam. Use formula to calculate ch (required cam off-set), and refer to cam selection chart;

ch = h - lh where;

ch = required cam off-set/height.

h = grip length (distance between inside of latch face and front of cam).

lh = body length of cam latch/lock to be

used (see product table below).

Rods & Guides: to achieve 3-point latching - CC0340, CC0350, CC0355.

Tips

Quarter turn opening or closing.

Universal left and right application.

Important Notes

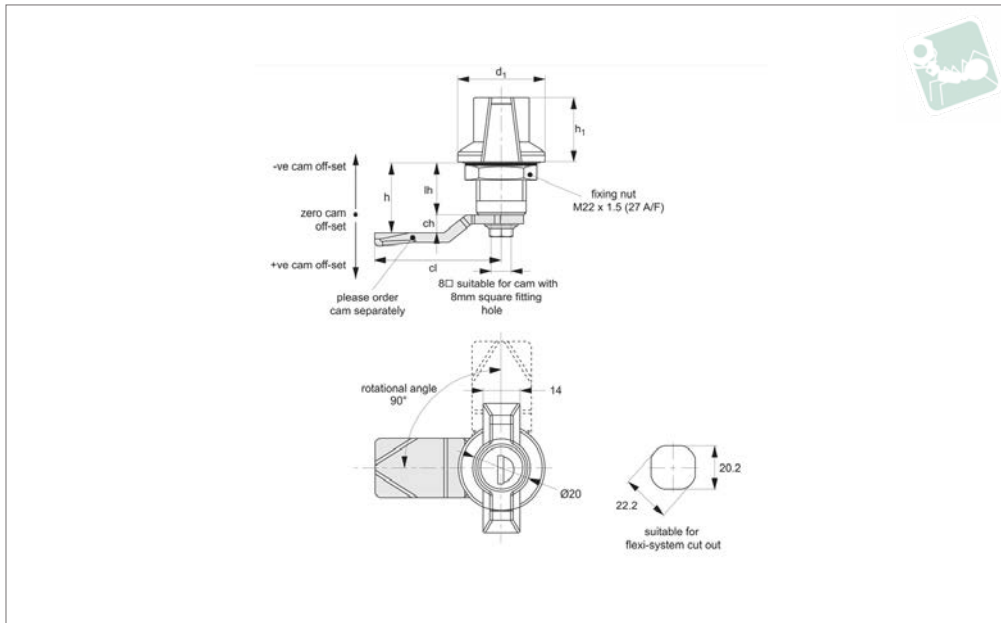
Sold subject to pack quantity.

Order No.	Type	Body finish	Key type	d ₁	h ₁	lh
CC2010.M0010	One	Chrome Plated	Keyed Alike	28.0	6	20
CC2010.M0310	Two	Black Coated	Keyed Alike	28.0	6	18
CC2010.M0320	Two	Black Coated	Keyed to Differ	28.0	6	18
CC2010.M0330	Two	Black Coated	Euro	30.0	6	18
CC2010.M0510	Three	Plastic, Black	Keyed Alike	28.0	6	18
CC2010.M0520	Three	Plastic, Black	Keyed to Differ	28.0	6	18



Cam Locks - Wing Handle

flexi-system - fixed grip - zinc



CC2020

LOCKS

Material

Body & insert: die cast zinc, finished in chrome plate or black powder coating. Fitted with O'ring to provide IP54 rating. Cylinder lock: die cast zinc, chrome plated. With dust cap to prevent material ingress.

Supplied with: Keys: two per lock.

Not supplied: CAM - order separately.

Technical Notes

Order cam separately.

Cams: see suitable cam CC0020, and

CC0040. Select „without projection“ cam type.

Dimensions ch and cl relate to cam. Use formula to calculate ch (required cam off-set), and refer to cam selection chart;

$ch = h - lh$ where;

ch = required cam off-set/height.

h = grip length (distance between inside of latch face and front of cam).

lh = body length of cam latch/lock to be used (see product table below).

Rods & Guides: to achieve 3-point latching - CC0340, CC0350, CC0355.

Tips

Quarter turn opening or closing.

Wings act as actuation handle.

Universal left and right.

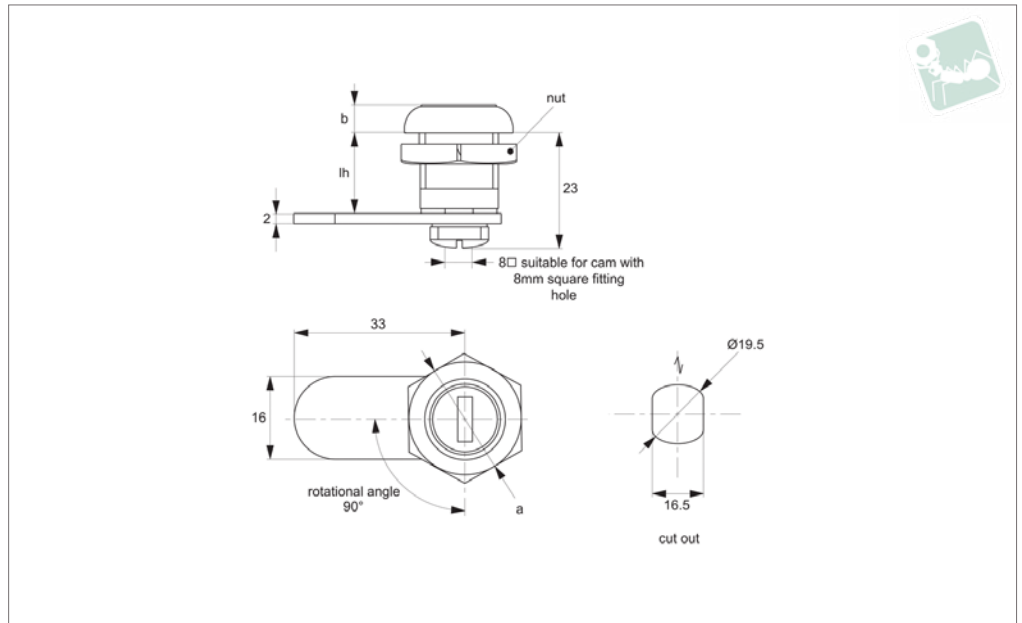
Important Notes

Sold subject to pack quantity.

Order No.	Body finish	Key type	d_1	h_1	lh
CC2020.M0010	Chrome	Keyed Alike	30.5	23.6	18
CC2020.M0020	Chrome	Keyed to Differ	30.5	23.6	18
CC2020.M0310	Black Coated	Keyed Alike	30.5	23.6	18
CC2020.M0320	Black Coated	Keyed to Differ	30.5	23.6	18



CC2050



Material

Body & insert: die cast zinc, bright chrome plated.

Fixed grip: zinc.

Supplied with: Nuts, Cam and Keys: two per lock.

Tips

Ideal for use in metal cabinets, drawers

and machinery covers etc.

Due to compact size of cam and lock body there is no need to remove cam during installation.

Keyed to differ model has a max. 100 key combinations.

Type Three - 90° key rotation, key non-removable when in unlocked position.

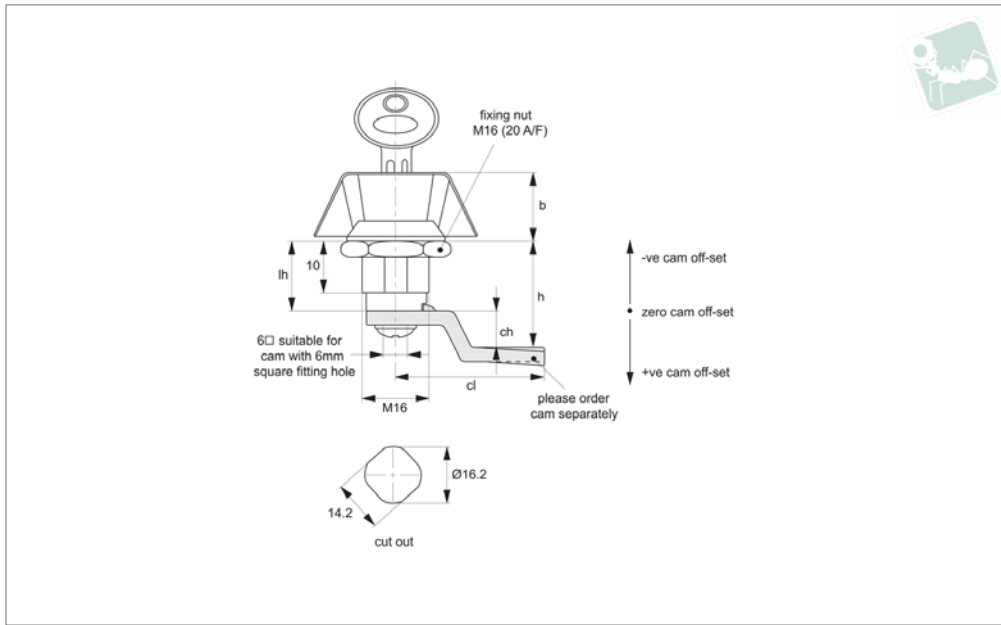
Quarter-turn opening. Locks have dust cover.

Order No.	a	b	lh
CC2050.M0010	22.0	5.5	15.5



Mini Cam Locks

wing handle - fixed grip - zinc



CC2060

LOCKS

Material

Black painted ZDC housing and handle, white zinc plated cam.

Supplied with: Keys: two per lock. Nut - steel, zinc plated.

Not supplied: CAM - order separately.

Technical Notes

Order cam separately.

Cams: see suitable cam CC0050. Select „with projection“ cam type to prevent cam rotating over 45°.

Dimensions **ch** and **cl** relate to cam. Use formula to calculate **ch** (required cam off-set), and refer to cam selection chart;

ch = h - lh where;

ch = required cam off-set/height.

h = grip length (distance between inside of latch face and front of cam).

lh = body length of cam latch/lock to be used (see product table below).

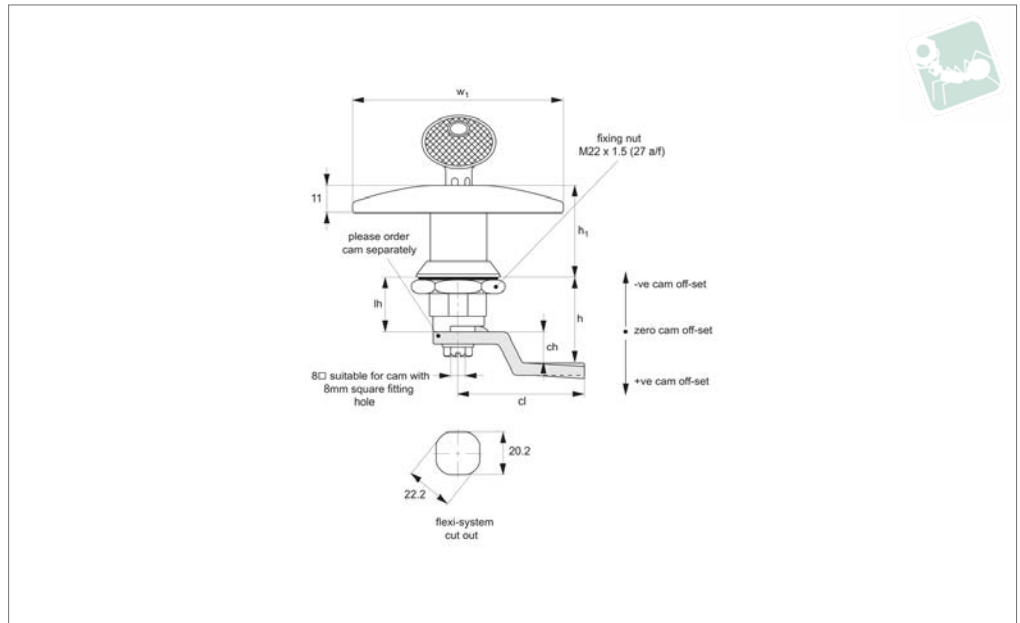
Important Notes

Sold subject to pack quantity.

Order No.	Key type	Type	Body finish	b	lh
CC2060.M0010	Keyed Alike	Type One	Chrome Plated	14.5	13.0
CC2060.M0020	Keyed Alike	Type Two	Black Coated	14.5	13.0



CC2200



Material

Type one & two: Body: die cast zinc. Finished in chrome plate or black powder coating.
Cylinder lock: die cast zinc, chrome plated. IP65/NEMA 4 rated.
Supplied with: Nut: steel, zinc plated. Sealing washer: PU & Rubber.
Keys: two per lock.

Not supplied: Cam: order separately.

Technical Notes

Order cam separately.
Cams: see suitable cam CC0020, and CC0040. Select „with projection“ cam type to prevent cam rotating over 45°. Dimensions ch and cl relate to cam. Use formula to calculate ch (required cam off-

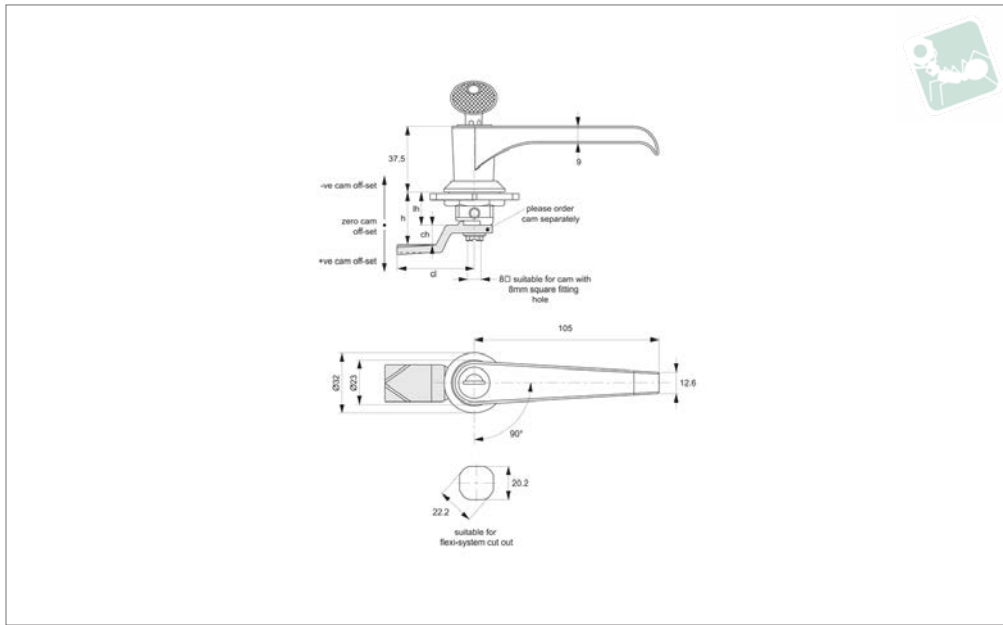
set), and refer to cam selection chart;
ch = h - lh where;
ch = required cam off-set/height.
h = grip length (distance between inside of latch face and front of cam).
lh = body length of cam latch/lock to be used (see product table below).
Rods & Guides: to achieve 3-point latching - CC0340, CC0350, CC0355.

Order No.	Body finish	Key type	w ₁	h ₁	lh
CC2200.M0110	Chrome Plated	Keyed Alike	78	37	18
CC2200.M0120	Chrome Plated	Keyed to Differ	78	37	18
CC2200.M0310	Black Coated	Keyed Alike	78	37	18
CC2200.M0320	Black Coated	Keyed to Differ	78	37	18



Cam Lock - Flexi System

L-handle - fixed grip



CC2210

LOCKS

Material

Body: die cast zinc, finished in chrome plate or black powder coating.
 Cylinder lock: die cast zinc, chrome plated.
Supplied With: Nut: steel, zinc plated.
 Keys: two per lock.
Not Supplied: Cam: order separately.

Technical Notes

Order cam separately.

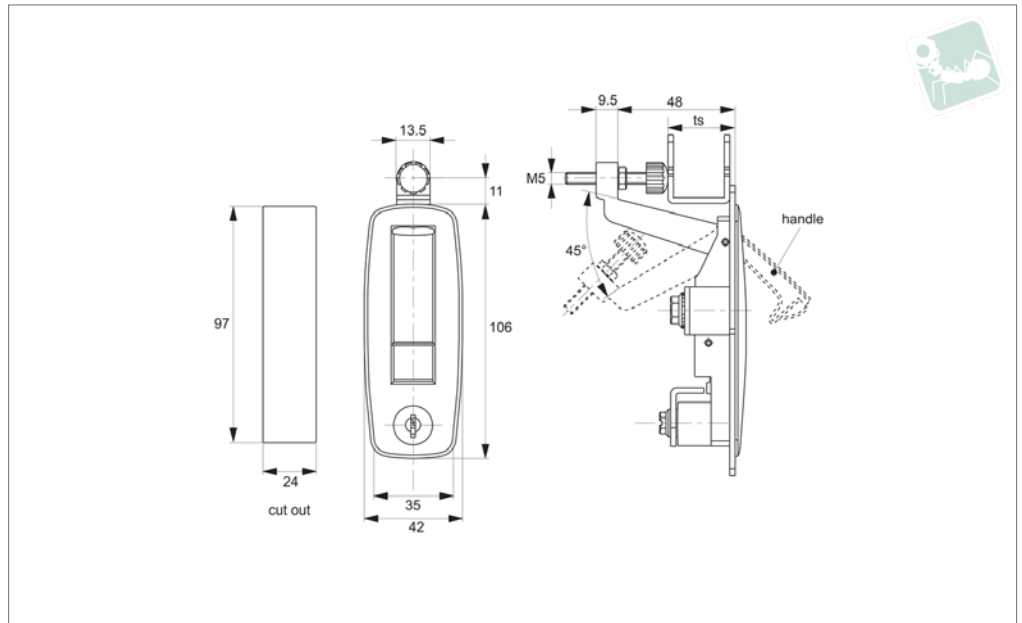
Cams: see suitable cam CC0020, and CC0040. Select „with projection“ cam type to prevent cam rotating over 45°. Dimensions ch and cl relate to cam. Use formula to calculate ch (required cam off-set), and refer to cam selection chart;
 $ch = h - lh$ where;
 ch = required cam off-set/height.
 h = grip length (distance between inside of

latch face and front of cam).
lh = body length of cam latch/lock to be used (see product table below).
Rods & Guides: to achieve 3-point latching - CC0340, CC0350, CC0355.
Tips
 Disc tumbler cylinder locks with stainless dust cap, to prevent material ingress.
 Universal left and right.

Order No.	Body finish	Key type	d ₁	lh
CC2210.M0110	Chrome Plated	Keyed Alike	32	18
CC2210.M0120	Chrome Plated	Keyed to Differ	32	18
CC2210.M0310	Black Coated	Keyed Alike	32	18
CC2210.M0320	Black Coated	Keyed to Differ	32	18



CC1210



Material

Body and handle and button: die cast zinc, black power coated.

Cylinder lock: die cast zinc.

Screw: steel, white zinc plated.

Supplied with: KEY.

Technical Notes

Grip length can be adjusted via M5 clamping screw to suit your application.

Suitable for panel thickness 20-35mm. For installation cut out see diagram.

Tips

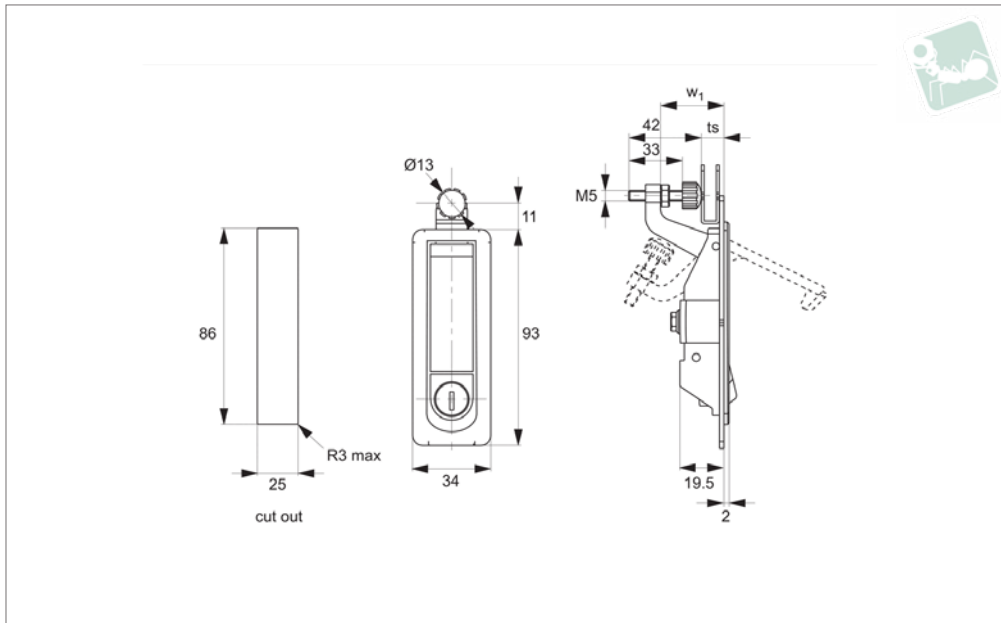
Quick-open, easy assembling, by adjusting screw meets the needs of distance control.

Order No.	Finish	Lock type	ts grip adj.
CC1210.M0310	Black Coated	Std. Cylinder	20-35



Compression Locks

lever latch - adjustable grip - raised trigger - zinc



CC1215

LOCKS

Material

Body and handle and button: die cast zinc, black power coated.
Cylinder lock: die cast zinc.

Screw: steel, white zinc plated.

Supplied with: KEY.

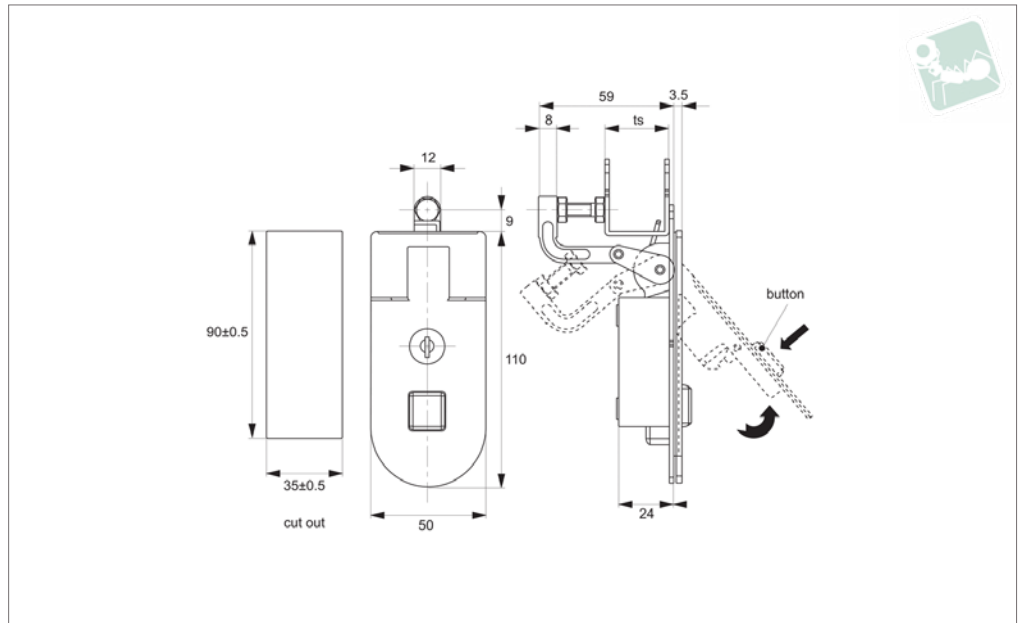
Technical Notes

Grip length can be adjusted via screw between 1 and 20mm. Suitable for panel thickness 1-20mm.

Order No.	Finish	Lock type	ts grip adj.	w ₁
CC1215.M0710	Black Coated	Std. Cylinder with Keyed Alike	1-20	29
CC1215.M0720	Black Coated	Blank - No Lock	1-20	29
CC1215.M0910	Black Coated	Std. Cylinder with Keyed Alike	17-40	50
CC1215.M0920	Black Coated	Blank - No Lock	17-40	50



CC1220



Material

Body and handle: die cast zinc, black power coated.
Cylinder lock: die cast zinc.
Screw: steel, white zinc plated.

Supplied with: KEY.

Technical Notes

Grip adjustment 31-48mm.

Tips

Quick-open, easy assembling. Grip length can be adjusted via clamping screw to suit your application.

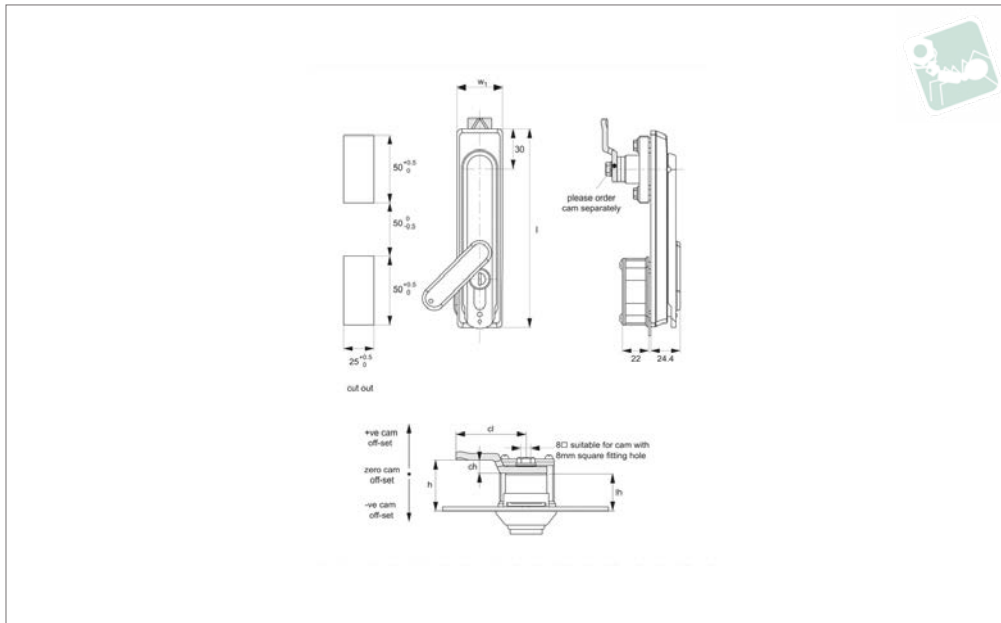
Order No.	Finish	Lock type	ts grip adj.
CC1220.M0310	Black Coated	Std. Cylinder	31-48



Swing Handles - Cam Control

40mm euro cylinder lock - dust cover

Swing Handles



PL0100

SWING HANDLES

Material

Type One: Body & Handle: die cast zinc, black powder coated.

Type Two: Body: Polyamide PA6, black. Handle: die cast zinc, black powder coated. Cylinder lock: die cast zinc, chrome plated.

Supplied with: Keys: two per lock.

Not supplied: Cam: order separately.

Technical Notes

Order cam separately.

Cams: see suitable cam CC0020, and

CC0040. Select „without projection“ cam type.

Dimensions ch and cl relate to cam. Use formula to calculate ch (required cam off-set), and refer to cam selection chart;

ch = h - lh where;

ch = required cam off-set/height.

h = grip length (distance between inside of latch face and front of cam).

lh = body length of cam latch/lock to be used (see product table below).

Rods & Guides: to achieve 3-point latching - CC0340, CC0350, CC0355.

Tips

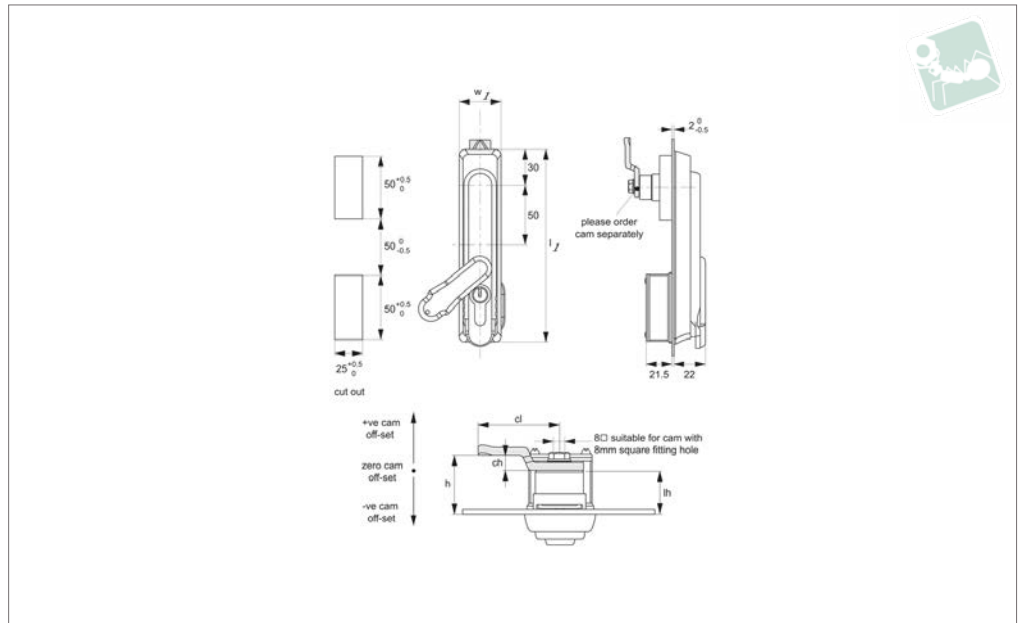
90° degree handle rotation combines with rod latch to open or close. All die cast metal construction provides higher strength than standard models. Ideal for electrical cabinets, telecom racks or enclosures max. panel thickness of 1 to 4mm. For use inside of cabinet gasket. Universal left/right.

Order No.	Type	Body	Lock type	Handle	Padlockable	Key type	l ₁	w ₁	lh
PL0100.M0010	One	Zinc	40 Euro	Zinc	No	Keyed Alike	160	34	19
PL0100.M0020	One	Zinc	40 Euro	Zinc	Yes	Keyed Alike	160	34	19
PL0100.M0310	Two	Polyamide	40 Euro	Zinc	No	Keyed Alike	160	34	19
PL0100.M0320	Two	Polyamide	40 Euro	Zinc	Yes	Keyed Alike	160	34	19





PL0110



Material

Body & Handle: polyamide, PA6, black.
Cylinder lock: die cast zinc, chrome plated.

Supplied with: Keys: two per lock.

Not supplied: Cam: order separately.

Supplied with: Keys: two per lock.

Not supplied: Cam: order separately.

Technical Notes

Order cam separately.

Cams: see suitable cam CC0020, and

CC0040. Select „without projection“ cam type.

Dimensions ch and cl relate to cam. Use formula to calculate ch (required cam off-set), and refer to cam selection chart;

ch = h - lh where;

ch = required cam off-set/height.

h = grip length (distance between inside of latch face and front of cam).

lh = body length of cam latch/lock to be

used (see product table below).

Rods & Guides: to achieve 3-point latching - CC0340, CC0350, CC0355.

Tips

Also available with radial pin lock, subject to min. order quantity.

Ideal for electrical cabinets, telecom racks or enclosures max. panel thickness of 2mm. For use inside of cabinet gasket. Universal left/right.

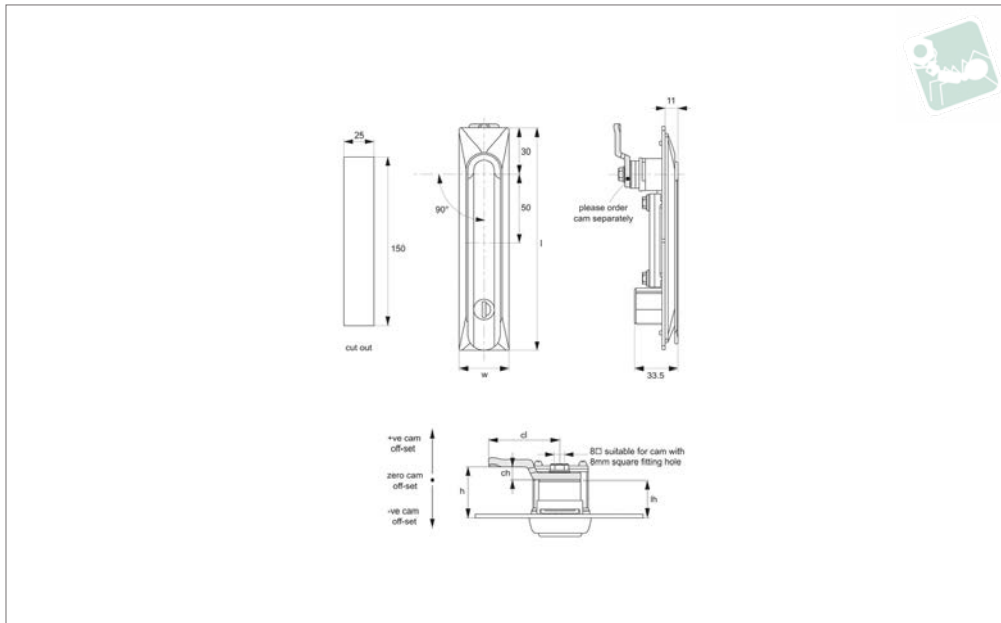
Order No.	Finish	Lock type	Key type	l ₁	w ₁	lh
PL0110.M0020	Black, Plastic	40 Euro	Keyed Alike	160	35	16



Swing Handles - Cam Control

standard cylinder lock - zinc

Swing Handles



PL0120

SWING HANDLES

Material

Body & Handle: die cast zinc, pocked black power coated.

Polyurethane gasket: to achieve IP65 rating.

Cylinder lock: die cast zinc, chrome plated.

Supplied with: Keys: two per lock.

Not supplied: Cam: order separately.

Technical Notes

Order cam separately.

Cams: see suitable cam CC0020, and CC0040. Select „without projection“ cam type.

Dimensions ch and cl relate to cam. Use formula to calculate ch (required cam off-set), and refer to cam selection chart;

ch = h - lh where;

ch = required cam off-set/height.

h = grip length (distance between inside of latch face and front of cam).

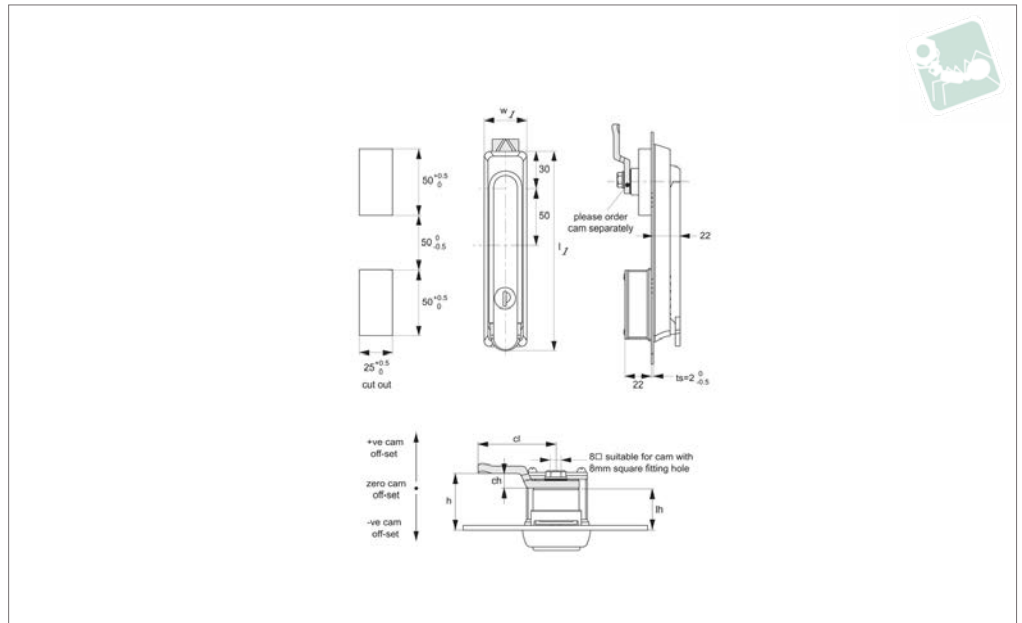
lh = body length of cam latch/lock to be used (see product table below).

Rods & Guides: to achieve 3-point latching - CC0340, CC0350, CC0355.

Order No.	Finish	Lock type	Key type	l	w	lh
PL0120.M0010	Black Coated	Std. Cylinder	Keyed Alike	160	36	20



PL0210



Material

Body & Handle: polyamide PA6, black.
 Cylinder lock: die cast zinc, chrome plated.
Supplied with: Keys: two per lock.
Not supplied: Cam: order separately.

Technical Notes

Order cam separately.
Cams: see suitable cam CC0020, and CC0040. Select „without projection“ cam

type.

Dimensions ch and cl relate to cam. Use formula to calculate ch (required cam off-set), and refer to cam selection chart;
ch = h - lh where;
ch = required cam off-set/height.
h = grip length (distance between inside of latch face and front of cam).
lh = body length of cam latch/lock to be

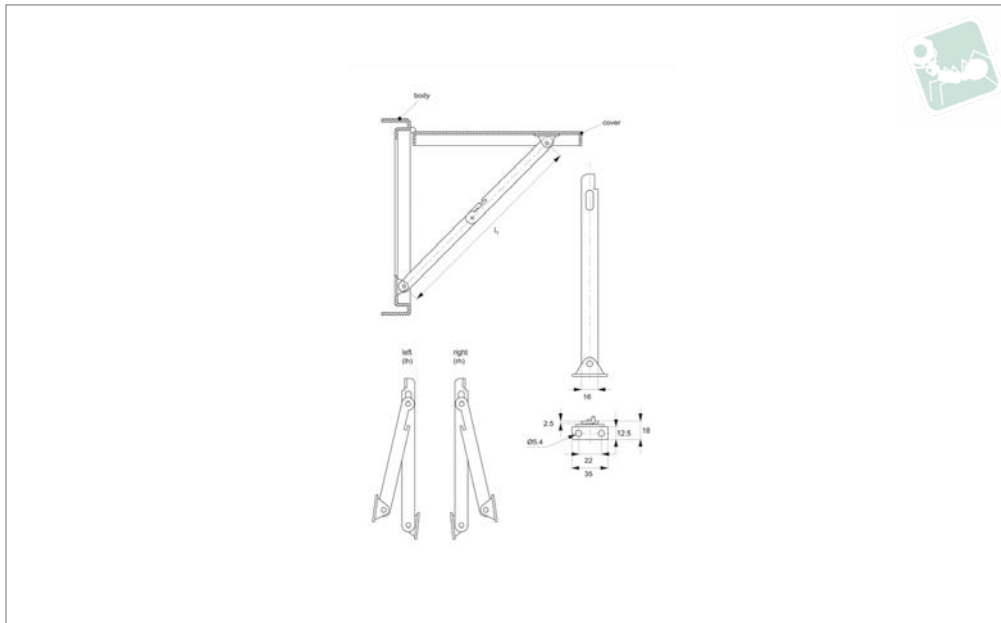
used (see product table below).

Rods & Guides: to achieve 3-point latching - CC0340, CC0350, CC0355.

Tips

For use in electrical cabinets, telecom racks or enclosures. Max. panel thickness of 2mm. For use inside of cabinet gasket. Universal left/right.

Order No.	Finish	Lock type	Key type	l ₁	w ₁	lh
PL0210.M0010	Black, Plastic	Std. Cylinder	Keyed Alike	160	35	16



ST0010

STAYS & HINGES

Material

Steel, zinc plated.

table. Ideal for screw or weld-on mounting.

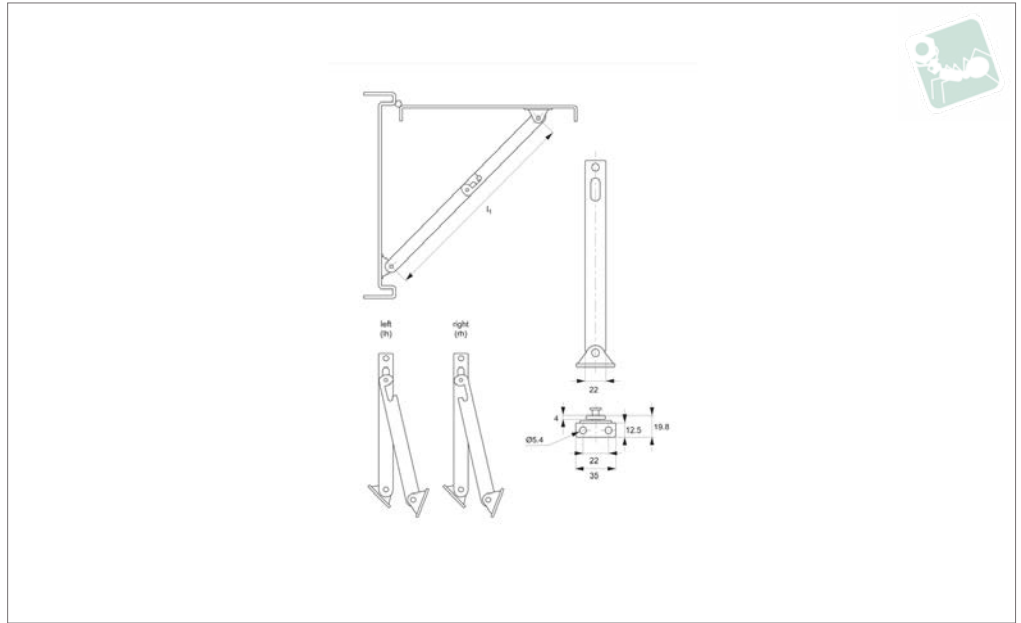
Technical Notes

Left or right hand specific, please refer to

Order No.	Hand	l ₁
ST0010.M0008	Right	202
ST0010.M0006	Right	135
ST0010.M0010	Right	292
ST0010.M0106	Left	135
ST0010.M0108	Left	202
ST0010.M0110	Left	292



ST0012



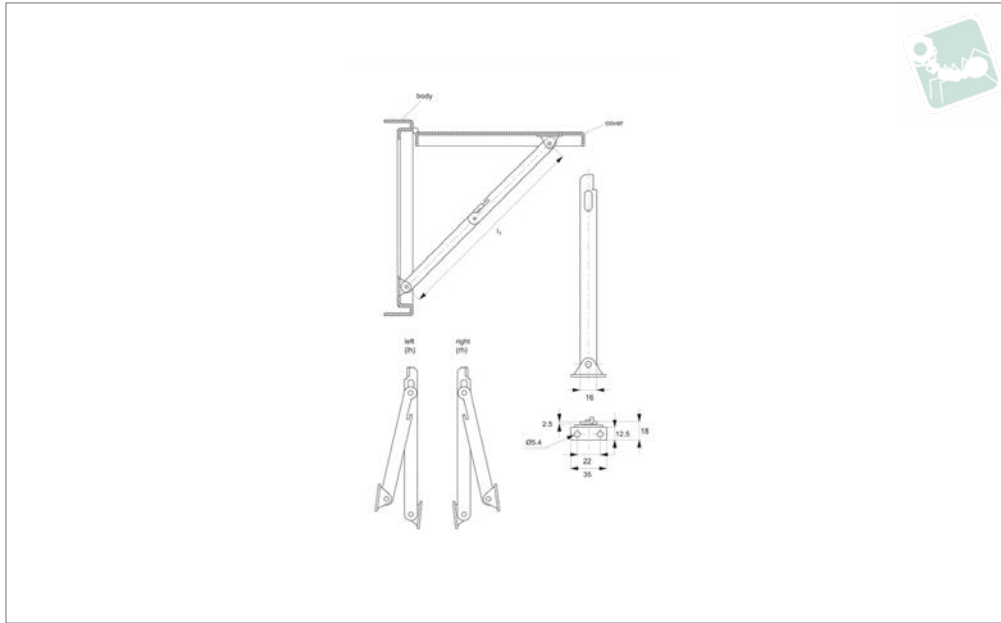
Material

Steel, zinc plated.

Technical Notes

Right or left handed, please refer to table.
Ideal for screw or weld-on mounting.

Order No.	Hand	l_1
ST0012.M0006	Right	135
ST0012.M0106	Left	135
ST0012.M0008	Right	202
ST0012.M0108	Left	202
ST0012.M0010	Right	292
ST0012.M0110	Left	292



ST0014

STAYS & HINGES

Material

Stainless steel, AISI 304.

Technical Notes

Right or left handed, please refer to table.
Ideal for screw or weld-on mounting.

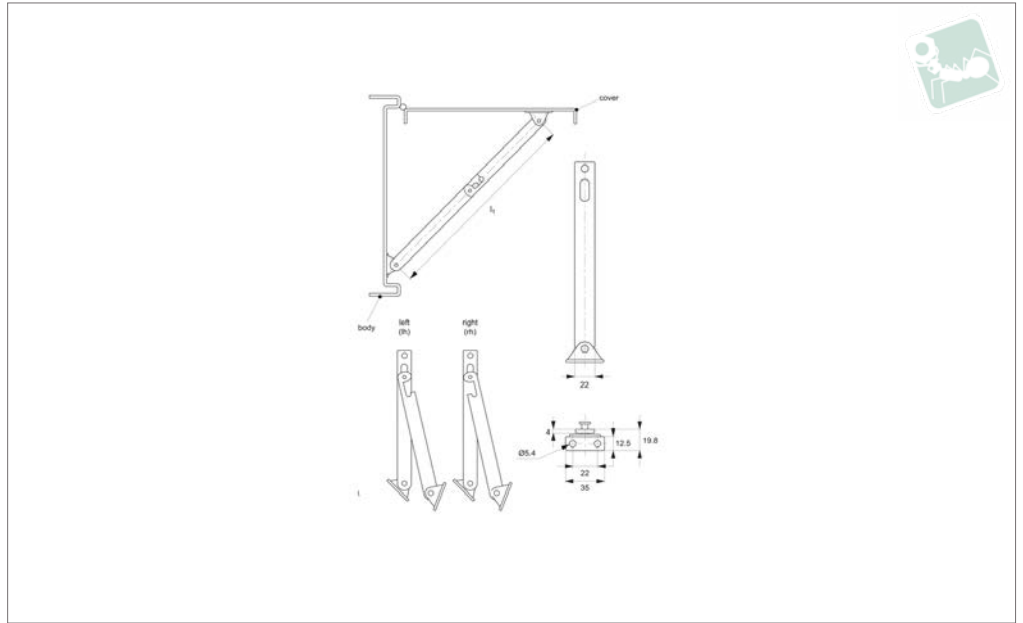
Order No.	Hand	l ₁
ST0014.M0006	Right	135
ST0014.M0008	Right	202
ST0014.M0010	Right	292
ST0014.M0108	Left	202
ST0014.M0106	Left	135
ST0014.M0110	Left	292



STAYS & HINGES



ST0016



Material

Stainless steel, AISI 304.

Technical Notes

Right or left handed, please refer to table.
Ideal for screw or weld-on mounting.

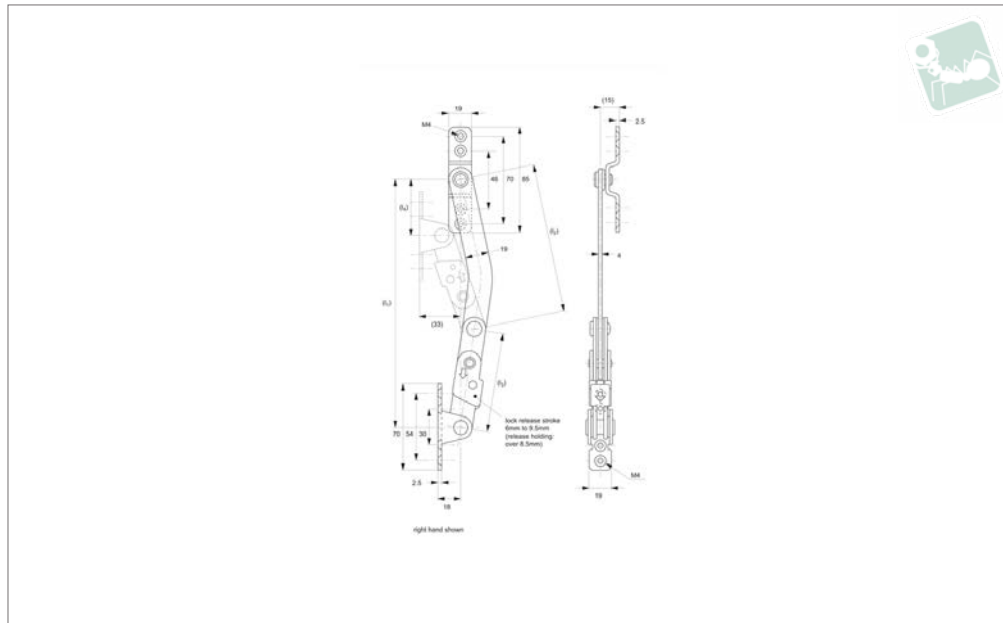
Order No.	Hand	l ₁
ST0016.M0006	Right	135
ST0016.M0008	Right	202
ST0016.M0010	Right	292
ST0016.M0106	Left	135
ST0016.M0108	Left	202
ST0016.M0110	Left	292



Door Stays

stainless steel - 100° opening

Stays & Hinges



ST0500

STAYS & HINGES

Material

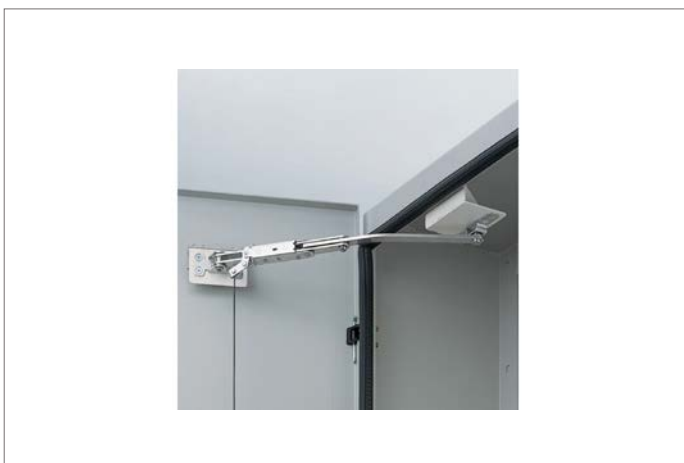
Stainless steel, AISI 304, polished.

Technical Notes

Mechanically locks door at fully open posi-

tion. Slide the locking lever to release stay. Lever will remain in unlocked position until the door is returned to fully open position.

Order No.	Type	l ₁	a	b	c	d	l ₂	l ₃	l ₄	Weight g
ST0500.M0110	Left	200	121	200	93	36	121	80	45	290
ST0500.M0010	Right	200	121	200	93	36	121	80	45	290
ST0500.M0120	Left	280	161	280	145	40	161	120	44	340
ST0500.M0020	Right	280	161	280	145	40	161	120	44	340

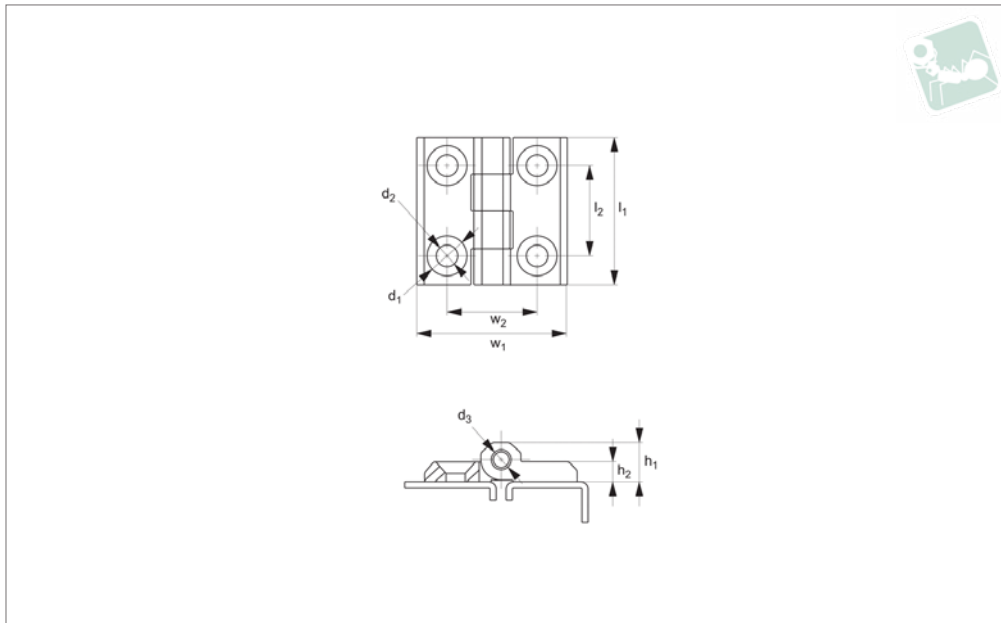




Surface Mount - Leaf Hinges

screw mount - zinc

Stays & Hinges



HH0010

STAYS & HINGES

Material

Black Coated

Body: die cast zinc, black powder coated.
Pin: steel, nickel plated.

Chrome

Body: die cast zinc, chrome plated.
Pin: steel, nickel plated.

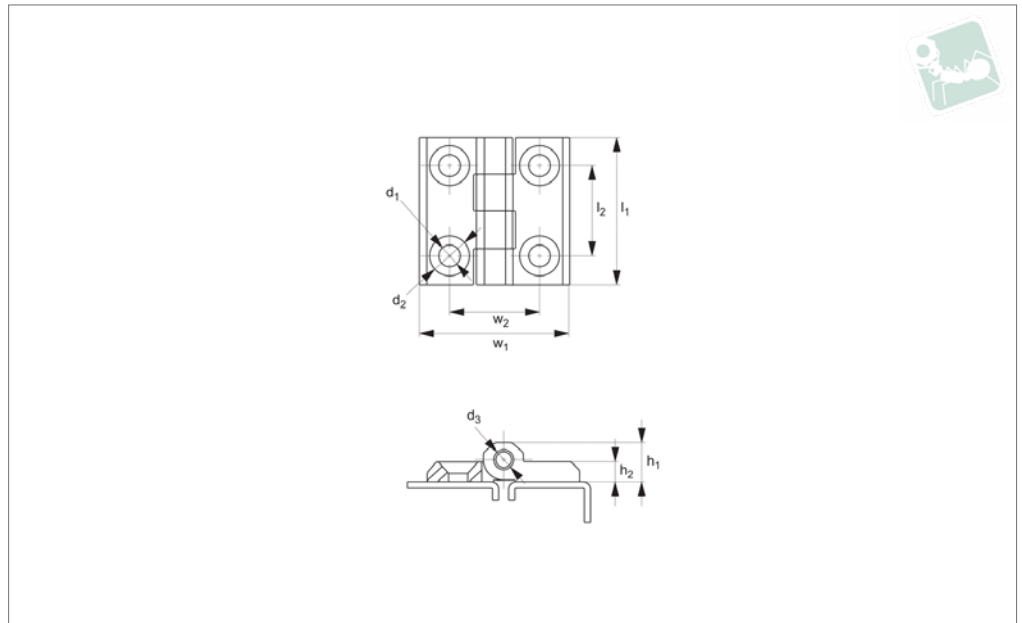
Technical Notes

For plain/flush mounted doors, as well as electrical panels and covers. Opening angle 180°.

Order No.	Finish	Size	h_1	h_2	l_1	l_2	w_1	w_2	d_1	d_2	90° Angled stress kN	Axial load F_x N max.	Axial stress kN	Radial load F_x N max.	Radial stress kN
HH0010.M0040	Black Coated	40 x 40	9,0	5,0	40	25	40	25	10,2	5,3	2,00	1,2	1,45	1,0	2,1
HH0010.M0050	Black Coated	50 x 50	11,5	6,0	50	30	50	30	12,5	6,3	2,45	1,3	2,10	1,2	3,5
HH0010.M0060	Black Coated	60 x 60	15,0	8,0	60	36	60	36	16,5	8,4	4,40	1,8	3,20	1,5	6,0
HH0010.M0057	Black Coated	50 x 76	11,5	6,0	50	30	76	56	12,5	6,3	1,25	1,2	1,30	1,1	3,0
HH0010.M0612	Black Coated	60x120	15,0	8,0	60	36	120	88	12,5	6,8	1,50	1,2	1,30	1,1	4,5



HH0012



Material

Body: polyamide.
Pin: steel, nickel plated.

Technical Notes

For plain/flush mounted doors, as well as electrical panels and covers. Opening

angle 180°.

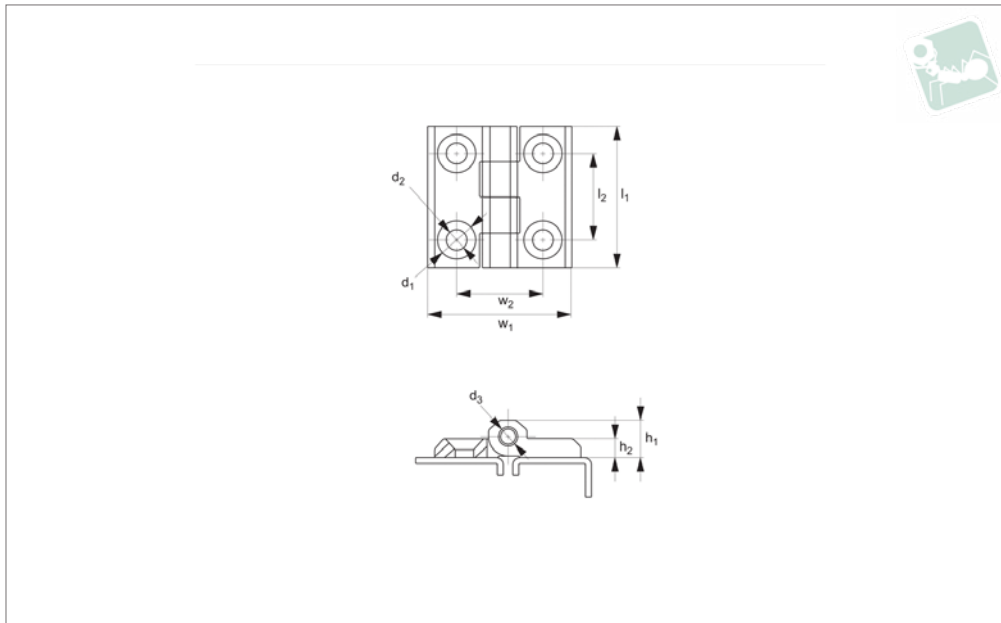
Order No.	Size	h_1	h_2	l_2	w_1	w_2	F_x kN	F_y kN	d_1	d_2	d_3
HH0012.M0040	40 x 40	9.8	5	25	40	25	-	-	10.5	5.3	6
HH0012.M0050	50 x 50	11.5	5	30	50	30	1.2	1.3	12.5	6.3	6



Surface Mount - Leaf Hinges

screw mount - stainless steel

Stays & Hinges



HH0020

STAYS & HINGES

Material

Stainless steel, AISI 304.

electrical panels and covers.

Opening angle 180°.

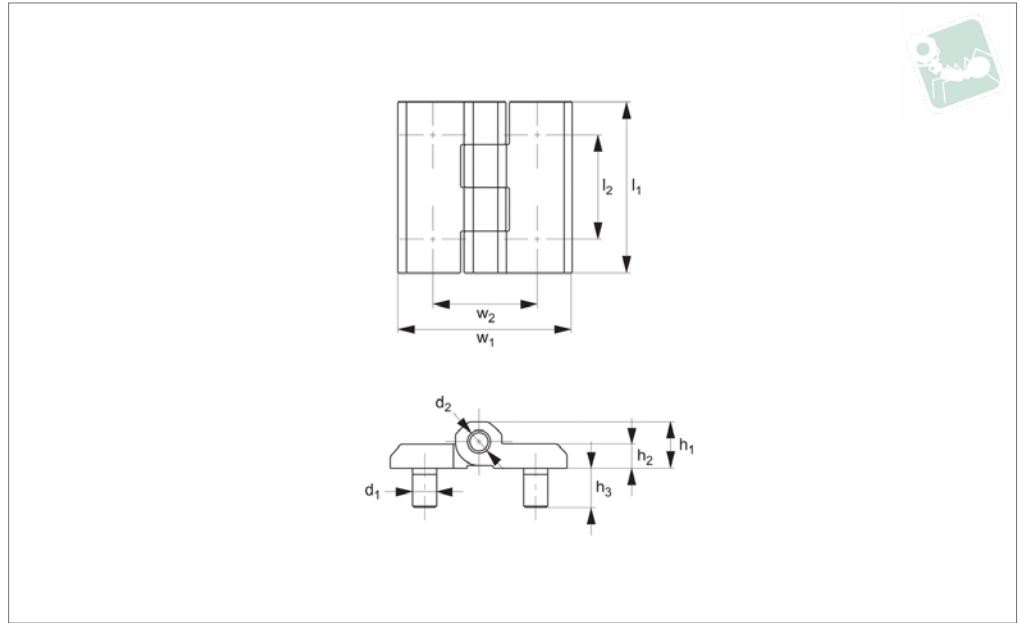
Technical Notes

For plain/flush mounted doors, as well as

Order No.	Size	h_1	h_2	l_1	l_2	w_1	w_2	d_1	d_2	d_3	90° Angled stress kN	Axial load F_x N max.	Axial stress kN	Radial load F_x N max.	Radial stress kN
HH0020.M0050	50 x 50	11,5	6	50	30	50	30	12,5	6,3	7	2,45	1,3	2,10	1,2	3,5
HH0020.M0060	60 x 60	15,0	8	60	36	60	36	12,5	8,4	8	4,40	1,8	3,20	1,5	6,0



HH0100



Material

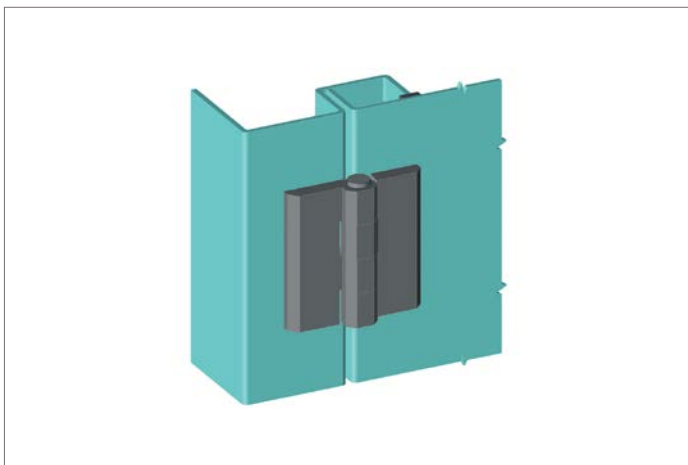
Body: die cast zinc, black powder coated.
Pin: steel, nickel plated.

Technical Notes

For plain/flush mounted doors, as well as electrical panels and covers.

Opening angle 180°.

Order No.	Finish	Size	h_1	h_2	h_3	l_1	l_2	w_1	w_2	d_1	d_2	90° Angled stress	Axial load F_x N max.	Axial stress kN	Radial load F_x N max.	Radial stress kN
HH0100.M0040	Black Coated	40 x 40	9,0	5	10,0	40	25	40	25	M 5	4	1,85	1.2	0,9	1.0	1,7
HH0100.M0050	Black Coated	50 x 50	11,5	6	12,5	50	30	50	30	M 6	6	2,0	1.3	2,05	1.2	3,55
HH0100.M0057	Black Coated	50 x 70	11,5	6	12,5	50	30	76	56	M 6	6	2,00	1.2	1,5	11.2	3,00
HH0100.M0060	Black Coated	60 x 60	15,0	8	16,5	60	36	60	36	M 6	8	2,55	1.8	3,05	1.5	4,05
HH0100.M0612	Black Coated	60 x 120	15,0	8	16,5	60	36	120	88	M 8	8	1,5	1.2	1,5	1.12	4,5

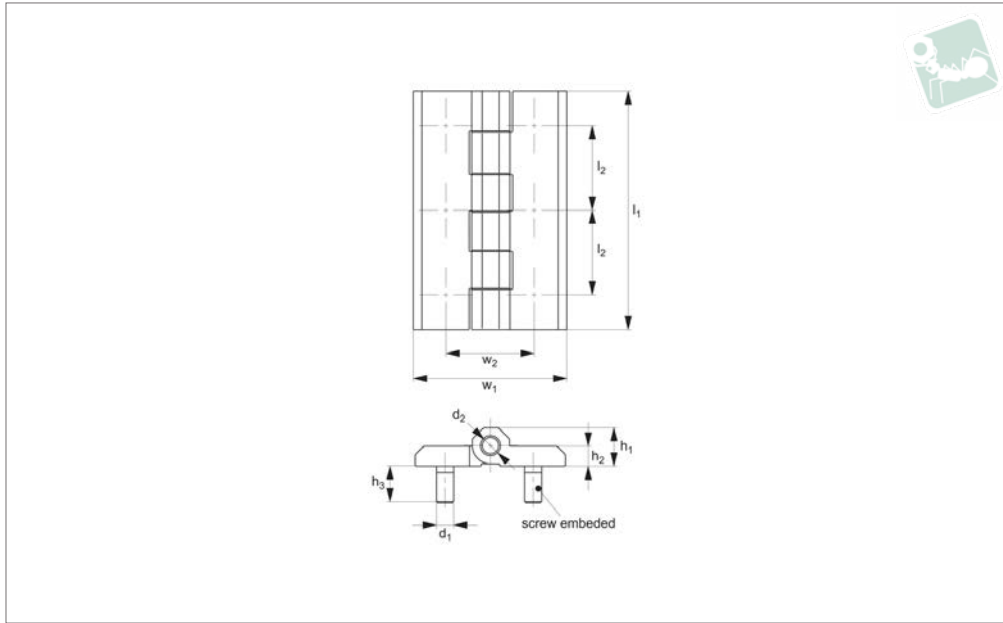




Surface Mount - Leaf Hinges

intergrated stud mount - zinc

Stays & Hinges



HH0102

STAYS & HINGES

Material

Hinge: die cast zinc, black powder coated.
Pin: nickel-plated steel.

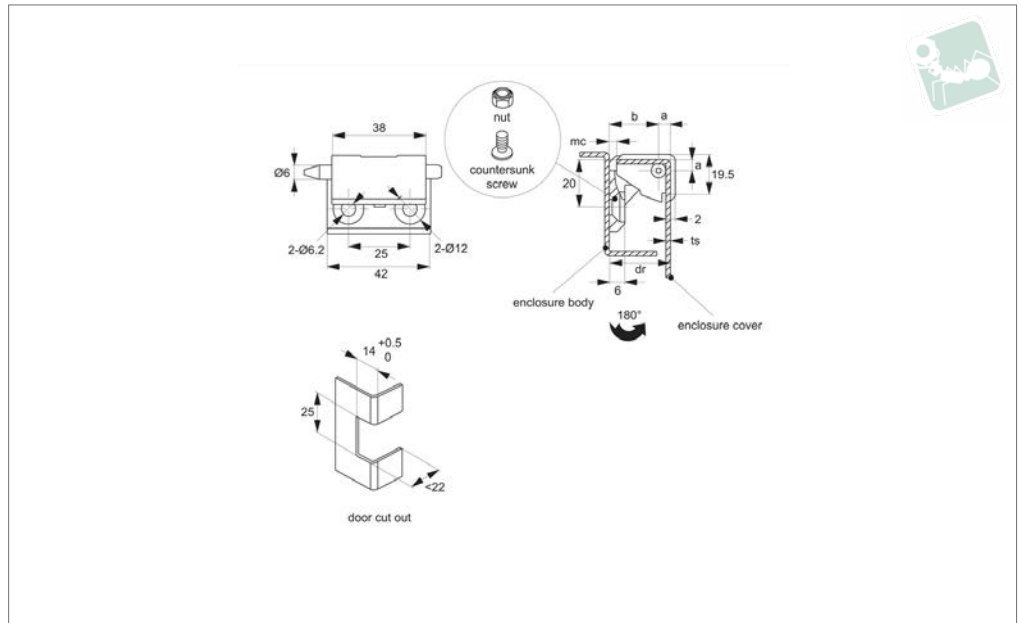
Technical Notes

Opening angel 180°.

Order No.	Type	h_1	h_2	h_3	l_1	l_2	w_1	w_2	F_x kN	F_y kN	d_1	d_2
HH0102.M0010	Left	15	8	14.5	90	32	60	36	1.12	1.2	M 8	8
HH0102.M0020	Right	15	8	14.5	90	32	60	36	1.12	1.2	M 8	8



HH0410



Material

Hinge: die cast zinc, black powder coated.
Pin: steel, nickel-plated.

Technical Notes

For sheet metal and machine enclosures with a 24 to 26mm door return up to 3mm

thick. For installation dimension see cut out detail.

Mounting via M6 screws.

Universal left or right hand opening doors.

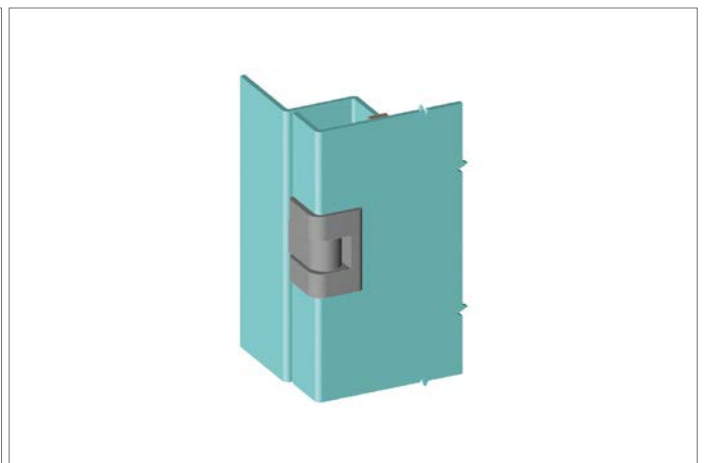
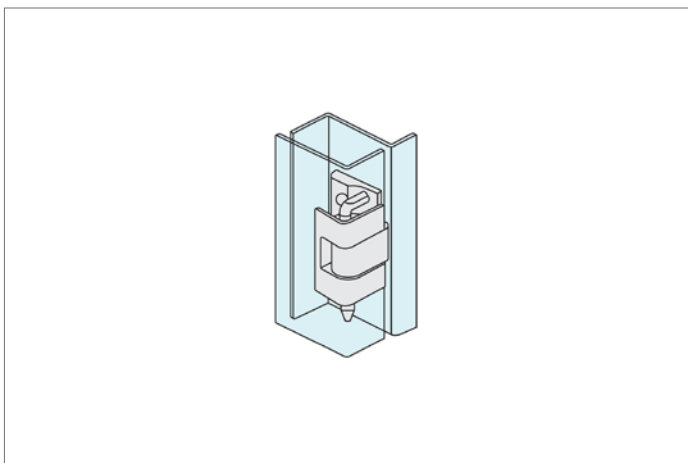
Max. opening angle 180°.

Important Notes

dr= Maximum door return suitable for use with hinge.

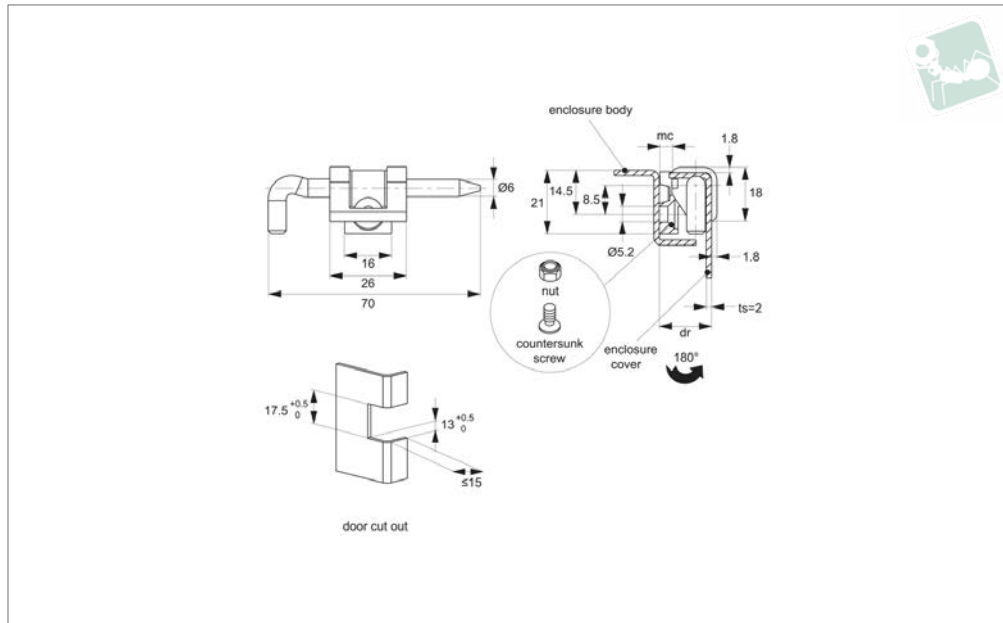
mc= Minimum clearance advised between enclosure cover and body to ensure smooth, full opening of enclosure cover.

Order No.	Finish	Door return	a	b	F _x N	F _y N	mc min.	ts panel thickness
HH0410.M0001	Black coated	24.1	4.6	20	1050	980	3	1.5
HH0410.M0002	Black coated	25.1	5.1	20	1050	980	3	2.0
HH0410.M0003	Black coated	26.1	6.1	20	1050	980	3	3.0





Corner Hinge - 17mm Door Return cut out and countersunk screw - zinc



HH0420

STAYS & HINGES

Material

Hinge: die cast zinc, black powder coated.
Pin: stainless steel AISI 304.

Technical Notes

For sheet metal and machine enclosures with a 17mm door return, upto 2mm thick.
For installation dimension see cut out

detail.

Universal left or right hand opening doors.
Max. opening angle 180°.

Tips

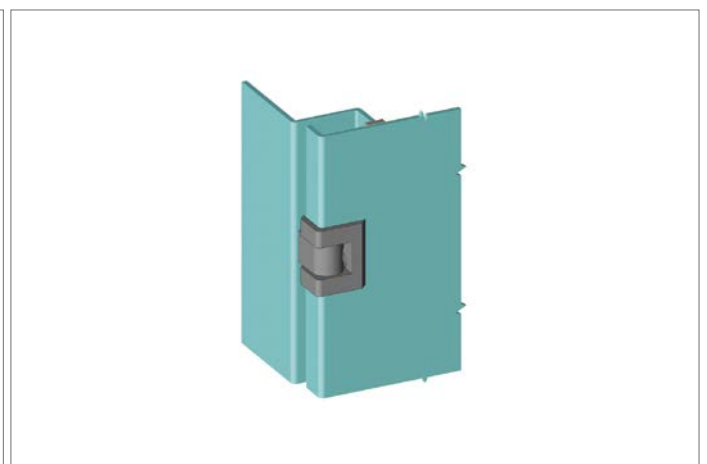
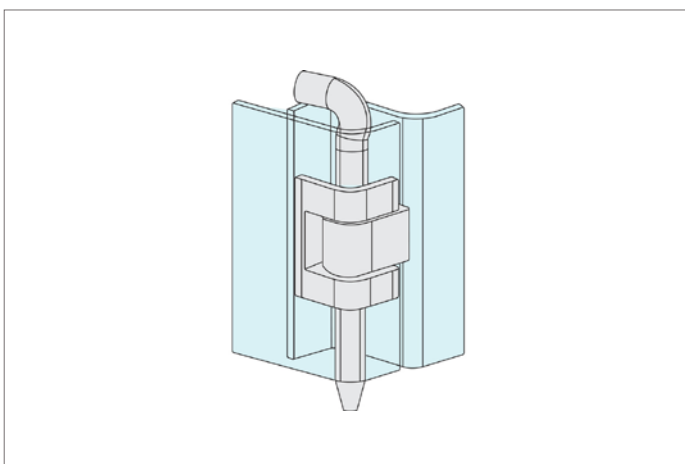
Mounting via M5 countersunk screws (not supplied).

Important Notes

dr= Maximum door return suitable for use with hinge.

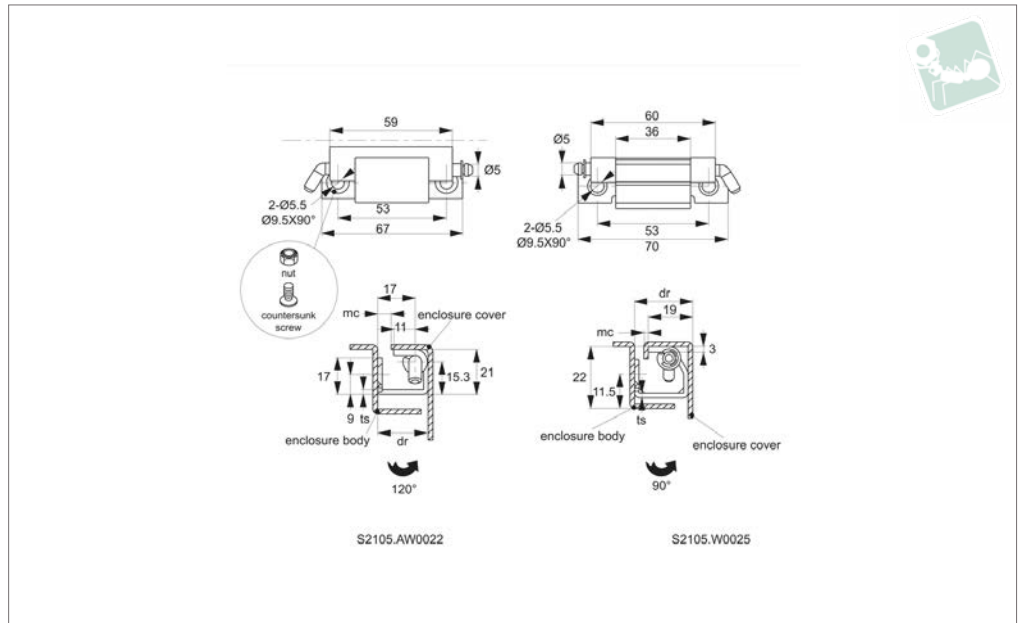
mc= Minimum clearance advised between enclosure cover and body to ensure smooth, full opening of enclosure cover.

Order No.	Finish	Door return	F _x N	F _y N	mc min.	ts panel thickness
HH0420.M0010	Black coated	17	405	805	2	2.0





HH0700



Material

Body & hinge: steel, white zinc plated.

Technical Notes

Suited to sheet metal and machine enclosures with 22-25mm door return. Main body

mounted via two M5 screws. Hinge plate either welded or screwed to enclosure body.

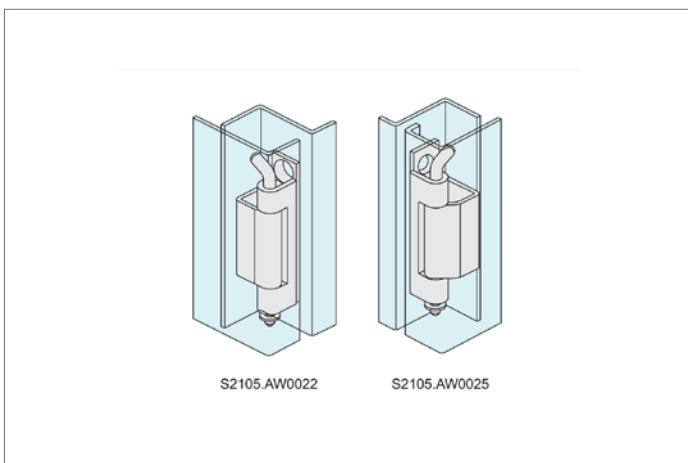
Removable hinge pin enables easy installation and is held in place via circlip. Max. opening angle 120° or 90°.

Important Notes

dr= Maximum door return suitable for use with hinge.

mc= Minimum clearance advised between enclosure cover and body to ensure smooth, full opening of enclosure cover.

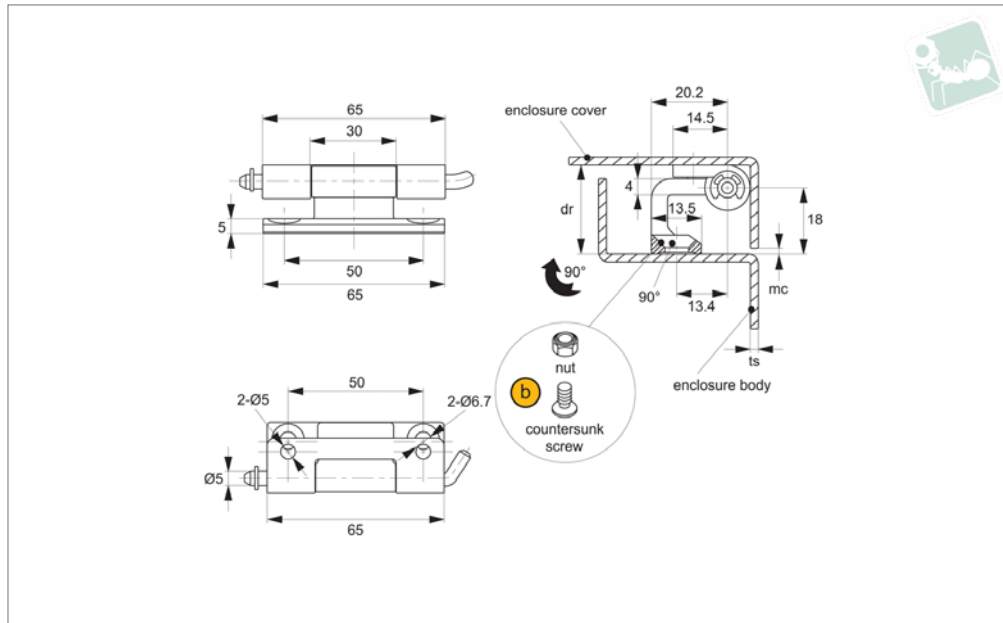
Order No.	Door return	Size	F _x N	F _y N	mc min.	ts thickness
HH0700.M0022	25	59 x 21 x 22	120	310	4.5	2.5
HH0700.M0025	22	60 x 22 x 25	120	310	4.0	2.5





Concealed Pivot Hinges - Lift Off

23mm door return - weld and countersunk screw



HH0710

STAYS & HINGES

Material

Hinge & pin: steel, white zinc plated.

Technical Notes

Suited to sheet metal and machine enclosures with 23mm door return. When the gap between the door and frame is 2mm, opening angle is 90°.

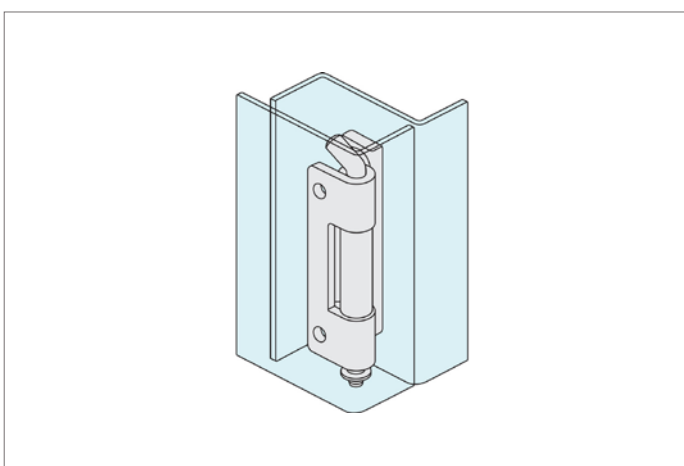
Main body mounted via M6 screws, hinge plate either welded or screwed to enclosure with M5 screws. Removable hinge pin enables easy installation and is held in place via circlip. Opening angle 180°.

Important Notes

dr= Maximum door return suitable for use with hinge.

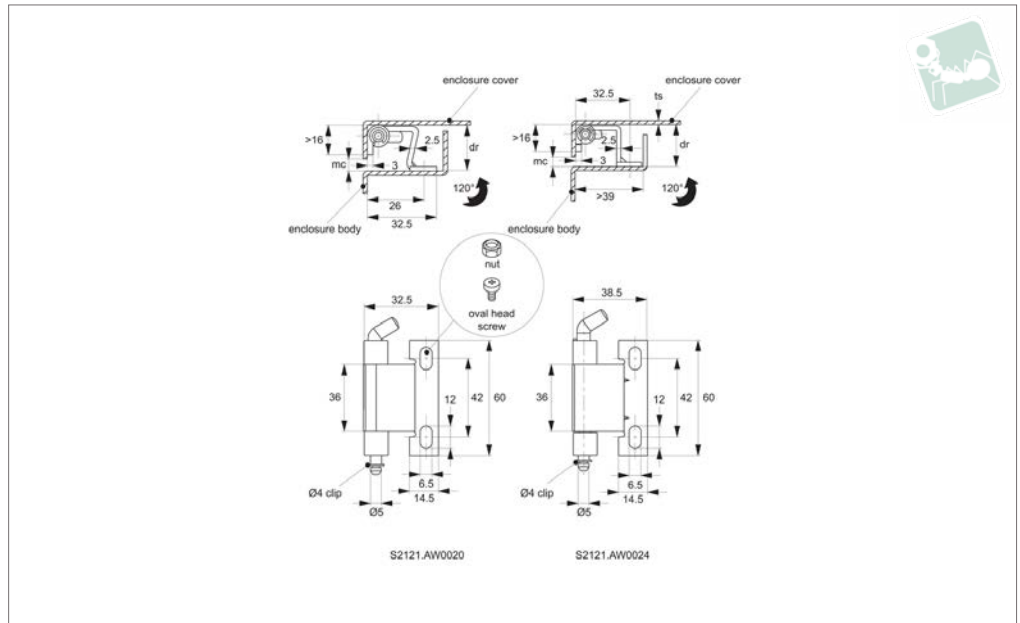
mc= Minimum clearance advised between enclosure cover and body to ensure smooth, full opening of enclosure cover.

Order No.	Door return	Size	F _x N	F _y N	mc min.	ts panel thickness
HH0710.M0024	23.8	65 x 23 x 20,2	900	700	2	2





HH0720



Material

Hinge & pin: steel, white zinc plated.

Technical Notes

Suited to sheet metal and machine enclosures with door return of 20-24mm. Main body mounted via two M6 screws, hinge

plate welded to frame.

Removable hinge pin enables easy installation, and is held in place via circlip. Max. opening angle 120°.

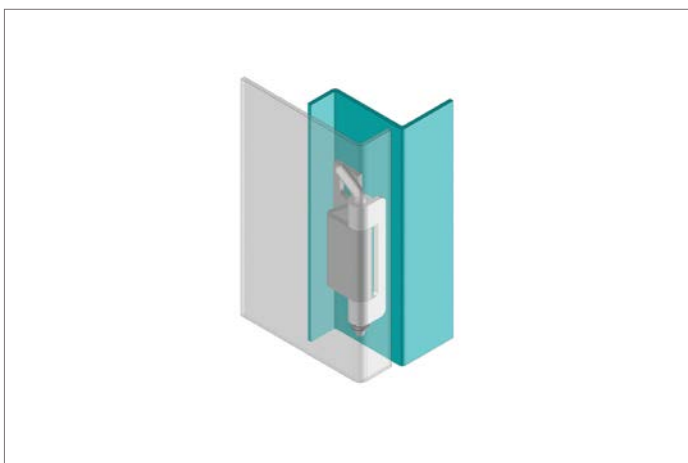
Important Notes

dr= Maximum door return suitable for use

with hinge.

mc= Minimum clearance advised between enclosure cover and body to ensure smooth, full opening of enclosure cover.

Order No.	Door return	Size	F _x N	F _y N	mc min.	ts panel thickness
HH0720.M0020	20.0	60,0 x 32,5 x 20,0	350	778	3	2.0
HH0720.M0024	24.5	60,0 x 38,5 x 24,5	350	778	3	2.0

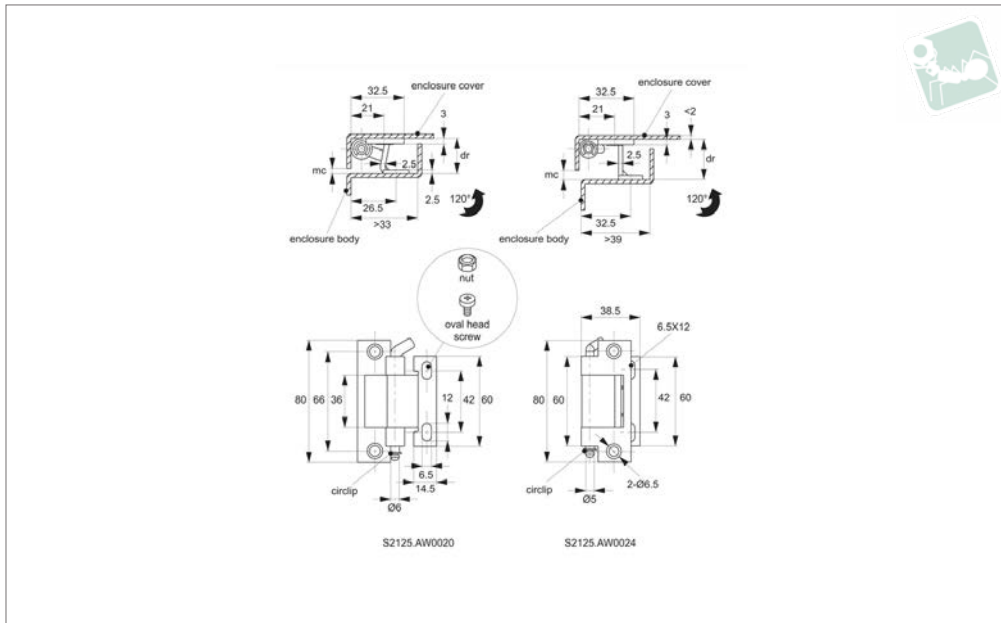




Concealed Pivot Hinges - Lift Off

20 & 24mm door return - weld and oval head screw

Stays & Hinges



HH0730

STAYS & HINGES

Material

Hinge & pin: steel, white zinc plated.

Technical Notes

Suited to sheet metal and machine enclosures with 20-24mm door return. Main body mounted via two M6 screws, hinge plate

welded to frame.

Removable hinge pin enables easy installation, and is held in place via circlip. Max. opening angle 120°.

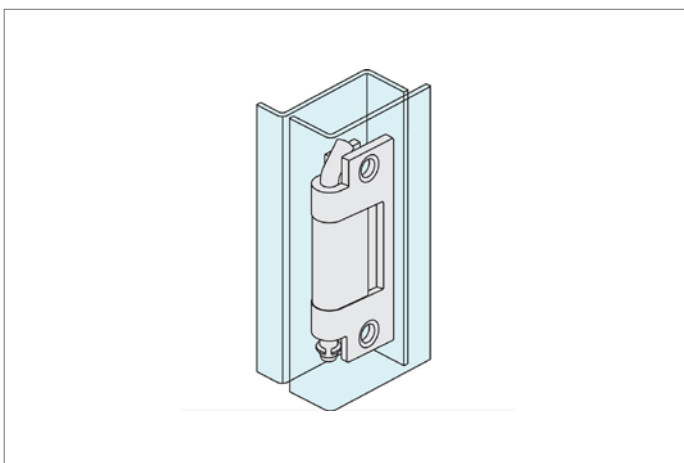
Important Notes

dr= Maximum door return suitable for use

with hinge.

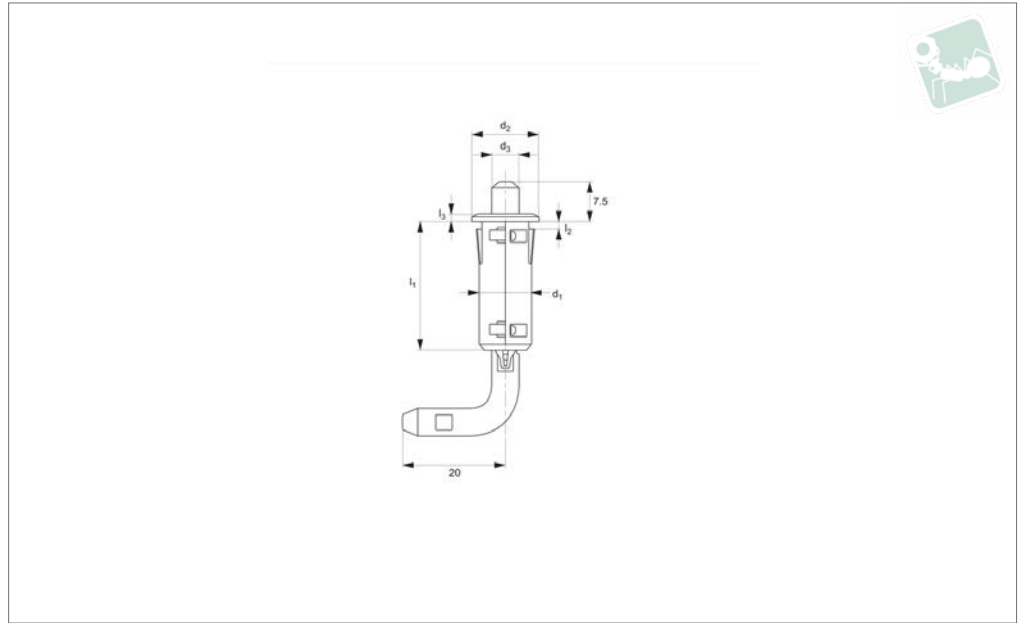
mc= Minimum clearance advised between enclosure cover and body to ensure smooth, full opening of enclosure cover.

Order No.	Door return	Size	F _x N	F _y N	mc min.	ts panel thickness
HH0730.M0020	20.0	60,0 x 33,0 x 20,0	310	480	3.0	2.0
HH0730.M0024	24.5	60,0 x 39,0 x 24,5	310	480	2.5	2.0





HH0900



Material

Body: polyamide, black PA 6 GRF30.
Pin: stainless steel.
Latch: die cast zinc, white zinc plated.

Technical Notes

For sheet metal doors, cabinets and machi-

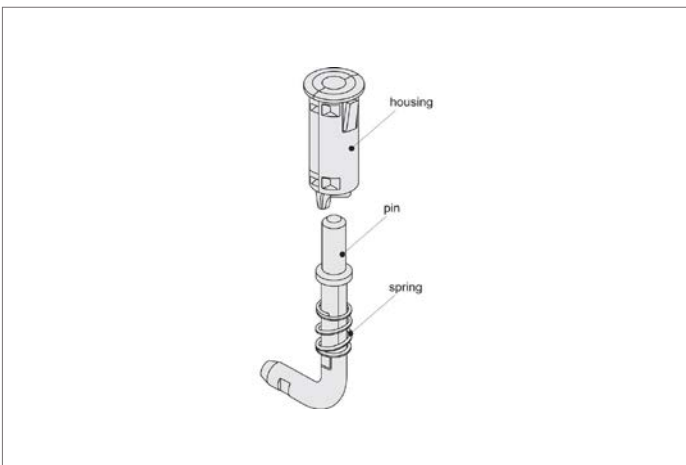
inery covers. Clip fix for easy assembly.
Pull back pin lever, hinge pin is retracted.
Release pin lever and hinge pin springs
back. Opening angle 180°.

Tips

Spring loaded feature of hinge enables

easy assembly and disassembly of panel/
door, ideal for maintenance covers.
Max. opening angle 110°.

Order No.	l_1	d_1	d_2	d_3	l_2	l_3
HH0900.M0005	24.5	10	13	5	7.5	1.5

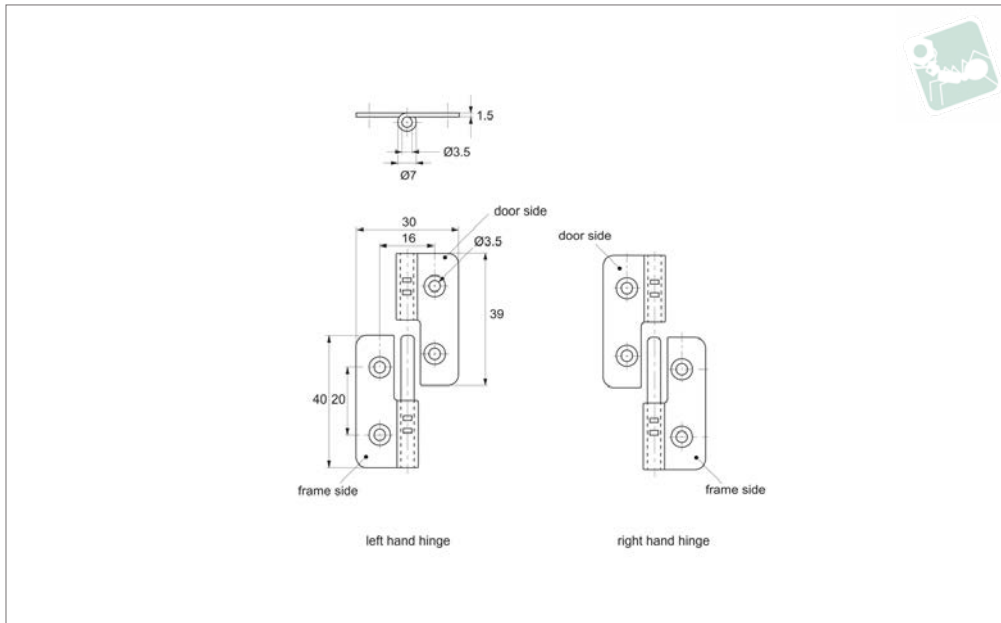




Lift-Off Hinges - Off-Set

screw mount - stainless steel

Stays & Hinges



HH1200

STAYS & HINGES

Material

Stainless steel, AISI 304, polished finish.

Important Notes

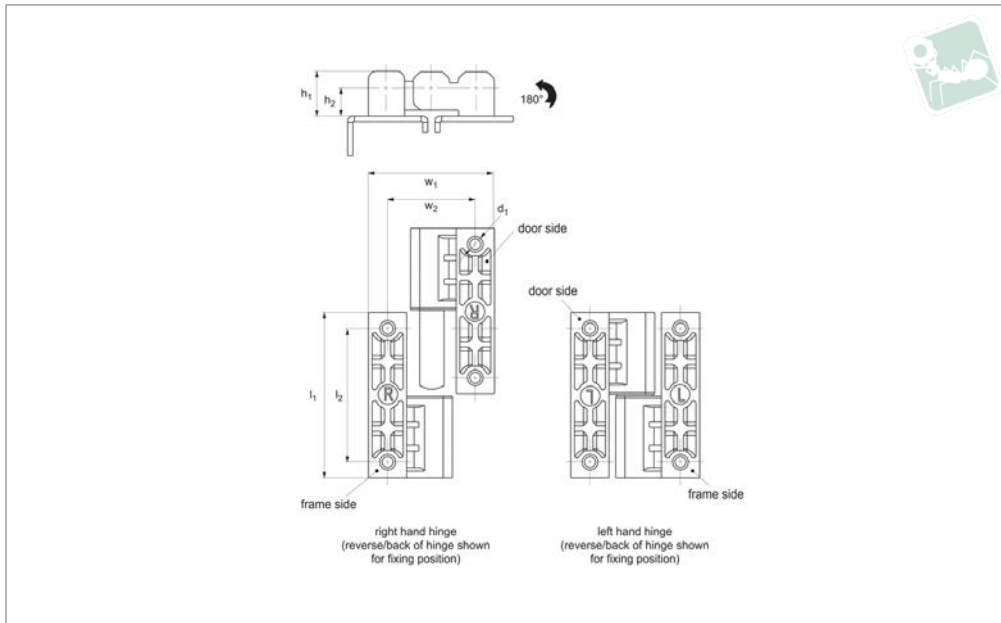
Product stamped with an „L“ does not

mean it is a left hand hinge - it fixes to the right hand part of the frame.

Product stamped with an „R“ does not mean it is a right hand hinge - it fixes to

the left hand side of the frame.

Order No.	t	Type	Weight g
HH1200.M0010	1.5	Right	21
HH1200.M0110	1.5	Left	21



HH1215

STAYS & HINGES

Material

Hinge: die cast zinc.
Bushing: polyamide.

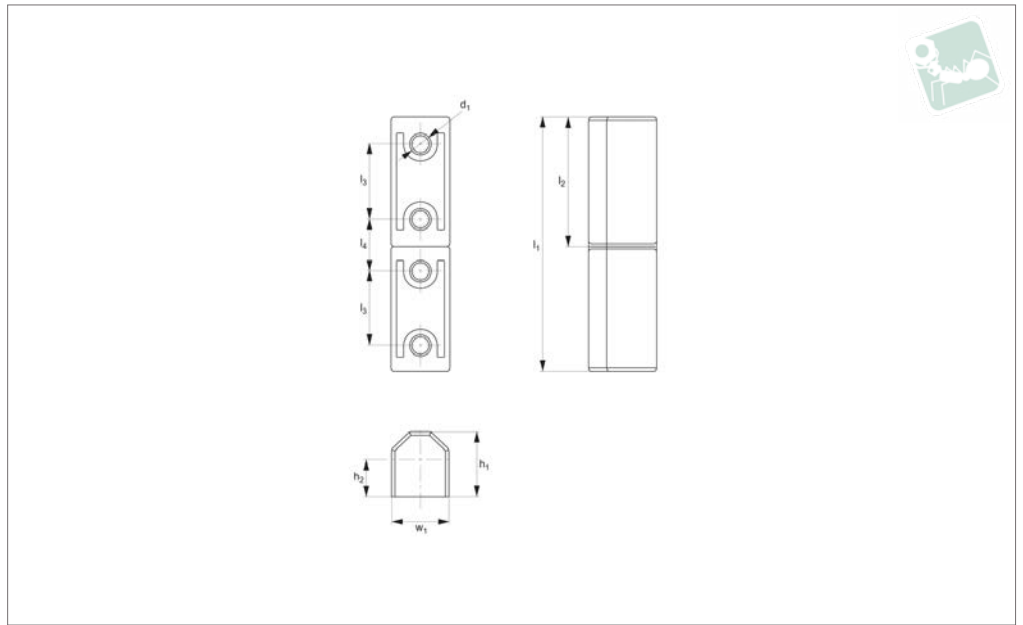
Technical Notes

Opening angle 180°.

Order No.	Type	l_1	w_1	d_1	h_1	h_2	l_2	w_2	F_x N	F_y N
HH1215.M0064	Right	64	50	M5	17.5	10	51	35	3300	880
HH1215.M0164	Left	64	50	M5	17.5	10	51	35	3300	880



HH1220



Material

Body: die cast zinc, chrome plated or black powder coated.
Bushing: polyamide.

Technical Notes

Universal left or right hand opening doors.
For external mounting on cabinets, surface mounted doors, sheet metal doors etc.

Mounting via concealed 4xM 5 screws.
Opening angle 180°.

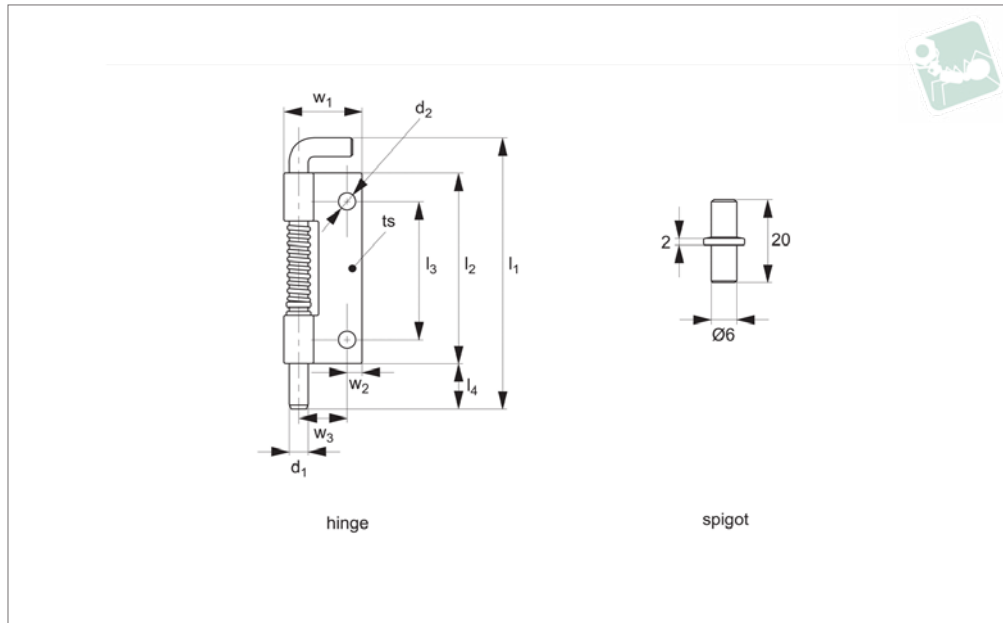
Order No.	Finish	l_1	w_1	d_1	h_1	h_2	l_2	l_3	l_4	F_x N	F_y N
HH1220.M0010	Chrome	64	15	M 5	17	10	32	19	13	600	1500
HH1220.M0020	Black Coated	64	15	M 5	17	10	32	19	13	600	1500



End Mount Concealed Pivot Hinge

spring loaded - screw or weld-on - steel

Stays & Hinges



HH0750

STAYS & HINGES

Material

Body: steel, zinc plated.

Technical Notes

For sheet metal doors, cabinets and machinery covers. Spring body can be either welded, or screw mounted.

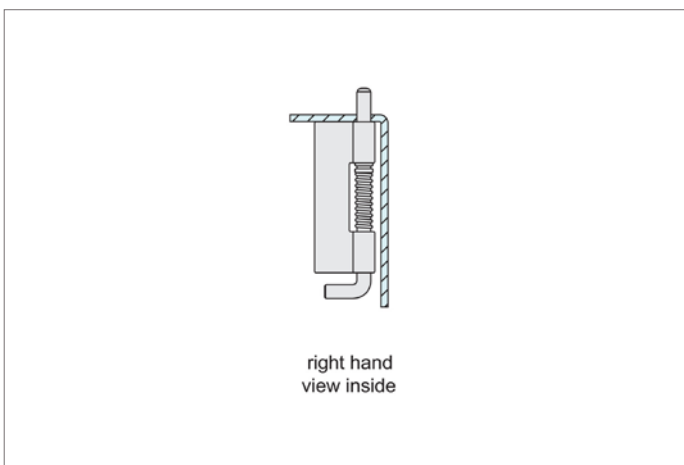
Pull back pin lever, hinge pin is retracted.
Release pin lever and hinge pin springs back.
Max. opening angle 110°.

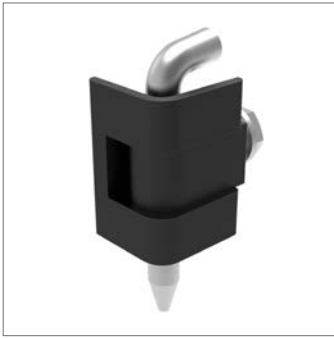
Tips

Spring loaded feature of hinge enables

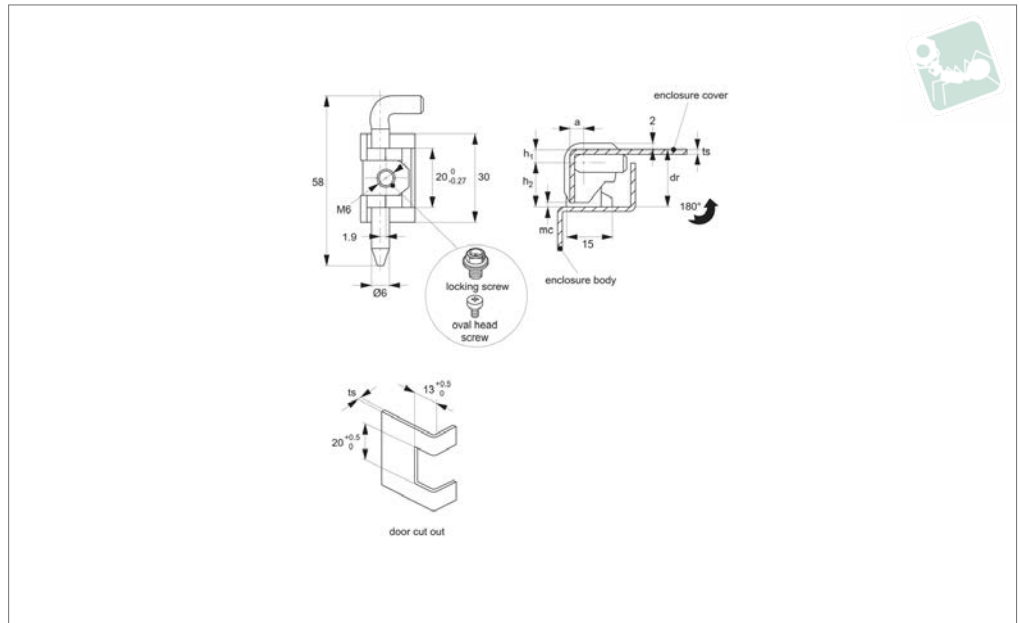
easy assembly and disassembly of panel/door, ideal for maintenance covers.
Typical assembly utilises spring loaded hinge at top of door and corresponding hinge spigot at foot of door.

Order No.	Hand	l_1	w_1	d_1	d_2	F_x N	F_y N	l_2	l_3	l_4	w_2	w_3	ts
HH0750.M0032	Left	52	16.5	4	3.2	150	200	32.0	19	10	5	8.5	2
HH0750.M0132	Right	52	16.5	4	3.2	100	130	32.0	19	10	5	8.5	2
HH0750.M0063	Left	89	26.5	6	5.5	150	200	62.5	45	15	6	15.2	2
HH0750.M0163	Right	89	26.5	6	5.5	150	200	62.5	45	15	6	15.2	2





HH0400



Material

Hinge: die cast zinc, black powder coated.
Pin: steel, nickel plated.

Technical Notes

Opening angle 180°. For sheet metal and machine enclosures with 19-24mm door

return and panel thickness 1,5 to 2,0mm.
See installation cut out for details.

Tips

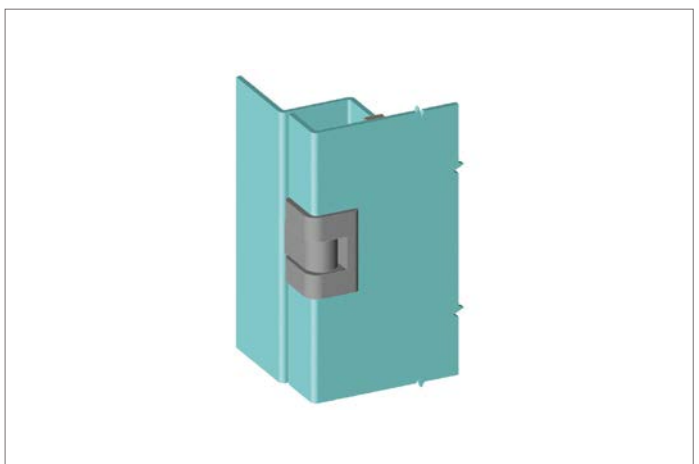
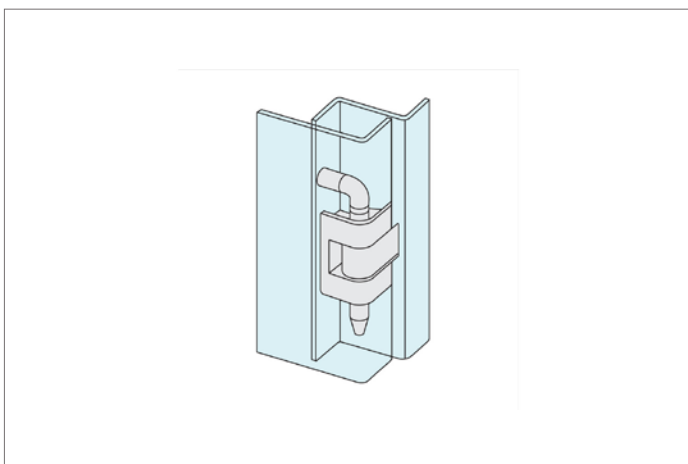
Mounting via M6 locking screw locking screw (not supplied).

Important Notes

dr= Maximum door return suitable for use with hinge.

mc= Minimum clearance advised between enclosure cover and body to ensure smooth, full opening of enclosure cover.

Order No.	Finish	Door return	h_1	h_2	F_x N	F_y N	mc min.	ts panel thickness
HH0400.M0015	Black Coated	19.6	4.6	15	940	720	2	1.5
HH0400.M0017	Black Coated	21.6	4.6	17	940	720	2	1.5
HH0400.M0019	Black Coated	23.6	4.6	19	940	720	2	1.5
HH0400.M0025	Black Coated	21.1	5.1	15	425	225	2	2.0
HH0400.M0027	Black Coated	22.1	5.1	17	425	225	2	2.0
HH0400.M0029	Black Coated	24.1	5.1	19	425	225	2	2.0

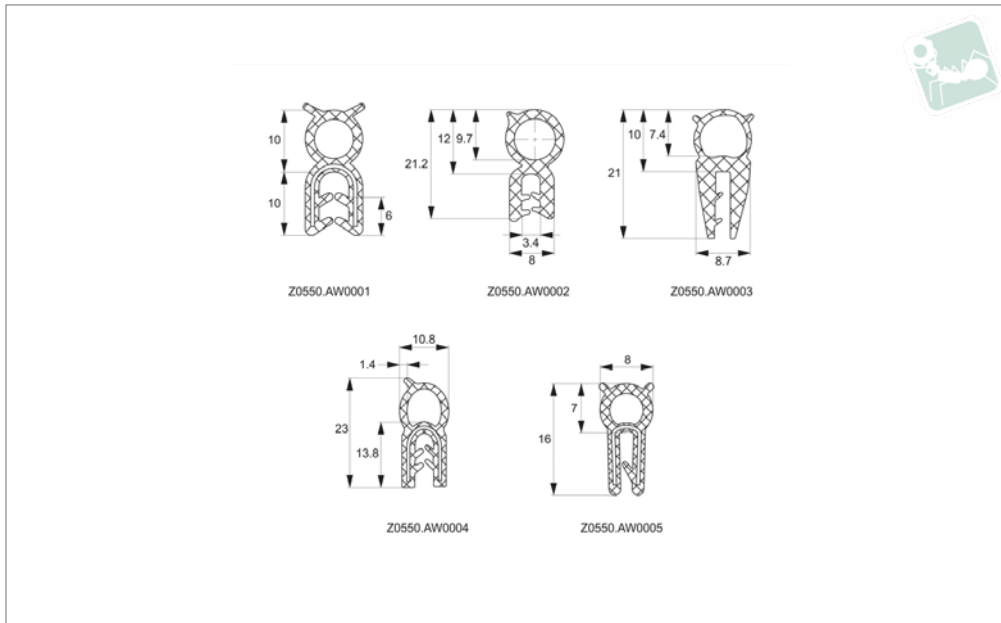




Gasket

EPDM - top bubble

Gasketing



GA0010

GASKETING

Material
EPDM, black.

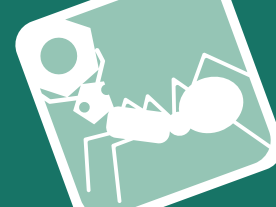
Larger lengths in multiples of 10m are available on request.

Information in the plastics and rubbers table in our technical index.

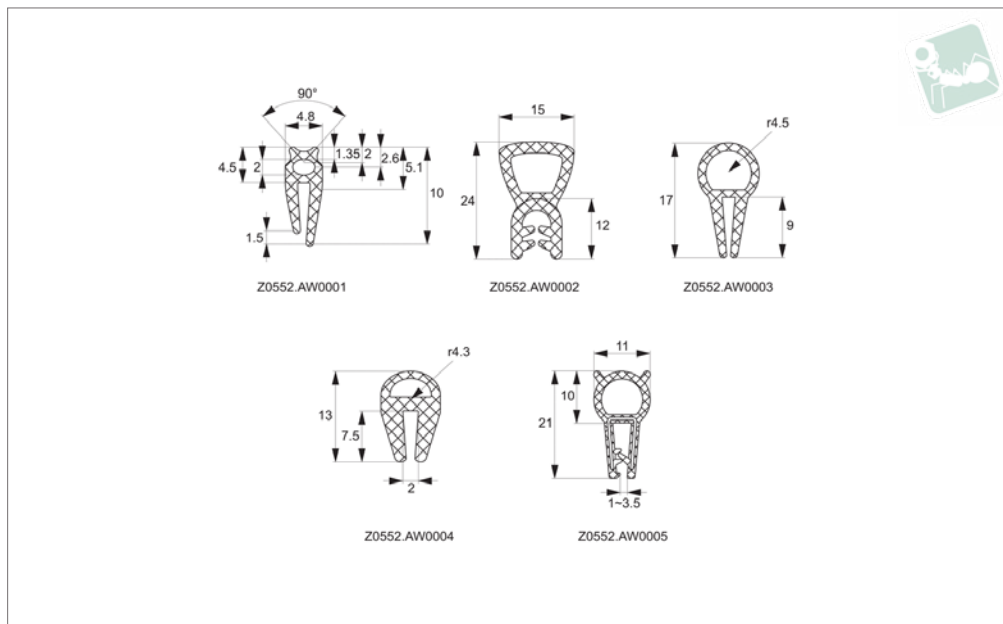
Technical Notes
Supplied in 10m lengths as standard.

Tips
For properties of EPDM material see information in the plastics and rubbers table in our technical index.

Order No.	Material	Colour	Grip range mm	Standard length m
GA0010.M0001	EPDM	Black	1,0-2,0	10
GA0010.M0002	EPDM	Black	1,0-2,0	10
GA0010.M0003	EPDM	Black	1,0-2,0	10
GA0010.M0004	EPDM	Black	1,0-1,5	10
GA0010.M0005	EPDM	Black	1,0-1,5	10



GA0012



Material
EPDM, black.

Technical Notes
Supplied in 10m lengths as standard.

Larger lengths in multiples of 10m are available on request.

Tips
For properties of EPDM material see information in the plastics and rubbers table in our technical index.

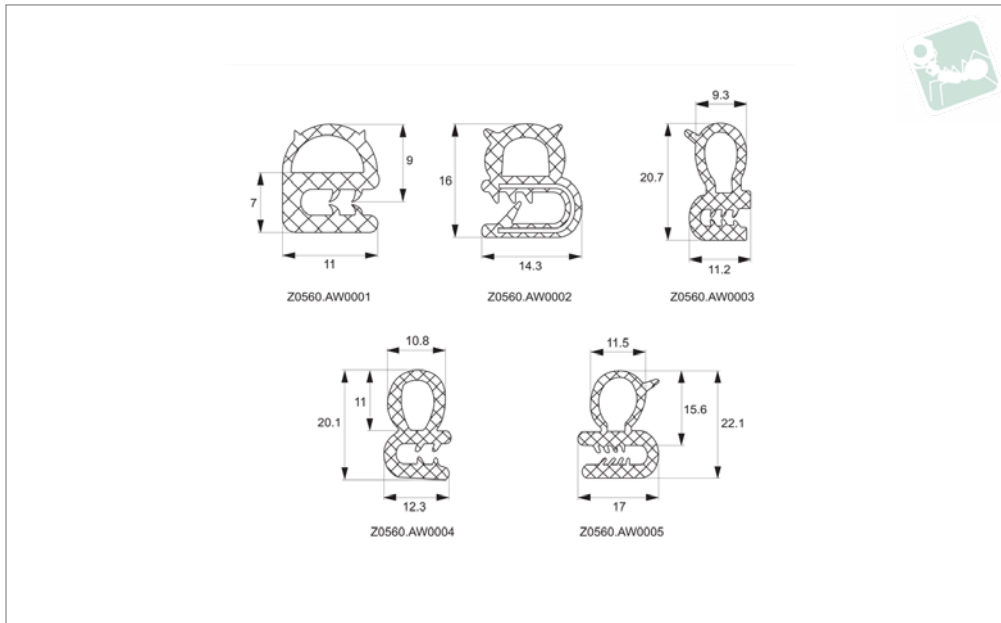
Order No.	Material	Colour	Standard length m
GA0012.M0001	EPDM	Black	10
GA0012.M0002	EPDM	Black	10
GA0012.M0003	EPDM	Black	10
GA0012.M0004	EPDM	Black	10
GA0012.M0005	EPDM	Black	10



Gasket

EPDM - side bubble

Gasketing



GA0020

GASKETING

Material
EPDM, black.

Larger lengths in multiples of 10m are available on request.

Information in the plastics and rubbers table in our technical index.

Technical Notes
Supplied in 10m lengths as standard.

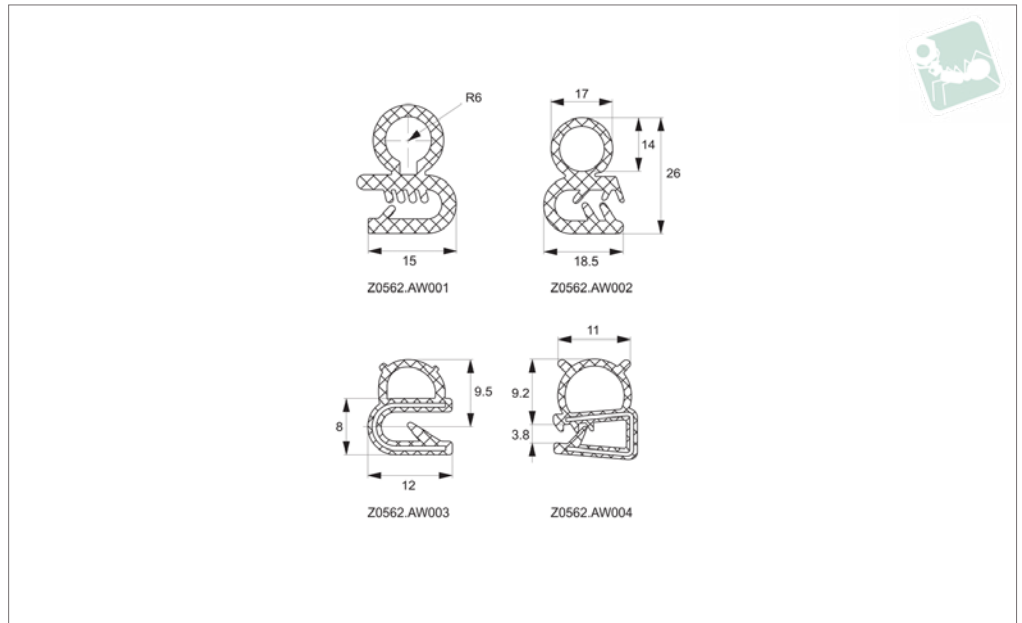
Tips
For properties of EPDM material see information in the plastics and rubbers table in our technical index.

Important Notes
Price shown is per metre.

Order No.	Material	Colour	Grip range mm	Standard length m
GA0020.M0001	EPDM	Black	1,0-2,0	10
GA0020.M0002	EPDM	Black	1,0-2,0	10
GA0020.M0003	EPDM	Black	1,0-1,5	10
GA0020.M0004	EPDM	Black	1,0-2,0	10
GA0020.M0005	EPDM	Black	1,0-1,5	10



GA0022



Material
EPDM, black.

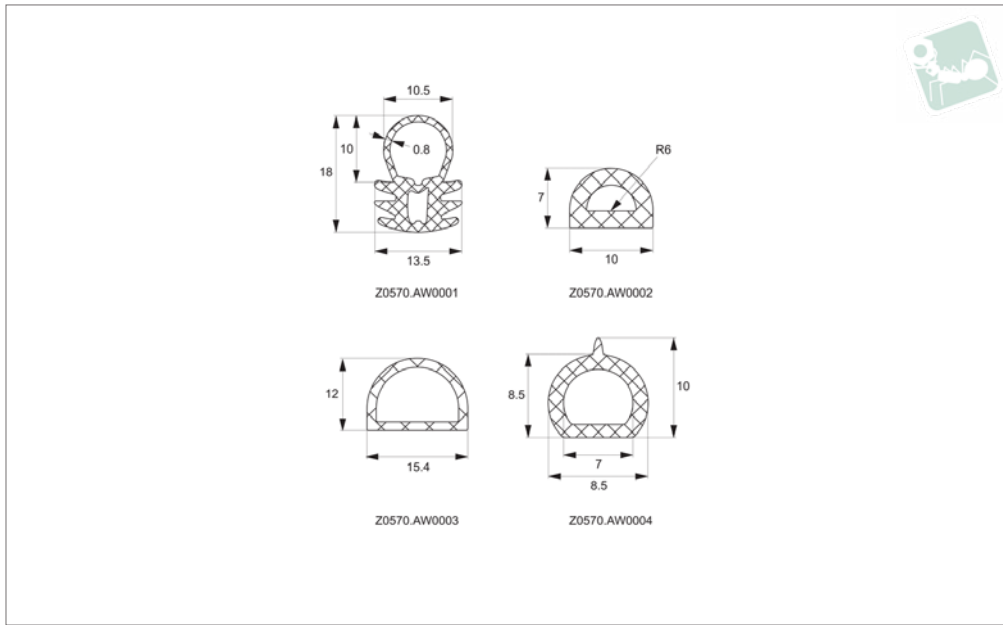
Larger lengths in multiples of 10m are available on request.

Information in the plastics and rubbers table in our technical index.

Technical Notes
Supplied in 10m lengths as standard.

Tips
For properties of EPDM material see information in the plastics and rubbers table in our technical index.

Order No.	Material	Colour	Grip range mm	Standard length m
GA0022.M0001	EPDM	Black	1,0-2,0	10
GA0022.M0002	EPDM	Black	1,0-2,0	10
GA0022.M0003	EPDM	Black	1,0-2,0	10
GA0022.M0004	EPDM	Black	1,0-3,5	10



GA0030

GASKETING

Material
EPDM, black.

Larger lengths in multiples of 10m are available on request.

Information in the plastics and rubbers table in our technical index.

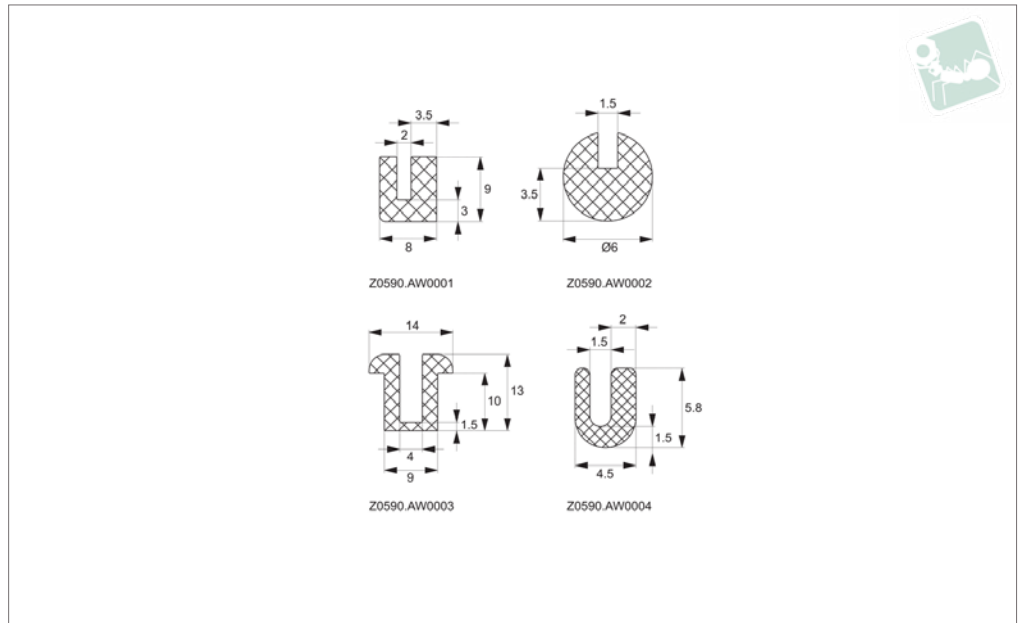
Technical Notes
Supplied in 10m lengths as standard.

Tips
For properties of EPDM material see information in the plastics and rubbers table in our technical index.

Order No.	Material	Colour	Standard length m
GA0030.M0001	EPDM	Black	10
GA0030.M0002	EPDM	Black	10
GA0030.M0003	EPDM	Black	10



GA0040



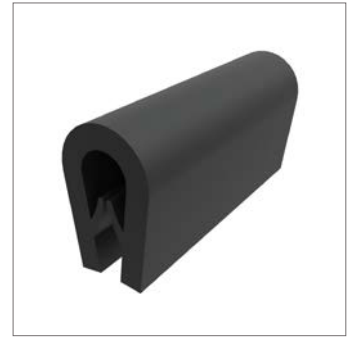
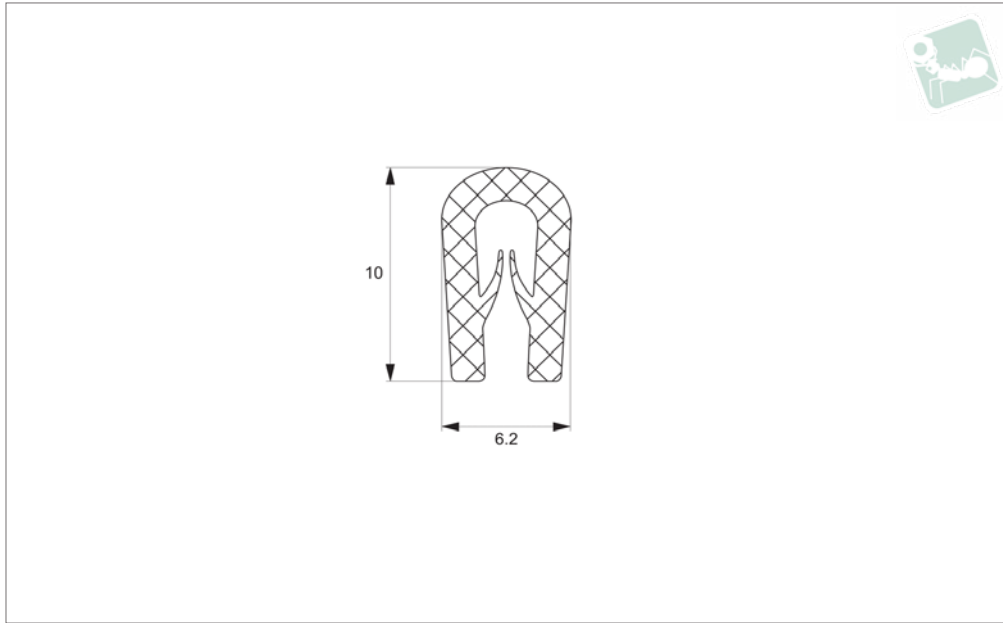
Material
EPDM, black.

Technical Notes
Supplied in 10m lengths as standard.

Larger lengths in multiples of 10m are available on request.

Tips
For properties of EPDM material see information in the plastics and rubbers table in our technical index.

Order No.	Material	Colour	Standard length m
GA0040.M0001	EPDM	Black	10
GA0040.M0002	EPDM	Black	10
GA0040.M0003	EPDM	Black	10
GA0040.M0004	EPDM	Black	10



GA0100

GASKETING

Material
EPDM, black.

lengths in multiples of 10m are available on request.

mation in the plastics and rubbers table in our technical index.

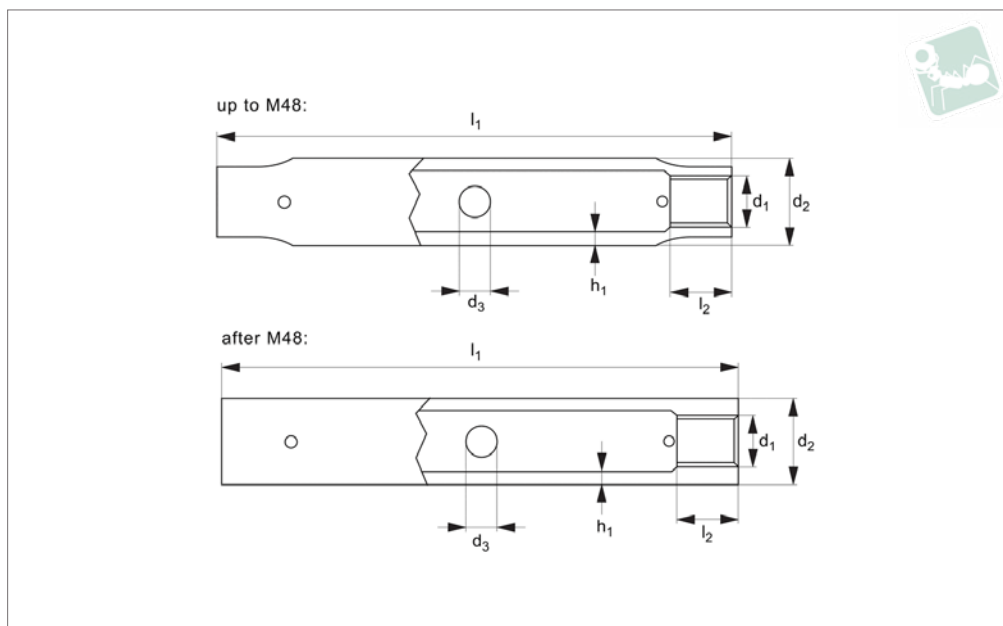
Technical Notes
Can be supplied in 10m lengths. Larger

Tips
For properties of EPDM material see infor-

Order No.	Material	Colour	Grip range mm	Standard length m
GA0100.M0001	EPDM	Black	1,0-2,0	10



LP1300



Material

Steel (1.0037), zinc-plated.
Hot dip galvanized, available on request providing increased protection against corrosion. Please add -FZ for hot dip galvanized, e.g. LP1300.006-FZ.

Technical Notes

To DIN 1478.

Tips

Turnbuckles consist of a metal frame with right hand thread one end and left hand thread the other end. Used for tensioning by rotating turnbuckle body without twisting attached rope or cable.

Only suitable for use in tension.

Important Notes

Turnbuckles are not to be used for lifting.

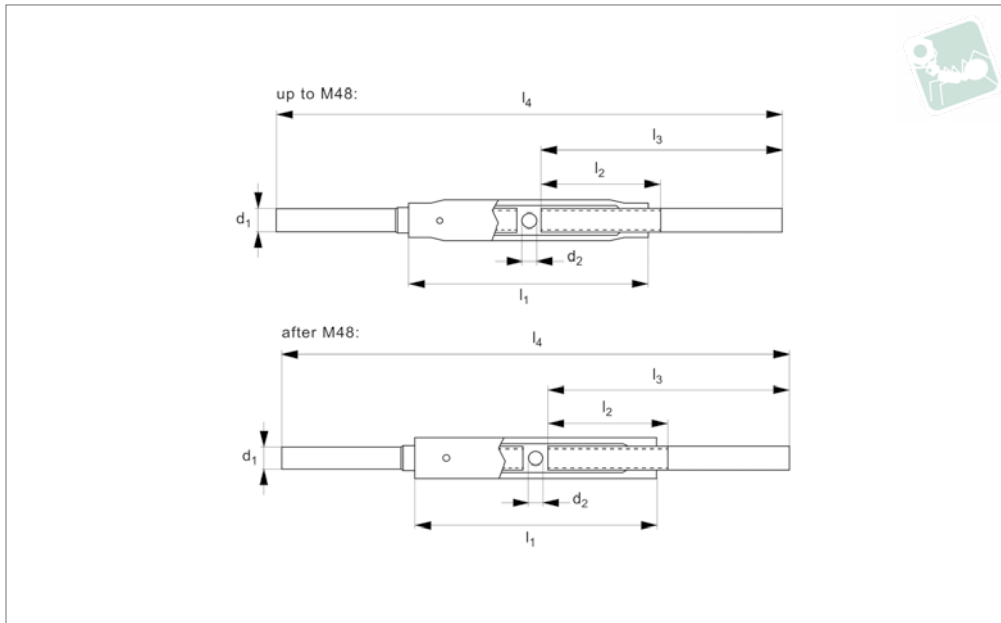
Order No.	d_1	l_1	d_2	d_3 min.	d_3 max.	h_1	l_2	Adjustment	Weight kg
LP1300.006	M 6	110	17.2	5.7	6.3	2.9	7.5	90	0.13
LP1300.008	M 8	110	17.2	7.5	8.5	3.6	10	85	0.13
LP1300.010	M10	125	21.3	7.5	8.5	4.0	12	95	0.18
LP1300.012	M12	125	25.0	9.5	10.5	4.0	15	90	0.25
LP1300.016	M16	170	30.0	9.5	10.5	4.5	20	120	0.45
LP1300.020	M20	200	33.7	11.5	12.5	5.0	24	140	0.56
LP1300.024	M24	255	42.4	11.5	12.5	5.6	29	180	1.08
LP1300.030	M30	255	51.0	15.5	16.5	6.3	36	160	1.61
LP1300.036	M36	295	63.5	15.5	16.5	8.0	43	180	2.35
LP1300.042	M42	330	70.0	19.5	20.5	8.8	51	200	4.30
LP1300.048	M48	355	82.5	19.5	20.5	10.0	58	210	5.50
LP1300.056	M56	355	90.0	24.5	25.5	15.0	68	190	9.60
LP1300.064	M64	425	100	24.5	25.5	16	77	240	14.00
LP1300.072	M72x6	425	110	29.5	30.5	17	87	210	17.00
LP1300.080	M80x6	440	120	29.5	30.5	18	96	210	21.00



Stud End Pipe Body Turnbuckles

steel

Turnbuckles



LP1304

TURNBUCKLES

Material

Steel (1.0037 up to M48 then 1.0052), zinc-plated.
Hot dip galvanized, available on request providing increased protection against corrosion. Please add -FZ for hot dip galvanized, e.g. LP1304.006-FZ.

Technical Notes

To DIN 1478.

Tips

Turnbuckles consist of a metal frame with right hand thread one end and left hand thread the other end. Used for tensioning

by rotating turnbuckle body without twisting attached rope or cable.

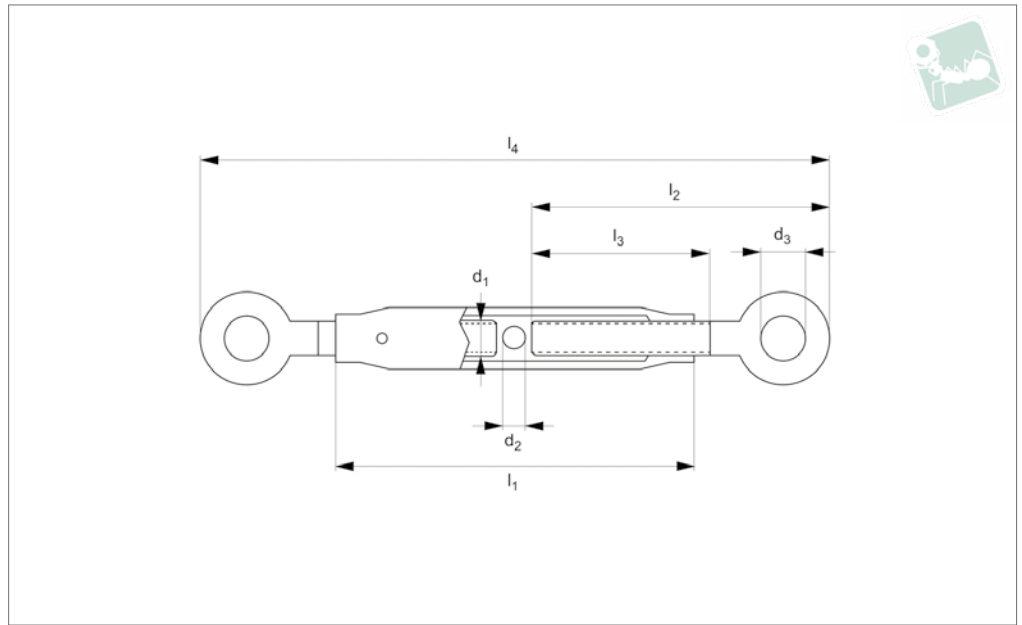
Important Notes

Turnbuckles are not to be used for lifting. Only suitable for use in tension.

Order No.	d ₁	l ₁	d ₂	l ₂	l ₃	l ₄ min.	l ₄ max.	Weight kg
LP1304.006	M 6	110	6	60	120	246	336	0.17
LP1304.008	M 8	110	8	65	120	248	333	0.20
LP1304.010	M10	125	8	75	150	309	404	0.32
LP1304.012	M12	125	10	75	150	311	401	0.45
LP1304.016	M16	170	10	100	200	410	530	0.97
LP1304.020	M20	200	12	120	220	452	592	1.48
LP1304.024	M24	255	12	150	260	533	713	2.62
LP1304.030	M30	255	16	160	260	537	697	4.01
LP1304.036	M36	295	16	180	300	617	797	6.35
LP1304.042	M42	330	20	200	350	720	920	10.50
LP1304.048	M48	355	20	220	380	781	991	14.30
LP1304.056	M56	355	25	230	380	785	975	21.60
LP1304.064	M64	425	25	300	425	875	1015	32.40
LP1304.072	M72	425	30	270	400	831	1041	42.00
LP1304.080	M80	440	30	270	400	830	1040	51.00



LP1308



Material

Steel (1.0037), zinc-plated.
Hot dip galvanized, available on request providing increased protection against corrosion. Please add -FZ for hot dip galvanized, e.g. LP1304.006-FZ.

Technical Notes

To DIN 1478.

Tips

Turnbuckles consist of a metal frame with right hand thread one end and left hand thread the other end. Used for tensioning by rotating turnbuckle body without twisting attached rope or cable.

Only suitable for use in tension.

Important Notes

Turnbuckles are not to be used for lifting.

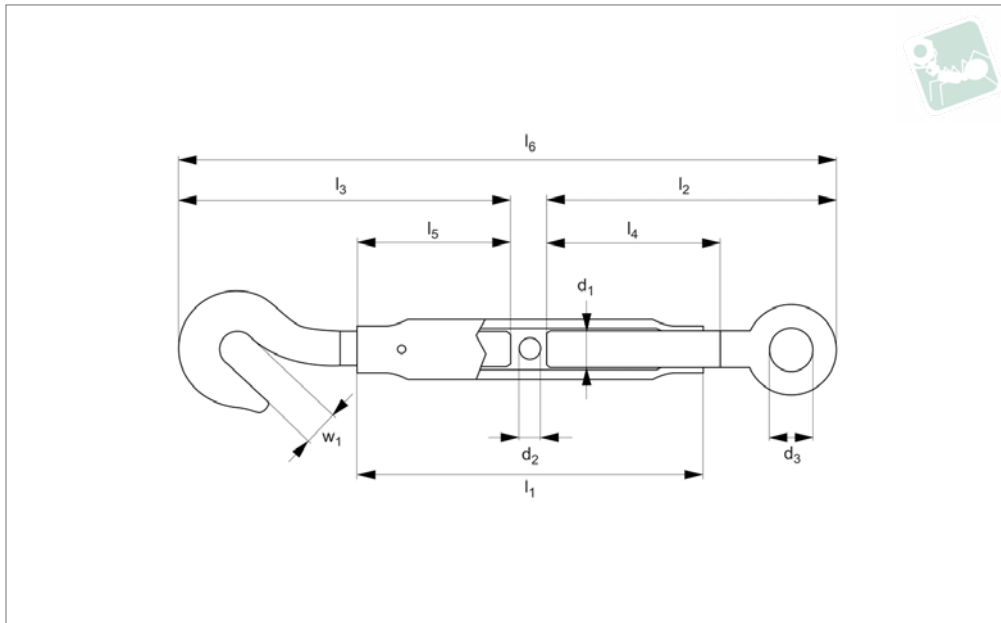
Order No.	d_1	l_1	d_2	d_3	l_2	l_3	l_4 min.	l_4 max.	Weight kg
LP1308.006	M 6	110	6	10	74	50	154	244	0.16
LP1308.008	M 8	110	8	11	80	52	168	253	0.18
LP1308.010	M10	125	8	15	95	59	199	294	0.28
LP1308.012	M12	125	10	17	107	66	225	315	0.42
LP1308.016	M16	170	10	22	146	85	302	422	0.91
LP1308.020	M20	200	12	24	170	100	352	492	1.36
LP1308.024	M24	255	12	33	213	134	437	619	2.60
LP1308.030	M30	255	16	39	255	150	527	687	3.75
LP1308.036	M36	295	16	37	260	150	537	717	6.35
LP1308.042	M42	330	20	48	285	165	590	790	10.50
LP1308.048	M48	355	20	58	335	185	691	901	15.50



Hook & Eye Pipe Body Turnbuckles

steel

Turnbuckles



LP1312

TURNBUCKLES

Material

Steel (1.0037 up to M48 then 1.0052), zinc-plated.

Hot dip galvanized body, available on request providing increased protection against corrosion. Please add -FZ for hot dip galvanized, e.g. LP1304.006-FZ.

Technical Notes

To DIN 1478.

Tips

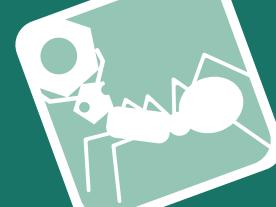
Turnbuckles consist of a metal frame with right hand thread one end and left hand thread the other end. Used for tensioning

by rotating turnbuckle body without twisting attached rope or cable.

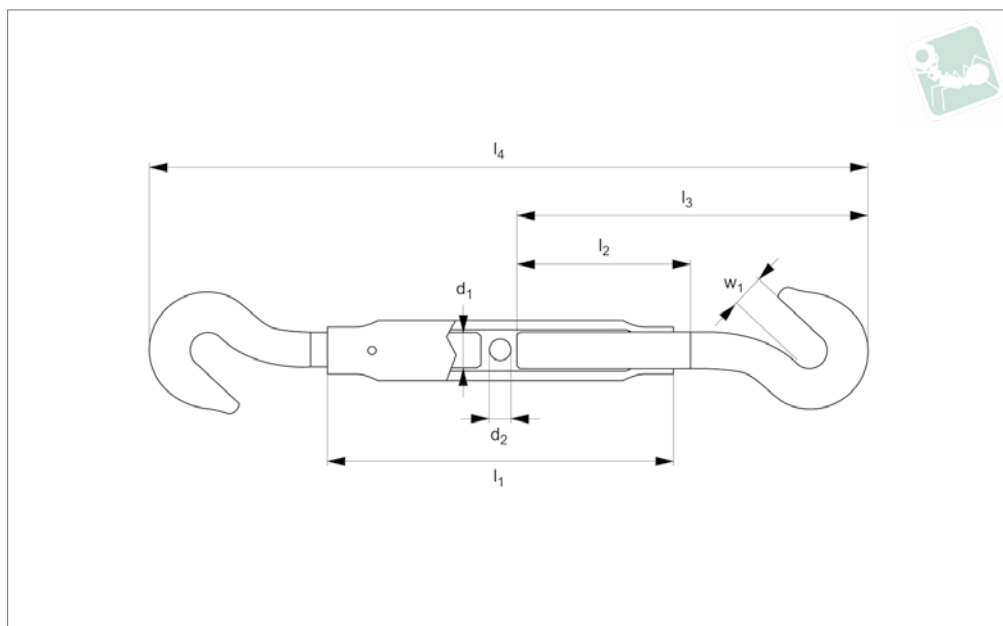
Important Notes

Turnbuckles are not to be used for lifting. Only suitable for use in tension.

Order No.	d ₁	l ₁	d ₂	d ₃	l ₂	l ₃	l ₄	l ₅	l ₆ min.	l ₆ max.	w ₁	Weight kg
LP1312.006	M 6	110	6	10	74	77.0	50	50	157	247	9.5	0.16
LP1312.008	M 8	110	8	11	80	98.0	52	60	186	271	11.0	0.19
LP1312.010	M10	125	8	15	95	116.5	59	73	220	315	14.0	0.29
LP1312.012	M12	125	10	17	107	146.0	66	90	264	354	18.0	0.45
LP1312.016	M16	170	10	22	146	165.0	85	100	321	441	19.0	0.96
LP1312.020	M20	200	12	24	170	180.0	100	105	362	502	21.0	1.38
LP1312.024	M24	255	12	33	213	225.0	134	135	450	630	29.0	2.73
LP1312.030	M30	255	16	39	255	255.0	150	140	527	687	31.0	3.92
LP1312.036	M36	295	16	37	260	300.0	150	170	577	757	35.0	6.60



LP1316



Material

Steel (1.0037 up to M48 then 1.0052), zinc-plated.

Hot dip galvanized body, available on request providing increased protection against corrosion. Please add -FZ for hot dip galvanized, e.g. LP1304.006-FZ.

Technical Notes

To DIN 1478.

Tips

Turnbuckles consist of a metal frame with right hand thread one end and left hand thread the other end. Used for tensioning

by rotating turnbuckle body without twisting attached rope or cable.

Important Notes

Turnbuckles are not to be used for lifting. Only suitable for use in tension.

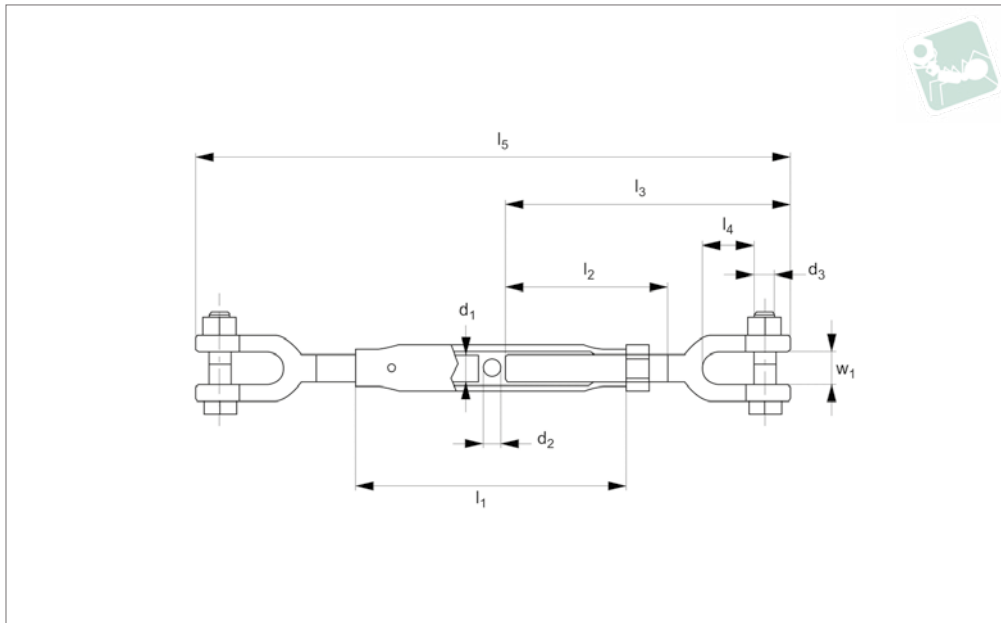
Order No.	d ₁	l ₁	d ₂	l ₂	l ₃	l ₄ min.	l ₄ max.	w ₁	Weight kg
LP1316.006	M 6	110	6	50	77.0	160	250	9.5	0.16
LP1316.008	M 8	110	8	60	98.0	204	289	11.0	0.20
LP1316.010	M10	125	8	73	116.5	241	336	14.0	0.30
LP1316.012	M12	125	10	90	146.0	303	393	18.0	0.47
LP1316.016	M16	170	10	100	165.0	340	460	19.0	1.01
LP1316.020	M20	200	12	105	180.0	372	512	21.0	1.40
LP1316.024	M24	255	12	135	225.0	463	543	29.0	2.86
LP1316.030	M30	255	16	140	225.0	527	687	31.0	4.09
LP1316.036	M36	295	16	170	300.0	617	697	35.0	6.85



Jaw End Pipe Body Turnbuckles

steel

Turnbuckles



LP1320

TURNBUCKLES

Material

Steel body(1.0037) Jaws (1.0503), zinc-plated.

Hot dip galvanized body, available on request providing increased protection against corrosion. Please add -FZ for hot dip galvanized, e.g. LP1304.006-FZ.

Technical Notes

To DIN 1478.

Tips

Turnbuckles consist of a metal frame with right hand thread one end and left hand thread the other end. Used for tensioning

by rotating turnbuckle body without twisting attached rope or cable.

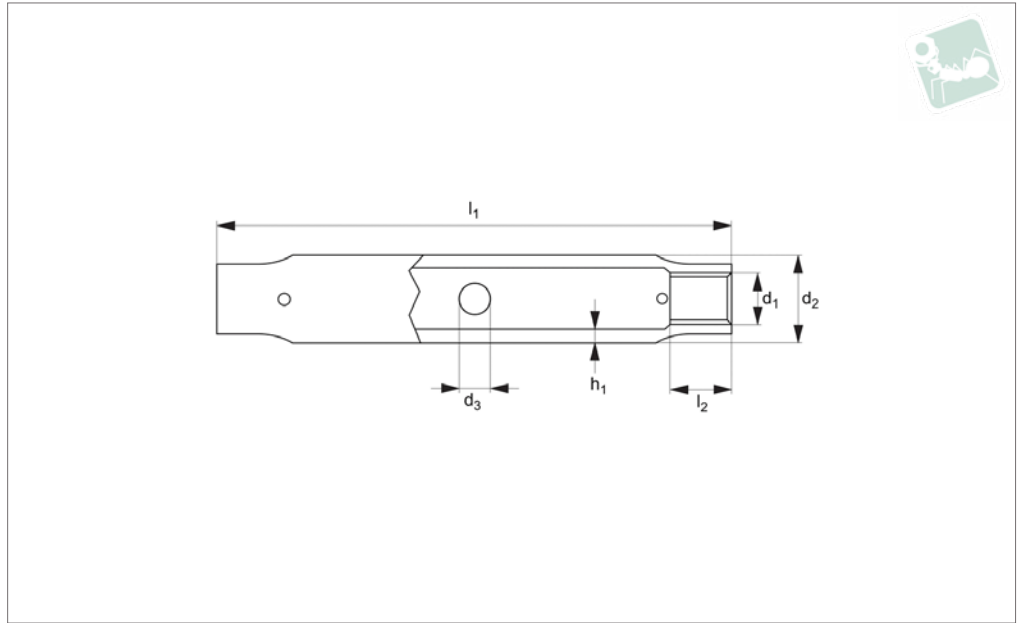
Important Notes

Turnbuckles are not to be used for lifting. Only suitable for use in tension.

Order No.	d ₁	l ₁	d ₂	d ₃	l ₂	l ₃	l ₄	l ₅ min.	l ₅ max.	w ₁	Weight kg
LP1320.008	M 8	110	8.5	8.5	68	125	28.75	258	343	9.0	0.30
LP1320.010	M10	125	8.5	8.5	82	139	29.25	287	382	10.7	0.43
LP1320.012	M12	125	10.5	10.5	90	160	44.75	331	421	15.5	0.69
LP1320.016	M16	170	10.5	12.5	102	186	45.25	382	502	20.0	1.31
LP1320.020	M20	200	12.5	17.0	115	205	59.5	422	562	23.5	2.02
LP1320.024	M24	255	12.5	20.5	125	240	62.75	493	673	26.0	3.9
LP1320.030	M30	255	16.5	25.0	150	290	89.5	613	773	34.0	7.01



LP1302



Material

Stainless steel (A4)

Technical Notes

To DIN 1478.

Tips

Turnbuckles consist of a metal frame with

right hand thread one end and left hand thread the other end. Used for tensioning by rotating turnbuckle body without twisting attached rope or cable.

Only suitable for use in tension.

Important Notes

Turnbuckles are not to be used for lifting.

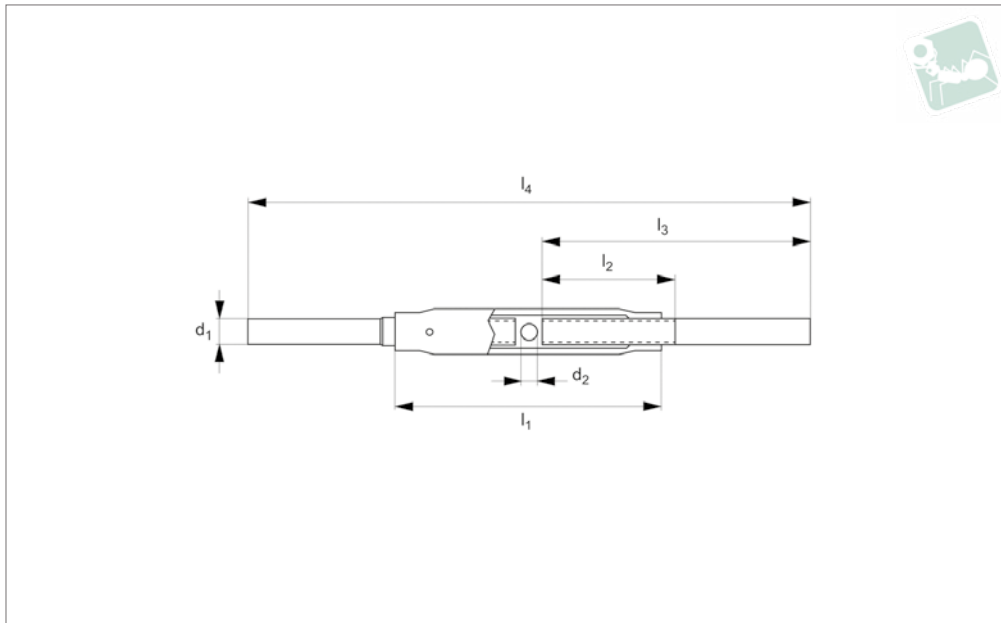
Order No.	d ₁	d ₂	d ₃ min.	d ₃ max.	h ₁	l ₁	l ₂	Adjustment	Weight kg
LP1302.006	M 6	17.2	5.7	6.3	2.9	110	7.5	90	0.13
LP1302.008	M 8	17.2	7.5	8.5	3.6	110	10	85	0.13
LP1302.010	M10	21.3	7.5	8.5	4.0	125	12	95	0.18
LP1302.012	M12	25.0	9.5	10.5	4.0	125	15	90	0.25
LP1302.016	M16	30.0	9.5	10.5	4.5	170	20	120	0.45
LP1302.020	M20	33.7	11.5	12.5	5.0	200	24	140	0.56
LP1302.024	M24	42.4	11.5	12.5	5.6	255	29	180	1.08
LP1302.030	M30	51.0	15.5	16.5	6.3	255	36	160	1.61
LP1302.036	M36	63.5	15.5	16.5	8.0	295	43	180	2.35



Stud End Pipe Body Turnbuckles

stainless steel

Turnbuckles



LP1306

TURNBUCKLES

Material
Stainless steel (A4)

Technical Notes
To DIN 1478.

Tips
Turnbuckles consist of a metal frame with

right hand thread one end and left hand thread the other end. Used for tensioning by rotating turnbuckle body without twisting attached rope or cable.

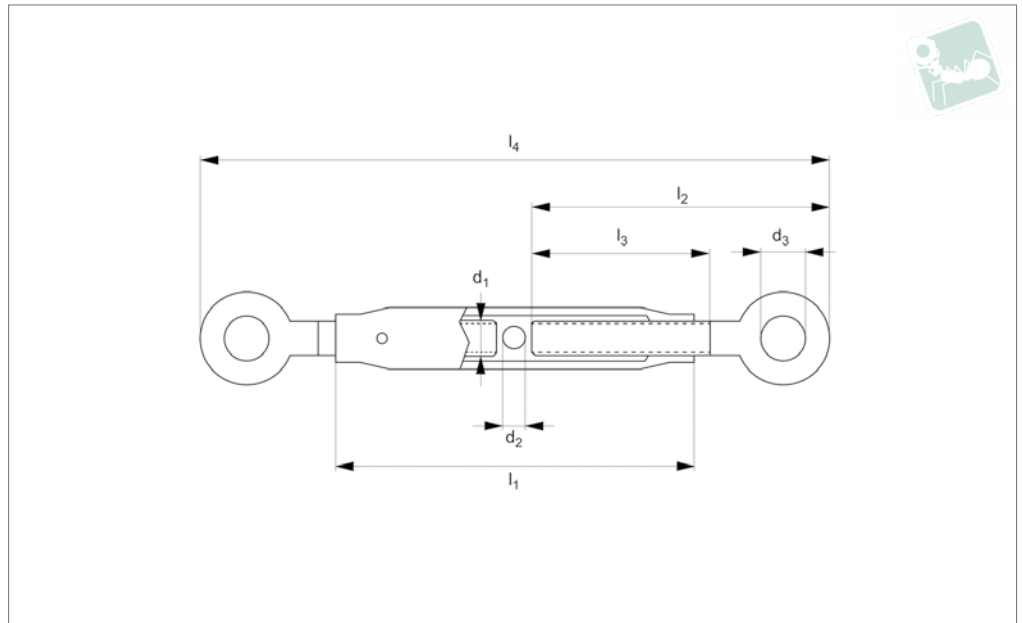
Important Notes
Turnbuckles are not to be used for lifting.

Only suitable for use in tension.

Order No.	d ₁	d ₂	l ₁	l ₂	l ₃	l ₄ min.	l ₄ max.	Weight kg
LP1306.006	M 6	6	110	60	120	246	336	0.17
LP1306.008	M 8	8	110	65	120	248	333	0.20
LP1306.010	M10	8	125	75	150	309	404	0.32
LP1306.012	M12	10	125	75	150	311	401	0.45
LP1306.016	M16	10	170	100	200	410	530	0.97
LP1306.020	M20	12	200	120	220	452	592	1.48
LP1306.024	M24	12	255	150	260	533	713	2.62
LP1306.030	M30	16	255	160	260	537	697	4.01
LP1306.036	M36	16	295	180	300	617	797	6.35



LP1310



Material
Stainless steel (A4)

Technical Notes
To DIN 1478.

Tips
Turnbuckles consist of a metal frame with

right hand thread one end and left hand thread the other end. Used for tensioning by rotating turnbuckle body without twisting attached rope or cable.

Only suitable for use in tension.

Important Notes
Turnbuckles are not to be used for lifting.

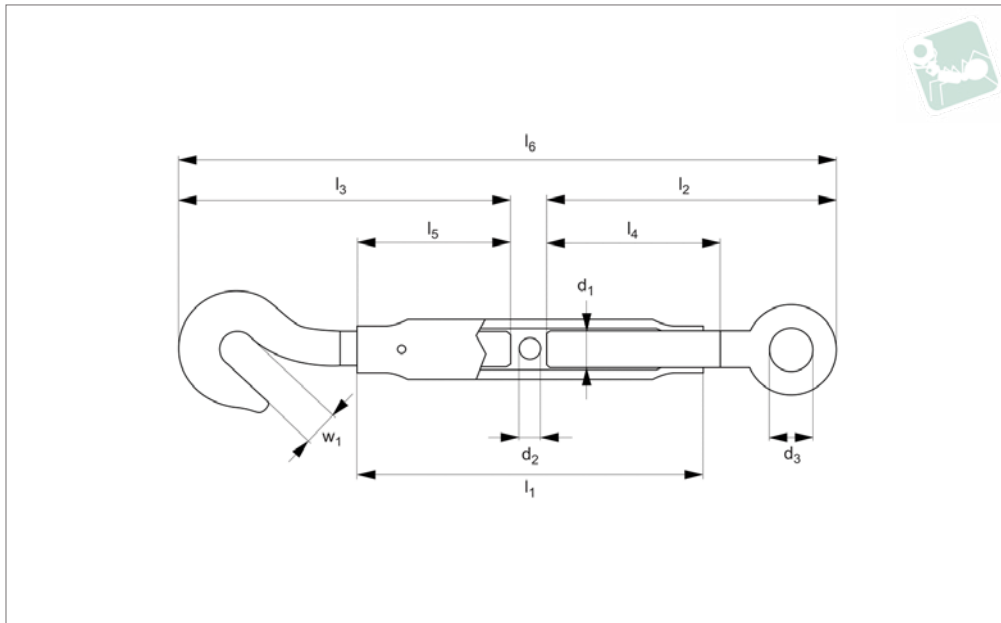
Order No.	d ₁	d ₂	d ₃	l ₁	l ₂	l ₃	l ₄ min.	l ₄ max.	Weight kg
LP1310.006	M 6	6	10	110	74	50	154	244	0.16
LP1310.008	M 8	8	11	110	80	52	168	253	0.18
LP1310.010	M10	8	15	125	95	59	199	294	0.28
LP1310.012	M12	10	17	125	107	66	225	315	0.42
LP1310.016	M16	10	22	170	146	85	302	422	0.91
LP1310.020	M20	12	24	200	170	100	352	492	1.36



Hook & Eye Pipe Body Turnbuckles

stainless steel

Turnbuckles



LP1314

TURNBUCKLES

Material

Stainless steel (A4)

Technical Notes

To DIN 1478.

Tips

Turnbuckles consist of a metal frame with

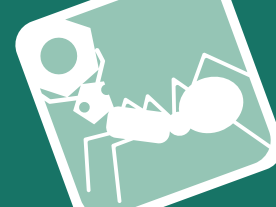
right hand thread one end and left hand thread the other end. Used for tensioning by rotating turnbuckle body without twisting attached rope or cable.

Only suitable for use in tension.

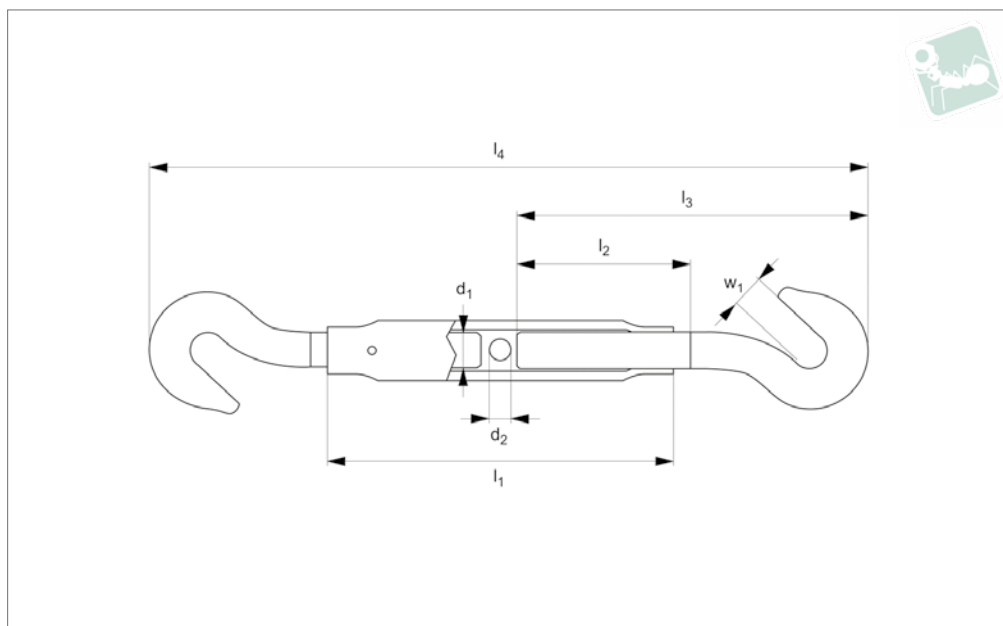
Important Notes

Turnbuckles are not to be used for lifting.

Order No.	d ₁	d ₂	d ₃	l ₁	l ₂	l ₃	l ₄	l ₅	l ₆ min.	l ₆ max.	w ₁	Weight kg
LP1314.006	M 6	6	10	110	74	77.0	50	50	157	247	9.5	0.16
LP1314.008	M 8	8	11	110	80	98.0	52	60	186	271	11.0	0.19
LP1314.010	M10	8	15	125	95	116.5	59	73	220	315	14.0	0.29
LP1314.012	M12	10	17	125	107	146.0	66	90	264	354	18.0	0.45
LP1314.016	M16	10	22	170	146	165.0	85	100	321	441	19.0	0.96



LP1318



Material
Stainless steel (A4)

Technical Notes
To DIN 1478.

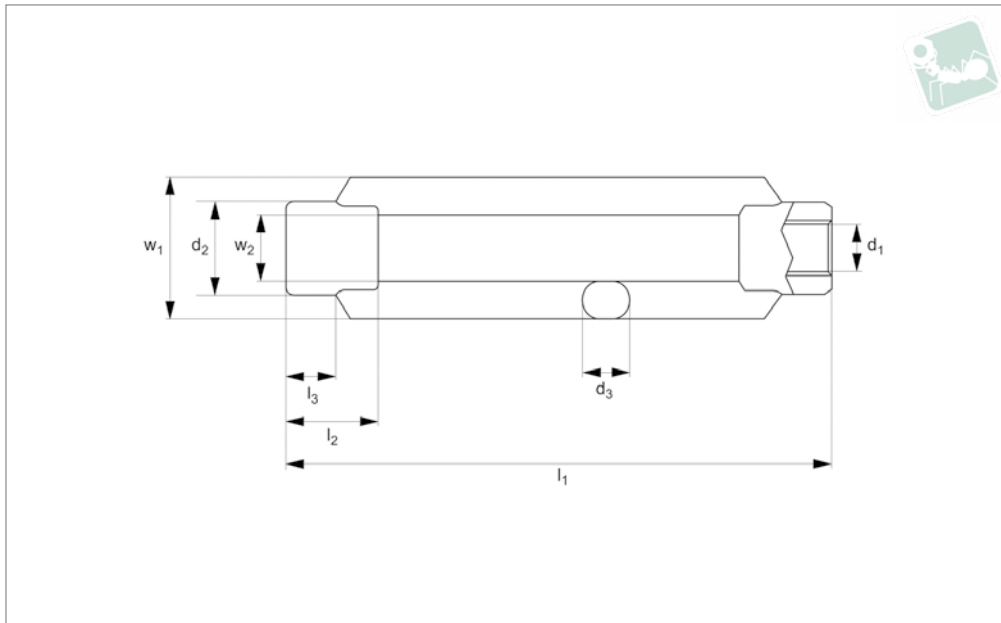
Tips
Turnbuckles consist of a metal frame with

right hand thread one end and left hand thread the other end. Used for tensioning by rotating turnbuckle body without twisting attached rope or cable.

Only suitable for use in tension.

Important Notes
Turnbuckles are not to be used for lifting.

Order No.	d ₁	d ₂	l ₁	l ₂	l ₃	l ₄ min.	l ₄ max.	w ₁	Weight kg
LP1318.006	M 6	6	110	50	77.0	160	250	9.5	0.16
LP1318.008	M 8	8	110	60	98.0	204	289	11.0	0.20
LP1318.010	M10	8	125	73	116.5	241	336	14.0	0.30
LP1318.012	M12	10	125	90	146.0	303	393	18.0	0.47
LP1318.016	M16	10	170	100	165.0	340	460	19.0	1.01



LP1330

TURNBUCKLES

Material

Steel (1.0037), zinc-plated.
Hot dip galvanized, available on request providing increased protection against corrosion.

Technical Notes

To DIN 1480.

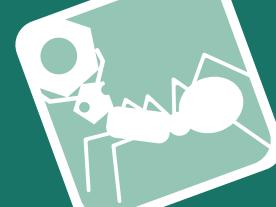
Tips

Turnbuckles consist of a metal frame with right hand thread one end and left hand thread the other end. Used for tensioning by rotating turnbuckle body without twisting attached rope or cable.

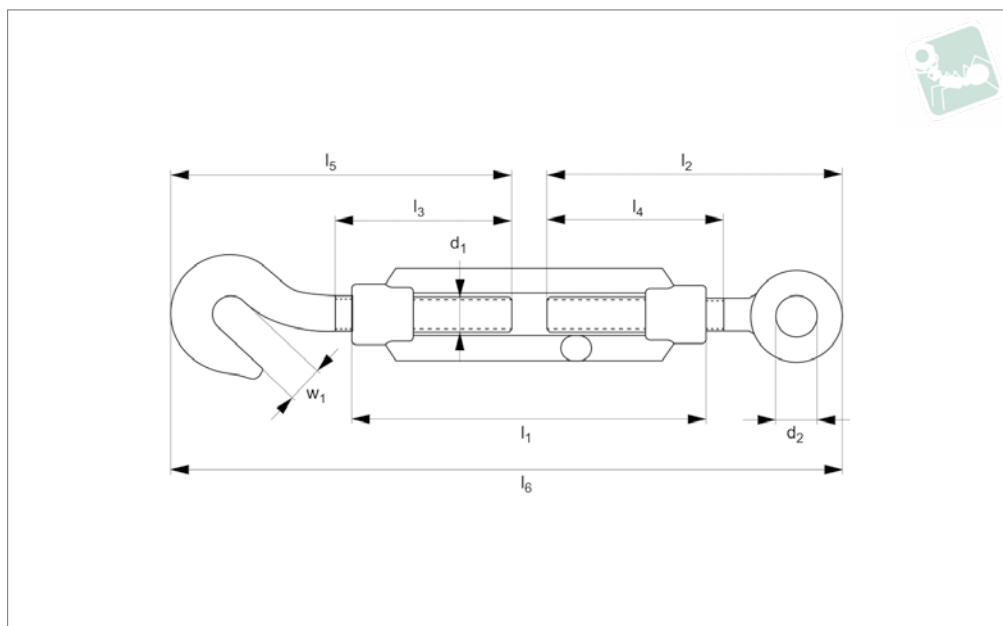
Important Notes

Turnbuckles are not to be used for lifting. Only suitable for use in tension.

Order No.	d_1	l_1	l_2	l_3	d_2	d_3	w_1	w_2	Adjustment	Weight kg
LP1330.006	M 6	110	12	6	12	6	19	9	80	0.06
LP1330.008	M 8	110	15	8	15	8	23	11	75	0.09
LP1330.010	M10	125	18	9	18	9	30	14	85	0.15
LP1330.012	M12	125	21	11	21	11	34	16	80	0.20
LP1330.016	M16	170	27	14	27	14	42	20	110	0.44
LP1330.020	M20	200	34	17	34	17	52	24	130	0.44
LP1330.024	M24	255	39	20	39	20	60	28	170	1.20
LP1330.030	M30	255	45	23	45	23	74	34	160	1.80
LP1330.036	M36	295	55	28	55	28	86	40	180	3.20
LP1330.042	M42	330	63	32	63	32	104	50	200	4.50
LP1330.048	M48	355	78	39	80	40	135	65	195	9.10
LP1330.056	M56	355	78	39	80	40	135	65	195	8.00



LP1350



Material

Steel (1.0037), zinc-plated.
Hot dip galvanized body, available on request providing increased protection against corrosion. Please add -FZ for hot dip galvanized, e.g. LP1304.006-FZ.

Technical Notes

To DIN 1480 hook & eye.

Tips

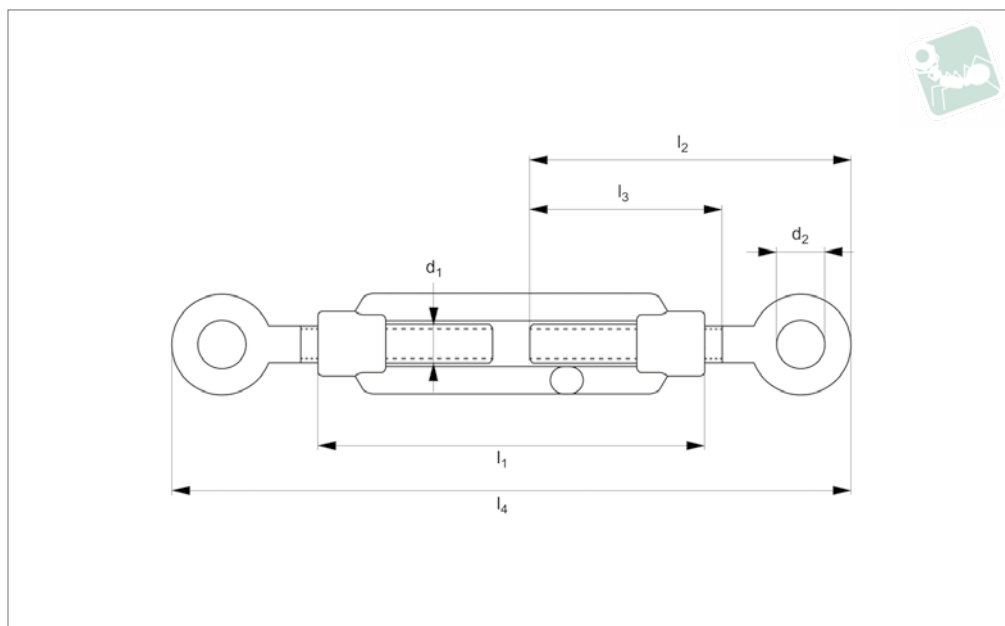
Turnbuckles consist of a metal frame with right hand thread one end and left hand thread the other end. Used for tensioning by rotating turnbuckle body without twisting attached rope or cable.

Only suitable for use in tension.

Important Notes

Turnbuckles are not to be used for lifting.

Order No.	d_1	l_1	l_2	l_3	l_4	d_2	l_5	l_6 min.	l_6 max.	w_1	Weight kg
LP1350.006	M 6	110	74	50	50	10	77.0	151	231	8.0	0.09
LP1350.008	M 8	110	80	60	52	11	98.0	172	253	10.0	0.15
LP1350.010	M10	125	95	73	59	15	116.5	212	297	12.5	0.26
LP1350.012	M12	125	107	90	66	17	146.0	264	344	16.0	0.40
LP1350.016	M16	170	146	100	85	22	165.0	311	421	16.0	0.95
LP1350.020	M20	200	170	105	100	24	180.0	350	480	18.0	1.64
LP1350.024	M24	255	213	135	120	33	225.0	439	609	30.0	2.85
LP1350.030	M30	255	255	140	135	39	255.0	511	671	30.0	4.11
LP1350.036	M36	295	260	170	140	37	300.0	561	741	32.0	7.45



LP1340

TURNBUCKLES

Material

Steel (1.0037), zinc-plated.
Hot dip galvanized body, available on request providing increased protection against corrosion. Please add -FZ for hot dip galvanized, e.g. LP1340.006-FZ.

Technical Notes

To DIN 1480 eye to eye.

Tips

Turnbuckles consist of a metal frame with right hand thread one end and left hand thread the other end. Used for tensioning by rotating turnbuckle body without twisting attached rope or cable.

Only suitable for use in tension.

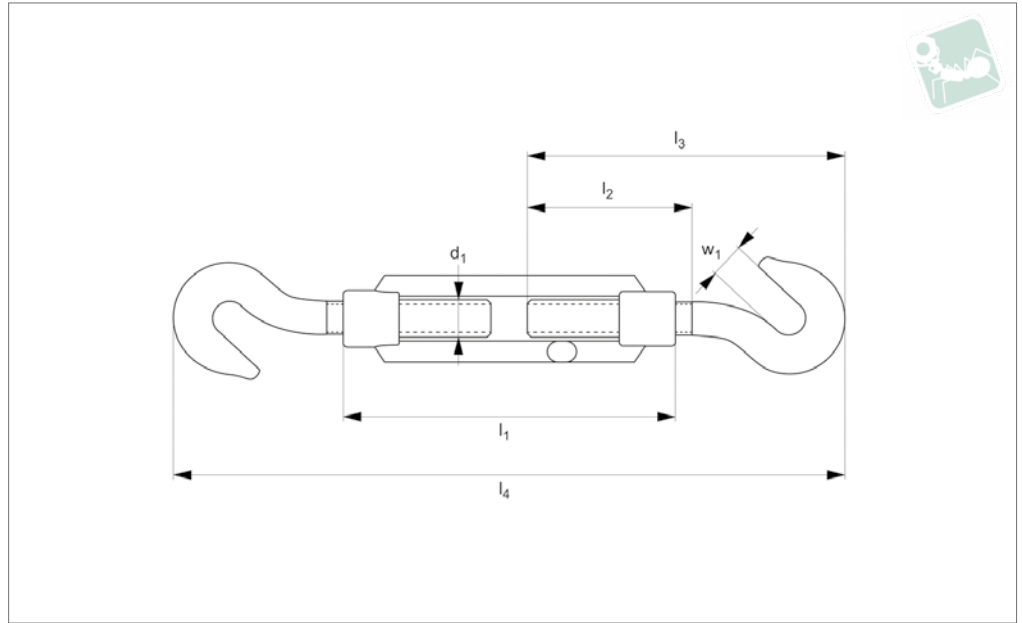
Important Notes

Turnbuckles are not to be used for lifting.

Order No.	d ₁	l ₁	l ₂	l ₃	l ₄ min.	l ₄ max.	d ₂	Weight kg
LP1340.006	M 6	110	74	50	148	228	10	0.09
LP1340.008	M 8	110	80	52	160	235	11	0.14
LP1340.010	M10	125	95	59	191	276	15	0.25
LP1340.012	M12	125	107	66	215	295	17	0.37
LP1340.016	M16	170	146	85	292	402	22	0.90
LP1340.020	M20	200	170	100	340	470	24	1.62
LP1340.024	M24	255	213	134	427	597	33	2.72
LP1340.030	M30	255	255	150	511	671	39	3.94
LP1340.036	M36	295	260	150	521	701	37	7.20
LP1340.042	M42	330	285	165	570	770	48	10.70
LP1340.048	M48	355	335	185	671	866	58	19.10



LP1344



Material

Steel (1.0037), zinc-plated.
Hot dip galvanized body, available on request providing increased protection against corrosion. Please add -FZ for hot dip galvanized, e.g. LP1304.006-FZ.

Technical Notes

To DIN 1480 hook to hook.

Tips

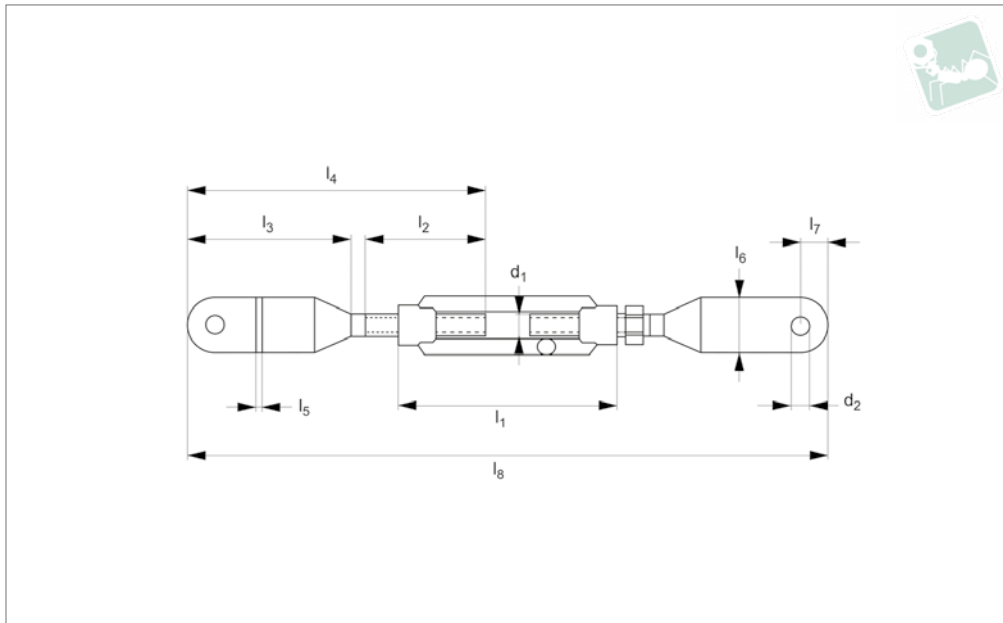
Turnbuckles consist of a metal frame with right hand thread one end and left hand thread the other end. Used for tensioning by rotating turnbuckle body without twisting attached rope or cable.

Only suitable for use in tension.

Important Notes

Turnbuckles are not to be used for lifting.

Order No.	d ₁	l ₁	l ₂	l ₃	l ₄ min.	l ₄ max.	w ₁	Weight kg
LP1344.006	M 6	110	50	77.0	154	234	8.0	0.09
LP1344.008	M 8	110	60	98.0	196	271	10.0	0.16
LP1344.010	M10	125	73	116.5	233	318	12.5	0.27
LP1344.012	M12	125	90	146.0	293	373	16.0	0.42
LP1344.016	M16	170	100	165.0	330	440	16.0	1.00
LP1344.020	M20	200	105	180.0	360	490	18.0	1.66
LP1344.024	M24	255	135	225.0	451	621	30.0	2.98
LP1344.030	M30	255	140	255.0	451	611	30.0	4.28
LP1344.036	M36	295	170	300.0	601	781	32.0	7.70



LP1338

TURNBUCKLES

Material

Steel (1.0037 up to M48 then 1.0052), zinc-plated.

Hot dip galvanized body, available on request providing increased protection against corrosion. Please add -FZ for hot dip galvanized, e.g. LP1304.006-FZ.

Technical Notes

To DIN 1480 plain ends.

Tips

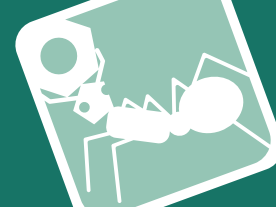
Turnbuckles consist of a metal frame with right hand thread one end and left hand thread the other end. Used for tensioning

by rotating turnbuckle body without twisting attached rope or cable.

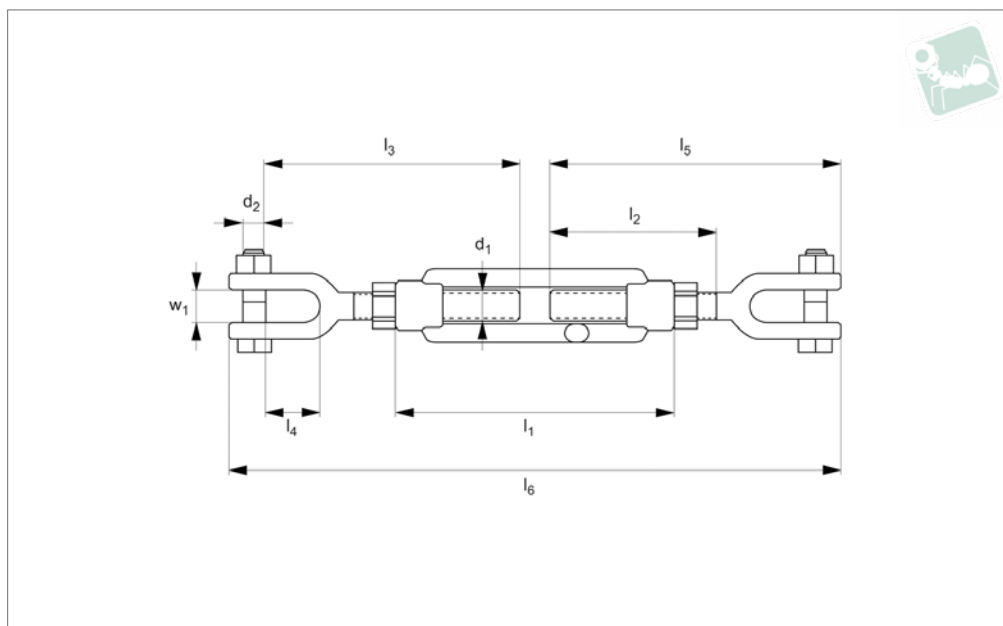
Important Notes

Turnbuckles are not to be used for lifting. Only suitable for use in tension.

Order No.	d_1	l_1	l_2	l_3	l_4	d_2	l_5	l_6	l_7	l_8 min.	l_8 max.	Weight kg
LP1338.008	M 8	110	75	50	125	9.0	4	20	11	250	325	0.19
LP1338.010	M10	110	90	60	150	10.5	4	25	13	300	385	0.30
LP1338.012	M12	125	91	74	165	13.0	5	30	16	331	411	0.48
LP1338.016	M16	125	105	135	240	14.0	8	40	20	481	591	1.14
LP1338.020	M20	200	105	135	240	17.0	9	44	26	480	610	1.84
LP1338.024	M24	255	160	145	305	22.0	10	70	43	611	781	3.10



LP1348



Material

Steel body (1.0037), jaws (1.0503), zinc-plated.

Hot dip galvanized body, available on request providing increased protection against corrosion. Please add -FZ for hot dip galvanized, e.g. LP1304.006-FZ.

Technical Notes

To DIN 1480 jaw to jaw.

Tips

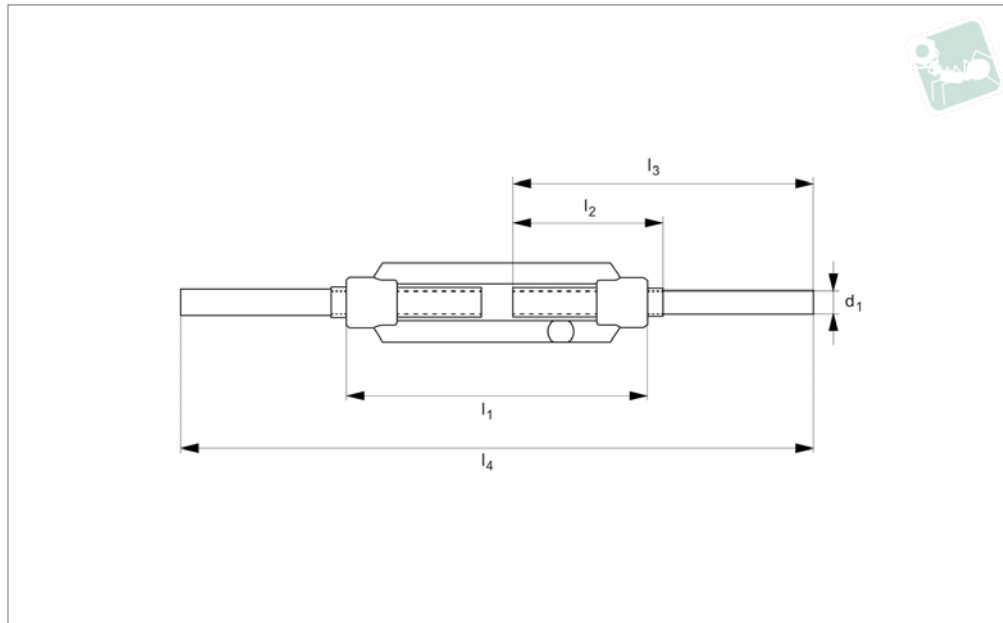
Turnbuckles consist of a metal frame with right hand thread one end and left hand thread the other end. Used for tensioning

by rotating turnbuckle body without twisting attached rope or cable.

Important Notes

Turnbuckles are not to be used for lifting. Only suitable for use in tension.

Order No.	d ₁	l ₁	l ₂	l ₃	l ₄	d ₂	l ₅	l ₆ min.	l ₆ max.	w	Weight kg
LP1348.008	M 8	110	68	116	28.75	8.5	125	250	325	9.0	0.14
LP1348.010	M10	125	82	130	29.25	8.5	139	279	364	10.7	0.26
LP1348.012	M12	125	90	150	44.75	10.5	160	321	401	15.5	0.40
LP1348.016	M16	170	102	172	45.25	12.5	186	372	482	20.0	0.64
LP1348.020	M20	200	115	185	59.50	17.5	205	410	540	23.5	1.30
LP1348.024	M24	255	125	215	62.75	20.5	240	481	651	29.0	2.28
LP1348.030	M30	255	150	255	89.50	25.5	290	581	741	34.0	4.02



LP1334

TURNBUCKLES

Material

Steel (1.0037), zinc-plated.
Hot dip galvanized body, available on request providing increased protection against corrosion. Please add -FZ for hot dip galvanized, e.g. LP1304.006-FZ.

Technical Notes

To DIN 1480 stub end.

Tips

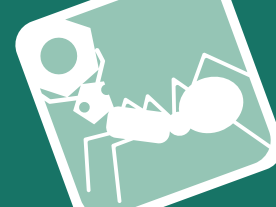
Turnbuckles consist of a metal frame with right hand thread one end and left hand thread the other end. Used for tensioning by rotating turnbuckle body without twisting attached rope or cable.

Only suitable for use in tension.

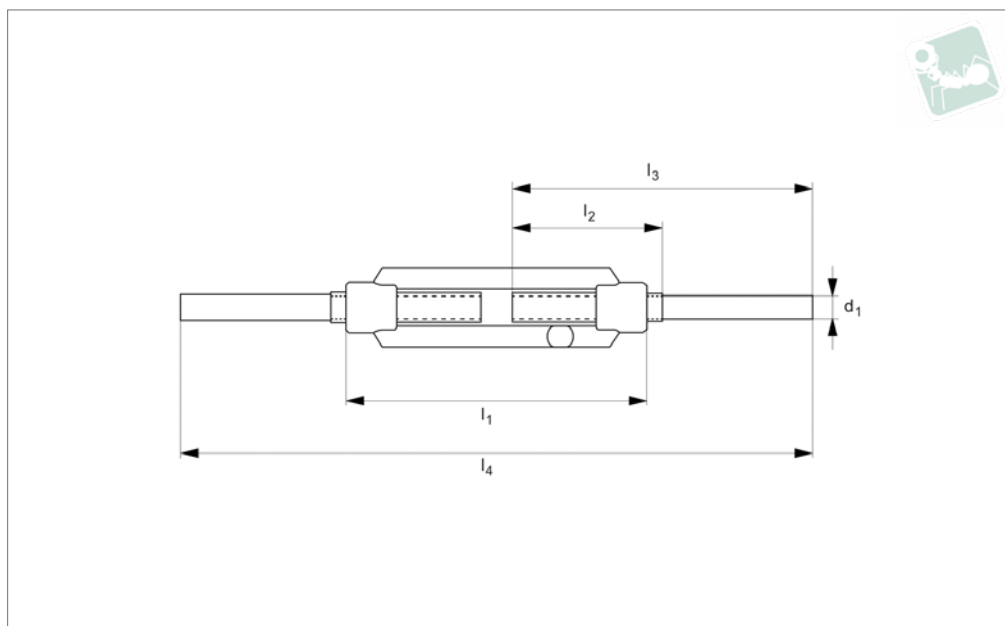
Important Notes

Turnbuckles are not to be used for lifting.

Order No.	d ₁	l ₁	l ₂	l ₃	l ₄ min.	l ₄ max.	Weight kg
LP1334.006	M 6	110	60	120	240	320	0.10
LP1334.008	M 8	110	65	120	240	315	0.16
LP1334.010	M10	125	75	150	301	386	0.30
LP1334.012	M12	125	75	150	301	381	0.40
LP1334.016	M16	170	100	200	400	510	0.96
LP1334.020	M20	200	120	220	440	570	1.74
LP1334.024	M24	255	150	260	521	691	2.74
LP1334.030	M30	255	160	260	521	681	4.20
LP1334.036	M36	295	180	300	601	781	7.20
LP1334.042	M42	330	200	350	700	900	10.70
LP1334.048	M48	355	220	380	761	956	17.90
LP1334.056	M56	355	230	380	761	956	20.00



LP1336



Material
Stainless steel (A4).

Technical Notes
To DIN 1480 stub end.

Tips
Turnbuckles consist of a metal frame with

right hand thread one end and left hand thread the other end. Used for tensioning by rotating turnbuckle body without twisting attached rope or cable.

Only suitable for use in tension.

Important Notes
Turnbuckles are not to be used for lifting.

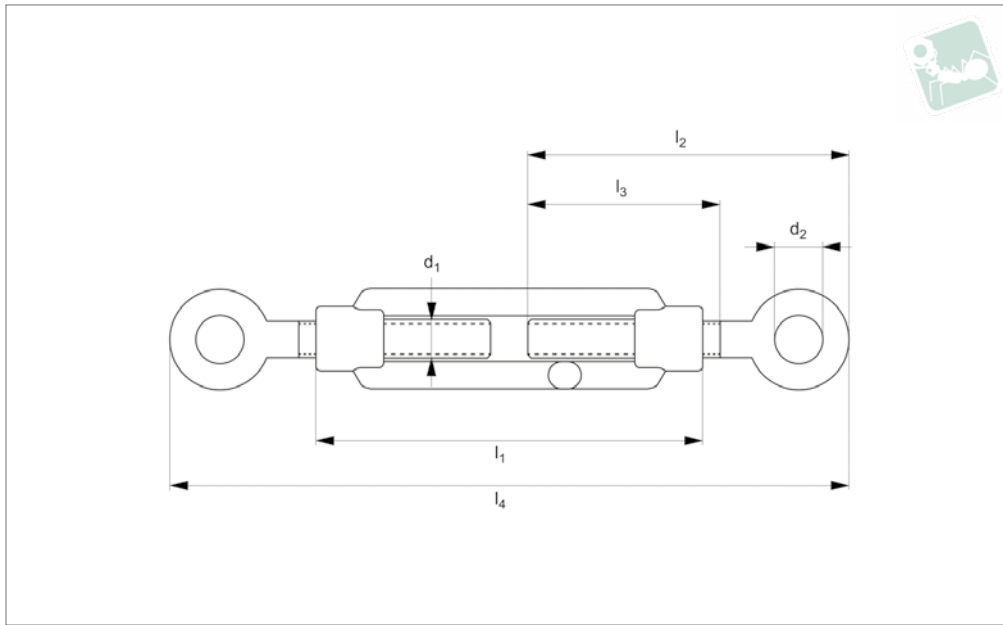
Order No.	d_1	l_1	l_2	l_3	l_4 min.	l_4 max.	Weight kg
LP1336.006	M 6	110	60	120	240	320	0.10
LP1336.008	M 8	110	65	120	240	315	0.16
LP1336.010	M10	125	75	150	301	386	0.30
LP1336.012	M12	125	75	150	301	381	0.40
LP1336.016	M16	170	100	200	400	510	0.96
LP1336.020	M20	200	120	220	440	570	1.74
LP1336.024	M24	255	150	260	521	691	2.74



Eye End Turnbuckles

stainless steel

Turnbuckles



LP1342

TURNBUCKLES

Material

Stainless steel (A4).

Technical Notes

To DIN 1480 eye to eye.

Tips

Turnbuckles consist of a metal frame with

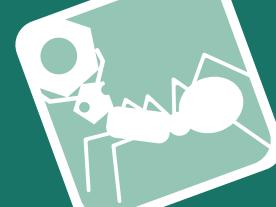
right hand thread one end and left hand thread the other end. Used for tensioning by rotating turnbuckle body without twisting attached rope or cable.

Only suitable for use in tension.

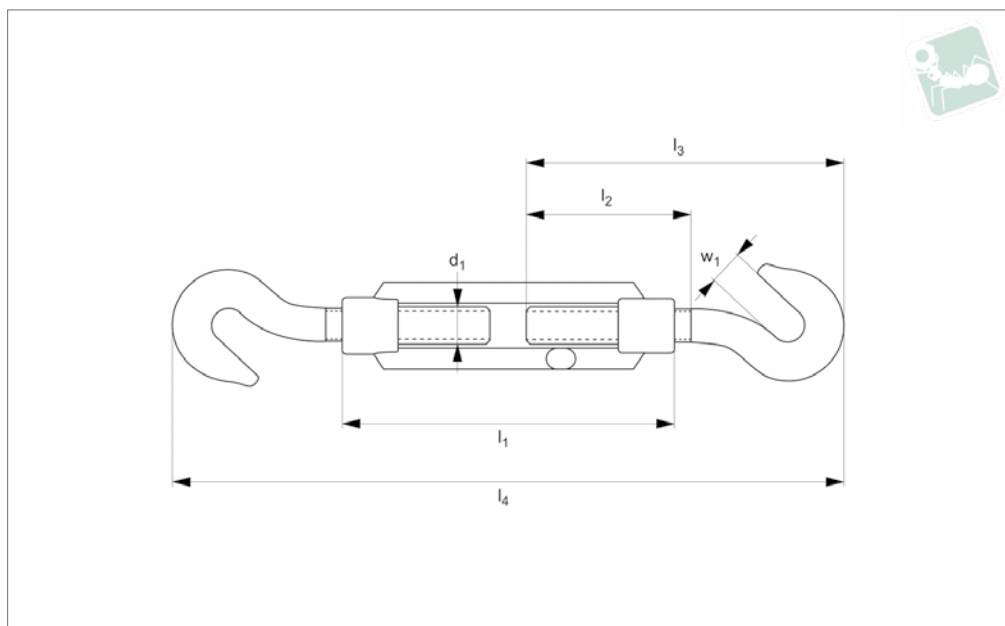
Important Notes

Turnbuckles are not to be used for lifting.

Order No.	d ₁	d ₂	l ₁	l ₂	l ₃	l ₄ min.	l ₄ max.	Weight kg
LP1342.006	M 6	10	110	74	50	148	228	0.09
LP1342.008	M 8	11	110	80	52	160	235	0.14
LP1342.010	M10	15	125	95	59	191	276	0.25
LP1342.012	M12	17	125	107	66	215	295	0.37
LP1342.016	M16	22	170	146	85	292	402	0.90
LP1342.020	M20	24	200	170	100	340	470	1.62



LP1346



Material
Stainless steel (A4).

Technical Notes
To DIN 1480 hook to hook.

Tips
Turnbuckles consist of a metal frame with

right hand thread one end and left hand thread the other end. Used for tensioning by rotating turnbuckle body without twisting attached rope or cable.

Only suitable for use in tension.

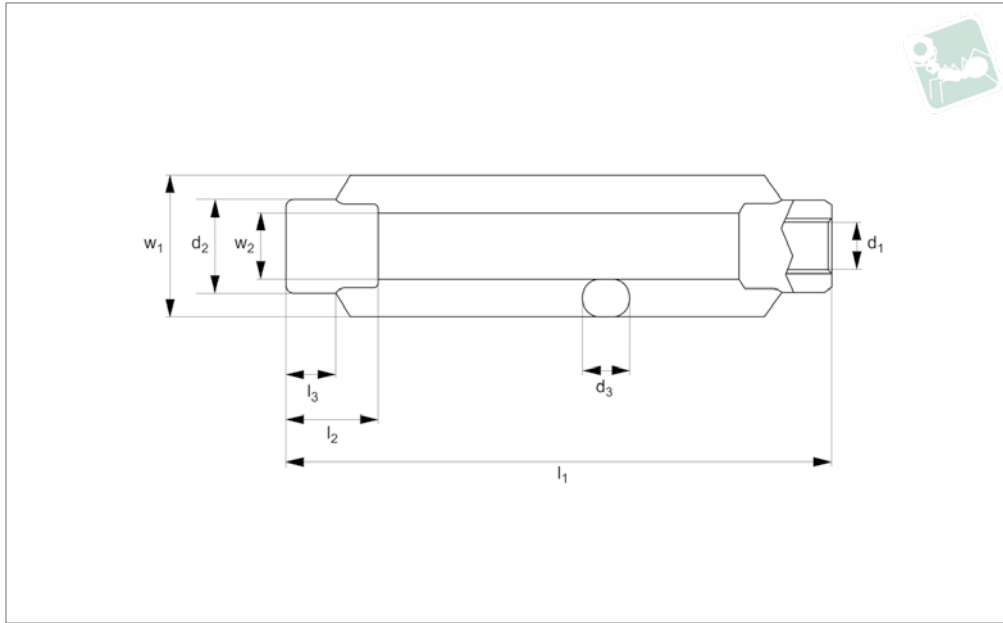
Important Notes
Turnbuckles are not to be used for lifting.

Order No.	d_1	l_1	l_2	l_3	l_4 min.	l_4 max.	w_1	Weight kg
LP1346.006	M 6	110	50	77.0	154	234	8.0	0.09
LP1346.008	M 8	110	60	98.0	196	271	10.0	0.16
LP1346.010	M10	125	73	116.5	233	318	12.5	0.27
LP1346.012	M12	125	90	146.0	293	373	16.0	0.42
LP1346.016	M16	170	100	165.0	330	440	16.0	1.00



Turnbuckles stainless steel

Turnbuckles



LP1332

TURNBUCKLES

Material

Stainless steel (A4).

Technical Notes

To DIN 1480.

Tips

Turnbuckles consist of a metal frame with

right hand thread one end and left hand thread the other end. Used for tensioning by rotating turnbuckle body without twisting attached rope or cable.

Only suitable for use in tension.

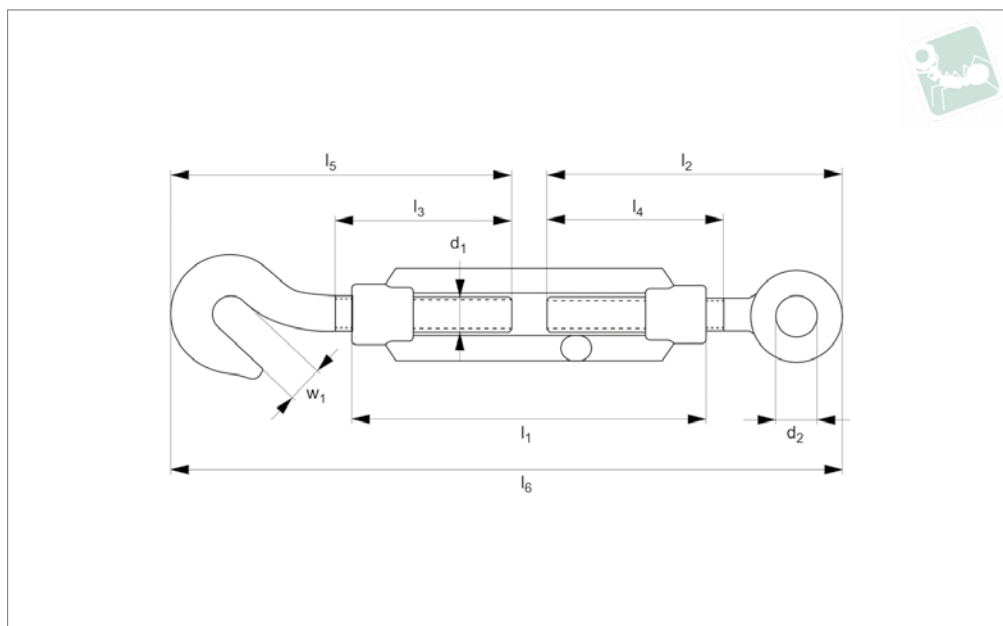
Important Notes

Turnbuckles are not to be used for lifting.

Order No.	d_1	d_2	d_3	l_1	l_2	l_3	w_1	w_2	Adjustment	Weight kg
LP1332.006	M 6	12	6	110	12	6	19	9	80	0.06
LP1332.008	M 8	15	8	110	15	8	23	11	75	0.09
LP1332.010	M10	18	9	125	18	9	30	14	85	0.15
LP1332.012	M12	21	11	125	21	11	34	16	80	0.20
LP1332.016	M16	27	14	170	27	14	42	20	110	0.44
LP1332.024	M24	39	20	255	39	20	60	28	170	1.20



LP1352



Material
Stainless steel (A4).

Technical Notes
To DIN 1480 hook & eye.

Tips
Turnbuckles consist of a metal frame with

right hand thread one end and left hand thread the other end. Used for tensioning by rotating turnbuckle body without twisting attached rope or cable.

Only suitable for use in tension.

Important Notes
Turnbuckles are not to be used for lifting.

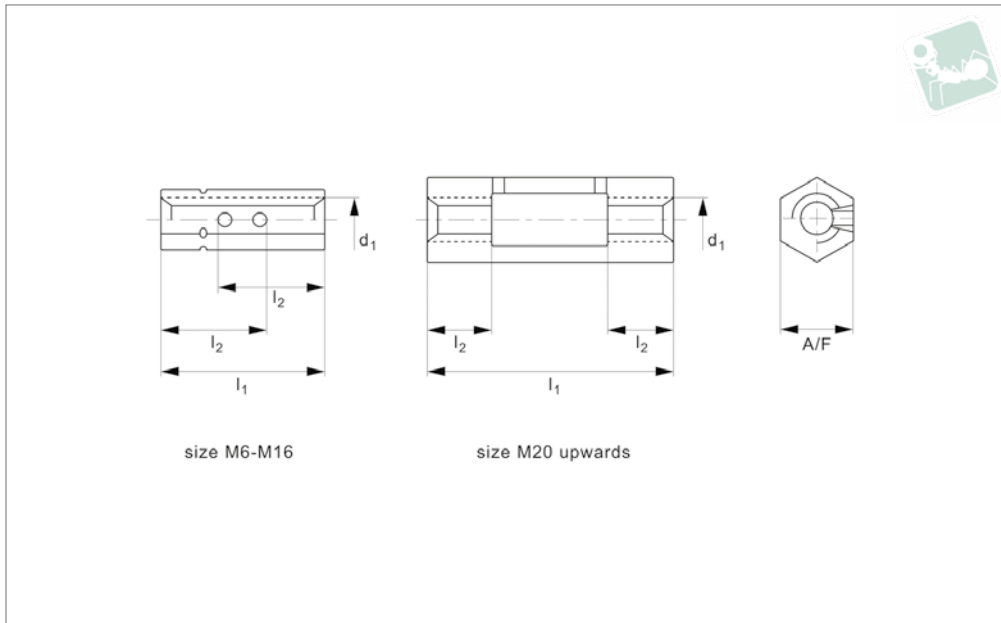
Order No.	d ₁	d ₂	l ₁	l ₂	l ₃	l ₄	l ₅	l ₆ min.	w ₁	Weight kg
LP1352.006	M 6	10	110	74	50	50	77.0	151	8.0	0.09
LP1352.008	M 8	11	110	80	52	60	98.0	178	10.0	0.15
LP1352.010	M10	15	125	95	59	73	116.5	212	12.5	0.26
LP1352.016	M16	22	170	146	85	100	165.0	311	16.0	0.95



Hexagonal Body Turnbuckles

steel

Turnbuckles



LP1325

TURNBUCKLES

Material

Steel (1.0037), zinc-plated.
Hot dip galvanized, available on request providing increased protection against corrosion. Please add -FZ for hot dip galvanized, e.g. LP1304.006-FZ.

Technical Notes

To DIN 1479.

Tips

Turnbuckles consist of a metal frame with

right hand thread one end and left hand thread the other end. Used for tensioning by rotating turnbuckle body without twisting attached rope or cable.

Important Notes

L2 dimension indicates the length of thread from each end that has been overcut.

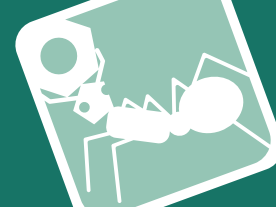
This means you can screw from one end a total of length l2. Please note if screwing in from both ends the length of thread is

half l2.

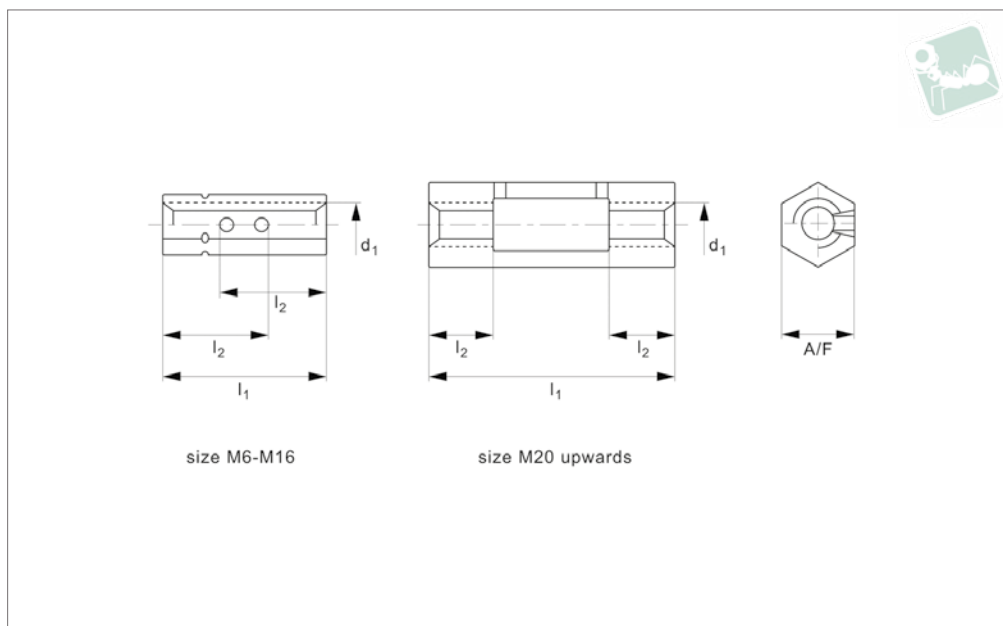
Sizes M6-M16, have overlapping thread, from M20 middle part is relieved.

Turnbuckles are not to be used for lifting. Only suitable for use in tension.

Order No.	d ₁	l ₁	l ₂	A/F	Adjustment	Weight kg
LP1325.006	M 6	30	22.5	10	15	0.02
LP1325.008	M 8	35	25.0	13	15	0.03
LP1325.010	M10	45	33.0	16	21	0.06
LP1325.012	M12	55	40.0	18	25	0.09
LP1325.016	M16	75	55.0	24	35	0.18
LP1325.020	M20	95	24.0	30	47	0.32
LP1325.024	M24	115	29.0	36	57	0.53
LP1325.030	M30	125	36.0	46	53	1.08



LP1326



Material
Stainless steel (A4).

Technical Notes
To DIN 1479.

Tips
Turnbuckles consist of a metal frame with right hand thread one end and left hand thread the other end. Used for tensioning

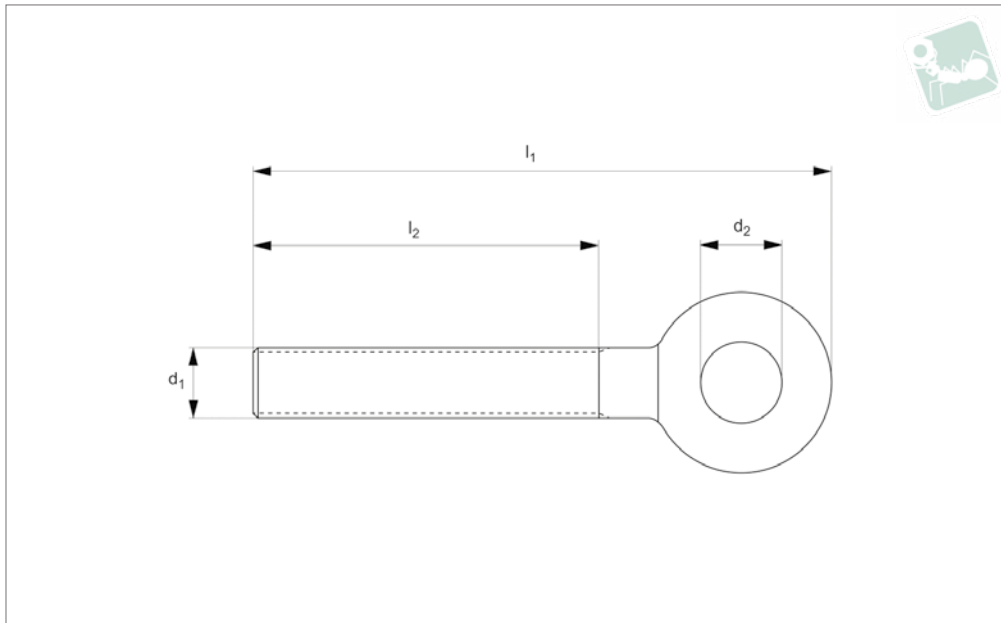
by rotating turnbuckle body without twisting attached rope or cable.

Important Notes
L2 dimension indicates the length of thread from each end that has been overcut.
This means you can screw from one end a total of length l2. Please note if screwing

in from both ends the length of thread is half l2.
Sizes M6-M16, have overlapping thread, from M20 middle part is relieved.

Turnbuckles are not to be used for lifting. Only suitable for use in tension.

Order No.	d ₁	l ₁	l ₂	A/F	Adjustment	Weight kg
LP1326.006	M 6	30	22.5	10	15	0.02
LP1326.008	M 8	35	25.0	13	15	0.03
LP1326.010	M10	45	33.0	16	21	0.06
LP1326.012	M12	55	40.0	18	25	0.09
LP1326.016	M16	75	55.0	24	35	0.18
LP1326.020	M20	95	24.0	30	47	0.32
LP1326.024	M24	115	29.0	36	57	0.53
LP1326.030	M30	125	36.0	46	53	1.08



LP1360

TURNBUCKLES

Material

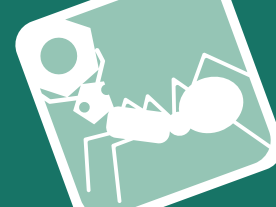
Steel (1.0037), zinc-plated.
Hot dip galvanized version, available on request providing increased protection

against corrosion. Please add -FZ for hot dip galvanized, e.g. LP1360.R006-FZ.

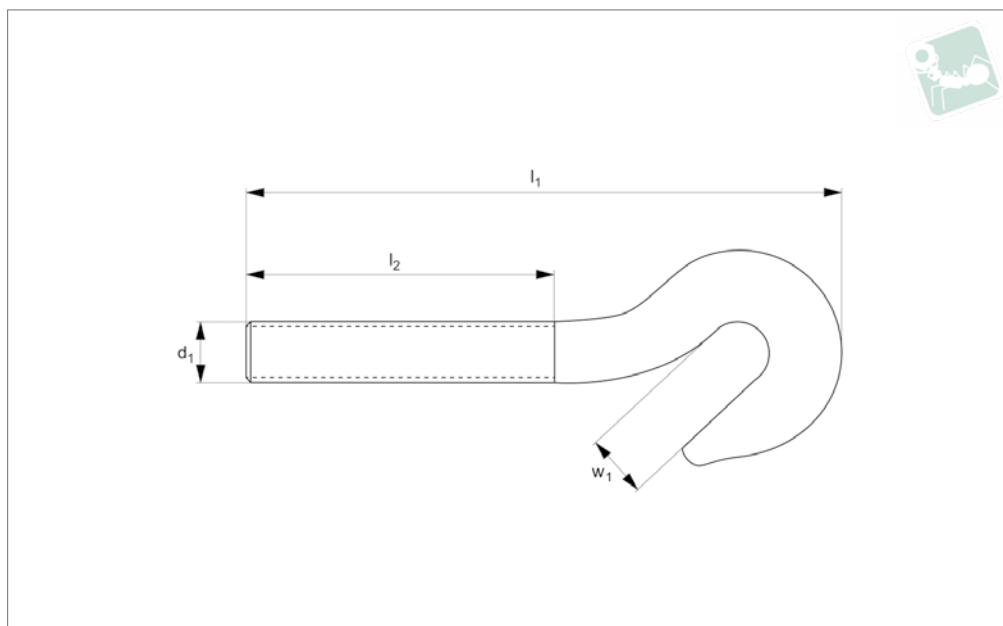
Important Notes

Turnbuckles are not to be used for lifting. Only suitable for use in tension.

Order No.	Thread hand	d_1	d_2	l_1	l_2	Weight kg
LP1360.R006	Right	M 6	10	74	50	0.015
LP1360.R008	Right	M 8	11	80	52	0.030
LP1360.R010	Right	M10	15	95	59	0.050
LP1360.R012	Right	M12	17	107	66	0.085
LP1360.R014	Right	M14	18	158	85	0.130
LP1360.R016	Right	M16	22	146	85	0.210
LP1360.R020	Right	M20	24	170	100	0.380
LP1360.R022	Right	M22	30	203	123	0.580
LP1360.R024	Right	M24	33	213	134	0.830
LP1360.R030	Right	M30	39	255	150	1.400
LP1360.R036	Right	M36	37	260	150	2.180
LP1360.R042	Right	M42	48	285	165	3.190
LP1360.R048	Right	M48	58	335	185	4.970
LP1360.L006	Left	M 6	10	74	50	0.015
LP1360.L008	Left	M 8	11	80	52	0.030
LP1360.L010	Left	M10	15	95	59	0.050
LP1360.L012	Left	M12	17	107	66	0.085
LP1360.L014	Left	M14	18	158	85	0.130
LP1360.L016	Left	M16	22	146	85	0.210
LP1360.L020	Left	M20	24	170	100	0.380
LP1360.L022	Left	M22	30	203	123	0.580
LP1360.L024	Left	M24	33	213	134	0.830
LP1360.L030	Left	M30	39	255	150	1.400
LP1360.L036	Left	M36	37	260	150	2.180
LP1360.L042	Left	M42	48	285	165	3.190
LP1360.L048	Left	M48	58	335	185	4.970



LP1362

**Material**

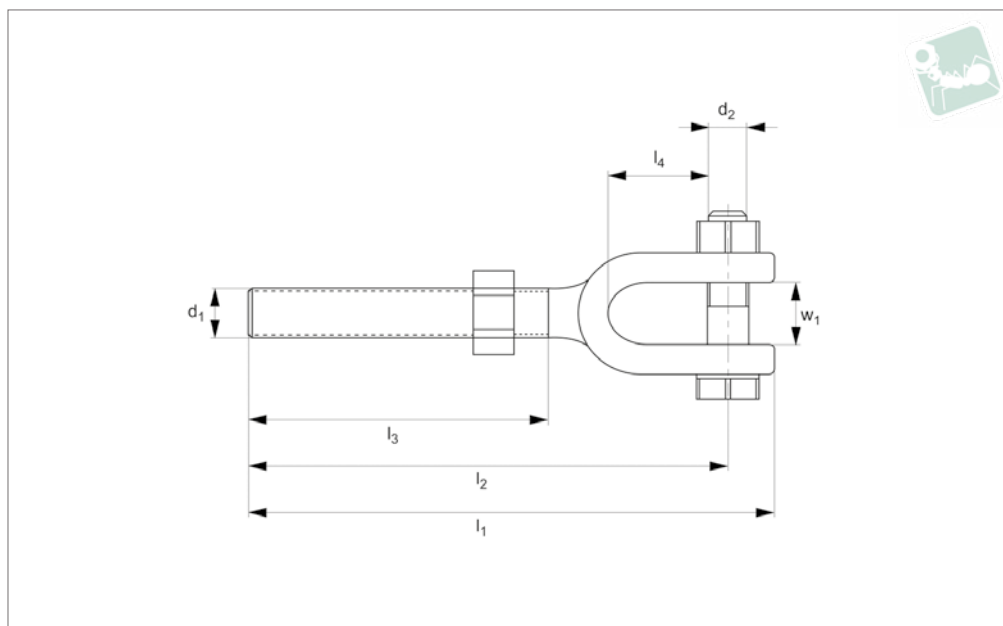
Steel (1.0037).

Hot dip galvanized version, available on request providing increased protection

against corrosion. Please add -FZ for hot dip galvanized, e.g. LP1362.R006-FZ.

Important Notes**Turnbuckles are not to be used for lifting. Only suitable for use in tension.**

Order No.	Thread hand	d ₁	l ₁	l ₂	w ₁	S.W.L. kg	Weight kg
LP1362.R006	Right	M 6	77.0	50	9.5	75	0.016
LP1362.R008	Right	M 8	98.0	60	11.0	165	0.034
LP1362.R010	Right	M10	116.5	73	14.0	235	0.060
LP1362.R012	Right	M12	146.0	90	18.0	320	0.113
LP1362.R014	Right	M14	140.0	80	16.0	420	0.170
LP1362.R016	Right	M16	165.0	100	19.0	530	0.275
LP1362.R020	Right	M20	180.0	105	21.0	730	0.440
LP1362.R022	Right	M22	215.0	120	26.0	1120	0.685
LP1362.R024	Right	M24	225.0	135	29.0	1550	0.765
LP1362.R030	Right	M30	225.0	140	31.0	2240	1.325
LP1362.R036	Right	M36	300.0	170	35.0	3530	2.285
LP1362.L006	Left	M 6	77.0	50	9.5	75	0.016
LP1362.L008	Left	M 8	98.0	60	11.0	165	0.034
LP1362.L010	Left	M10	116.5	73	14.0	235	0.060
LP1362.L012	Left	M12	146.0	90	18.0	320	0.113
LP1362.L014	Left	M14	140.0	80	16.0	420	0.170
LP1362.L016	Left	M16	165.0	100	19.0	530	0.275
LP1362.L020	Left	M20	180.0	105	21.0	730	0.440
LP1362.L022	Left	M22	215.0	120	26.0	1120	0.685
LP1362.L024	Left	M24	225.0	135	29.0	1550	0.765
LP1362.L030	Left	M30	225.0	140	31.0	2240	1.325
LP1362.L036	Left	M36	300.0	170	35.0	3530	2.285



LP1364

TURNBUCKLES

Material

Steel (C45, 1.0503), zinc-plated.
Hot dip galvanized version, above M12 available on request providing increased protection against corrosion. Please add -

FZ for hot dip galvanized, e.g. LP1364.
R008-FZ.

Only suitable for use in tension.

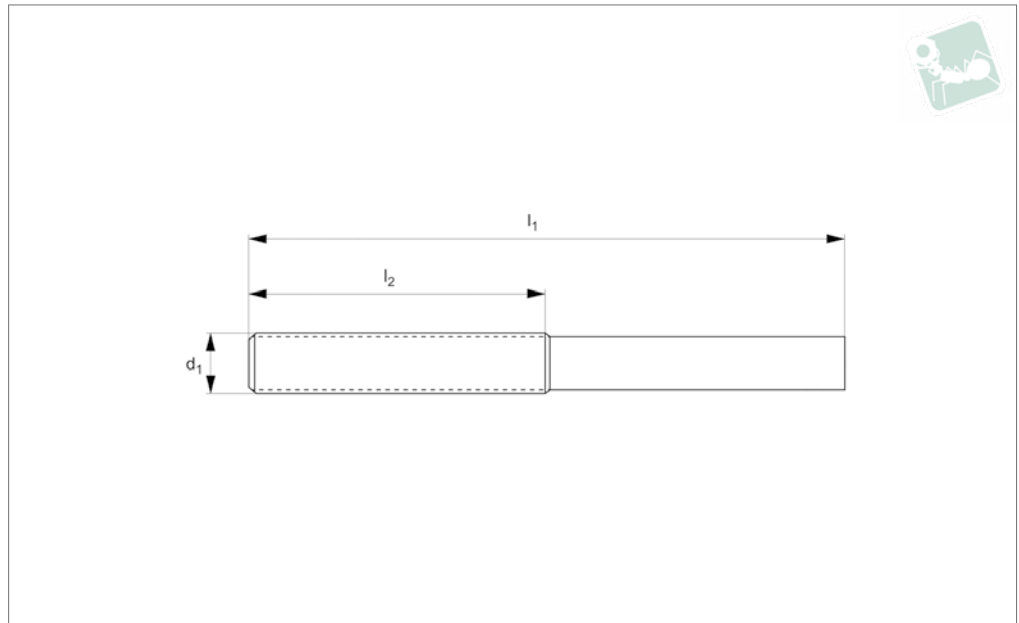
Important Notes

Turnbuckles are not to be used for lifting.

Order No.	Thread hand	d ₁	d ₂	l ₁	l ₂	l ₃	l ₄	w ₁	Weight kg
LP1364.R008	Right	M 8	8.5	125	116	68	28.75	9.0	0.095
LP1364.R010	Right	M10	8.5	139	130	82	29.25	10.7	0.132
LP1364.R012	Right	M12	10.5	160	150	90	44.75	15.5	0.215
LP1364.R016	Right	M16	12.5	186	172	102	45.25	20.0	0.405
LP1364.R020	Right	M20	17.0	205	185	115	59.50	23.5	0.812
LP1364.R024	Right	M24	20.5	240	215	125	62.75	29.0	1.395
LP1364.R030	Right	M30	25.0	290	255	150	89.50	34.0	2.690
LP1364.L008	Left	M 8	8.5	125	116	68	28.75	9.0	0.095
LP1364.L010	Left	M10	8.5	139	130	82	29.25	10.7	0.132
LP1364.L012	Left	M12	10.5	160	150	90	44.75	15.5	0.215
LP1364.L016	Left	M16	12.5	186	172	102	45.25	20.0	0.405
LP1364.L020	Left	M20	17.0	205	185	115	59.50	23.5	0.812
LP1364.L024	Left	M24	20.5	240	215	125	62.75	29.0	1.395
LP1364.L030	Left	M30	25.0	290	255	150	89.5	34.0	2.690



LP1366

**Material**

Steel (1.0037 up to M36, above M36 1.0052).

Hot dip galvanized version, available on request providing increased protection

against corrosion. Please add -FZ for hot dip galvanized, e.g. LP1366.R006-FZ.

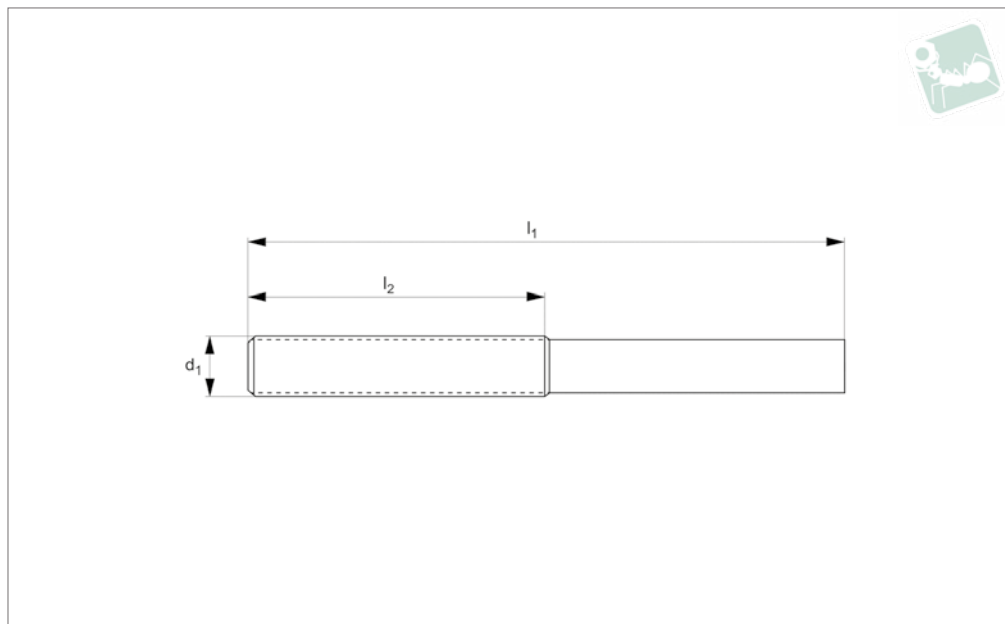
Technical Notes

To DIN 34828.

Important Notes

Turnbuckles are not to be used for lifting. Only suitable for use in tension.

Order No.	Thread hand	d	l_1	l_2	S.W.L. kg	Weight kg
LP1366.R006	Right	M 6	120	60	0.02	0.02
LP1366.R008	Right	M 8	120	65	0.04	0.04
LP1366.R010	Right	M10	150	75	0.07	0.07
LP1366.R012	Right	M12	150	75	0.11	0.11
LP1366.R014	Right	M14	165	80	0.15	0.15
LP1366.R016	Right	M16	200	100	0.26	0.26
LP1366.R020	Right	M20	200	120	0.44	0.44
LP1366.R024	Right	M24	260	150	0.76	0.76
LP1366.R030	Right	M30	260	160	1.20	1.20
LP1366.R036	Right	M36	300	180	2.10	2.10
LP1366.R042	Right	M42	350	200	3.15	3.15
LP1366.R048	Right	M48	380	220	4.60	4.60
LP1366.R056	Right	M56	380	230	6.28	6.28
LP1366.R064	Right	M64	425	300	9.16	9.16
LP1366.R072	Right	M72	400	270	4.60	4.60
LP1366.L006	Left	M 6	120	60	0.02	0.02
LP1366.L008	Left	M 8	120	65	0.04	0.04
LP1366.L010	Left	M10	150	75	0.07	0.07
LP1366.L012	Left	M12	150	75	0.11	0.11
LP1366.L014	Left	M14	165	80	0.15	0.15
LP1366.L016	Left	M16	200	100	0.26	0.26
LP1366.L020	Left	M20	200	120	0.44	0.44
LP1366.L024	Left	M24	260	150	0.76	0.76
LP1366.L030	Left	M30	260	160	1.20	1.20
LP1366.L036	Left	M36	300	180	2.10	2.10
LP1366.L042	Left	M42	350	200	3.15	3.15
LP1366.L048	Left	M48	380	220	4.60	4.60
LP1366.L056	Left	M56	380	230	6.28	6.28
LP1366.L064	Left	M64	425	300	9.16	9.16
LP1366.L072	Left	M72	400	270	4.60	4.60



LP1368

TURNBUCKLES

Material

Stainless steel (A4).

Technical Notes

To DIN 34828.

Important Notes

**Turnbuckles are not to be used for lifting.
Only suitable for use in tension.**

Order No.	Thread hand	d_1	l_1	l_2	Weight kg
LP1368.R006	Right	M 6	120	60	0.02
LP1368.R008	Right	M 8	120	65	0.04
LP1368.R010	Right	M10	150	75	0.07
LP1368.R012	Right	M12	150	75	0.11
LP1368.R014	Right	M14	165	80	0.15
LP1368.R016	Right	M16	200	100	0.26
LP1368.R020	Right	M20	220	120	0.44
LP1368.R024	Right	M24	260	150	0.76
LP1368.R030	Right	M30	260	160	1.20
LP1368.R036	Right	M36	300	180	2.10
LP1368.L006	Left	M 6	120	60	0.02
LP1368.L008	Left	M 8	120	65	0.04
LP1368.L010	Left	M10	150	75	0.07
LP1368.L012	Left	M12	150	75	0.11
LP1368.L014	Left	M14	165	80	0.15
LP1368.L016	Left	M16	200	100	0.26
LP1368.L020	Left	M20	220	120	0.44
LP1368.L024	Left	M24	260	150	0.76
LP1368.L030	Left	M30	260	160	1.20
LP1368.L036	Left	M36	300	180	2.10