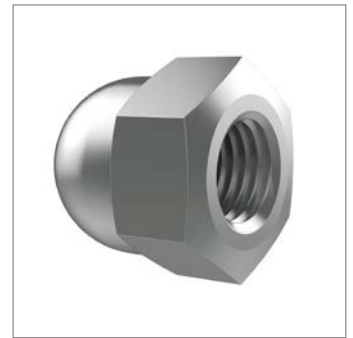
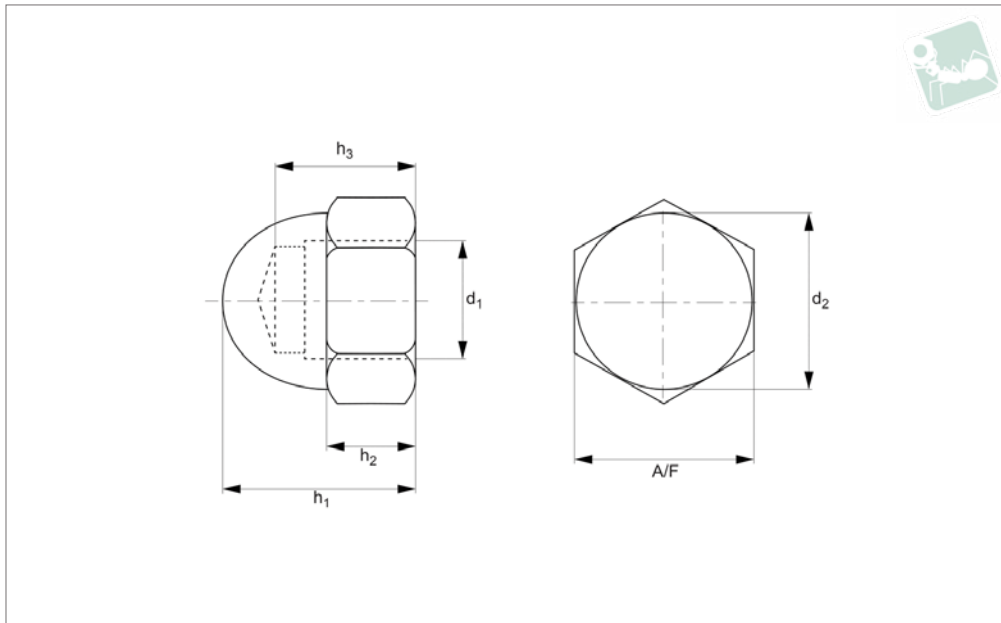




Hexagon Domed Cap Nuts

Domed Cap Nuts, DIN 1587, Titanium 5

Titanium



T0542.T5

TITANIUM

Material

Titanium 5 (6AL-4V).

Technical Notes

To DIN 1587.

Order No.	Thread	d_2	h_1	h_2	h_3	A/F
T0542.050-T5-00	M 5	7.5	10	4.0	7.5	8
T0542.060-T5-00	M 6	9.5	12	5.0	8.0	10
T0542.080-T5-00	M 8	12.5	15	6.5	11.0	13
T0542.100-T5-00	M10	16.0	18	8.0	13.0	16
T0542.100-125-T5-00	M10x1,25	-	18	8.0	-	16
T0542.120-T5-00	M12	18.0	22	10.0	16.0	19