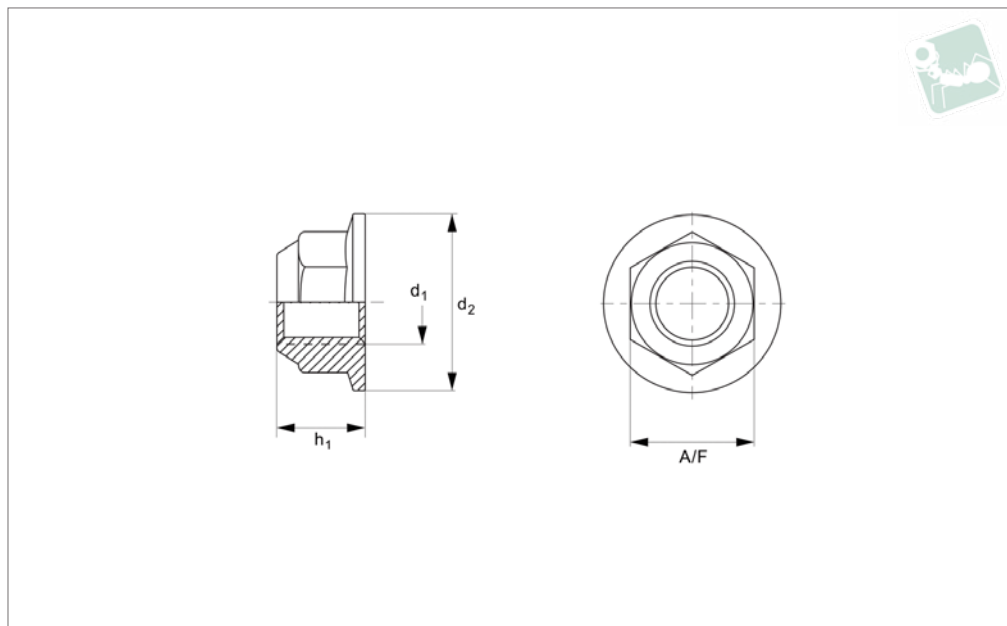




# Flanged Nuts

Flanged, DIN 6929, Titanium G2

Titanium



**T0533.T2**

TITANIUM

**Material**  
Titanium G2.

**Technical Notes**  
To DIN 6923.

Order No.	d <sub>1</sub>	d <sub>2</sub>	h <sub>1</sub>	h <sub>2</sub>	A/F
T0533.050-T2	M 5	11.8	7.1	2.2	8
T0533.060-T2	M 6	14.2	9.1	3.1	10
T0533.080-T2	M 8	17.9	11.1	4.5	13
T0533.100-T2	M10	21.8	13.5	5.5	15
T0533.120-T2	M12	26.0	16.1	6.7	18