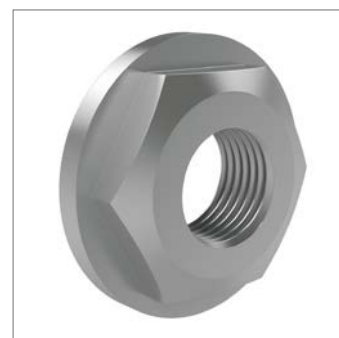
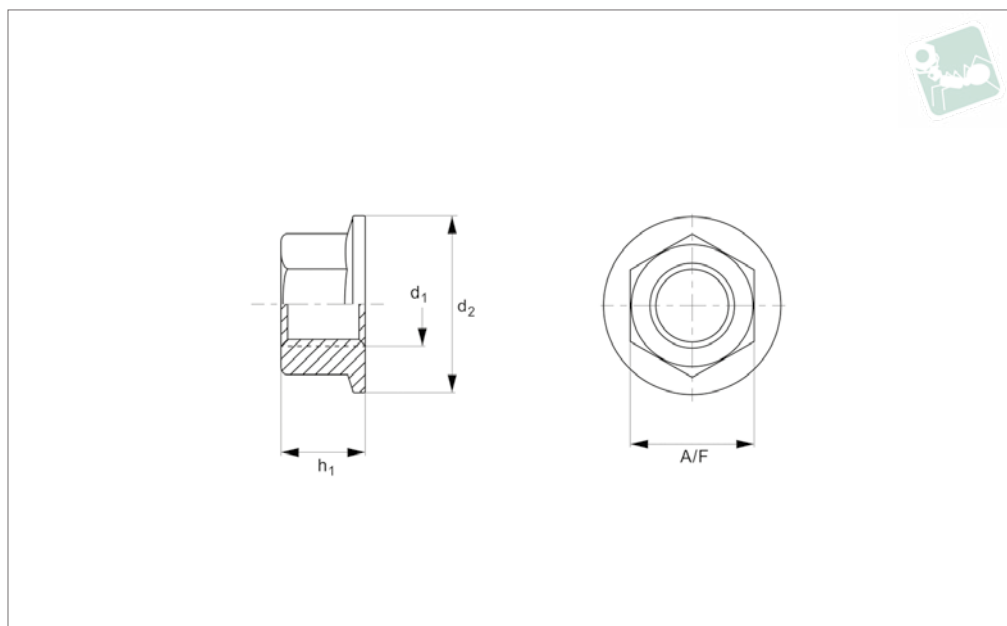




Flanged Nuts

Flanged, DIN 6923, Titanium G2

Titanium



T0530.T2

TITANIUM

Material
Titanium G2.

Technical Notes
To DIN 6923.

Order No.	d ₁	d ₂ max.	h ₁	A/F
T0530.040-T2	M 4	10.0	4.65	7
T0530.050-T2	M 5	11.8	5	8
T0530.060-T2	M 6	14.2	6	10
T0530.080-T2	M 8	17.9	8	13
T0530.100-T2	M10	21.8	10	15
T0530.120-T2	M12	26.0	12	18