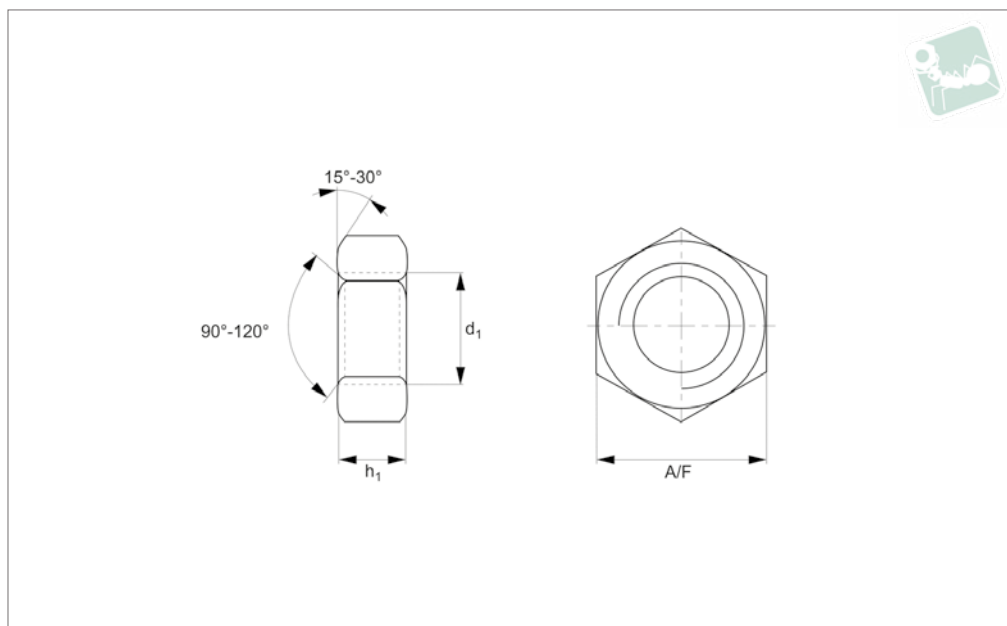




# Hexagon Thin Nuts

unchamfered, DIN 439, Titanium 5

Titanium



**T0509.T5**

TITANIUM

### Material

Titanium 5 (6AL-4V).

### Technical Notes

To DIN 439. Standard metric coarse pitch threads.

Order No.	Thread	$h_1$	A/F	Material
T0509.020-T5-00	M 2	0.95	4	Titanium 5 (6AL-4V)
T0509.030-T5-00	M 3	1.55	5.5	Titanium 5 (6AL-4V)
T0509.040-T5-00	M 4	1.95	7.0	Titanium 5 (6AL-4V)
T0509.050-T5-00	M 5	2.7	8	Titanium 5 (6AL-4V)
T0509.060-T5-00	M 6	3.2	10	Titanium 5 (6AL-4V)
T0509.080-T5-00	M 8	4.0	13	Titanium 5 (6AL-4V)
T0509.100-125-T5-00	M10x1,25	4.7	17	Titanium 5 (6AL-4V)
T0509.100-T5-00	M10	5.0	17	Titanium 5 (6AL-4V)
T0509.120-T5-00	M12	5.7	19	Titanium 5 (6AL-4V)
T0509.160-T5-00	M16	7.42	24	Titanium 5 (6AL-4V)
T0509.200-T5-00	M20	9.1	30	Titanium 5 (6AL-4V)
T0509.025-T5-00	M2.5	1.35	5	Titanium 5 (6AL-4V)