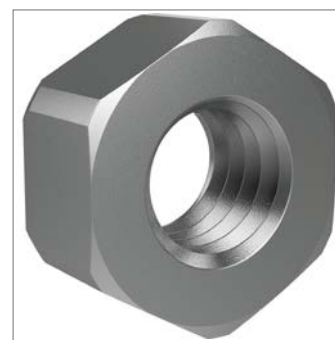
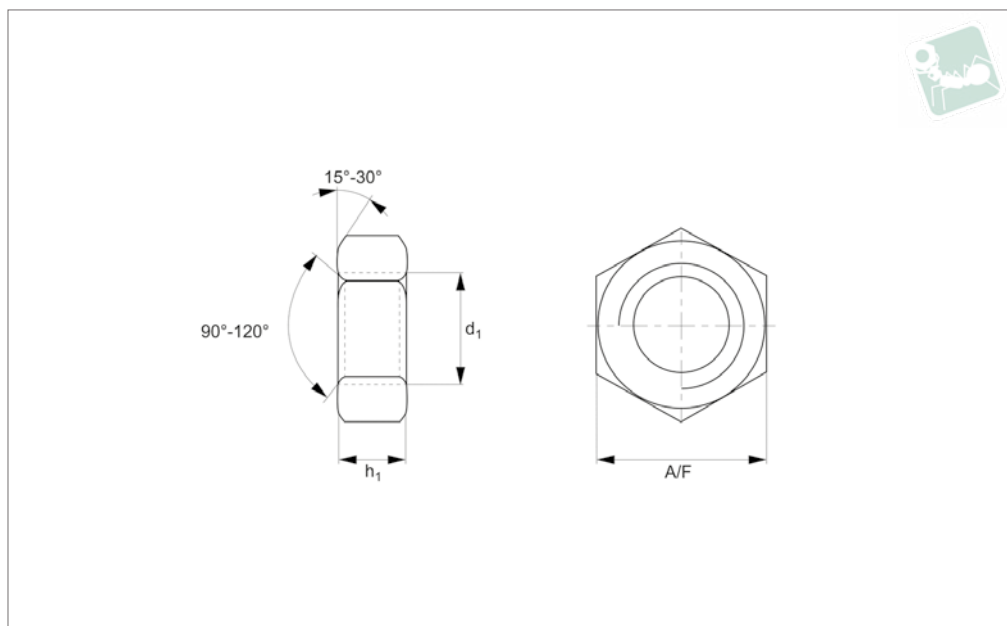




# Hexagon Full Nut

DIN 934

# Titanium



## T0501

TITANIUM

### Material

Titanium Grade 2 (commercial grade, high corrosion resistance, strong weldability, standard strength).

Titanium Grade 5 (aerospace grade Ti 6Al-4V Titanium alloy, good strength to weight ratio, corrosion resistant).

### Technical Notes

Items to DIN 934 where stated in data table

Order No.	d <sub>1</sub>	h <sub>1</sub>	A/F	Material
T0501.016.2AD	M1,6	1.3	3.2	Grade 2
T0501.020.2AD	M 2	1.6	4.0	Grade 2
T0501.030.2AD	M 3	2.4	5.5	Grade 2
T0501.040.2AD	M 4	3.2	7.0	Grade 2
T0501.050.2AD	M 5	4.0	8.0	Grade 2
T0501.060.2AD	M 6	5.0	10.0	Grade 2
T0501.080.2AD	M 8	6.5	13.0	Grade 2
T0501.100.2AD	M10	8.0	17.0	Grade 2
T0501.120.2AD	M12	10.0	19.0	Grade 2
T0501.140.2AD	M14	11.0	22.0	Grade 2
T0501.160.2AD	M16	13.0	24.0	Grade 2
T0501.200.2AD	M20	16.0	27.0	Grade 2
T0501.030.5AD	M 3	2.4	5.5	Grade 5
T0501.040.5AD	M 4	3.2	7.0	Grade 5
T0501.050.5AD	M 5	4.0	8.0	Grade 5
T0501.060.5AD	M 6	5.0	10.0	Grade 5
T0501.080.5AD	M 8	6.5	13.0	Grade 5
T0501.100.5AD	M10	8.0	17.0	Grade 5
T0501.120.5AD	M12	10.0	19.0	Grade 5
T0501.140.5AD	M14	11.0	22.0	Grade 5
T0501.160.5AD	M16	13.0	24.0	Grade 5
T0501.200.5AD	M20	16.0	27.0	Grade 5