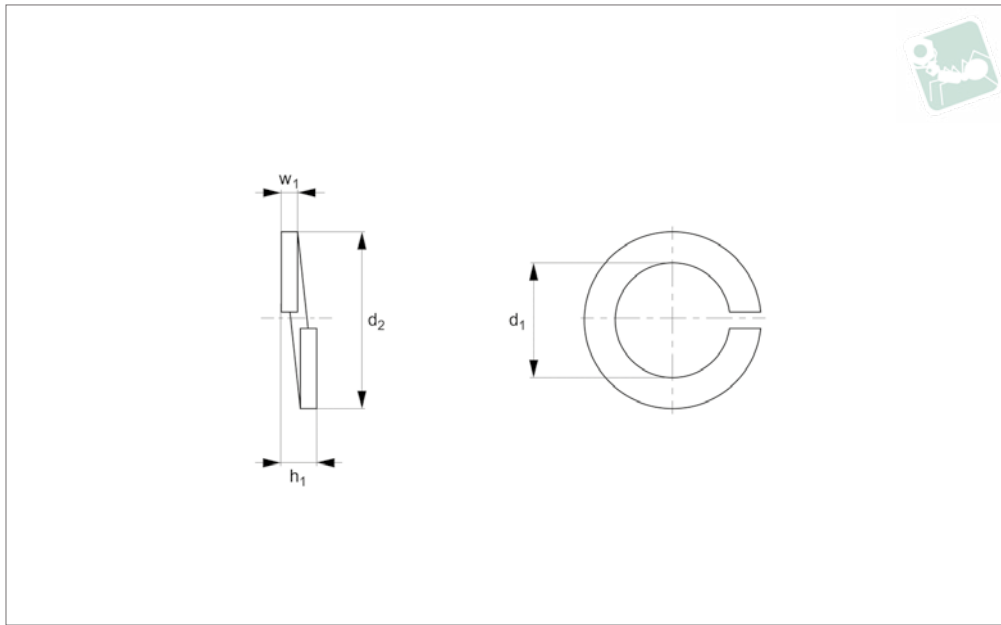




Spring Lock Washers

Spring Lock, DIN 127, Titanium G2 and Titanium 5

Titanium



T0403

TITANIUM

Material

Titanium G2 and Titanium 5.

Technical Notes

DIN 127

Order No.	d ₁	d ₂ max.	w ₁	h ₁	Material
T0403.030-T2	M 3	6.2	-	1.9	Titanium G2
T0403.040-T2	M 4	8.0	0.9	2.5	Titanium G2
T0403.050-T2	M 5	10.0	1.2	3.2	Titanium G2
T0403.060-T2	M 6	12.0	1.6	4.2	Titanium G2
T0403.080-T2	M 8	16.0	2.0	5.4	Titanium G2
T0403.100-T2	M10	20.0	2.2	5.9	Titanium G2
T0403.200-T2	M20	21.1	-	5.9	Titanium G2
T0403.030-T5	M 3	6.2	-	1.9	Titanium 5
T0403.040-T5	M 4	8.0	0.9	2.5	Titanium 5
T0403.050-T5	M 5	10.0	1.2	3.2	Titanium 5
T0403.060-T5	M 6	12.0	1.6	4.2	Titanium 5
T0403.080-T5	M 8	16.0	2.0	5.4	Titanium 5
T0403.100-T5	M10	20.0	2.2	5.9	Titanium 5
T0403.200-T5	M20	21.1	-	5.9	Titanium 5
T0403.140-T5	M14	24.1	-	7.1	Titanium 5
T0403.160-T5	M16	27.4	-	8.3	Titanium 5
T0403.140-T2	M14	24.1	-	7.1	Titanium G2
T0403.160-T2	M16	27.4	-	8.3	Titanium G2