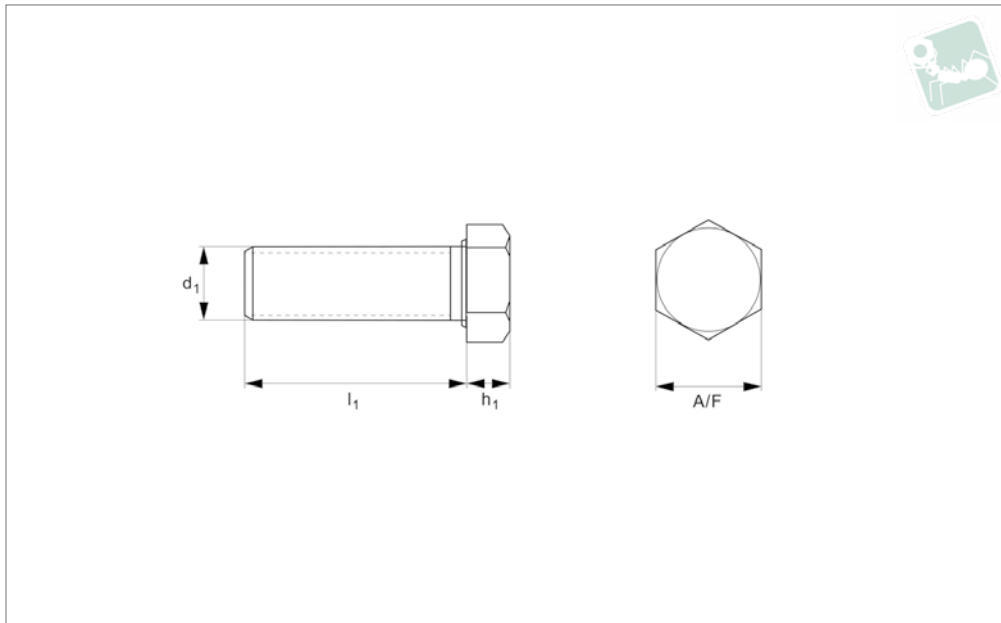




Hex Head Set Screws

DIN 933 Gr.2

Titanium



T0013.93T.1

TITANIUM

Material

Titanium Grade 2 (commercial grade, high corrosion resistance, strong weldability,

standard strength).

table.

Technical Notes

Items to DIN 933 where stated in data

Order No.	d ₁	l ₁	h ₁	A/F	Material	Grade	Finish	To standard
93T.020.0006.2AD	M 2	6	1.4	4.0	Ti-G2	Comm	Natural	DIN 933
93T.020.0008.2AD	M 2	8	1.4	4.0	Ti-G2	Comm	Natural	DIN 933
93T.020.0010.2AD	M 2	10	1.4	4.0	Ti-G2	Comm	Natural	DIN 933
93T.020.0012.2AD	M 2	12	1.4	4.0	Ti-G2	Comm	Natural	DIN 933
93T.020.0015.2AD	M 2	15	1.4	4.0	Ti-G2	Comm	Natural	DIN 933
93T.020.0016.2AD	M 2	16	1.4	4.0	Ti-G2	Comm	Natural	DIN 933
93T.020.0020.2AD	M 2	20	1.4	4.0	Ti-G2	Comm	Natural	DIN 933
93T.020.0025.2AD	M 2	25	1.4	4.0	Ti-G2	Comm	Natural	DIN 933
93T.020.0030.2AD	M 2	30	1.4	4.0	Ti-G2	Comm	Natural	DIN 933
93T.025.0006.2AD	M2,5	6	1.7	5.0	Ti-G2	Comm	Natural	DIN 933
93T.025.0008.2AD	M2,5	8	1.7	5.0	Ti-G2	Comm	Natural	DIN 933
93T.025.0010.2AD	M2,5	10	1.7	5.0	Ti-G2	Comm	Natural	DIN 933
93T.025.0012.2AD	M2,5	12	1.7	5.0	Ti-G2	Comm	Natural	DIN 933
93T.025.0015.2AD	M2,5	15	1.7	5.0	Ti-G2	Comm	Natural	DIN 933
93T.025.0016.2AD	M2,5	16	1.7	5.0	Ti-G2	Comm	Natural	DIN 933
93T.025.0020.2AD	M2,5	20	1.7	5.0	Ti-G2	Comm	Natural	DIN 933
93T.025.0025.2AD	M2,5	25	1.7	5.0	Ti-G2	Comm	Natural	DIN 933
93T.025.0030.2AD	M2,5	30	1.7	5.0	Ti-G2	Comm	Natural	DIN 933
93T.025.0035.2AD	M2,5	35	1.7	5.0	Ti-G2	Comm	Natural	DIN 933
93T.025.0040.2AD	M2,5	40	1.7	5.0	Ti-G2	Comm	Natural	DIN 933
93T.030.0006.2AD	M 3	6	2.0	5.5	Ti-G2	Comm	Natural	DIN 933
93T.030.0008.2AD	M 3	8	2.0	5.5	Ti-G2	Comm	Natural	DIN 933
93T.030.0010.2AD	M 3	10	2.0	5.5	Ti-G2	Comm	Natural	DIN 933
93T.030.0012.2AD	M 3	12	2.0	5.5	Ti-G2	Comm	Natural	DIN 933
93T.030.0015.2AD	M 3	15	2.0	5.5	Ti-G2	Comm	Natural	DIN 933
93T.030.0016.2AD	M 3	16	2.0	5.5	Ti-G2	Comm	Natural	DIN 933
93T.030.0020.2AD	M 3	20	2.0	5.5	Ti-G2	Comm	Natural	DIN 933
93T.030.0025.2AD	M 3	25	2.0	5.5	Ti-G2	Comm	Natural	DIN 933
93T.030.0030.2AD	M 3	30	2.0	5.5	Ti-G2	Comm	Natural	DIN 933
93T.030.0035.2AD	M 3	35	2.0	5.5	Ti-G2	Comm	Natural	DIN 933
93T.030.0040.2AD	M 3	40	2.0	5.5	Ti-G2	Comm	Natural	DIN 933
93T.030.0045.2AD	M 3	45	2.0	5.5	Ti-G2	Comm	Natural	DIN 933
93T.030.0050.2AD	M 3	50	2.0	5.5	Ti-G2	Comm	Natural	DIN 933
93T.030.0055.2AD	M 3	55	2.0	5.5	Ti-G2	Comm	Natural	DIN 933
93T.030.0060.2AD	M 3	60	2.0	5.5	Ti-G2	Comm	Natural	DIN 933



Order No.	d ₁	l ₁	h ₁	A/F	Material	Grade	Finish	To standard
93T.030.0065.2AD	M 3	65	2.0	5.5	Ti-G2	Comm	Natural	DIN 933
93T.030.0070.2AD	M 3	70	2.0	5.5	Ti-G2	Comm	Natural	DIN 933
93T.040.0010.2AD	M 4	10	2.8	7.0	Ti-G2	Comm	Natural	DIN 933
93T.040.0012.2AD	M 4	12	2.8	7.0	Ti-G2	Comm	Natural	DIN 933
93T.040.0015.2AD	M 4	15	2.8	7.0	Ti-G2	Comm	Natural	DIN 933
93T.040.0016.2AD	M 4	16	2.8	7.0	Ti-G2	Comm	Natural	DIN 933
93T.040.0020.2AD	M 4	20	2.8	7.0	Ti-G2	Comm	Natural	DIN 933
93T.040.0025.2AD	M 4	25	2.8	7.0	Ti-G2	Comm	Natural	DIN 933
93T.040.0030.2AD	M 4	30	2.8	7.0	Ti-G2	Comm	Natural	DIN 933
93T.040.0035.2AD	M 4	35	2.8	7.0	Ti-G2	Comm	Natural	DIN 933
93T.040.0040.2AD	M 4	40	2.8	7.0	Ti-G2	Comm	Natural	DIN 933
93T.040.0045.2AD	M 4	45	2.8	7.0	Ti-G2	Comm	Natural	DIN 933
93T.040.0050.2AD	M 4	50	2.8	7.0	Ti-G2	Comm	Natural	DIN 933
93T.040.0055.2AD	M 4	55	2.8	7.0	Ti-G2	Comm	Natural	DIN 933
93T.040.0060.2AD	M 4	60	2.8	7.0	Ti-G2	Comm	Natural	DIN 933
93T.050.0010.2AD	M 5	10	3.5	8.0	Ti-G2	Comm	Natural	DIN 933
93T.050.0012.2AD	M 5	12	3.5	8.0	Ti-G2	Comm	Natural	DIN 933
93T.050.0015.2AD	M 5	15	3.5	8.0	Ti-G2	Comm	Natural	DIN 933
93T.050.0016.2AD	M 5	16	3.5	8.0	Ti-G2	Comm	Natural	DIN 933
93T.050.0020.2AD	M 5	20	3.5	8.0	Ti-G2	Comm	Natural	DIN 933
93T.050.0025.2AD	M 5	25	3.5	8.0	Ti-G2	Comm	Natural	DIN 933
93T.050.0030.2AD	M 5	30	3.5	8.0	Ti-G2	Comm	Natural	DIN 933
93T.050.0035.2AD	M 5	35	3.5	8.0	Ti-G2	Comm	Natural	DIN 933
93T.050.0040.2AD	M 5	40	3.5	8.0	Ti-G2	Comm	Natural	DIN 933
93T.050.0045.2AD	M 5	45	3.5	8.0	Ti-G2	Comm	Natural	DIN 933
93T.050.0050.2AD	M 5	50	3.5	8.0	Ti-G2	Comm	Natural	DIN 933
93T.050.0055.2AD	M 5	55	3.5	8.0	Ti-G2	Comm	Natural	DIN 933
93T.050.0060.2AD	M 5	60	3.5	8.0	Ti-G2	Comm	Natural	DIN 933
93T.060.0010.2AD	M 6	10	4.0	10.0	Ti-G2	Comm	Natural	DIN 933
93T.060.0012.2AD	M 6	12	4.0	10.0	Ti-G2	Comm	Natural	DIN 933
93T.060.0015.2AD	M 6	15	4.0	10.0	Ti-G2	Comm	Natural	DIN 933
93T.060.0016.2AD	M 6	16	4.0	10.0	Ti-G2	Comm	Natural	DIN 933
93T.060.0020.2AD	M 6	20	4.0	10.0	Ti-G2	Comm	Natural	DIN 933
93T.060.0025.2AD	M 6	25	4.0	10.0	Ti-G2	Comm	Natural	DIN 933
93T.060.0030.2AD	M 6	30	4.0	10.0	Ti-G2	Comm	Natural	DIN 933
93T.060.0035.2AD	M 6	35	4.0	10.0	Ti-G2	Comm	Natural	DIN 933
93T.060.0040.2AD	M 6	40	4.0	10.0	Ti-G2	Comm	Natural	DIN 933
93T.060.0045.2AD	M 6	45	4.0	10.0	Ti-G2	Comm	Natural	DIN 933
93T.060.0050.2AD	M 6	50	4.0	10.0	Ti-G2	Comm	Natural	DIN 933
93T.060.0060.2AD	M 6	60	4.0	10.0	Ti-G2	Comm	Natural	DIN 933
93T.060.0065.2AD	M 6	65	4.0	10.0	Ti-G2	Comm	Natural	DIN 933
93T.060.0070.2AD	M 6	70	4.0	10.0	Ti-G2	Comm	Natural	DIN 933
93T.060.0080.2AD	M 6	80	4.0	10.0	Ti-G2	Comm	Natural	DIN 933
93T.060.0090.2AD	M 6	90	4.0	10.0	Ti-G2	Comm	Natural	DIN 933
93T.060.0100.2AD	M 6	100	4.0	10.0	Ti-G2	Comm	Natural	DIN 933
93T.080.0010.2AD	M 8	10	5.3	13.0	Ti-G2	Comm	Natural	DIN 933
93T.080.0012.2AD	M 8	12	5.3	13.0	Ti-G2	Comm	Natural	DIN 933
93T.080.0015.2AD	M 8	15	5.3	13.0	Ti-G2	Comm	Natural	DIN 933
93T.080.0016.2AD	M 8	16	5.3	13.0	Ti-G2	Comm	Natural	DIN 933
93T.080.0020.2AD	M 8	20	5.3	13.0	Ti-G2	Comm	Natural	DIN 933
93T.080.0025.2AD	M 8	25	5.3	13.0	Ti-G2	Comm	Natural	DIN 933
93T.080.0030.2AD	M 8	30	5.3	13.0	Ti-G2	Comm	Natural	DIN 933
93T.080.0035.2AD	M 8	35	5.3	13.0	Ti-G2	Comm	Natural	DIN 933
93T.080.0040.2AD	M 8	40	5.3	13.0	Ti-G2	Comm	Natural	DIN 933
93T.080.0045.2AD	M 8	45	5.3	13.0	Ti-G2	Comm	Natural	DIN 933
93T.080.0050.2AD	M 8	50	5.3	13.0	Ti-G2	Comm	Natural	DIN 933
93T.080.0055.2AD	M 8	55	5.3	13.0	Ti-G2	Comm	Natural	DIN 933
93T.080.0060.2AD	M 8	60	5.3	13.0	Ti-G2	Comm	Natural	DIN 933
93T.080.0065.2AD	M 8	65	5.3	13.0	Ti-G2	Comm	Natural	DIN 933
93T.080.0070.2AD	M 8	70	5.3	13.0	Ti-G2	Comm	Natural	DIN 933
93T.080.0075.2AD	M 8	75	5.3	13.0	Ti-G2	Comm	Natural	DIN 933
93T.080.0080.2AD	M 8	80	5.3	13.0	Ti-G2	Comm	Natural	DIN 933
93T.080.0090.2AD	M 8	90	5.3	13.0	Ti-G2	Comm	Natural	DIN 933
93T.080.0100.2AD	M 8	100	5.3	13.0	Ti-G2	Comm	Natural	DIN 933
93T.080.0110.2AD	M 8	110	5.3	13.0	Ti-G2	Comm	Natural	DIN 933
93T.080.0120.2AD	M 8	120	5.3	13.0	Ti-G2	Comm	Natural	DIN 933
93T.080.0130.2AD	M 8	130	5.3	13.0	Ti-G2	Comm	Natural	DIN 933
93T.080.0140.2AD	M 8	140	5.3	13.0	Ti-G2	Comm	Natural	DIN 933
93T.080.0150.2AD	M 8	150	5.3	13.0	Ti-G2	Comm	Natural	DIN 933



Hex Head Set Screws

DIN 933 Gr.2

Titanium

Order No.	d ₁	l ₁	h ₁	A/F	Material	Grade	Finish	To standard
93T.100.0016.2AD	M10	16	6.4	17.0	Ti-G2	Comm	Natural	DIN 933
93T.100.0020.2AD	M10	20	6.4	17.0	Ti-G2	Comm	Natural	DIN 933
93T.100.0025.2AD	M10	25	6.4	17.0	Ti-G2	Comm	Natural	DIN 933
93T.100.0030.2AD	M10	30	6.4	17.0	Ti-G2	Comm	Natural	DIN 933
93T.100.0035.2AD	M10	35	6.4	17.0	Ti-G2	Comm	Natural	DIN 933
93T.100.0040.2AD	M10	40	6.4	17.0	Ti-G2	Comm	Natural	DIN 933
93T.100.0045.2AD	M10	45	6.4	17.0	Ti-G2	Comm	Natural	DIN 933
93T.100.0050.2AD	M10	50	6.4	17.0	Ti-G2	Comm	Natural	DIN 933
93T.100.0055.2AD	M10	55	6.4	17.0	Ti-G2	Comm	Natural	DIN 933
93T.100.0060.2AD	M10	60	6.4	17.0	Ti-G2	Comm	Natural	DIN 933
93T.100.0065.2AD	M10	65	6.4	17.0	Ti-G2	Comm	Natural	DIN 933
93T.100.0070.2AD	M10	70	6.4	17.0	Ti-G2	Comm	Natural	DIN 933
93T.100.0080.2AD	M10	80	6.4	17.0	Ti-G2	Comm	Natural	DIN 933
93T.100.0090.2AD	M10	90	6.4	17.0	Ti-G2	Comm	Natural	DIN 933
93T.100.0100.2AD	M10	100	6.4	17.0	Ti-G2	Comm	Natural	DIN 933
93T.100.0110.2AD	M10	110	6.4	17.0	Ti-G2	Comm	Natural	DIN 933
93T.100.0120.2AD	M10	120	6.4	17.0	Ti-G2	Comm	Natural	DIN 933
93T.100.0130.2AD	M10	130	6.4	17.0	Ti-G2	Comm	Natural	DIN 933
93T.100.0140.2AD	M10	140	6.4	17.0	Ti-G2	Comm	Natural	DIN 933
93T.100.0150.2AD	M10	150	6.4	17.0	Ti-G2	Comm	Natural	DIN 933
93T.120.0020.2AD	M12	20	7.5	19.0	Ti-G2	Comm	Natural	DIN 933
93T.120.0025.2AD	M12	25	7.5	19.0	Ti-G2	Comm	Natural	DIN 933
93T.120.0030.2AD	M12	30	7.5	19.0	Ti-G2	Comm	Natural	DIN 933
93T.120.0035.2AD	M12	35	7.5	19.0	Ti-G2	Comm	Natural	DIN 933
93T.120.0040.2AD	M12	40	7.5	19.0	Ti-G2	Comm	Natural	DIN 933
93T.120.0045.2AD	M12	45	7.5	19.0	Ti-G2	Comm	Natural	DIN 933
93T.120.0050.2AD	M12	50	7.5	19.0	Ti-G2	Comm	Natural	DIN 933
93T.120.0055.2AD	M12	55	7.5	19.0	Ti-G2	Comm	Natural	DIN 933
93T.120.0060.2AD	M12	60	7.5	19.0	Ti-G2	Comm	Natural	DIN 933
93T.120.0065.2AD	M12	65	7.5	19.0	Ti-G2	Comm	Natural	DIN 933
93T.120.0070.2AD	M12	70	7.5	19.0	Ti-G2	Comm	Natural	DIN 933
93T.120.0080.2AD	M12	80	7.5	19.0	Ti-G2	Comm	Natural	DIN 933
93T.120.0090.2AD	M12	90	7.5	19.0	Ti-G2	Comm	Natural	DIN 933
93T.120.0100.2AD	M12	100	7.5	19.0	Ti-G2	Comm	Natural	DIN 933
93T.120.0110.2AD	M12	110	7.5	19.0	Ti-G2	Comm	Natural	DIN 933
93T.120.0120.2AD	M12	120	7.5	19.0	Ti-G2	Comm	Natural	DIN 933
93T.120.0130.2AD	M12	130	7.5	19.0	Ti-G2	Comm	Natural	DIN 933
93T.120.0140.2AD	M12	140	7.5	19.0	Ti-G2	Comm	Natural	DIN 933
93T.120.0150.2AD	M12	150	7.5	19.0	Ti-G2	Comm	Natural	DIN 933
93T.140.0020.2AD	M14	20	8.8	22.0	Ti-G2	Comm	Natural	DIN 933
93T.140.0025.2AD	M14	25	8.8	22.0	Ti-G2	Comm	Natural	DIN 933
93T.140.0030.2AD	M14	30	8.8	22.0	Ti-G2	Comm	Natural	DIN 933
93T.140.0035.2AD	M14	35	8.8	22.0	Ti-G2	Comm	Natural	DIN 933
93T.140.0040.2AD	M14	40	8.8	22.0	Ti-G2	Comm	Natural	DIN 933
93T.140.0045.2AD	M14	45	8.8	22.0	Ti-G2	Comm	Natural	DIN 933
93T.140.0050.2AD	M14	50	8.8	22.0	Ti-G2	Comm	Natural	DIN 933
93T.140.0055.2AD	M14	55	8.8	22.0	Ti-G2	Comm	Natural	DIN 933
93T.140.0060.2AD	M14	60	8.8	22.0	Ti-G2	Comm	Natural	DIN 933
93T.140.0065.2AD	M14	65	8.8	22.0	Ti-G2	Comm	Natural	DIN 933
93T.140.0070.2AD	M14	70	8.8	22.0	Ti-G2	Comm	Natural	DIN 933
93T.140.0080.2AD	M14	80	8.8	22.0	Ti-G2	Comm	Natural	DIN 933
93T.140.0090.2AD	M14	90	8.8	22.0	Ti-G2	Comm	Natural	DIN 933
93T.140.0100.2AD	M14	100	8.8	22.0	Ti-G2	Comm	Natural	DIN 933
93T.140.0110.2AD	M14	110	8.8	22.0	Ti-G2	Comm	Natural	DIN 933
93T.140.0130.2AD	M14	130	8.8	22.0	Ti-G2	Comm	Natural	DIN 933
93T.140.0140.2AD	M14	120	8.8	22.0	Ti-G2	Comm	Natural	DIN 933
93T.140.0150.2AD	M14	150	8.8	22.0	Ti-G2	Comm	Natural	DIN 933
93T.160.0020.2AD	M16	20	10.0	24.0	Ti-G2	Comm	Natural	DIN 933
93T.160.0025.2AD	M16	25	10.0	24.0	Ti-G2	Comm	Natural	DIN 933
93T.160.0030.2AD	M16	30	10.0	24.0	Ti-G2	Comm	Natural	DIN 933
93T.160.0035.2AD	M16	35	10.0	24.0	Ti-G2	Comm	Natural	DIN 933
93T.160.0040.2AD	M16	40	10.0	24.0	Ti-G2	Comm	Natural	DIN 933
93T.160.0045.2AD	M16	45	10.0	24.0	Ti-G2	Comm	Natural	DIN 933
93T.160.0050.2AD	M16	50	10.0	24.0	Ti-G2	Comm	Natural	DIN 933
93T.160.0055.2AD	M16	55	10.0	24.0	Ti-G2	Comm	Natural	DIN 933
93T.160.0060.2AD	M16	60	10.0	24.0	Ti-G2	Comm	Natural	DIN 933
93T.160.0065.2AD	M16	65	10.0	24.0	Ti-G2	Comm	Natural	DIN 933
93T.160.0070.2AD	M16	70	10.0	24.0	Ti-G2	Comm	Natural	DIN 933
93T.160.0080.2AD	M16	80	10.0	24.0	Ti-G2	Comm	Natural	DIN 933

TITANIUM



Order No.	d ₁	l ₁	h ₁	A/F	Material	Grade	Finish	To standard
93T.160.0090.2AD	M16	90	10.0	24.0	Ti-G2	Comm	Natural	DIN 933
93T.160.0100.2AD	M16	100	10.0	24.0	Ti-G2	Comm	Natural	DIN 933
93T.160.0110.2AD	M16	110	10.0	24.0	Ti-G2	Comm	Natural	DIN 933
93T.160.0120.2AD	M16	120	10.0	24.0	Ti-G2	Comm	Natural	DIN 933
93T.160.0130.2AD	M16	130	10.0	24.0	Ti-G2	Comm	Natural	DIN 933
93T.160.0140.2AD	M16	140	10.0	24.0	Ti-G2	Comm	Natural	DIN 933
93T.160.0150.2AD	M16	150	10.0	24.0	Ti-G2	Comm	Natural	DIN 933
93T.200.0020.2AD	M20	20	12.5	30.0	Ti-G2	Comm	Natural	DIN 933
93T.200.0025.2AD	M20	25	12.5	30.0	Ti-G2	Comm	Natural	DIN 933
93T.200.0030.2AD	M20	30	12.5	30.0	Ti-G2	Comm	Natural	DIN 933
93T.200.0035.2AD	M20	35	12.5	30.0	Ti-G2	Comm	Natural	DIN 933
93T.200.0040.2AD	M20	40	12.5	30.0	Ti-G2	Comm	Natural	DIN 933
93T.200.0045.2AD	M20	45	12.5	30.0	Ti-G2	Comm	Natural	DIN 933
93T.200.0050.2AD	M20	50	12.5	30.0	Ti-G2	Comm	Natural	DIN 933
93T.200.0055.2AD	M20	55	12.5	30.0	Ti-G2	Comm	Natural	DIN 933
93T.200.0060.2AD	M20	60	12.5	30.0	Ti-G2	Comm	Natural	DIN 933
93T.200.0065.2AD	M20	65	12.5	30.0	Ti-G2	Comm	Natural	DIN 933
93T.200.0070.2AD	M20	70	12.5	30.0	Ti-G2	Comm	Natural	DIN 933
93T.200.0080.2AD	M20	80	12.5	30.0	Ti-G2	Comm	Natural	DIN 933
93T.200.0090.2AD	M20	90	12.5	30.0	Ti-G2	Comm	Natural	DIN 933
93T.200.0100.2AD	M20	100	12.5	30.0	Ti-G2	Comm	Natural	DIN 933
93T.200.0110.2AD	M20	110	12.5	30.0	Ti-G2	Comm	Natural	DIN 933
93T.200.0120.2AD	M20	120	12.5	30.0	Ti-G2	Comm	Natural	DIN 933
93T.200.0130.2AD	M20	130	12.5	30.0	Ti-G2	Comm	Natural	DIN 933
93T.200.0140.2AD	M20	140	12.5	30.0	Ti-G2	Comm	Natural	DIN 933
93T.200.0150.2AD	M20	150	12.5	30.0	Ti-G2	Comm	Natural	DIN 933