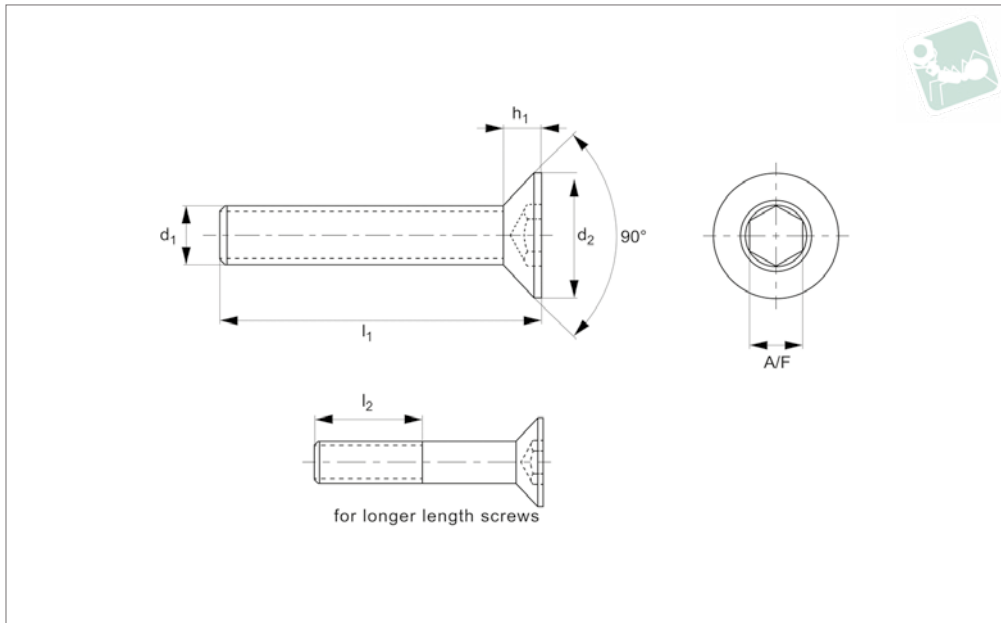




Hexagon Socket Head Csk Cap Screws

DIN 7991, titanium G2

Titanium



T0007.T2

TITANIUM

Material
Titanium G2.

Technical Notes
To DIN 7991

Order No.	Thread	l_1	d_2	h_1	l_2	A/F
T0007.030-010-T2	M 3	10.0	6.0	1.2	-	2.0
T0007.030-015-T2	M 3	15.0	6.0	1.2	12	2.0
T0007.030-020-T2	M 3	20.0	6.0	1.2	12	2.0
T0007.030-025-T2	M 3	25.0	6.0	1.2	12	2.0
T0007.030-030-T2	M 3	30.0	6.0	1.2	12	2.0
T0007.030-035-T2	M 3	35.0	6.0	1.2	12	2.0
T0007.030-040-T2	M 3	40.0	6.0	1.2	12	2.0
T0007.030-045-T2	M 3	45.0	6.0	1.2	12	2.0
T0007.030-050-T2	M 3	50.0	6.0	1.2	12	2.0
T0007.030-055-T2	M 3	55.0	6.0	1.2	12	2.0
T0007.030-060-T2	M 3	60.0	6.0	1.2	12	2.0
T0007.040-010-T2	M 4	10.0	8.0	1.8	-	2.5
T0007.040-015-T2	M 4	15.0	8.0	1.8	-	2.5
T0007.040-020-T2	M 4	20.0	8.0	1.8	14	2.5
T0007.040-025-T2	M 4	25.0	8.0	1.8	14	2.5
T0007.040-030-T2	M 4	30.0	8.0	1.8	14	2.5
T0007.040-035-T2	M 4	35.0	8.0	1.8	14	2.5
T0007.040-040-T2	M 4	40.0	8.0	1.8	14	2.5
T0007.040-045-T2	M 4	45.0	8.0	1.8	14	2.5
T0007.040-050-T2	M 4	50.0	8.0	1.8	14	2.5
T0007.040-055-T2	M 4	55.0	8.0	1.8	14	2.5
T0007.040-060-T2	M 4	60.0	8.0	1.8	14	2.5
T0007.050-010-T2	M 5	10.0	10.0	2.3	-	3.0
T0007.050-015-T2	M 5	15.0	10.0	2.3	-	3.0
T0007.050-020-T2	M 5	20.0	10.0	2.3	16	3.0
T0007.050-025-T2	M 5	25.0	10.0	2.3	16	3.0
T0007.050-030-T2	M 5	30.0	10.0	2.3	16	3.0
T0007.050-035-T2	M 5	35.0	10.0	2.3	16	3.0
T0007.050-040-T2	M 5	40.0	10.0	2.3	16	3.0
T0007.050-045-T2	M 5	45.0	10.0	2.3	16	3.0
T0007.050-050-T2	M 5	50.0	10.0	2.3	16	3.0
T0007.050-055-T2	M 5	55.0	10.0	2.3	16	3.0
T0007.050-060-T2	M 5	60.0	10.0	2.3	16	3.0
T0007.060-010-T2	M 6	10.0	12.0	2.5	-	4.0
T0007.060-015-T2	M 6	15.0	12.0	2.5	-	4.0



Order No.	Thread	l ₁	d ₂	h ₁	l ₂	A/F
T0007.060-020-T2	M 6	20.0	12.0	2.5	18	4.0
T0007.060-025-T2	M 6	25.0	12.0	2.5	18	4.0
T0007.060-030-T2	M 6	30.0	12.0	2.5	18	4.0
T0007.060-035-T2	M 6	35.0	12.0	2.5	18	4.0
T0007.060-040-T2	M 6	40.0	12.0	2.5	18	4.0
T0007.060-045-T2	M 6	45.0	12.0	2.5	18	4.0
T0007.060-050-T2	M 6	50.0	10.5	2.5	18	4
T0007.060-055-T2	M 6	55.0	10.5	2.5	18	4
T0007.060-060-T2	M 6	60.0	10.5	2.5	18	4
T0007.060-075-T2	M 6	75.0	10.5	2.5	18	4
T0007.060-080-T2	M 6	80.0	10.5	2.5	18	4
T0007.060-090-T2	M 6	90.0	10.5	2.5	18	4
T0007.080-010-T2	M 8	10.0	14.0	4.4	20	5
T0007.080-020-T2	M 8	20.0	14.0	4.4	20	5
T0007.080-025-T2	M 8	25.0	14.0	4.4	20	5
T0007.080-030-T2	M 8	30.0	14.0	4.4	20	5
T0007.080-035-T2	M 8	35.0	14.0	4.4	20	5
T0007.080-040-T2	M 8	40.0	14.0	4.4	20	5
T0007.080-045-T2	M 8	45.0	14.0	4.4	20	5
T0007.080-050-T2	M 8	50.0	14.0	4.4	20	5
T0007.080-055-T2	M 8	55.0	14.0	4.4	20	5
T0007.080-060-T2	M 8	60.0	14.0	4.4	20	5
T0007.080-065-T2	M 8	65.0	14.0	4.4	20	5
T0007.080-070-T2	M 8	70.0	14.0	4.4	20	5
T0007.080-080-T2	M 8	80.0	14.0	4.4	20	5
T0007.080-090-T2	M 8	90.0	14.0	4.4	20	5
T0007.080-100-T2	M 8	100.0	14.0	4.4	20	5
T0007.100-020-T2	M10	20.0	17.5	5.5	22	6
T0007.100-025-T2	M10	25.0	17.6	5.5	22	6
T0007.100-030-T2	M10	30.0	17.8	5.5	22	6
T0007.100-035-T2	M10	35.0	17.10	5.5	22	6
T0007.100-040-T2	M10	40.0	17.12	5.5	22	6
T0007.100-045-T2	M10	45.0	17.14	5.5	22	6
T0007.100-050-T2	M10	50.0	17.16	5.5	22	6
T0007.100-055-T2	M10	55.0	17.18	5.5	22	6
T0007.100-060-T2	M10	60.0	17.20	5.5	22	6
T0007.100-065-T2	M10	65.0	17.22	5.5	22	6
T0007.100-070-T2	M10	70.0	17.24	5.5	22	6
T0007.100-075-T2	M10	75.0	17.26	5.5	22	6
T0007.100-080-T2	M10	80.0	17.28	5.5	22	6
T0007.100-090-T2	M10	90.0	17.30	5.5	22	6
T0007.100-100-T2	M10	100.0	17.32	5.5	22	6
T0007.120-020-T2	M12	20.0	21.0	6.6	24	8
T0007.120-025-T2	M12	25.0	21.0	6.6	24	8
T0007.120-030-T2	M12	30.0	21.0	6.6	24	8
T0007.120-035-T2	M12	35.0	21.0	6.6	24	8
T0007.120-040-T2	M12	40.0	21.0	6.6	24	8
T0007.120-045-T2	M12	45.0	21.0	6.6	24	8
T0007.120-050-T2	M12	50.0	21.0	6.6	24	8
T0007.120-060-T2	M12	60.0	21.0	6.6	24	8
T0007.120-065-T2	M12	65.0	21.0	6.6	24	8
T0007.120-070-T2	M12	70.0	21.0	6.6	24	8
T0007.120-080-T2	M12	80.0	21.0	6.6	24	8
T0007.120-090-T2	M12	90.0	21.0	6.6	24	8
T0007.120-100-T2	M12	100.0	21.0	6.6	24	8