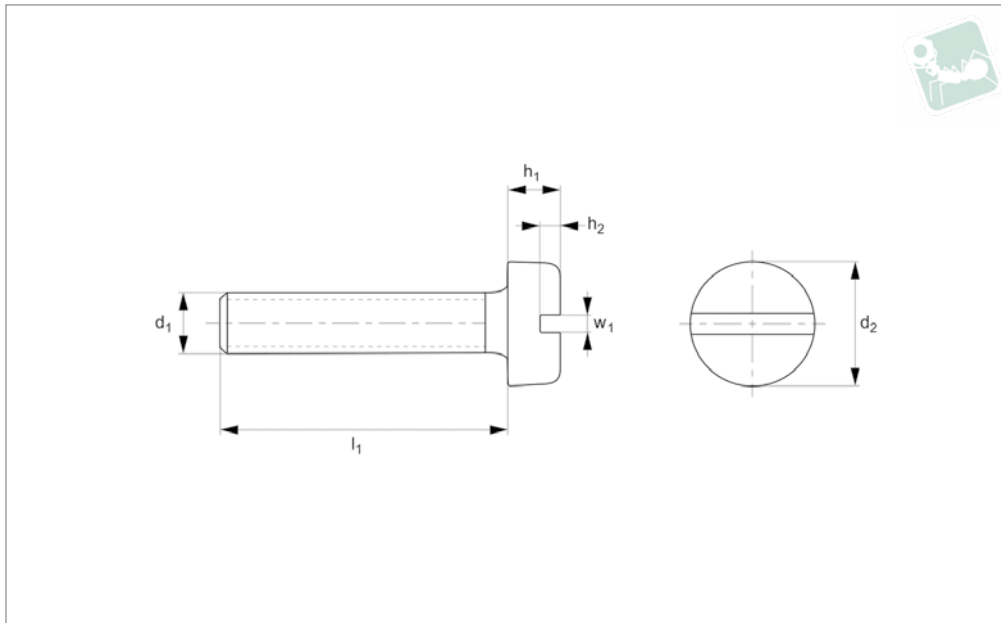




Slotted Cheese Head Screws

DIN 84, Titanium G2

Titanium



T0001.T2

TITANIUM

Material

Titanium Grade 2 (T40)

Technical Notes

To DIN 84.

Order No.	d ₁	l ₁	w ₁	h ₁	d ₂	h ₂	Material
T0001.030-010-T2	M 3	10.0	0.80	2.0	5.5	0.85	Titanium G2
T0001.030-015-T2	M 3	15.0	0.80	2.0	5.5	0.85	Titanium G2
T0001.030-020-T2	M 3	20.0	0.80	2.0	5.5	0.85	Titanium G2
T0001.030-025-T2	M 3	25.0	0.80	2.0	5.5	0.85	Titanium G2
T0001.030-030-T2	M 3	30.0	0.80	2.0	5.5	0.85	Titanium G2
T0001.030-035-T2	M 3	35.0	0.80	2.0	5.5	0.85	Titanium G2
T0001.030-040-T2	M 3	40.0	0.80	2.0	5.5	0.85	Titanium G2
T0001.030-045-T2	M 3	45.0	0.80	2.0	5.5	0.85	Titanium G2
T0001.030-050-T2	M 3	50.0	0.80	2.0	5.5	0.85	Titanium G2
T0001.030-055-T2	M 3	55.0	0.80	2.0	5.5	0.85	Titanium G2
T0001.030-060-T2	M 3	60.0	0.80	2.0	5.5	0.85	Titanium G2
T0001.040-010-T2	M 4	10.0	1.20	2.6	7.0	1.10	Titanium G2
T0001.040-015-T2	M 4	15.0	1.20	2.6	7.0	1.10	Titanium G2
T0001.040-020-T2	M 4	20.0	1.20	2.6	7.0	1.10	Titanium G2
T0001.040-025-T2	M 4	25.0	1.20	2.6	7.0	1.10	Titanium G2
T0001.040-030-T2	M 4	30.0	1.20	2.6	7.0	1.10	Titanium G2
T0001.040-035-T2	M 4	35.0	1.20	2.6	7.0	1.10	Titanium G2
T0001.040-040-T2	M 4	40.0	1.20	2.6	7.0	1.10	Titanium G2
T0001.040-045-T2	M 4	45.0	1.20	2.6	7.0	1.10	Titanium G2
T0001.040-050-T2	M 4	50.0	1.20	2.6	7.0	1.10	Titanium G2
T0001.040-055-T2	M 4	55.0	1.20	2.6	7.0	1.10	Titanium G2
T0001.040-060-T2	M 4	60.0	1.20	2.6	7.0	1.10	Titanium G2
T0001.050-010-T2	M 5	10.0	1.20	3.3	8.5	1.30	Titanium G2
T0001.050-015-T2	M 5	15.0	1.20	3.3	8.5	1.30	Titanium G2
T0001.050-020-T2	M 5	20.0	1.20	3.3	8.5	1.30	Titanium G2
T0001.050-025-T2	M 5	25.0	1.20	3.3	8.5	1.30	Titanium G2
T0001.050-030-T2	M 5	30.0	1.20	3.3	8.5	1.30	Titanium G2
T0001.050-035-T2	M 5	35.0	1.20	3.3	8.5	1.30	Titanium G2
T0001.050-040-T2	M 5	40.0	1.20	3.3	8.5	1.30	Titanium G2
T0001.050-045-T2	M 5	45.0	1.20	3.3	8.5	1.30	Titanium G2
T0001.050-050-T2	M 5	50.0	1.20	3.3	8.5	1.30	Titanium G2
T0001.050-055-T2	M 5	55.0	1.20	3.3	8.5	1.30	Titanium G2
T0001.050-060-T2	M 5	60.0	1.20	3.3	8.5	1.30	Titanium G2
T0001.060-010-T2	M 6	10.0	1.60	3.9	10.0	1.60	Titanium G2
T0001.060-015-T2	M 6	15.0	1.60	3.9	10.0	1.60	Titanium G2



Order No.	d ₁	l ₁	w ₁	h ₁	d ₂	h ₂	Material
T0001.060-020-T2	M 6	20.0	1.60	3.9	10.0	1.60	Titanium G2
T0001.060-025-T2	M 6	25.0	1.60	3.9	10.0	1.60	Titanium G2
T0001.060-030-T2	M 6	30.0	1.60	3.9	10.0	1.60	Titanium G2
T0001.060-035-T2	M 6	35.0	1.60	3.9	10.0	1.60	Titanium G2
T0001.060-040-T2	M 6	40.0	1.60	3.9	10.0	1.60	Titanium G2
T0001.060-045-T2	M 6	45.0	1.60	3.9	10.0	1.60	Titanium G2
T0001.060-050-T2	M 6	50.0	1.60	3.9	10.0	1.60	Titanium G2
T0001.060-055-T2	M 6	55.0	1.60	3.9	10.0	1.60	Titanium G2
T0001.060-060-T2	M 6	60.0	1.60	3.9	10.0	1.60	Titanium G2
T0001.060-065-T2	M 6	65.0	1.60	3.9	10.0	1.60	Titanium G3
T0001.060-070-T2	M 6	70.0	1.60	3.9	10.0	1.60	Titanium G4
T0001.060-080-T2	M 6	80.0	1.60	3.9	10.0	1.60	Titanium G5
T0001.060-090-T2	M 6	90.0	1.60	3.9	10.0	1.60	Titanium G6
T0001.060-100-T2	M 6	100.0	1.60	3.9	10.0	1.60	Titanium G7
T0001.080-020-T2	M 8	20.0	2.00	5.0	13.0	2.00	Titanium G2
T0001.080-025-T2	M 8	25.0	2.00	5.0	13.0	2.00	Titanium G2
T0001.080-030-T2	M 8	30.0	2.00	5.0	13.0	2.00	Titanium G2
T0001.080-035-T2	M 8	35.0	2.00	5.0	13.0	2.00	Titanium G2
T0001.080-040-T2	M 8	40.0	2.00	5.0	13.0	2.00	Titanium G2
T0001.080-045-T2	M 8	45.0	2.00	5.0	13.0	2.00	Titanium G2
T0001.080-050-T2	M 8	50.0	2.00	5.0	13.0	2.00	Titanium G2
T0001.080-055-T2	M 8	55.0	2.00	5.0	13.0	2.00	Titanium G2
T0001.080-060-T2	M 8	60.0	2.00	5.0	13.0	2.00	Titanium G2
T0001.080-065-T2	M 8	65.0	2.00	5.0	13.0	2.00	Titanium G2
T0001.080-070-T2	M 8	70.0	2.00	5.0	13.0	2.00	Titanium G2
T0001.080-080-T2	M 8	80.0	2.00	5.0	13.0	2.00	Titanium G2
T0001.080-090-T2	M 8	90.0	2.00	5.0	13.0	2.00	Titanium G2
T0001.080-100-T2	M 8	100.0	2.00	5.0	13.0	2.00	Titanium G2
T0001.100-020-T2	M10	20.0	2.50	6.0	16.0	2.40	Titanium G2
T0001.100-025-T2	M10	25.0	2.50	6.0	16.0	2.40	Titanium G2
T0001.100-030-T2	M10	30.0	2.50	6.0	16.0	2.40	Titanium G2
T0001.100-035-T2	M10	35.0	2.50	6.0	16.0	2.40	Titanium G2
T0001.100-040-T2	M10	40.0	2.50	6.0	16.0	2.40	Titanium G2
T0001.100-045-T2	M10	45.0	2.50	6.0	16.0	2.40	Titanium G2
T0001.100-050-T2	M10	50.0	2.50	6.0	16.0	2.40	Titanium G2
T0001.100-055-T2	M10	55.0	2.50	6.0	16.0	2.40	Titanium G2
T0001.100-060-T2	M10	60.0	2.50	6.0	16.0	2.40	Titanium G2
T0001.100-065-T2	M10	65.0	2.50	6.0	16.0	2.40	Titanium G2
T0001.100-070-T2	M10	70.0	2.50	6.0	16.0	2.40	Titanium G2
T0001.100-080-T2	M10	80.0	2.50	6.0	16.0	2.40	Titanium G2
T0001.100-090-T2	M10	90.0	2.50	6.0	16.0	2.40	Titanium G2
T0001.100-100-T2	M10	100.0	2.50	6.0	16.0	2.40	Titanium G2
T0001.120-025-T2	M12	25.0	-	7.0	19.0	2.80	Titanium G2
T0001.120-030-T2	M12	30.0	-	7.0	19.0	2.80	Titanium G2
T0001.120-035-T2	M12	35.0	-	7.0	19.0	2.80	Titanium G2
T0001.120-040-T2	M12	40.0	-	7.0	19.0	2.80	Titanium G2
T0001.120-045-T2	M12	45.0	-	7.0	19.0	2.80	Titanium G2
T0001.120-050-T2	M12	50.0	-	7.0	19.0	2.80	Titanium G2
T0001.120-055-T2	M12	55.0	-	7.0	19.0	2.80	Titanium G2
T0001.120-060-T2	M12	60.0	-	7.0	19.0	2.80	Titanium G2
T0001.120-065-T2	M12	65.0	-	7.0	19.0	2.80	Titanium G2
T0001.120-070-T2	M12	70.0	-	7.0	19.0	2.80	Titanium G2
T0001.120-080-T2	M12	80.0	-	7.0	19.0	2.80	Titanium G2
T0001.120-090-T2	M12	90.0	-	7.0	19.0	2.80	Titanium G2
T0001.120-100-T2	M12	100.0	-	7.0	19.0	2.80	Titanium G2