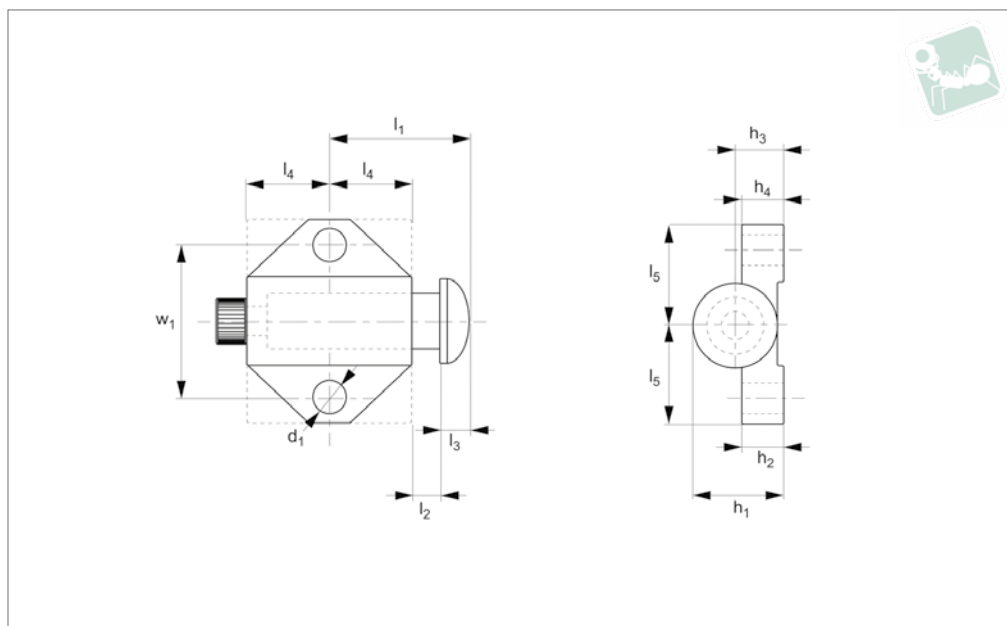




Spring Stop - Inch round nose

Spring Loaded Pins



SL2615

SPRING LOADED PINS

Material

Body: Aluminium.
Nose: Steel 12L14.

clamping.

Tips

Ideal for holding and securing parts while

| Order No. | Mounting base | d ₁ | l ₁ | l ₂ | l ₃ | l ₄ | l ₅ | h ₃ | h ₄ | h ₅ mm | w ₁ | w ₂ | Spring force f ₁ N | Spring force f ₂ N |
|------------------|---------------|----------------|----------------|----------------|----------------|----------------|----------------|----------------|----------------|----------------------|----------------|----------------|----------------------------------|----------------------------------|
| SL2615.I12-043-A | Triangle | 3.25 | 15.08 | 3.18 | 3.18 | 8.73 | 11.1 | 5.56 | 4.76 | 5.55 | 16.67 | 9.53 | 22.3 | 66.75 |
| SL2615.I18-075-A | Square | 4.90 | 23.81 | 4.76 | 4.76 | 12.7 | 19.1 | 7.94 | 6.35 | 22.22 | 28.58 | 14.29 | 8.90 | 115.7 |
| SL2615.I25-100-A | Square | 6.53 | 29.77 | 6.35 | 6.35 | 17.5 | 25.4 | 13.5 | 7.94 | 34.13 | 38.10 | 20.64 | 71.2 | 213.6 |