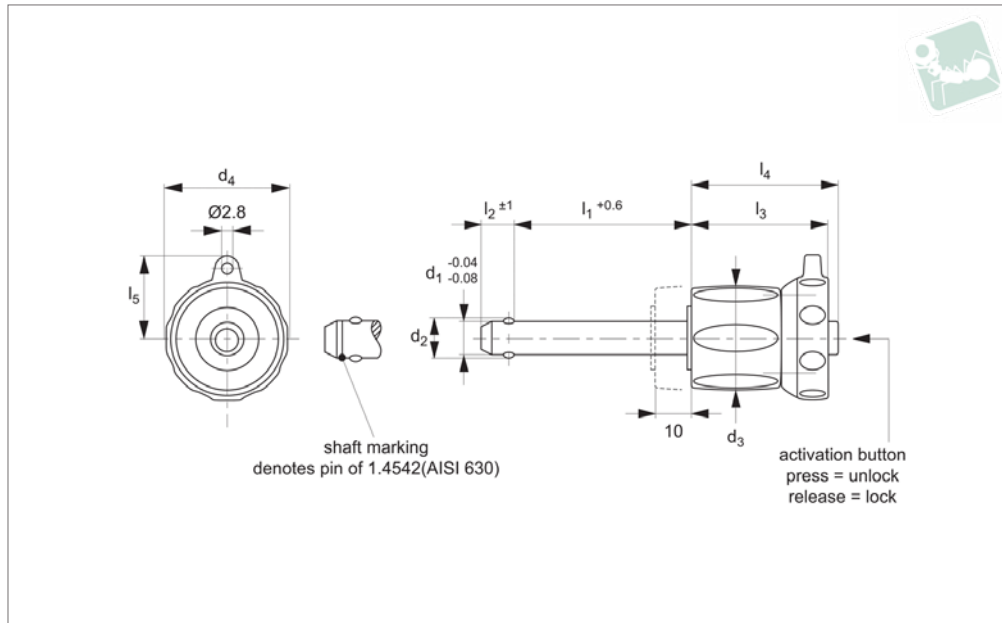




Ball Lock Pins - Single Acting

self-locking - adj. length - stainless 1.4305

Quick Release Pins



QR1804

QUICK RELEASE PINS

Material

Pin: stainless steel 1.4305 (AISI 303).
Ball: stainless steel 1.3541
Spring: stainless steel.
Adj. Grip: thermoplastic, grey/black.

Technical Notes

Pressing = unlocking.
Releasing = locking.

Unique design; adj.grip offers up to 10mm of clamping stroke on pin length l_1 after installation.

Temperature resistance -30°C to +80°C.
For quick fastening and locking of frequently repeated connections, with additional clamping capacity of up to 10mm stroke.

Tips

For lanyards & retaining cables see part no.LA1066. Easy install locating bushes available see part no.LA1310.

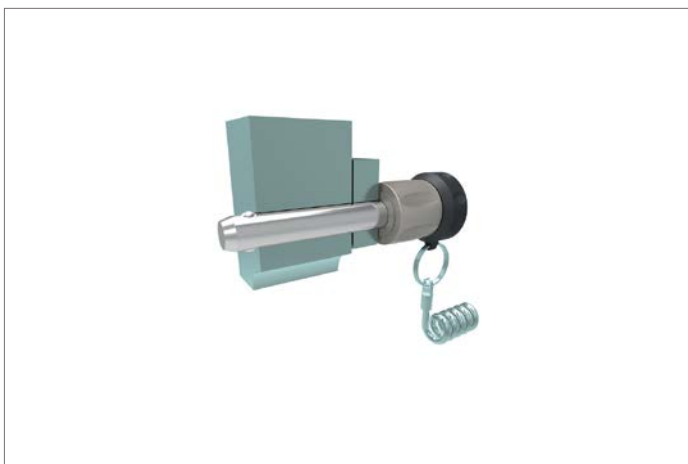
Important Notes

*Shearing resistance similar to DIN 50141.

Order No.	d_1	l_1	Material	d_2	d_3	d_4	l_2	l_3	l_4	l_5	Loc'n hole tol. H11	Shearing resistance, double min. kN	Weight g
QR1804.M05-000-S	5	0 - 10	Stainless 1.4305	5.5	17.6	23.6	6.0	25.7	26.2	15.9	5	14	24
QR1804.M05-005-S	5	5 - 15	Stainless 1.4305	5.5	17.6	23.6	6.0	25.7	26.2	15.9	5	14	25
QR1804.M05-010-S	5	10 - 20	Stainless 1.4305	5.5	17.6	23.6	6.0	25.7	26.2	15.9	5	14	26
QR1804.M05-015-S	5	15 - 25	Stainless 1.4305	5.5	17.6	23.6	6.0	25.7	26.2	15.9	5	14	27
QR1804.M05-020-S	5	20 - 30	Stainless 1.4305	5.5	17.6	23.6	6.0	25.7	26.2	15.9	5	14	27
QR1804.M06-000-S	6	0 - 10	Stainless 1.4305	7.0	17.6	23.6	7.0	25.7	26.2	15.9	6	21	25
QR1804.M06-005-S	6	5 - 15	Stainless 1.4305	7.0	17.6	23.6	7.0	25.7	26.2	15.9	6	21	26
QR1804.M06-010-S	6	10 - 20	Stainless 1.4305	7.0	17.6	23.6	7.0	25.7	26.2	15.9	6	21	27
QR1804.M06-015-S	6	15 - 25	Stainless 1.4305	7.0	17.6	23.6	7.0	25.7	26.2	15.9	6	21	28
QR1804.M06-020-S	6	20 - 30	Stainless 1.4305	7.0	17.6	23.6	7.0	25.7	26.2	15.9	6	21	29
QR1804.M06-025-S	6	25 - 35	Stainless 1.4305	7.0	17.6	23.6	7.0	25.7	26.2	15.9	6	21	30
QR1804.M06-030-S	6	30 - 40	Stainless 1.4305	7.0	17.6	23.6	7.0	25.7	26.2	15.9	6	21	31
QR1804.M06-035-S	6	35 - 45	Stainless 1.4305	7.0	17.6	23.6	7.0	25.7	26.2	15.9	6	21	32



Order No.	d ₁	l ₁	Material	d ₂	d ₃	d ₄	l ₂	l ₃	l ₄	l ₅	Loc'n hole tol. H11	Shearing resistance, double kN min.	Weight g
QR1804.M06-040-S	6	40 - 50	Stainless 1.4305	7.0	17.6	23.6	7.0	25.7	26.2	15.9	6	21	33
QR1804.M08-010-S	8	10 - 20	Stainless 1.4305	9.6	23.0	27.6	8.2	31.2	33.1	18.0	8	38	57
QR1804.M08-015-S	8	15 - 25	Stainless 1.4305	9.6	23.0	27.6	8.2	31.2	33.1	18.0	8	38	58
QR1804.M08-020-S	8	20 - 30	Stainless 1.4305	9.6	23.0	27.6	8.2	31.2	33.1	18.0	8	38	60
QR1804.M08-025-S	8	25 - 35	Stainless 1.4305	9.6	23.0	27.6	8.2	31.2	33.1	18.0	8	38	62
QR1804.M08-030-S	8	30 - 40	Stainless 1.4305	9.6	23.0	27.6	8.2	31.2	33.1	18.0	8	38	64
QR1804.M08-035-S	8	35 - 45	Stainless 1.4305	9.6	23.0	27.6	8.2	31.2	33.1	18.0	8	38	66
QR1804.M08-040-S	8	40 - 50	Stainless 1.4305	9.6	23.0	27.6	8.2	31.2	33.1	18.0	8	38	68
QR1804.M10-010-S	10	10 - 20	Stainless 1.4305	12.0	23.0	27.6	9.6	31.2	33.1	18.0	10	60	63
QR1804.M10-015-S	10	15 - 25	Stainless 1.4305	12.0	23.0	27.6	9.6	31.2	33.1	18.0	10	60	66
QR1804.M10-020-S	10	20 - 30	Stainless 1.4305	12.0	23.0	27.6	9.6	31.2	33.1	18.0	10	60	69
QR1804.M10-025-S	10	25 - 35	Stainless 1.4305	12.0	23.0	27.6	9.6	31.2	33.1	18.0	10	60	72
QR1804.M10-030-S	10	30 - 40	Stainless 1.4305	12.0	23.0	27.6	9.6	31.2	33.1	18.0	10	60	75
QR1804.M10-035-S	10	35 - 45	Stainless 1.4305	12.0	23.0	27.6	9.6	31.2	33.1	18.0	10	60	78
QR1804.M10-040-S	10	40 - 50	Stainless 1.4305	12.0	23.0	27.6	9.6	31.2	33.1	18.0	10	60	81
QR1804.M10-050-S	10	50 - 60	Stainless 1.4305	12.0	23.0	27.6	9.6	31.2	33.1	18.0	10	60	87
QR1804.M12-015-S	12	15 - 25	Stainless 1.4305	14.5	29.0	34.6	10.6	36.7	39.5	21.8	12	87	123
QR1804.M12-020-S	12	20 - 30	Stainless 1.4305	14.5	29.0	34.6	10.6	36.7	39.5	21.8	12	87	127
QR1804.M12-025-S	12	25 - 35	Stainless 1.4305	14.5	29.0	34.6	10.6	36.7	39.5	21.8	12	87	131
QR1804.M12-030-S	12	30 - 40	Stainless 1.4305	14.5	29.0	34.6	10.6	36.7	39.5	21.8	12	87	135
QR1804.M12-035-S	12	35 - 45	Stainless 1.4305	14.5	29.0	34.6	10.6	36.7	39.5	21.8	12	87	140
QR1804.M12-040-S	12	40 - 50	Stainless 1.4305	14.5	29.0	34.6	10.6	36.7	39.5	21.8	12	87	144
QR1804.M12-050-S	12	50 - 60	Stainless 1.4305	14.5	29.0	34.6	10.6	36.7	39.5	21.8	12	87	152





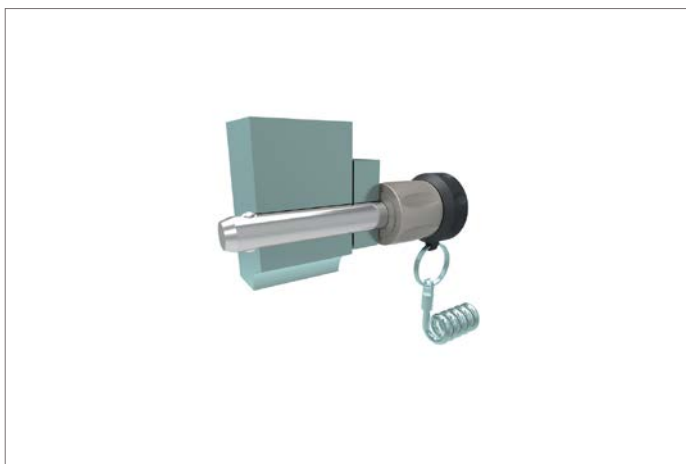
Ball Lock Pins - Single Acting

self-locking - adj. length - stainless 1.4305

Quick Release Pins

Order No.	d ₁	l ₁	Material	d ₂	d ₃	d ₄	l ₂	l ₃	l ₄	l ₅	Loc'n hole tol. H11	Shearing resistance, double kN min.	Weight g
QR1804.M12-060-S	12	60 - 70	Stainless 1.4305	14.5	29.0	34.6	10.6	36.7	39.5	21.8	12	87	161
QR1804.M12-070-S	12	70 - 80	Stainless 1.4305	14.5	29.0	34.6	10.6	36.7	39.5	21.8	12	87	169
QR1804.M16-020-S	16	20 - 30	Stainless 1.4305	19.0	29.0	34.6	14.0	36.7	39.5	21.8	16	155	159
QR1804.M16-025-S	16	25 - 35	Stainless 1.4305	19.0	29.0	34.6	14.0	36.7	39.5	21.8	16	155	166
QR1804.M16-030-S	16	30 - 40	Stainless 1.4305	19.0	29.0	34.6	14.0	36.7	39.5	21.8	16	155	174
QR1804.M16-035-S	16	35 - 45	Stainless 1.4305	19.0	29.0	34.6	14.0	36.7	39.5	21.8	16	155	182
QR1804.M16-040-S	16	40 - 50	Stainless 1.4305	19.0	29.0	34.6	14.0	36.7	39.5	21.8	16	155	189
QR1804.M16-050-S	16	50 - 60	Stainless 1.4305	19.0	29.0	34.6	14.0	36.7	39.5	21.8	16	155	205
QR1804.M16-060-S	16	60 - 70	Stainless 1.4305	19.0	29.0	34.6	14.0	36.7	39.5	21.8	16	155	220
QR1804.M16-070-S	16	70 - 80	Stainless 1.4305	19.0	29.0	34.6	14.0	36.7	39.5	21.8	16	155	235

QUICK RELEASE PINS





Sound Rigging Systems

Ball lock pins on a sound rigging system. Offering secure fixing with high shear forces and easy fitting for operators at heights.

In addition full black powder coating of grip and actuation button eliminates glare from other stage lighting.

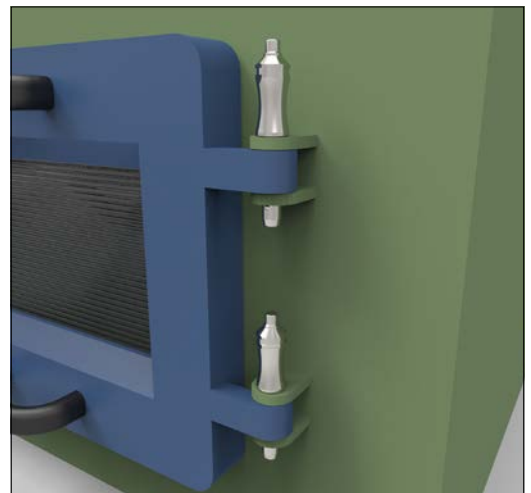


QUICK RELEASE PINS

Gym Equipment



Scientific and Medical





Wixroyd Ball Lock Pins

features

33060 - 33250

Positioning Elements

QUICK RELEASE PINS

1.4305 (AISI 303) - shear force approx. 60% of higher material version 1.4542

1.4542 (AISI 630) - identified by the ridge on the pin

CRES 17-4PH (AMS 5643) aviation standard



Pin Material

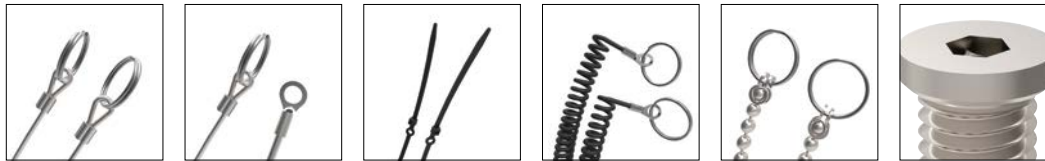


Handle Style

Plastic tri-star T-handled, metal L-handled, metal Mushroom, metal Single piece metal, contoured

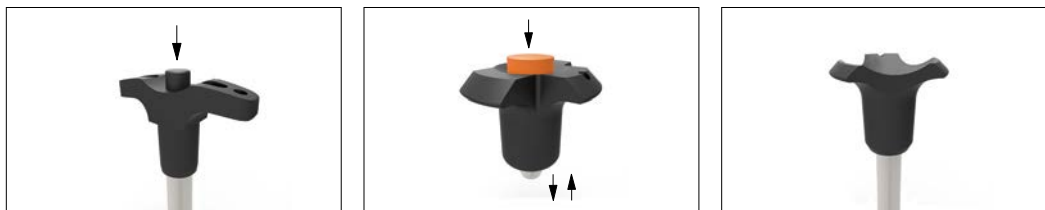


Special plastic self-spring Adjustable grip length, plastic Key ring Safety, metal Mushroom Type B aviation Type R aviation



Lanyards and Locating Bushes

Stainless wire - (coated) - 2 x key ring Stainless wire - Key ring and fixing loop Plastic - 2 x cable tie Steel wire - (coated) - 2 x key ring Stainless bead chain - 2 x key ring Locating bushes



Actuation

Press = unlock
Release = lock (standard)

Press = unlock and position
Release = lock and simultaneous clamp

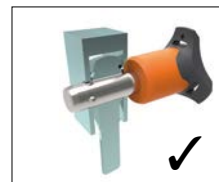
Simple spring loaded balls "pullout pin"

Important Note

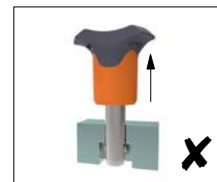
Important Note: Ball lock pins are not suited to lifting applications!
For quick release lifting pins, see part 33400.



Shear force



Lifting force



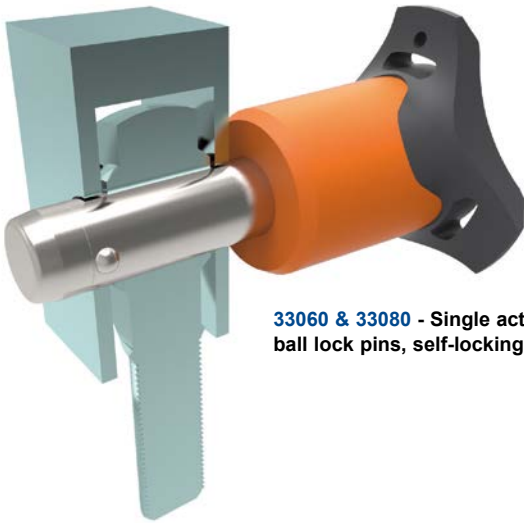
Variations on our standard designs are possible, please contact our sales team for technical assistance. Quick production on specials can be as little as 3 weeks.

Special Variations



Applications

- Positioning.
- Lifting.
- Locking.
- Indexing.
- Joining.



33060 & 33080 - Single acting ball lock pins, self-locking.



33194 - Single acting ball lock pins, self locking, simple finish.



33140 - Socket pins, non-locking, spring loaded balls.



33100 - Single acting ball lock pin, self locking.



33180 - Clamping pins, with span compensation, self-locking.



33250 & 33270 - Lanyards.



33220 - Ball lock pins, single acting - L-handle