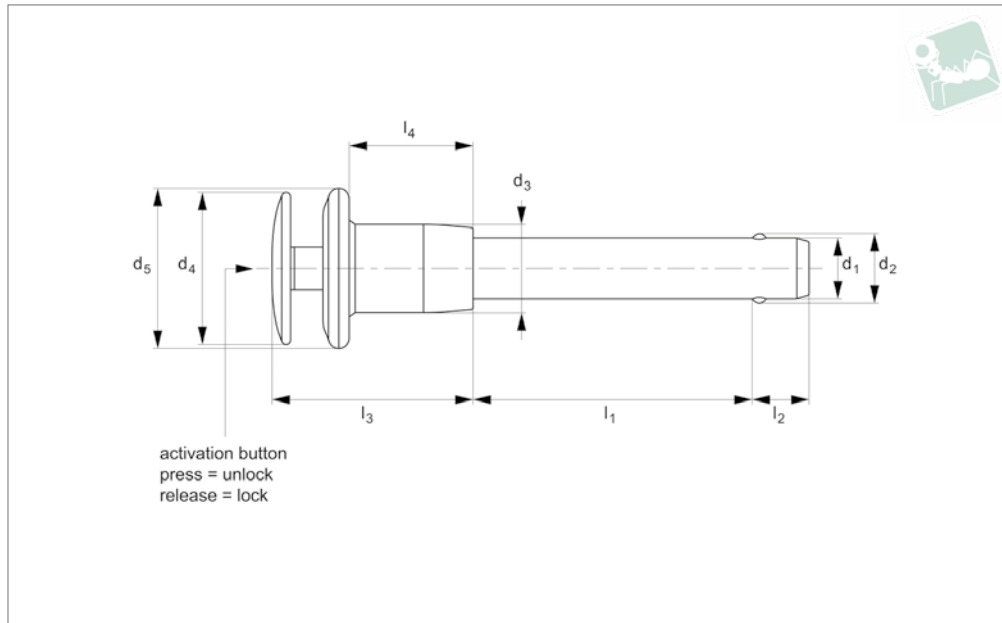




Quick Release Pins - Inch - Dome

stainless pin - stainless handle

Quick Release Pins



QR1574

QUICK RELEASE PINS

Material

Pin: stainless steel, AISI 304 (DIN 1.4301) or AISI 303 (DIN 1.4305), passivated.
Tensile strength 500 N/mm² min. RoHS compliant.
Handle: stainless steel, AISI 303 (DIN 1.4305), passivated.
Actuator button: stainless steel, AISI 303 (DIN 1.4305), passivated.
Internal spindle, balls; from stainless

steel.

Technical Notes

Pressing = unlocking.
Releasing = locking.
Temperature range -30°C to +150°C
Use of split ring on this model is not advised, as may interfere with operation of activation button. Locating hole for attachment of wire lanyard is present to

enable securing of quick release pin to assembly.

Tips

For quick fastening and locking frequently repeated connections.
For lanyards & retaining cables see part nos. L to LA1224. For easy install locating bushes and end caps see part nos. LA1260 to LA1355.

Order No.	d ₁ min.	d ₁ max.	d ₁ nom.	l ₁ grip +0.02 - 0.00	Material	d ₂ ±0.005	d ₃	d ₄	d ₅	l ₂ +0.000 -0.030	l ₃	l ₄	Loc'n hole min. max.	Pull out strength lb min.	Calc. double shear lb
QR1574.I25-050-S	,2470	,2485	1/4	0,50	304 SS	0,289	0,47	0,75	0,81	0,290	1,00	0,63	,2500/,2540	230	2200
QR1574.I25-075-S	,2470	,2485	1/4	0,75	304 SS	0,289	0,47	0,75	0,81	0,290	1,00	0,63	,2500/,2540	230	2200
QR1574.I25-100-S	,2470	,2485	1/4	1,00	304 SS	0,289	0,47	0,75	0,81	0,290	1,00	0,63	,2500/,2540	230	2200
QR1574.I25-125-S	,2470	,2485	1/4	1,25	304 SS	0,289	0,47	0,75	0,81	0,290	1,00	0,63	,2500/,2540	230	2200
QR1574.I25-150-S	,2470	,2485	1/4	1,50	304 SS	0,289	0,47	0,75	0,81	0,290	1,00	0,63	,2500/,2540	230	2200
QR1574.I25-175-S	,2470	,2485	1/4	1,75	304 SS	0,289	0,47	0,75	0,81	0,290	1,00	0,63	,2500/,2540	230	2200
QR1574.I25-200-S	,2470	,2485	1/4	2,00	304 SS	0,289	0,47	0,75	0,81	0,290	1,00	0,63	,2500/,2540	230	2200
QR1574.I25-250-S	,2470	,2485	1/4	2,50	304 SS	0,289	0,47	0,75	0,81	0,290	1,00	0,63	,2500/,2540	230	2200
QR1574.I25-300-S	,2470	,2485	1/4	3,00	304 SS	0,289	0,47	0,75	0,81	0,290	1,00	0,63	,2500/,2540	230	2200
QR1574.I25-350-S	,2470	,2485	1/4	3,50	304 SS	0,289	0,47	0,75	0,81	0,290	1,00	0,63	,2500/,2540	230	2200
QR1574.I25-400-S	,2470	,2485	1/4	4,00	304 SS	0,289	0,47	0,75	0,81	0,290	1,00	0,63	,2500/,2540	230	2200
QR1574.I31-050-S	,3095	,3110	5/16	0,50	304 SS	0,375	0,47	0,75	0,81	0,330	1,00	0,63	,3125/,3165	510	3500
QR1574.I31-075-S	,3095	,3110	5/16	0,75	304 SS	0,375	0,47	0,75	0,81	0,330	1,00	0,63	,3125/,3165	510	3500
QR1574.I31-100-S	,3095	,3110	5/16	1,00	304 SS	0,375	0,47	0,75	0,81	0,330	1,00	0,63	,3125/,3165	510	3500
QR1574.I31-125-S	,3095	,3110	5/16	1,25	304 SS	0,375	0,47	0,75	0,81	0,330	1,00	0,63	,3125/,3165	510	3500
QR1574.I31-150-S	,3095	,3110	5/16	1,50	304 SS	0,375	0,47	0,75	0,81	0,330	1,00	0,63	,3125/,3165	510	3500
QR1574.I31-175-S	,3095	,3110	5/16	1,75	304 SS	0,375	0,47	0,75	0,81	0,330	1,00	0,63	,3125/,3165	510	3500
QR1574.I31-200-S	,3095	,3110	5/16	2,00	304 SS	0,375	0,47	0,75	0,81	0,330	1,00	0,63	,3125/,3165	510	3500
QR1574.I31-250-S	,3095	,3110	5/16	2,50	304 SS	0,375	0,47	0,75	0,81	0,330	1,00	0,63	,3125/,3165	510	3500
QR1574.I31-300-S	,3095	,3110	5/16	3,00	304 SS	0,375	0,47	0,75	0,81	0,330	1,00	0,63	,3125/,3165	510	3500
QR1574.I31-350-S	,3095	,3110	5/16	3,50	304 SS	0,375	0,47	0,75	0,81	0,330	1,00	0,63	,3125/,3165	510	3500
QR1574.I31-400-S	,3095	,3110	5/16	4,00	304 SS	0,375	0,47	0,75	0,81	0,330	1,00	0,63	,3125/,3165	510	3500
QR1574.I37-050-S	,3720	,3735	3/8	0,50	304 SS	0,440	0,56	0,93	0,94	0,365	1,12	0,70	,3750/,3790	575	4500
QR1574.I37-075-S	,3720	,3735	3/8	0,75	304 SS	0,440	0,56	0,93	0,94	0,365	1,12	0,70	,3750/,3790	575	4500
QR1574.I37-100-S	,3720	,3735	3/8	1,00	304 SS	0,440	0,56	0,93	0,94	0,365	1,12	0,70	,3750/,3790	575	4500

Quick Release Pins

Quick Release Pins - Inch - Dome

stainless pin - stainless handle



QUICK RELEASE PINS

Order No.	d ₁ min.	d ₁ max.	d ₁ nom.	l ₁ grip +0.02 - 0.00	Material	d ₂ ±0.005	d ₃	d ₄	d ₅	l ₂ +0.000 -0.030	l ₃	l ₄	Loc'n hole min. max.	Pull out strength lb min.	Calc. double shear lb
QR1574.I37-125-S	,3720	,3735	3/8	1,25	304 SS	0,440	0,56	0,93	0,94	0,365	1,12	0,70	,3750/,3790	575	4500
QR1574.I37-150-S	,3720	,3735	3/8	1,50	304 SS	0,440	0,56	0,93	0,94	0,365	1,12	0,70	,3750/,3790	575	4500
QR1574.I37-175-S	,3720	,3735	3/8	1,75	304 SS	0,440	0,56	0,93	0,94	0,365	1,12	0,70	,3750/,3790	575	4500
QR1574.I37-200-S	,3720	,3735	3/8	2,00	304 SS	0,440	0,56	0,93	0,94	0,365	1,12	0,70	,3750/,3790	575	4500
QR1574.I37-250-S	,3720	,3735	3/8	2,50	304 SS	0,440	0,56	0,93	0,94	0,365	1,12	0,70	,3750/,3790	575	4500
QR1574.I37-300-S	,3720	,3735	3/8	3,00	304 SS	0,440	0,56	0,93	0,94	0,365	1,12	0,70	,3750/,3790	575	4500
QR1574.I37-350-S	,3720	,3735	3/8	3,50	304 SS	0,440	0,56	0,93	0,94	0,365	1,12	0,70	,3750/,3790	575	4500
QR1574.I37-400-S	,3720	,3735	3/8	4,00	304 SS	0,440	0,56	0,93	0,94	0,365	1,12	0,70	,3750/,3790	575	4500
QR1574.I50-100-S	,4970	,4985	1/2	1,00	304 SS	0,594	0,72	1,30	1,12	0,460	1,41	0,85	,5000/,5050	1160	11500
QR1574.I50-125-S	,4970	,4985	1/2	1,25	304 SS	0,594	0,72	1,30	1,12	0,460	1,41	0,85	,5000/,5050	1160	11500
QR1574.I50-150-S	,4970	,4985	1/2	1,50	304 SS	0,594	0,72	1,30	1,12	0,460	1,41	0,85	,5000/,5050	1160	11500
QR1574.I50-175-S	,4970	,4985	1/2	1,75	304 SS	0,594	0,72	1,30	1,12	0,460	1,41	0,85	,5000/,5050	1160	11500
QR1574.I50-200-S	,4970	,4985	1/2	2,00	304 SS	0,594	0,72	1,30	1,12	0,460	1,41	0,85	,5000/,5050	1160	11500
QR1574.I50-250-S	,4970	,4985	1/2	2,50	304 SS	0,594	0,72	1,30	1,12	0,460	1,41	0,85	,5000/,5050	1160	11500
QR1574.I50-300-S	,4970	,4985	1/2	3,00	304 SS	0,594	0,72	1,30	1,12	0,460	1,41	0,85	,5000/,5050	1160	11500
QR1574.I50-350-S	,4970	,4985	1/2	3,50	304 SS	0,594	0,72	1,30	1,12	0,460	1,41	0,85	,5000/,5050	1160	11500
QR1574.I50-400-S	,4970	,4985	1/2	4,00	304 SS	0,594	0,72	1,30	1,12	0,460	1,41	0,85	,5000/,5050	1160	11500
QR1574.I50-450-S	,4970	,4985	1/2	4,50	304 SS	0,594	0,72	1,30	1,12	0,460	1,41	0,85	,5000/,5050	1160	11500
QR1574.I50-500-S	,4970	,4985	1/2	5,00	304 SS	0,594	0,72	1,30	1,12	0,460	1,41	0,85	,5000/,5050	1160	11500
QR1574.I50-550-S	,4970	,4985	1/2	5,50	304 SS	0,594	0,72	1,30	1,12	0,460	1,41	0,85	,5000/,5050	1160	11500
QR1574.I50-600-S	,4970	,4985	1/2	6,00	304 SS	0,594	0,72	1,30	1,12	0,460	1,41	0,85	,5000/,5050	1160	11500