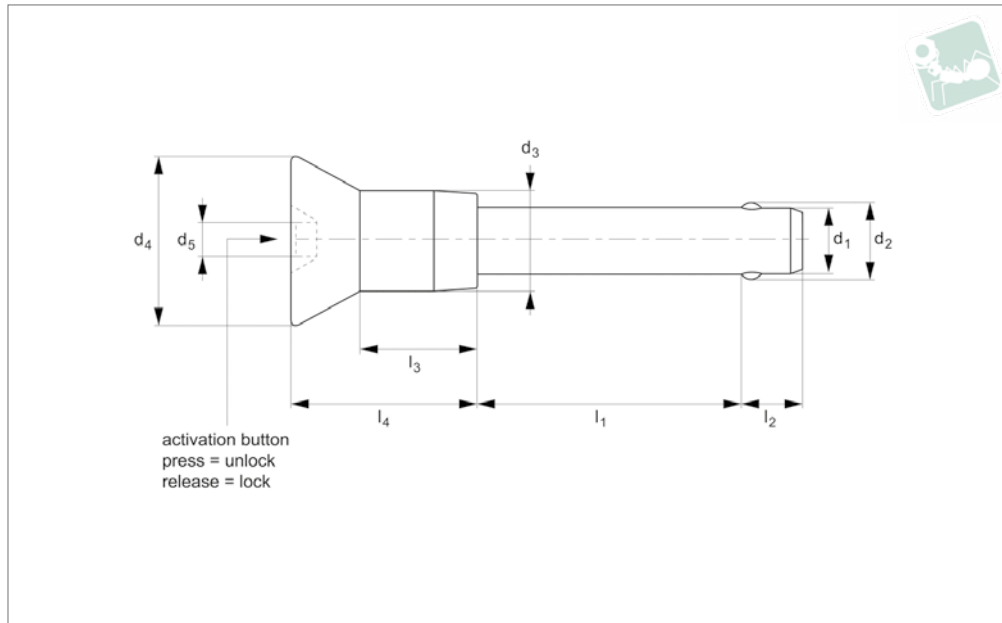




Quick Release Pins - Inch - Cup handle

precipitation hardened stainless pin - stainless

Quick Release Pins



QR1476

QUICK RELEASE PINS

Material

Pin: stainless steel 17-4PH (DIN 1.4542, AISI 630), precipitation hardened, passivated. Tensile strength 1,300 N/mm² min. HRC 40. RoHS compliant.
Handle: stainless steel, AISI 303 (DIN 1.4305), passivated.
Actuator button: stainless steel, AISI 303 (DIN 1.4305), passivated.

Internal spindle, balls and split ring (supplied); from stainless steel.

Technical Notes

Pressing = unlocking.
Releasing = locking.
Temperature range -30°C to +150°C
Supplied with split ring.

Tips

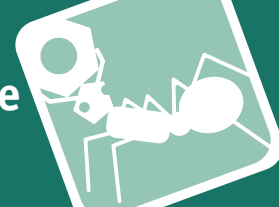
For quick fastening and locking frequently repeated connections.
For lanyards & retaining cables see part nos. L to LA1224. For easy install locating bushes and end caps see part nos. LA1260 to LA1355.

| Order No. | d ₁ nom. | d ₁ min. | d ₁ max. | l ₁ grip +0.02 - 0.00 | Material | d ₂ ±0.005 | d ₃ | d ₄ | d ₅ | l ₂ +0.000 - 0.030 | l ₃ | l ₄ | Loc'n hole min. max. | Pull out strength lb min. | Calc. double shear lb |
|------------------|------------------------|------------------------|------------------------|--|----------|--------------------------|----------------|----------------|----------------|-------------------------------------|----------------|----------------|-------------------------|------------------------------------|--------------------------------|
| QR1476.I18-050-T | 3/16 | ,1870 | ,1885 | 0,50 | 17-4 PH | 0,220 | 0,47 | 0,81 | 0,23 | 0,260 | 0,64 | 0,97 | ,1900/,1940 | 200 | 5150 |
| QR1476.I18-075-T | 3/16 | ,1870 | ,1885 | 0,75 | 17-4 PH | 0,220 | 0,47 | 0,81 | 0,23 | 0,260 | 0,64 | 0,97 | ,1900/,1940 | 200 | 5150 |
| QR1476.I18-100-T | 3/16 | ,1870 | ,1885 | 1,00 | 17-4 PH | 0,220 | 0,47 | 0,81 | 0,23 | 0,260 | 0,64 | 0,97 | ,1900/,1940 | 200 | 5150 |
| QR1476.I18-125-T | 3/16 | ,1870 | ,1885 | 1,25 | 17-4 PH | 0,220 | 0,47 | 0,81 | 0,23 | 0,260 | 0,64 | 0,97 | ,1900/,1940 | 200 | 5150 |
| QR1476.I18-150-T | 3/16 | ,1870 | ,1885 | 1,50 | 17-4 PH | 0,220 | 0,47 | 0,81 | 0,23 | 0,260 | 0,64 | 0,97 | ,1900/,1940 | 200 | 5150 |
| QR1476.I18-175-T | 3/16 | ,1870 | ,1885 | 1,75 | 17-4 PH | 0,220 | 0,47 | 0,81 | 0,23 | 0,260 | 0,64 | 0,97 | ,1900/,1940 | 200 | 5150 |
| QR1476.I18-200-T | 3/16 | ,1870 | ,1885 | 2,00 | 17-4 PH | 0,220 | 0,47 | 0,81 | 0,23 | 0,260 | 0,64 | 0,97 | ,1900/,1940 | 200 | 5150 |
| QR1476.I18-250-T | 3/16 | ,1870 | ,1885 | 2,50 | 17-4 PH | 0,220 | 0,47 | 0,81 | 0,23 | 0,260 | 0,64 | 0,97 | ,1900/,1940 | 200 | 5150 |
| QR1476.I18-300-T | 3/16 | ,1870 | ,1885 | 3,00 | 17-4 PH | 0,220 | 0,47 | 0,81 | 0,23 | 0,260 | 0,64 | 0,97 | ,1900/,1940 | 200 | 5150 |
| QR1476.I18-350-T | 3/16 | ,1870 | ,1885 | 3,50 | 17-4 PH | 0,220 | 0,47 | 0,81 | 0,23 | 0,260 | 0,64 | 0,97 | ,1900/,1940 | 200 | 5150 |
| QR1476.I18-400-T | 3/16 | ,1870 | ,1885 | 4,00 | 17-4 PH | 0,220 | 0,47 | 0,81 | 0,23 | 0,260 | 0,64 | 0,97 | ,1900/,1940 | 200 | 5150 |
| QR1476.I25-050-T | 1/4 | ,2470 | ,2485 | 0,50 | 17-4 PH | 0,289 | 0,47 | 0,81 | 0,23 | 0,290 | 0,64 | 0,97 | ,2500/,2540 | 230 | 9200 |
| QR1476.I25-075-T | 1/4 | ,2470 | ,2485 | 0,75 | 17-4 PH | 0,289 | 0,47 | 0,81 | 0,23 | 0,290 | 0,64 | 0,97 | ,2500/,2540 | 230 | 9200 |
| QR1476.I25-100-T | 1/4 | ,2470 | ,2485 | 1,00 | 17-4 PH | 0,289 | 0,47 | 0,81 | 0,23 | 0,290 | 0,64 | 0,97 | ,2500/,2540 | 230 | 9200 |
| QR1476.I25-125-T | 1/4 | ,2470 | ,2485 | 1,25 | 17-4 PH | 0,289 | 0,47 | 0,81 | 0,23 | 0,290 | 0,64 | 0,97 | ,2500/,2540 | 230 | 9200 |
| QR1476.I25-150-T | 1/4 | ,2470 | ,2485 | 1,50 | 17-4 PH | 0,289 | 0,47 | 0,81 | 0,23 | 0,290 | 0,64 | 0,97 | ,2500/,2540 | 230 | 9200 |
| QR1476.I25-175-T | 1/4 | ,2470 | ,2485 | 1,75 | 17-4 PH | 0,289 | 0,47 | 0,81 | 0,23 | 0,290 | 0,64 | 0,97 | ,2500/,2540 | 230 | 9200 |
| QR1476.I25-200-T | 1/4 | ,2470 | ,2485 | 2,00 | 17-4 PH | 0,289 | 0,47 | 0,81 | 0,23 | 0,290 | 0,64 | 0,97 | ,2500/,2540 | 230 | 9200 |
| QR1476.I25-250-T | 1/4 | ,2470 | ,2485 | 2,50 | 17-4 PH | 0,289 | 0,47 | 0,81 | 0,23 | 0,290 | 0,64 | 0,97 | ,2500/,2540 | 230 | 9200 |
| QR1476.I25-300-T | 1/4 | ,2470 | ,2485 | 3,00 | 17-4 PH | 0,289 | 0,47 | 0,81 | 0,23 | 0,290 | 0,64 | 0,97 | ,2500/,2540 | 230 | 9200 |
| QR1476.I25-350-T | 1/4 | ,2470 | ,2485 | 3,50 | 17-4 PH | 0,289 | 0,47 | 0,81 | 0,23 | 0,290 | 0,64 | 0,97 | ,2500/,2540 | 230 | 9200 |
| QR1476.I25-400-T | 1/4 | ,2470 | ,2485 | 4,00 | 17-4 PH | 0,289 | 0,47 | 0,81 | 0,23 | 0,290 | 0,64 | 0,97 | ,2500/,2540 | 230 | 9200 |
| QR1476.I31-050-T | 5/16 | ,3095 | ,3110 | 0,50 | 17-4 PH | 0,375 | 0,47 | 0,81 | 0,23 | 0,330 | 0,64 | 0,97 | ,3125/,3165 | 510 | 14400 |
| QR1476.I31-075-T | 5/16 | ,3095 | ,3110 | 0,75 | 17-4 PH | 0,375 | 0,47 | 0,81 | 0,23 | 0,330 | 0,64 | 0,97 | ,3125/,3165 | 510 | 14400 |
| QR1476.I31-100-T | 5/16 | ,3095 | ,3110 | 1,00 | 17-4 PH | 0,375 | 0,47 | 0,81 | 0,23 | 0,330 | 0,64 | 0,97 | ,3125/,3165 | 510 | 14400 |
| QR1476.I31-125-T | 5/16 | ,3095 | ,3110 | 1,25 | 17-4 PH | 0,375 | 0,47 | 0,81 | 0,23 | 0,330 | 0,64 | 0,97 | ,3125/,3165 | 510 | 14400 |

Quick Release Pins

Quick Release Pins - Inch - Cup handle

precipitation hardened stainless pin - stainless



QUICK RELEASE PINS

| Order No. | d ₁ nom. | d ₁ min. | d ₁ max. | l ₁ grip +0.02 - 0.00 | Material | d ₂ ±0.005 | d ₃ | d ₄ | d ₅ | l ₂ +0.000 - 0.030 | l ₃ | l ₄ | Loc'n hole min. max. | Pull out strength lb min. | Calc. double shear lb |
|------------------|------------------------|------------------------|------------------------|--|----------|--------------------------|----------------|----------------|----------------|-------------------------------------|----------------|----------------|---------------------------|------------------------------------|--------------------------------|
| QR1476.I31-150-T | 5/16 | ,3095 | ,3110 | 1,50 | 17-4 PH | 0,375 | 0,47 | 0,81 | 0,23 | 0,330 | 0,64 | 0,97 | ,3125/,3165 | 510 | 14400 |
| QR1476.I31-175-T | 5/16 | ,3095 | ,3110 | 1,75 | 17-4 PH | 0,375 | 0,47 | 0,81 | 0,23 | 0,330 | 0,64 | 0,97 | ,3125/,3165 | 510 | 14400 |
| QR1476.I31-200-T | 5/16 | ,3095 | ,3110 | 2,00 | 17-4 PH | 0,375 | 0,47 | 0,81 | 0,23 | 0,330 | 0,64 | 0,97 | ,3125/,3165 | 510 | 14400 |
| QR1476.I31-250-T | 5/16 | ,3095 | ,3110 | 2,50 | 17-4 PH | 0,375 | 0,47 | 0,81 | 0,23 | 0,330 | 0,64 | 0,97 | ,3125/,3165 | 510 | 14400 |
| QR1476.I31-300-T | 5/16 | ,3095 | ,3110 | 3,00 | 17-4 PH | 0,375 | 0,47 | 0,81 | 0,23 | 0,330 | 0,64 | 0,97 | ,3125/,3165 | 510 | 14400 |
| QR1476.I31-350-T | 5/16 | ,3095 | ,3110 | 3,50 | 17-4 PH | 0,375 | 0,47 | 0,81 | 0,23 | 0,330 | 0,64 | 0,97 | ,3125/,3165 | 510 | 14400 |
| QR1476.I31-400-T | 5/16 | ,3095 | ,3110 | 4,00 | 17-4 PH | 0,375 | 0,47 | 0,81 | 0,23 | 0,330 | 0,64 | 0,97 | ,3125/,3165 | 510 | 14400 |
| QR1476.I37-050-T | 3/8 | ,3720 | ,3735 | 0,50 | 17-4 PH | 0,440 | 0,56 | 0,94 | 0,29 | 0,365 | 0,66 | 1,06 | ,3750/,3790 | 575 | 20600 |
| QR1476.I37-075-T | 3/8 | ,3720 | ,3735 | 0,75 | 17-4 PH | 0,440 | 0,56 | 0,94 | 0,29 | 0,365 | 0,66 | 1,06 | ,3750/,3790 | 575 | 20600 |
| QR1476.I37-100-T | 3/8 | ,3720 | ,3735 | 1,00 | 17-4 PH | 0,440 | 0,56 | 0,94 | 0,29 | 0,365 | 0,66 | 1,06 | ,3750/,3790 | 575 | 20600 |
| QR1476.I37-125-T | 3/8 | ,3720 | ,3735 | 1,25 | 17-4 PH | 0,440 | 0,56 | 0,94 | 0,29 | 0,365 | 0,66 | 1,06 | ,3750/,3790 | 575 | 20600 |
| QR1476.I37-150-T | 3/8 | ,3720 | ,3735 | 1,50 | 17-4 PH | 0,440 | 0,56 | 0,94 | 0,29 | 0,365 | 0,66 | 1,06 | ,3750/,3790 | 575 | 20600 |
| QR1476.I37-175-T | 3/8 | ,3720 | ,3735 | 1,75 | 17-4 PH | 0,440 | 0,56 | 0,94 | 0,29 | 0,365 | 0,66 | 1,06 | ,3750/,3790 | 575 | 20600 |
| QR1476.I37-200-T | 3/8 | ,3720 | ,3735 | 2,00 | 17-4 PH | 0,440 | 0,56 | 0,94 | 0,29 | 0,365 | 0,66 | 1,06 | ,3750/,3790 | 575 | 20600 |
| QR1476.I37-250-T | 3/8 | ,3720 | ,3735 | 2,50 | 17-4 PH | 0,440 | 0,56 | 0,94 | 0,29 | 0,365 | 0,66 | 1,06 | ,3750/,3790 | 575 | 20600 |
| QR1476.I37-300-T | 3/8 | ,3720 | ,3735 | 3,00 | 17-4 PH | 0,440 | 0,56 | 0,94 | 0,29 | 0,365 | 0,66 | 1,06 | ,3750/,3790 | 575 | 20600 |
| QR1476.I37-350-T | 3/8 | ,3720 | ,3735 | 3,50 | 17-4 PH | 0,440 | 0,56 | 0,94 | 0,29 | 0,365 | 0,66 | 1,06 | ,3750/,3790 | 575 | 20600 |
| QR1476.I37-400-T | 3/8 | ,3720 | ,3735 | 4,00 | 17-4 PH | 0,440 | 0,56 | 0,94 | 0,29 | 0,365 | 0,66 | 1,06 | ,3750/,3790 | 575 | 20600 |
| QR1476.I50-100-T | 1/2 | ,4970 | ,4985 | 1,00 | 17-4 PH | 0,594 | 0,72 | 1,12 | 0,42 | 0,460 | 0,89 | 1,31 | ,5000/,5050 | 1160 | 36800 |
| QR1476.I50-125-T | 1/2 | ,4970 | ,4985 | 1,25 | 17-4 PH | 0,594 | 0,72 | 1,12 | 0,42 | 0,460 | 0,89 | 1,31 | ,5000/,5050 | 1160 | 36800 |
| QR1476.I50-150-T | 1/2 | ,4970 | ,4985 | 1,50 | 17-4 PH | 0,594 | 0,72 | 1,12 | 0,42 | 0,460 | 0,89 | 1,31 | ,5000/,5050 | 1160 | 36800 |
| QR1476.I50-175-T | 1/2 | ,4970 | ,4985 | 1,75 | 17-4 PH | 0,594 | 0,72 | 1,12 | 0,42 | 0,460 | 0,89 | 1,31 | ,5000/,5050 | 1160 | 36800 |
| QR1476.I50-200-T | 1/2 | ,4970 | ,4985 | 2,00 | 17-4 PH | 0,594 | 0,72 | 1,12 | 0,42 | 0,460 | 0,89 | 1,31 | ,5000/,5050 | 1160 | 36800 |
| QR1476.I50-250-T | 1/2 | ,4970 | ,4985 | 2,50 | 17-4 PH | 0,594 | 0,72 | 1,12 | 0,42 | 0,460 | 0,89 | 1,31 | ,5000/,5050 | 1160 | 36800 |
| QR1476.I50-300-T | 1/2 | ,4970 | ,4985 | 3,00 | 17-4 PH | 0,594 | 0,72 | 1,12 | 0,42 | 0,460 | 0,89 | 1,31 | ,5000/,5050 | 1160 | 36800 |
| QR1476.I50-350-T | 1/2 | ,4970 | ,4985 | 3,50 | 17-4 PH | 0,594 | 0,72 | 1,12 | 0,42 | 0,460 | 0,89 | 1,31 | ,5000/,5050 | 1160 | 36800 |
| QR1476.I50-400-T | 1/2 | ,4970 | ,4985 | 4,00 | 17-4 PH | 0,594 | 0,72 | 1,12 | 0,42 | 0,460 | 0,89 | 1,31 | ,5000/,5050 | 1160 | 36800 |
| QR1476.I50-450-T | 1/2 | ,4970 | ,4985 | 4,50 | 17-4 PH | 0,594 | 0,72 | 1,12 | 0,42 | 0,460 | 0,89 | 1,31 | ,5000/,5050 | 1160 | 36800 |
| QR1476.I50-500-T | 1/2 | ,4970 | ,4985 | 5,00 | 17-4 PH | 0,594 | 0,72 | 1,12 | 0,42 | 0,460 | 0,89 | 1,31 | ,5000/,5050 | 1160 | 36800 |
| QR1476.I50-550-T | 1/2 | ,4970 | ,4985 | 5,50 | 17-4 PH | 0,594 | 0,72 | 1,12 | 0,42 | 0,460 | 0,89 | 1,31 | ,5000/,5050 | 1160 | 36800 |
| QR1476.I50-600-T | 1/2 | ,4970 | ,4985 | 6,00 | 17-4 PH | 0,594 | 0,72 | 1,12 | 0,42 | 0,460 | 0,89 | 1,31 | ,5000/,5050 | 1160 | 36800 |
| QR1476.I62-150-T | 5/8 | ,6220 | ,6235 | 1,50 | 17-4 PH | 0,750 | 0,94 | 1,44 | 0,54 | 0,580 | 1,12 | 1,69 | ,6250/,6300 | 2070 | 57500 |
| QR1476.I62-175-T | 5/8 | ,6220 | ,6235 | 1,75 | 17-4 PH | 0,750 | 0,94 | 1,44 | 0,54 | 0,580 | 1,12 | 1,69 | ,6250/,6300 | 2070 | 57500 |
| QR1476.I62-200-T | 5/8 | ,6220 | ,6235 | 2,00 | 17-4 PH | 0,750 | 0,94 | 1,44 | 0,54 | 0,580 | 1,12 | 1,69 | ,6250/,6300 | 2070 | 57500 |
| QR1476.I62-250-T | 5/8 | ,6220 | ,6235 | 2,50 | 17-4 PH | 0,750 | 0,94 | 1,44 | 0,54 | 0,580 | 1,12 | 1,69 | ,6250/,6300 | 2070 | 57500 |
| QR1476.I62-300-T | 5/8 | ,6220 | ,6235 | 3,00 | 17-4 PH | 0,750 | 0,94 | 1,44 | 0,54 | 0,580 | 1,12 | 1,69 | ,6250/,6300 | 2070 | 57500 |
| QR1476.I62-350-T | 5/8 | ,6220 | ,6235 | 3,50 | 17-4 PH | 0,750 | 0,94 | 1,44 | 0,54 | 0,580 | 1,12 | 1,69 | ,6250/,6300 | 2070 | 57500 |
| QR1476.I62-400-T | 5/8 | ,6220 | ,6235 | 4,00 | 17-4 PH | 0,750 | 0,94 | 1,44 | 0,54 | 0,580 | 1,12 | 1,69 | ,6250/,6300 | 2070 | 57500 |
| QR1476.I62-450-T | 5/8 | ,6220 | ,6235 | 4,50 | 17-4 PH | 0,750 | 0,94 | 1,44 | 0,54 | 0,580 | 1,12 | 1,69 | ,6250/,6300 | 2070 | 57500 |
| QR1476.I62-500-T | 5/8 | ,6220 | ,6235 | 5,00 | 17-4 PH | 0,750 | 0,94 | 1,44 | 0,54 | 0,580 | 1,12 | 1,69 | ,6250/,6300 | 2070 | 57500 |
| QR1476.I62-550-T | 5/8 | ,6220 | ,6235 | 5,50 | 17-4 PH | 0,750 | 0,94 | 1,44 | 0,54 | 0,580 | 1,12 | 1,69 | ,6250/,6300 | 2070 | 57500 |
| QR1476.I62-600-T | 5/8 | ,6220 | ,6235 | 6,00 | 17-4 PH | 0,750 | 0,94 | 1,44 | 0,54 | 0,580 | 1,12 | 1,69 | ,6250/,6300 | 2070 | 57500 |