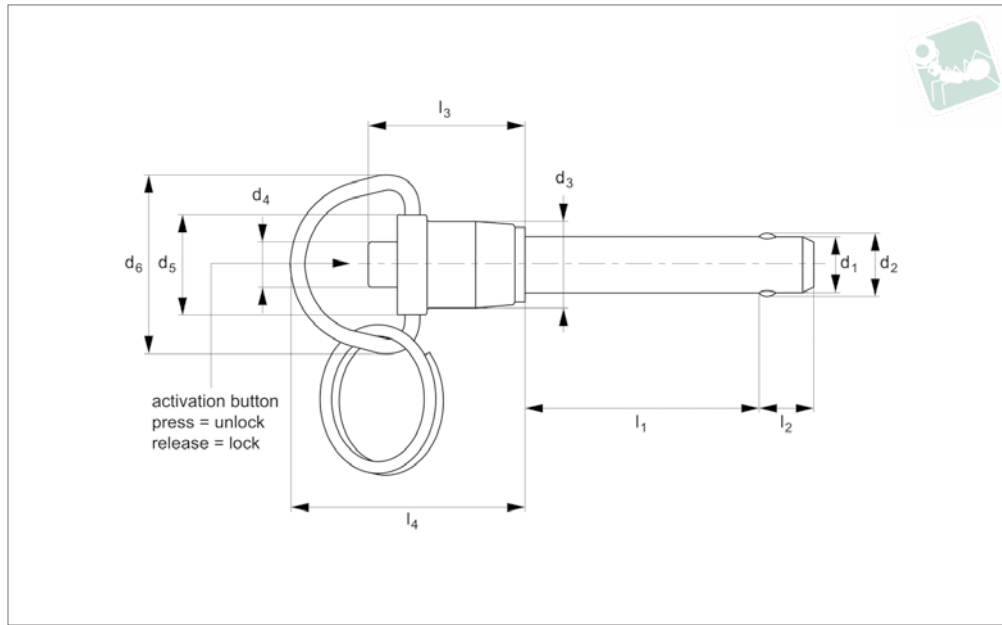




# Quick Release Pins - Inch - R-handle stainless pin

# Quick Release Pins



**QR1324**

QUICK RELEASE PINS

### Material

Pin: stainless steel, AISI 304 (DIN 1.4301) or AISI 303 (DIN 1.4305), passivated.

Tensile strength 500 N/mm<sup>2</sup> min. RoHS compliant.

Handle: Alu. 2024-T4 (DIN AlCuMg2), black anodised (RAL 9003).

Actuator button: Alu. 2024-T4 (DIN AlCuMg2), anodised blue or clear.

Internal spindle, balls and split ring (supplied); from stainless steel.

### Technical Notes

Pressing = unlocking.

Releasing = locking.

Temperature range -30°C to +150°C

**Supplied with split ring.**

### Tips

For quick fastening and locking frequently repeated connections.

For lanyards & retaining cables see part nos. L to LA1224. For easy install locating bushes and end caps see part nos. LA1260 to LA1355.

Order No.	Material	l <sub>1</sub> grip +0.02 - 0.00	d <sub>1</sub> min.	d <sub>1</sub> max.	d <sub>1</sub> nom.	d <sub>2</sub> ±0.005	d <sub>3</sub>	d <sub>4</sub>	d <sub>5</sub>	d <sub>6</sub>	l <sub>2</sub> +0.000  -0.030	l <sub>3</sub>	l <sub>4</sub>	Loc'n hole min. max.	Pull out strength lb min.	Calc. double shear lb
QR1324.I25-050-S	304 SS	0,50	,2470,2485	1/4	0,289	0,47	0,23	0,59	1,16	0,290	0,92	1,45	,2500/,2540	230	2200	
QR1324.I25-075-S	304 SS	0,75	,2470,2485	1/4	0,289	0,47	0,23	0,59	1,16	0,290	0,92	1,45	,2500/,2540	230	2200	
QR1324.I25-100-S	304 SS	1,00	,2470,2485	1/4	0,289	0,47	0,23	0,59	1,16	0,290	0,92	1,45	,2500/,2540	230	2200	
QR1324.I25-125-S	304 SS	1,25	,2470,2485	1/4	0,289	0,47	0,23	0,59	1,16	0,290	0,92	1,45	,2500/,2540	230	2200	
QR1324.I25-150-S	304 SS	1,50	,2470,2485	1/4	0,289	0,47	0,23	0,59	1,16	0,290	0,92	1,45	,2500/,2540	230	2200	
QR1324.I25-175-S	304 SS	1,75	,2470,2485	1/4	0,289	0,47	0,23	0,59	1,16	0,290	0,92	1,45	,2500/,2540	230	2200	
QR1324.I25-200-S	304 SS	2,00	,2470,2485	1/4	0,289	0,47	0,23	0,59	1,16	0,290	0,92	1,45	,2500/,2540	230	2200	
QR1324.I25-250-S	304 SS	2,50	,2470,2485	1/4	0,289	0,47	0,23	0,59	1,16	0,290	0,92	1,45	,2500/,2540	230	2200	
QR1324.I25-300-S	304 SS	3,00	,2470,2485	1/4	0,289	0,47	0,23	0,59	1,16	0,290	0,92	1,45	,2500/,2540	230	2200	
QR1324.I25-350-S	304 SS	3,50	,2470,2485	1/4	0,289	0,47	0,23	0,59	1,16	0,290	0,92	1,45	,2500/,2540	230	2200	
QR1324.I25-400-S	304 SS	4,00	,2470,2485	1/4	0,289	0,47	0,23	0,59	1,16	0,290	0,92	1,45	,2500/,2540	230	2200	
QR1324.I31-050-S	304 SS	0,50	,3095,3110	5/16	0,375	0,47	0,23	0,59	1,16	0,330	0,92	1,45	,3125/,3165	510	3500	
QR1324.I31-075-S	304 SS	0,75	,3095,3110	5/16	0,375	0,47	0,23	0,59	1,16	0,330	0,92	1,45	,3125/,3165	510	3500	
QR1324.I31-100-S	304 SS	1,00	,3095,3110	5/16	0,375	0,47	0,23	0,59	1,16	0,330	0,92	1,45	,3125/,3165	510	3500	
QR1324.I31-125-S	304 SS	1,25	,3095,3110	5/16	0,375	0,47	0,23	0,59	1,16	0,330	0,92	1,45	,3125/,3165	510	3500	
QR1324.I31-150-S	304 SS	1,50	,3095,3110	5/16	0,375	0,47	0,23	0,59	1,16	0,330	0,92	1,45	,3125/,3165	510	3500	
QR1324.I31-175-S	304 SS	1,75	,3095,3110	5/16	0,375	0,47	0,23	0,59	1,16	0,330	0,92	1,45	,3125/,3165	510	3500	
QR1324.I31-200-S	304 SS	2,00	,3095,3110	5/16	0,375	0,47	0,23	0,59	1,16	0,330	0,92	1,45	,3125/,3165	510	3500	
QR1324.I31-250-S	304 SS	2,50	,3095,3110	5/16	0,375	0,47	0,23	0,59	1,16	0,330	0,92	1,45	,3125/,3165	510	3500	
QR1324.I31-300-S	304 SS	3,00	,3095,3110	5/16	0,375	0,47	0,23	0,59	1,16	0,330	0,92	1,45	,3125/,3165	510	3500	
QR1324.I31-350-S	304 SS	3,50	,3095,3110	5/16	0,375	0,47	0,23	0,59	1,16	0,330	0,92	1,45	,3125/,3165	510	3500	
QR1324.I31-400-S	304 SS	4,00	,3095,3110	5/16	0,375	0,47	0,23	0,59	1,16	0,330	0,92	1,45	,3125/,3165	510	3500	
QR1324.I37-050-S	304 SS	0,50	,3720,3735	3/8	0,440	0,56	0,29	0,65	1,16	0,365	1,01	1,52	,3750/,3790	575	4500	
QR1324.I37-075-S	304 SS	0,75	,3720,3735	3/8	0,440	0,56	0,29	0,65	1,16	0,365	1,01	1,52	,3750/,3790	575	4500	
QR1324.I37-100-S	304 SS	1,00	,3720,3735	3/8	0,440	0,56	0,29	0,65	1,16	0,365	1,01	1,52	,3750/,3790	575	4500	
QR1324.I37-125-S	304 SS	1,25	,3720,3735	3/8	0,440	0,56	0,29	0,65	1,16	0,365	1,01	1,52	,3750/,3790	575	4500	

# Quick Release Pins

# Quick Release Pins - Inch - R-handle stainless pin



QUICK RELEASE PINS

Order No.	Material	$l_1$ grip +0.02 - 0.00	$d_1$ min.	$d_1$ max.	$d_1$ nom.	$d_2$ ±0.005	$d_3$	$d_4$	$d_5$	$d_6$	$l_2$ +0.000  -0.030	$l_3$	$l_4$	Loc'n hole min. max.	Pull out strength lb min.	Calc. double shear lb
QR1324.I37-150-S	304 SS	1,50	,3720	,3735	3/8	0,440	0,56	0,29	0,65	1,16	0,365	1,01	1,52	,3750/,3790	575	4500
QR1324.I37-175-S	304 SS	1,75	,3720	,3735	3/8	0,440	0,56	0,29	0,65	1,16	0,365	1,01	1,52	,3750/,3790	575	4500
QR1324.I37-200-S	304 SS	2,00	,3720	,3735	3/8	0,440	0,56	0,29	0,65	1,16	0,365	1,01	1,52	,3750/,3790	575	4500
QR1324.I37-250-S	304 SS	2,50	,3720	,3735	3/8	0,440	0,56	0,29	0,65	1,16	0,365	1,01	1,52	,3750/,3790	575	4500
QR1324.I37-300-S	304 SS	3,00	,3720	,3735	3/8	0,440	0,56	0,29	0,65	1,16	0,365	1,01	1,52	,3750/,3790	575	4500
QR1324.I37-350-S	304 SS	3,50	,3720	,3735	3/8	0,440	0,56	0,29	0,65	1,16	0,365	1,01	1,52	,3750/,3790	575	4500
QR1324.I37-400-S	304 SS	4,00	,3720	,3735	3/8	0,440	0,56	0,29	0,65	1,16	0,365	1,01	1,52	,3750/,3790	575	4500
QR1324.I50-100-S	304 SS	1,00	,4970	,4985	1/2	0,594	0,72	0,42	0,81	1,43	0,460	1,27	1,88	,5000/,5050	1160	11500
QR1324.I50-125-S	304 SS	1,25	,4970	,4985	1/2	0,594	0,72	0,42	0,81	1,43	0,460	1,27	1,88	,5000/,5050	1160	11500
QR1324.I50-150-S	304 SS	1,50	,4970	,4985	1/2	0,594	0,72	0,42	0,81	1,43	0,460	1,27	1,88	,5000/,5050	1160	11500
QR1324.I50-175-S	304 SS	1,75	,4970	,4985	1/2	0,594	0,72	0,42	0,81	1,43	0,460	1,27	1,88	,5000/,5050	1160	11500
QR1324.I50-200-S	304 SS	2,00	,4970	,4985	1/2	0,594	0,72	0,42	0,81	1,43	0,460	1,27	1,88	,5000/,5050	1160	11500
QR1324.I50-250-S	304 SS	2,50	,4970	,4985	1/2	0,594	0,72	0,42	0,81	1,43	0,460	1,27	1,88	,5000/,5050	1160	11500
QR1324.I50-300-S	304 SS	3,00	,4970	,4985	1/2	0,594	0,72	0,42	0,81	1,43	0,460	1,27	1,88	,5000/,5050	1160	11500
QR1324.I50-350-S	304 SS	3,50	,4970	,4985	1/2	0,594	0,72	0,42	0,81	1,43	0,460	1,27	1,88	,5000/,5050	1160	11500
QR1324.I50-400-S	304 SS	4,00	,4970	,4985	1/2	0,594	0,72	0,42	0,81	1,43	0,460	1,27	1,88	,5000/,5050	1160	11500
QR1324.I50-450-S	304 SS	4,50	,4970	,4985	1/2	0,594	0,72	0,42	0,81	1,43	0,460	1,27	1,88	,5000/,5050	1160	11500
QR1324.I50-500-S	304 SS	5,00	,4970	,4985	1/2	0,594	0,72	0,42	0,81	1,43	0,460	1,27	1,88	,5000/,5050	1160	11500
QR1324.I50-550-S	304 SS	5,50	,4970	,4985	1/2	0,594	0,72	0,42	0,81	1,43	0,460	1,27	1,88	,5000/,5050	1160	11500
QR1324.I50-600-S	304 SS	6,00	,4970	,4985	1/2	0,594	0,72	0,42	0,81	1,43	0,460	1,27	1,88	,5000/,5050	1160	11500