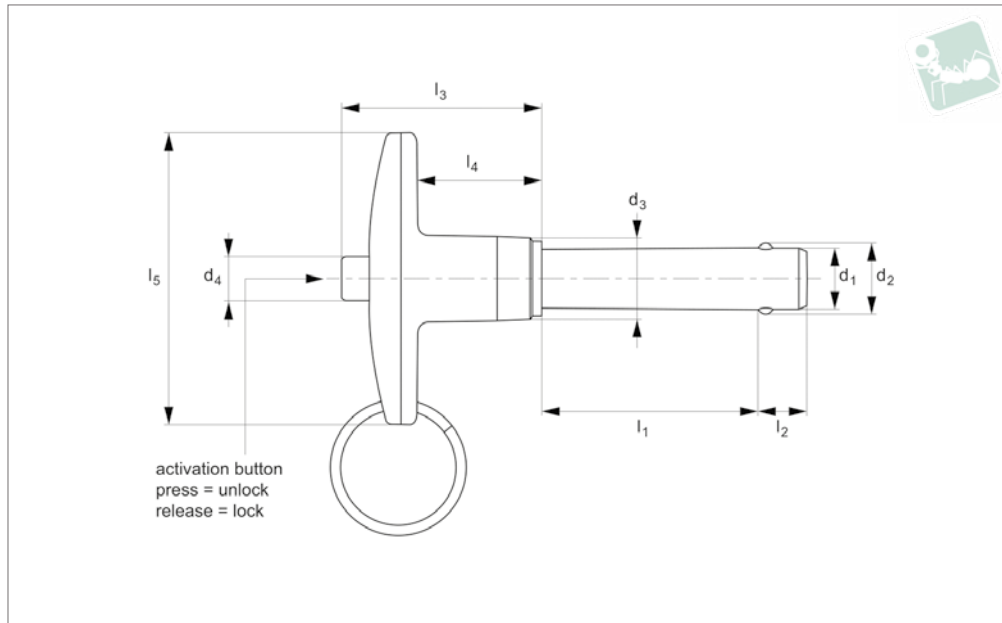




Quick Release Pins - Inch - T-handle precipitation hardened stainless pin

Quick Release Pins



QR1026

QUICK RELEASE PINS

Material

Pin: stainless steel 17-4PH (DIN 1.4542, AISI 630), precipitation hardened, passivated. Tensile strength 1,300 N/mm² min. HRC 40. RoHS compliant.
Handle: Alu. 380 die cast (DIN AlSi9Cu3), black anodised (RAL 9003).
Actuator button: Alu. 2024-T4 (DIN AlCuMg2), anodised blue or clear.

Internal spindle, balls and split ring (supplied); from stainless steel.

Technical Notes

Pressing = unlocking.
Releasing = locking.
Temperature range -30°C to +150°C
Supplied with split ring.

Tips

For quick fastening and locking frequently repeated connections.
For lanyards & retaining cables see part nos. L to LA1224. For easy install locating bushes and end caps see part nos. LA1260 to LA1355.

| Order No. | d ₁ nom. | l ₁ grip +0.02 - 0.00 | Material | d ₁ max. | d ₁ min. | d ₂ ±0.005 | d ₃ | d ₄ | l ₂ +0.000 -0.030 | l ₃ | l ₄ | l ₅ | Loc'n hole min. max. | Pull out strength lb min. | Calc. double shear lb |
|------------------|------------------------|--|----------|------------------------|------------------------|--------------------------|----------------|----------------|-------------------------------------|----------------|----------------|----------------|-------------------------|------------------------------------|--------------------------------|
| QR1026.I18-050-T | 3/16 | 0,50 | 17-4 PH | ,1885 | ,1870 | 0,220 | 0,47 | 0,23 | 0,260 | 1,21 | 0,76 | 1,81 | ,1900/,1940 | 200 | 5150 |
| QR1026.I18-075-T | 3/16 | 0,75 | 17-4 PH | ,1885 | ,1870 | 0,220 | 0,47 | 0,23 | 0,260 | 1,21 | 0,76 | 1,81 | ,1900/,1940 | 200 | 5150 |
| QR1026.I18-100-T | 3/16 | 1,00 | 17-4 PH | ,1885 | ,1870 | 0,220 | 0,47 | 0,23 | 0,260 | 1,21 | 0,76 | 1,81 | ,1900/,1940 | 200 | 5150 |
| QR1026.I18-125-T | 3/16 | 1,25 | 17-4 PH | ,1885 | ,1870 | 0,220 | 0,47 | 0,23 | 0,260 | 1,21 | 0,76 | 1,81 | ,1900/,1940 | 200 | 5150 |
| QR1026.I18-150-T | 3/16 | 1,50 | 17-4 PH | ,1885 | ,1870 | 0,220 | 0,47 | 0,23 | 0,260 | 1,21 | 0,76 | 1,81 | ,1900/,1940 | 200 | 5150 |
| QR1026.I18-175-T | 3/16 | 1,75 | 17-4 PH | ,1885 | ,1870 | 0,220 | 0,47 | 0,23 | 0,260 | 1,21 | 0,76 | 1,81 | ,1900/,1940 | 200 | 5150 |
| QR1026.I18-200-T | 3/16 | 2,00 | 17-4 PH | ,1885 | ,1870 | 0,220 | 0,47 | 0,23 | 0,260 | 1,21 | 0,76 | 1,81 | ,1900/,1940 | 200 | 5150 |
| QR1026.I18-250-T | 3/16 | 2,50 | 17-4 PH | ,1885 | ,1870 | 0,220 | 0,47 | 0,23 | 0,260 | 1,21 | 0,76 | 1,81 | ,1900/,1940 | 200 | 5150 |
| QR1026.I18-300-T | 3/16 | 3,00 | 17-4 PH | ,1885 | ,1870 | 0,220 | 0,47 | 0,23 | 0,260 | 1,21 | 0,76 | 1,81 | ,1900/,1940 | 200 | 5150 |
| QR1026.I18-350-T | 3/16 | 3,50 | 17-4 PH | ,1885 | ,1870 | 0,220 | 0,47 | 0,23 | 0,260 | 1,21 | 0,76 | 1,81 | ,1900/,1940 | 200 | 5150 |
| QR1026.I18-400-T | 3/16 | 4,00 | 17-4 PH | ,1885 | ,1870 | 0,220 | 0,47 | 0,23 | 0,260 | 1,21 | 0,76 | 1,81 | ,1900/,1940 | 200 | 5150 |
| QR1026.I25-050-T | 1/4 | 0,50 | 17-4 PH | ,2485 | ,2470 | 0,289 | 0,47 | 0,23 | 0,290 | 1,21 | 0,76 | 1,81 | ,2500/,2540 | 230 | 9200 |
| QR1026.I25-075-T | 1/4 | 0,75 | 17-4 PH | ,2485 | ,2470 | 0,289 | 0,47 | 0,23 | 0,290 | 1,21 | 0,76 | 1,81 | ,2500/,2540 | 230 | 9200 |
| QR1026.I25-100-T | 1/4 | 1,00 | 17-4 PH | ,2485 | ,2470 | 0,289 | 0,47 | 0,23 | 0,290 | 1,21 | 0,76 | 1,81 | ,2500/,2540 | 230 | 9200 |
| QR1026.I25-125-T | 1/4 | 1,25 | 17-4 PH | ,2485 | ,2470 | 0,289 | 0,47 | 0,23 | 0,290 | 1,21 | 0,76 | 1,81 | ,2500/,2540 | 230 | 9200 |
| QR1026.I25-150-T | 1/4 | 1,50 | 17-4 PH | ,2485 | ,2470 | 0,289 | 0,47 | 0,23 | 0,290 | 1,21 | 0,76 | 1,81 | ,2500/,2540 | 230 | 9200 |
| QR1026.I25-175-T | 1/4 | 1,75 | 17-4 PH | ,2485 | ,2470 | 0,289 | 0,47 | 0,23 | 0,290 | 1,21 | 0,76 | 1,81 | ,2500/,2540 | 230 | 9200 |
| QR1026.I25-200-T | 1/4 | 2,00 | 17-4 PH | ,2485 | ,2470 | 0,289 | 0,47 | 0,23 | 0,290 | 1,21 | 0,76 | 1,81 | ,2500/,2540 | 230 | 9200 |
| QR1026.I25-250-T | 1/4 | 2,50 | 17-4 PH | ,2485 | ,2470 | 0,289 | 0,47 | 0,23 | 0,290 | 1,21 | 0,76 | 1,81 | ,2500/,2540 | 230 | 9200 |
| QR1026.I25-300-T | 1/4 | 3,00 | 17-4 PH | ,2485 | ,2470 | 0,289 | 0,47 | 0,23 | 0,290 | 1,21 | 0,76 | 1,81 | ,2500/,2540 | 230 | 9200 |
| QR1026.I25-350-T | 1/4 | 3,50 | 17-4 PH | ,2485 | ,2470 | 0,289 | 0,47 | 0,23 | 0,290 | 1,21 | 0,76 | 1,81 | ,2500/,2540 | 230 | 9200 |
| QR1026.I25-400-T | 1/4 | 4,00 | 17-4 PH | ,2485 | ,2470 | 0,289 | 0,47 | 0,23 | 0,290 | 1,21 | 0,76 | 1,81 | ,2500/,2540 | 230 | 9200 |
| QR1026.I31-050-T | 5/16 | 0,50 | 17-4 PH | ,3110 | ,3095 | 0,375 | 0,47 | 0,23 | 0,330 | 1,21 | 0,76 | 1,81 | ,3125/,3165 | 510 | 14400 |
| QR1026.I31-075-T | 5/16 | 0,75 | 17-4 PH | ,3110 | ,3095 | 0,375 | 0,47 | 0,23 | 0,330 | 1,21 | 0,76 | 1,81 | ,3125/,3165 | 510 | 14400 |
| QR1026.I31-100-T | 5/16 | 1,00 | 17-4 PH | ,3110 | ,3095 | 0,375 | 0,47 | 0,23 | 0,330 | 1,21 | 0,76 | 1,81 | ,3125/,3165 | 510 | 14400 |
| QR1026.I31-125-T | 5/16 | 1,25 | 17-4 PH | ,3110 | ,3095 | 0,375 | 0,47 | 0,23 | 0,330 | 1,21 | 0,76 | 1,81 | ,3125/,3165 | 510 | 14400 |

Quick Release Pins

Quick Release Pins - Inch - T-handle precipitation hardened stainless pin



QUICK RELEASE PINS

| Order No. | d ₁ nom. | l ₁ grip +0.02 - 0.00 | Material | d ₁ max. | d ₁ min. | d ₂ ±0.005 | d ₃ | d ₄ | l ₂ +0.000 - -0.030 | l ₃ | l ₄ | l ₅ | Loc'n hole min. max. | Pull out strength lb min. | Calc. double shear lb |
|------------------|------------------------|--|----------|------------------------|------------------------|--------------------------|----------------|----------------|--------------------------------------|----------------|----------------|----------------|---------------------------|------------------------------------|--------------------------------|
| QR1026.I31-150-T | 5/16 | 1,50 | 17-4 PH | ,3110 | ,3095 | 0,375 | 0,47 | 0,23 | 0,330 | 1,21 | 0,76 | 1,81 | ,3125/,3165 | 510 | 14400 |
| QR1026.I31-175-T | 5/16 | 1,75 | 17-4 PH | ,3110 | ,3095 | 0,375 | 0,47 | 0,23 | 0,330 | 1,21 | 0,76 | 1,81 | ,3125/,3165 | 510 | 14400 |
| QR1026.I31-200-T | 5/16 | 2,00 | 17-4 PH | ,3110 | ,3095 | 0,375 | 0,47 | 0,23 | 0,330 | 1,21 | 0,76 | 1,81 | ,3125/,3165 | 510 | 14400 |
| QR1026.I31-250-T | 5/16 | 2,50 | 17-4 PH | ,3110 | ,3095 | 0,375 | 0,47 | 0,23 | 0,330 | 1,21 | 0,76 | 1,81 | ,3125/,3165 | 510 | 14400 |
| QR1026.I31-300-T | 5/16 | 3,00 | 17-4 PH | ,3110 | ,3095 | 0,375 | 0,47 | 0,23 | 0,330 | 1,21 | 0,76 | 1,81 | ,3125/,3165 | 510 | 14400 |
| QR1026.I31-350-T | 5/16 | 3,50 | 17-4 PH | ,3110 | ,3095 | 0,375 | 0,47 | 0,23 | 0,330 | 1,21 | 0,76 | 1,81 | ,3125/,3165 | 510 | 14400 |
| QR1026.I31-400-T | 5/16 | 4,00 | 17-4 PH | ,3110 | ,3095 | 0,375 | 0,47 | 0,23 | 0,330 | 1,21 | 0,76 | 1,81 | ,3125/,3165 | 510 | 14400 |
| QR1026.I37-050-T | 3/8 | 0,50 | 17-4 PH | ,3735 | ,3720 | 0,440 | 0,56 | 0,29 | 0,365 | 1,37 | 0,87 | 2,00 | ,3750/,3790 | 575 | 20600 |
| QR1026.I37-075-T | 3/8 | 0,75 | 17-4 PH | ,3735 | ,3720 | 0,440 | 0,56 | 0,29 | 0,365 | 1,37 | 0,87 | 2,00 | ,3750/,3790 | 575 | 20600 |
| QR1026.I37-100-T | 3/8 | 1,00 | 17-4 PH | ,3735 | ,3720 | 0,440 | 0,56 | 0,29 | 0,365 | 1,37 | 0,87 | 2,00 | ,3750/,3790 | 575 | 20600 |
| QR1026.I37-125-T | 3/8 | 1,25 | 17-4 PH | ,3735 | ,3720 | 0,440 | 0,56 | 0,29 | 0,365 | 1,37 | 0,87 | 2,00 | ,3750/,3790 | 575 | 20600 |
| QR1026.I37-150-T | 3/8 | 1,50 | 17-4 PH | ,3735 | ,3720 | 0,440 | 0,56 | 0,29 | 0,365 | 1,37 | 0,87 | 2,00 | ,3750/,3790 | 575 | 20600 |
| QR1026.I37-175-T | 3/8 | 1,75 | 17-4 PH | ,3735 | ,3720 | 0,440 | 0,56 | 0,29 | 0,365 | 1,37 | 0,87 | 2,00 | ,3750/,3790 | 575 | 20600 |
| QR1026.I37-200-T | 3/8 | 2,00 | 17-4 PH | ,3735 | ,3720 | 0,440 | 0,56 | 0,29 | 0,365 | 1,37 | 0,87 | 2,00 | ,3750/,3790 | 575 | 20600 |
| QR1026.I37-250-T | 3/8 | 2,50 | 17-4 PH | ,3735 | ,3720 | 0,440 | 0,56 | 0,29 | 0,365 | 1,37 | 0,87 | 2,00 | ,3750/,3790 | 575 | 20600 |
| QR1026.I37-300-T | 3/8 | 3,00 | 17-4 PH | ,3735 | ,3720 | 0,440 | 0,56 | 0,29 | 0,365 | 1,37 | 0,87 | 2,00 | ,3750/,3790 | 575 | 20600 |
| QR1026.I37-350-T | 3/8 | 3,50 | 17-4 PH | ,3735 | ,3720 | 0,440 | 0,56 | 0,29 | 0,365 | 1,37 | 0,87 | 2,00 | ,3750/,3790 | 575 | 20600 |
| QR1026.I37-400-T | 3/8 | 4,00 | 17-4 PH | ,3735 | ,3720 | 0,440 | 0,56 | 0,29 | 0,365 | 1,37 | 0,87 | 2,00 | ,3750/,3790 | 575 | 20600 |
| QR1026.I50-100-T | 1/2 | 1,00 | 17-4 PH | ,4985 | ,4970 | 0,594 | 0,72 | 0,42 | 0,460 | 1,60 | 1,00 | 2,25 | ,5000/,5050 | 1160 | 36800 |
| QR1026.I50-125-T | 1/2 | 1,25 | 17-4 PH | ,4985 | ,4970 | 0,594 | 0,72 | 0,42 | 0,460 | 1,60 | 1,00 | 2,25 | ,5000/,5050 | 1160 | 36800 |
| QR1026.I50-150-T | 1/2 | 1,50 | 17-4 PH | ,4985 | ,4970 | 0,594 | 0,72 | 0,42 | 0,460 | 1,60 | 1,00 | 2,25 | ,5000/,5050 | 1160 | 36800 |
| QR1026.I50-175-T | 1/2 | 1,75 | 17-4 PH | ,4985 | ,4970 | 0,594 | 0,72 | 0,42 | 0,460 | 1,60 | 1,00 | 2,25 | ,5000/,5050 | 1160 | 36800 |
| QR1026.I50-200-T | 1/2 | 2,00 | 17-4 PH | ,4985 | ,4970 | 0,594 | 0,72 | 0,42 | 0,460 | 1,60 | 1,00 | 2,25 | ,5000/,5050 | 1160 | 36800 |
| QR1026.I50-250-T | 1/2 | 2,50 | 17-4 PH | ,4985 | ,4970 | 0,594 | 0,72 | 0,42 | 0,460 | 1,60 | 1,00 | 2,25 | ,5000/,5050 | 1160 | 36800 |
| QR1026.I50-300-T | 1/2 | 3,00 | 17-4 PH | ,4985 | ,4970 | 0,594 | 0,72 | 0,42 | 0,460 | 1,60 | 1,00 | 2,25 | ,5000/,5050 | 1160 | 36800 |
| QR1026.I50-350-T | 1/2 | 3,50 | 17-4 PH | ,4985 | ,4970 | 0,594 | 0,72 | 0,42 | 0,460 | 1,60 | 1,00 | 2,25 | ,5000/,5050 | 1160 | 36800 |
| QR1026.I50-400-T | 1/2 | 4,00 | 17-4 PH | ,4985 | ,4970 | 0,594 | 0,72 | 0,42 | 0,460 | 1,60 | 1,00 | 2,25 | ,5000/,5050 | 1160 | 36800 |
| QR1026.I50-450-T | 1/2 | 4,50 | 17-4 PH | ,4985 | ,4970 | 0,594 | 0,72 | 0,42 | 0,460 | 1,60 | 1,00 | 2,25 | ,5000/,5050 | 1160 | 36800 |
| QR1026.I50-500-T | 1/2 | 5,00 | 17-4 PH | ,4985 | ,4970 | 0,594 | 0,72 | 0,42 | 0,460 | 1,60 | 1,00 | 2,25 | ,5000/,5050 | 1160 | 36800 |
| QR1026.I50-550-T | 1/2 | 5,50 | 17-4 PH | ,4985 | ,4970 | 0,594 | 0,72 | 0,42 | 0,460 | 1,60 | 1,00 | 2,25 | ,5000/,5050 | 1160 | 36800 |
| QR1026.I50-600-T | 1/2 | 6,00 | 17-4 PH | ,4985 | ,4970 | 0,594 | 0,72 | 0,42 | 0,460 | 1,60 | 1,00 | 2,25 | ,5000/,5050 | 1160 | 36800 |
| QR1026.I62-150-T | 5/8 | 1,50 | 17-4 PH | ,6235 | ,6220 | 0,750 | 0,94 | 0,54 | 0,580 | 1,77 | 1,11 | 3,07 | ,6250/,6300 | 2070 | 57500 |
| QR1026.I62-175-T | 5/8 | 1,75 | 17-4 PH | ,6235 | ,6220 | 0,750 | 0,94 | 0,54 | 0,580 | 1,77 | 1,11 | 3,07 | ,6250/,6300 | 2070 | 57500 |
| QR1026.I62-200-T | 5/8 | 2,00 | 17-4 PH | ,6235 | ,6220 | 0,750 | 0,94 | 0,54 | 0,580 | 1,77 | 1,11 | 3,07 | ,6250/,6300 | 2070 | 57500 |
| QR1026.I62-250-T | 5/8 | 2,50 | 17-4 PH | ,6235 | ,6220 | 0,750 | 0,94 | 0,54 | 0,580 | 1,77 | 1,11 | 3,07 | ,6250/,6300 | 2070 | 57500 |
| QR1026.I62-300-T | 5/8 | 3,00 | 17-4 PH | ,6235 | ,6220 | 0,750 | 0,94 | 0,54 | 0,580 | 1,77 | 1,11 | 3,07 | ,6250/,6300 | 2070 | 57500 |
| QR1026.I62-350-T | 5/8 | 3,50 | 17-4 PH | ,6235 | ,6220 | 0,750 | 0,94 | 0,54 | 0,580 | 1,77 | 1,11 | 3,07 | ,6250/,6300 | 2070 | 57500 |
| QR1026.I62-400-T | 5/8 | 4,00 | 17-4 PH | ,6235 | ,6220 | 0,750 | 0,94 | 0,54 | 0,580 | 1,77 | 1,11 | 3,07 | ,6250/,6300 | 2070 | 57500 |
| QR1026.I62-450-T | 5/8 | 4,50 | 17-4 PH | ,6235 | ,6220 | 0,750 | 0,94 | 0,54 | 0,580 | 1,77 | 1,11 | 3,07 | ,6250/,6300 | 2070 | 57500 |
| QR1026.I62-500-T | 5/8 | 5,00 | 17-4 PH | ,6235 | ,6220 | 0,750 | 0,94 | 0,54 | 0,580 | 1,77 | 1,11 | 3,07 | ,6250/,6300 | 2070 | 57500 |
| QR1026.I62-550-T | 5/8 | 5,50 | 17-4 PH | ,6235 | ,6220 | 0,750 | 0,94 | 0,54 | 0,580 | 1,77 | 1,11 | 3,07 | ,6250/,6300 | 2070 | 57500 |
| QR1026.I62-600-T | 5/8 | 6,00 | 17-4 PH | ,6235 | ,6220 | 0,750 | 0,94 | 0,54 | 0,580 | 1,77 | 1,11 | 3,07 | ,6250/,6300 | 2070 | 57500 |