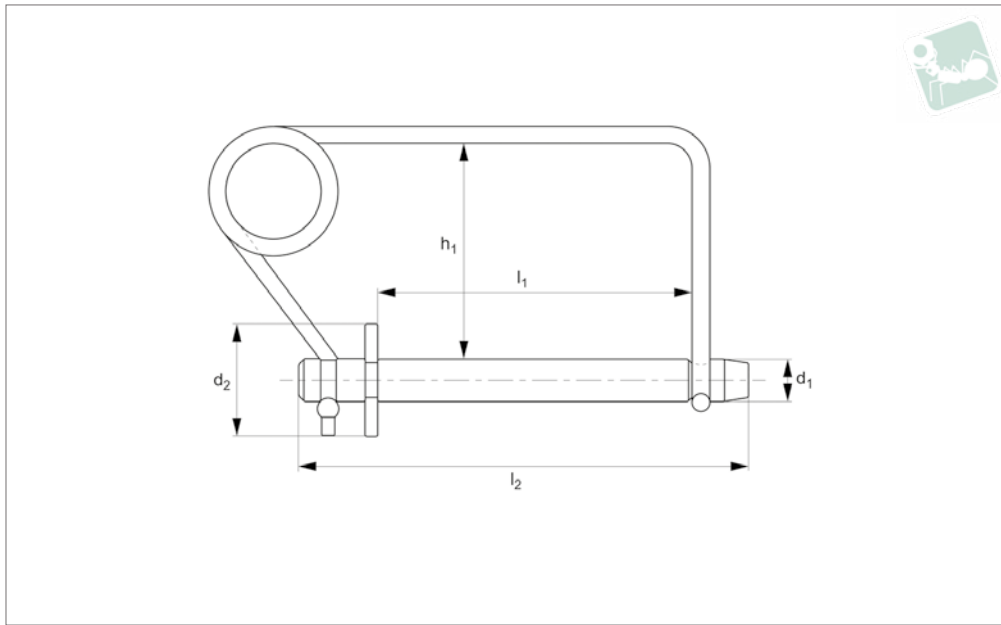




Lock Pin - Snap Lock - Square Wire with shoulder - steel

Pull Pins



PP1710

PULL PINS

Material

Pin: Carbon steel, C1008-C1010, zinc plated.

Single wire loop: hard drawn spring wire.

Technical Notes

Pin and cotter in one, preventing loss of

parts. Spring wire loop snaps into groove on pin end to provide secure location. Circlip/washer installed on pin creates shoulder, l1 is effective grip length of pin.

Tips

Use lanyard or retaining cable to

permanently attach wire lock pin to assembly, see part nos. L to LA1224.

Order No.	d ₁	l ₁	d ₂	h ₁	l ₂
PP1710.050-350-C	12,7 (1/2")	88,9 (3 1/2")	31.75	63.50	130.30
PP1710.062-400-C	16 (5/8")	101,6 (4")	38.10	85.85	146.05
PP1710.075-400-C	19,05 (3/4")	101,6 (4")	38.10	84.07	146.05
PP1710.075-600-C	19,05 (3/4")	152,4 (6")	38.10	84.07	196.85
PP1710.088-550-C	22,35 (7/8")	139,7 (5 1/2")	44.45	84.07	185.67
PP1710.100-550-C	25,4 (1")	139,7 (5 1/2")	44.45	82.55	185.67