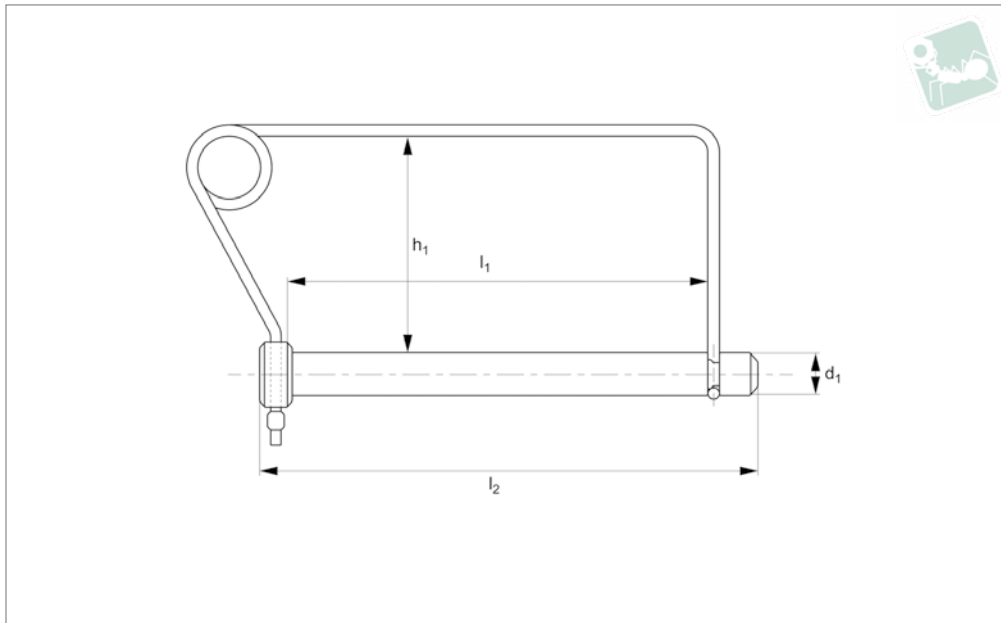




Lock Pin - Snap Lock - Square Wire with shoulder - steel

Pull Pins



PP1708

PULL PINS

Material

Pin: Carbon steel, C1008-C1010, zinc plated.
Single wire loop: hard drawn spring wire.

parts. Spring wire loop snaps into groove on pin end to provide secure location. Pin has a formed shoulder, l_1 is effective grip length of pin.

permanently attach wire lock pin to assembly, see part nos. L to LA1224.

Technical Notes

Pin and cotter in one, preventing loss of

Tips

Use lanyard or retaining cable to

Order No.	d	l_1	h	l_2
PP1708.025-300-C	6,35(1/4")	76,2(3")	38.10	93.73
PP1708.025-350-C	6,35(1/4")	88,9(3 1/2")	44.45	106.43
PP1708.025-400-C	6,35(1/4")	101,6(4")	50.80	119.13
PP1708.031-300-C	7,87(5/16")	76,2(3")	38.10	93.73
PP1708.031-350-C	7,87(5/16")	88,9(3 1/2")	44.45	81.03
PP1708.031-400-C	7,87(5/16")	101,6(4")	50.80	119.13
PP1708.037-300-C	9,65(3/8")	76,2(3")	38.10	93.73
PP1708.037-350-C	9,65(3/8")	88,9(3 1/2")	44.45	106.43
PP1708.037-400-C	9,65(3/8")	101,6(4")	50.80	119.13