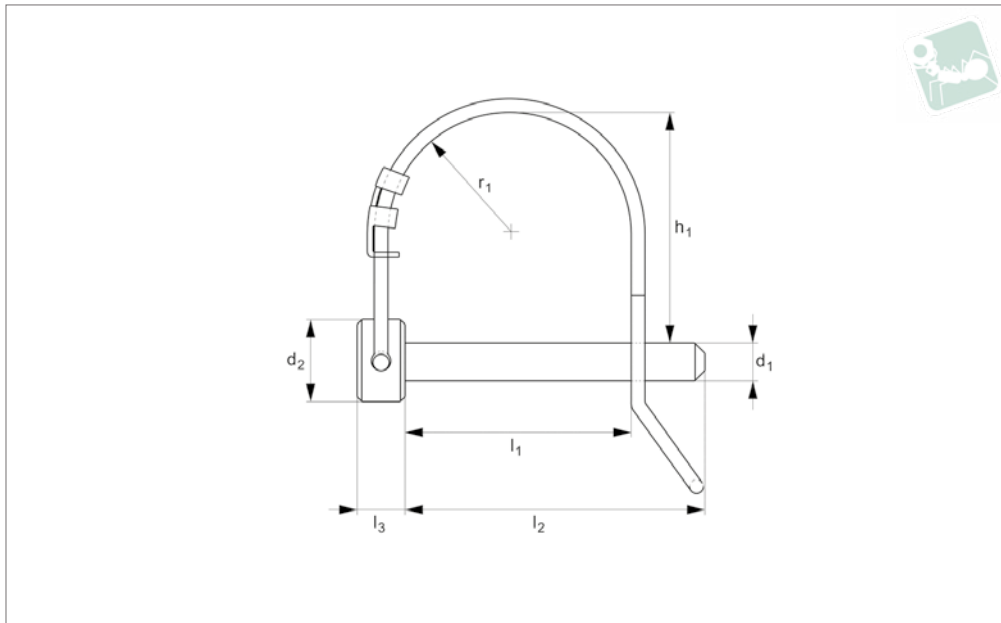




Lock Pin - Round Wire - Tab Pin

steel or stainless steel

Pull Pins



PP1704

PULL PINS

Material

Pin: Carbon steel, C1008-C1010, zinc plated. Or stainless steel AISI 304.
Wire loop: hard drawn spring wire.

Technical Notes

Pin and cotter in one, preventing loss of parts. Even easier to use than standard

wire lock pins, the formed "tab" enable easy locking an unlocking. Ideal economic solution for quick release applications.

Push down tab to engage with pin and "lock", pull up tab to release. Tab guides wire loop into locked position, acting as a

load ramp.

Tips

Use lanyard or retaining cable to permanently attach wire lock pin to assembly, see part nos. L to LA1224.

Order No.	Material	d ₁	l ₁	d ₂	h	l ₂	l ₃	R
PP1704.025-175-C	Zinc plated steel	6,35 (1/4")	44,45 (1 3/4")	14,22	39,62	58,67	7,87	20,57
PP1704.031-175-C	Zinc plated steel	7,87 (5/16")	44,45 (1 3/4")	16,00	38,10	58,67	7,87	20,57
PP1704.037-175-C	Zinc plated steel	9,65 (3/8")	44,45 (1 3/4")	16,00	36,58	58,67	7,87	20,57
PP1704.031-250-C	Zinc plated steel	7,87 (5/16")	63,5 (2 1/2")	16,00	44,45	69,85	7,87	20,57
PP1704.037-250-C	Zinc plated steel	9,65 (3/8")	63,5 (2 1/2")	16,00	44,45	69,85	7,87	20,57
PP1704.025-175-S	Stainless steel	6,35 (1/4")	44,45 (1 3/4")	14,22	39,62	58,67	7,87	20,57
PP1704.031-175-S	Stainless steel	7,87 (5/16")	44,45 (1 3/4")	16,00	38,10	58,67	7,87	20,57
PP1704.037-175-S	Stainless steel	9,65 (3/8")	44,45 (1 3/4")	16,00	36,58	58,67	7,87	20,57
PP1704.031-250-S	Stainless steel	7,87 (5/16")	63,5 (2 1/2")	16,00	44,45	69,85	7,87	20,57
PP1704.037-250-S	Stainless steel	9,65 (3/8")	63,5 (2 1/2")	16,00	44,45	69,85	7,87	20,57