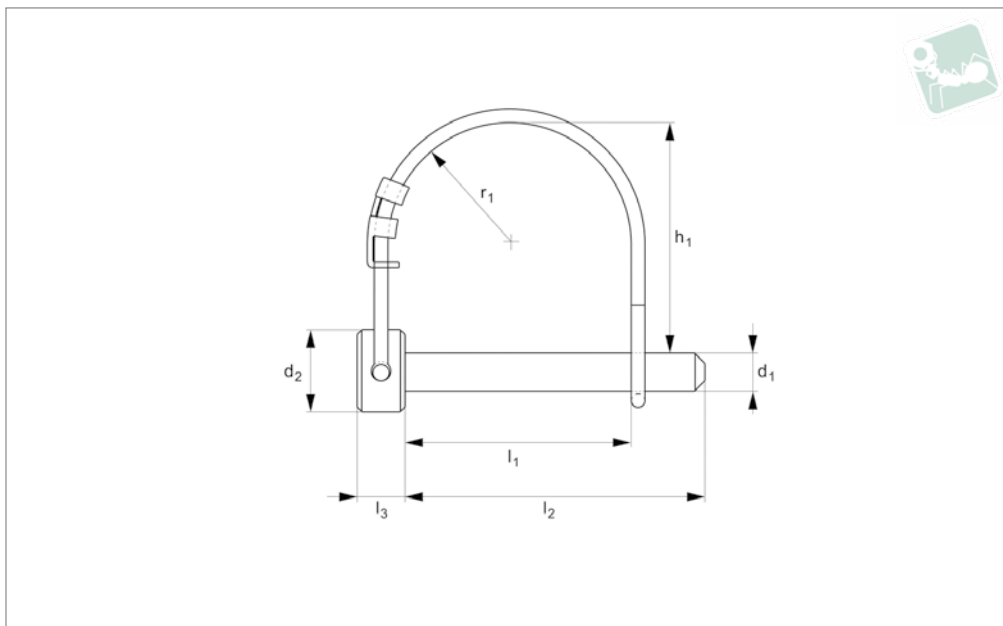




Lock Pin - Round Wire - Double steel or stainless steel

Pull Pins



PP1702

PULL PINS

Material

Pin: Carbon steel, C1008-C1010, zinc plated. Or stainless steel AISI 304.
Double wire loop: hard drawn spring wire.

parts. Pull wire over pin to lock in place, no need for separate clevis pin and cotter.
Ideal economic solution for quick release applications.

permanently attach wire lock pin to assembly, see part nos. L to LA1224.
Also known as PTO Pins, Snapper Pins, Hitch Pins and Quick Pins.

Technical Notes

Pin and cotter in one, preventing loss of

Tips

Use lanyard or retaining cable to

Order No.	Material	d ₁	l ₁	d ₂	h	l ₂	l ₃	R
PP1702.025-138-C	Zinc Plated steel	6,35 (1/4")	35,05 (1 3/8")	14,22	41,40	41,40	7,87	17,53
PP1702.025-175-C	Zinc Plated steel	6,35 (1/4")	44,45 (1 3/4")	14,22	39,62	50,80	7,87	20,57
PP1702.025-250-C	Zinc Plated steel	6,35 (1/4")	63,5 (2 1/2")	14,22	44,45	69,85	7,87	30,23
PP1702.031-138-C	Zinc Plated steel	7,87 (5/16")	35,05 (1 3/8")	16,00	39,62	41,40	7,87	17,53
PP1702.031-175-C	Zinc Plated steel	7,87 (5/16")	44,45 (1 3/4")	16,00	38,10	50,80	7,87	20,57
PP1702.031-280-C	Zinc Plated steel	7,87 (5/16")	71,12 (2 1/2")	16,00	42,93	69,85	7,87	30,23
PP1702.037-138-C	Zinc Plated steel	9,65 (3/8")	35,05 (1 3/8")	16,00	38,10	41,40	7,87	17,53
PP1702.037-175-C	Zinc Plated steel	9,65 (3/8")	44,45 (1 3/4")	16,00	36,58	50,80	7,87	20,57
PP1702.037-250-C	Zinc Plated steel	9,65 (3/8")	63,5 (2 1/2")	16,00	41,40	69,85	7,87	30,23
PP1702.025-138-S	Stainless steel	6,35 (1/4")	35,05 (1 3/8")	14,22	41,40	41,40	7,87	17,53
PP1702.025-175-S	Stainless steel	6,35 (1/4")	44,45 (1 3/4")	14,22	39,62	50,80	7,87	20,57
PP1702.031-138-S	Stainless steel	7,87 (5/16")	35,05 (1 3/8")	16,00	39,62	41,40	7,87	17,53
PP1702.031-175-S	Stainless steel	7,87 (5/16")	44,45 (1 3/4")	16,00	38,10	50,80	7,87	20,57
PP1702.037-138-S	Stainless steel	9,65 (3/8")	35,05 (1 3/8")	16,00	38,10	41,40	7,87	17,53
PP1702.037-175-S	Stainless steel	9,65 (3/8")	44,45 (1 3/4")	16,00	36,58	50,80	7,87	20,57