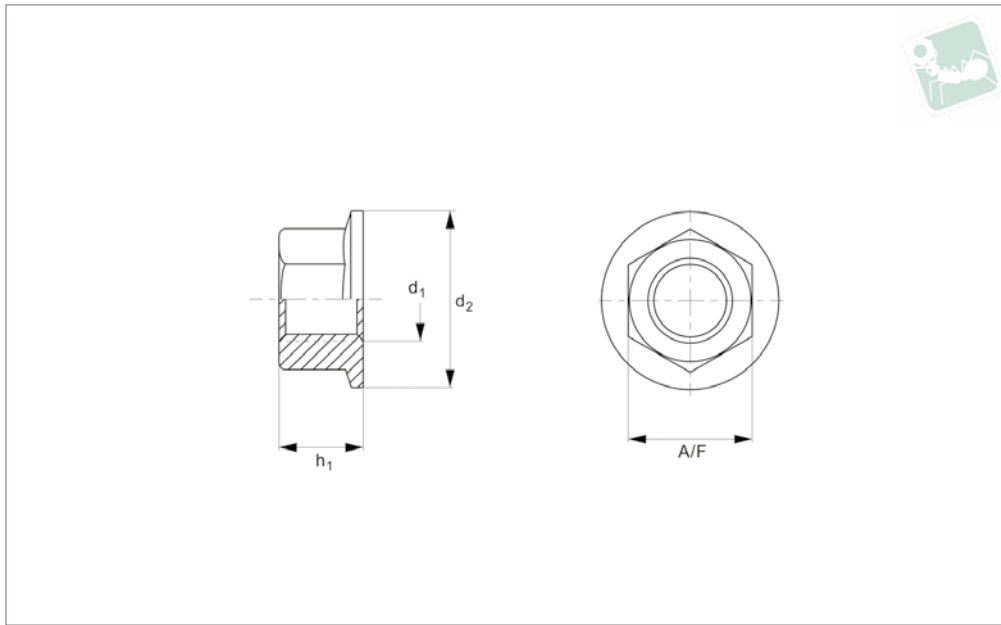




# Hex flat washers faced Nuts

black nylon 25% glass filled

Nylon



**N0507**

NYLON

### Material

Nylon 66 (PA 6/66), standard.

wear and weather conditions. Good mechanical, electrical and thermal properties.

### Technical Notes

Light and rustproof. Good resistance to

Order No.	Colour	d <sub>1</sub>	d <sub>2</sub>	h <sub>1</sub>	h <sub>2</sub>	A/F	Material	Grade
<b>N0507.12F.OB</b>	Black	M12 x 1,0	18.0	4.0	1.0	15.0	Nylon	Std
<b>N0507.14F.OB</b>	Black	M14 x 1,0	20.0	4.0	1.0	17.0	Nylon	Std
<b>N0507.15F.OB</b>	Black	M15 x 1,0	20.0	4.0	1.0	17.0	Nylon	Std
<b>N0507.18F.OB</b>	Black	M18 x 1,5	25.0	6.0	1.0	22.0	Nylon	Std
<b>N0507.27F.OB1</b>	Black	M27 x 1,0	34.5	5.6	1.3	30.0	Nylon	Std
<b>N0507.27F.OB2</b>	Black	M27 x 1,5	34.5	6.0	1.0	30.0	Nylon	Std