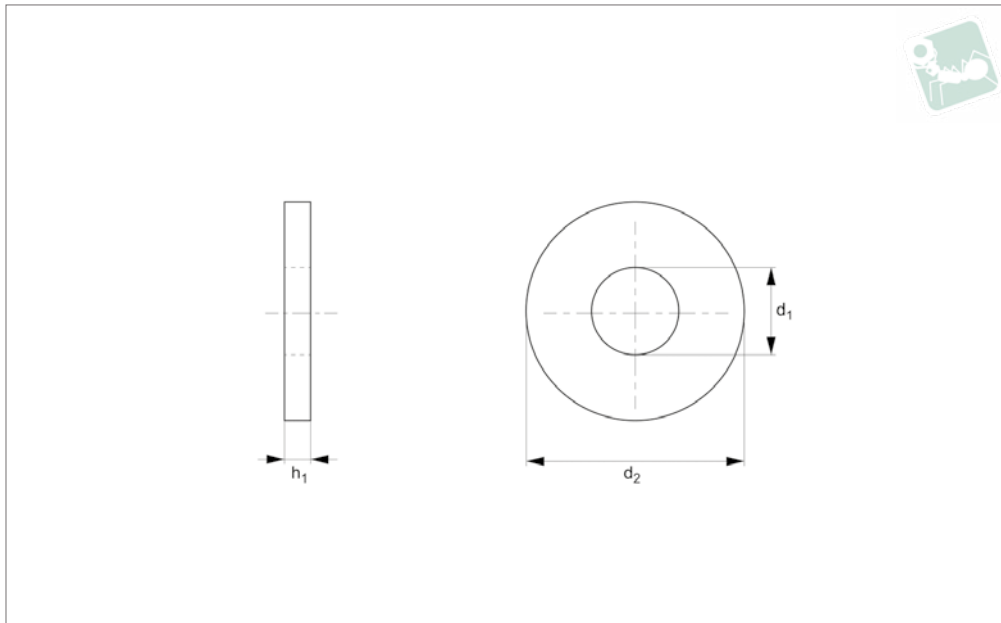




Flat Nylon Penny Washers

DIN 9021

Nylon



N0401.90N

NYLON

Material

Nylon PA-6/66, natural white or black.

Technical Notes

DIN norms generally to DIN 9021, were created for metal parts, the dimensions of our plastic DIN equivalents are close to the

norm but do not follow the strict tolerances typically relevant to metal parts. Many Nylon parts are available in dyed black, this subject to a minimum value and process charge, please contact us for further details.

Dyed black colour is not long term UV stable. Nylon parts offer good electrical insulation, is resistant to corrosion and most dilute acids.

Nylon protects work surfaces and absorbs shocks and vibrations.

Order No.	For thread	d ₁	d ₂	h	DIN	Material
90N.025.0080.N	M2,5	2.7	8.0	0.8	DIN 9021	Natural, white
90N.030.0090.N	M 3	3.2	9.0	0.8	DIN 9021	Natural, white
90N.035.0110.N	M 3,5	3.7	11.0	0.8	DIN 9021	Natural, white
90N.040.0120.N	M 4	4.3	12.0	1.0	DIN 9021	Natural, white
90N.050.0150.N	M 5	5.3	15.0	1.5	DIN 9021	Natural, white
90N.060.0180.N	M 6	6.4	18.0	1.6	DIN 9021	Natural, white
90N.070.0220.N	M 7	7.4	22.0	2.0	DIN 9021	Natural, white
90N.080.0240.N	M 8	8.4	24.0	2.0	DIN 9021	Natural, white
90N.080.0250.N	M 8	8.4	25.0	2.0	DIN 9021	Natural, white
90N.100.0300.N	M10	10.5	30.0	2.5	DIN 9021	Natural, white
90N.120.0370.N	M12	13.0	37.0	3.0	DIN 9021	Natural, white
90N.120.0400.N	M12	13.0	40.0	3.0	DIN 9021	Natural, white
90N.140.0440.N	M14	15.0	44.0	3.0	DIN 9021	Natural, white
90N.160.0500.N	M16	17.0	50.0	3.0	DIN 9021	Natural, white
90N.180.0560.N	M18	20.0	56.0	4.0	DIN 9021	Natural, white
90N.200.0600.N	M20	21.0	60.0	4.0	DIN 9021	Natural, white
90N.030.0090.B	M 3	3.2	9.0	0.8	DIN 9021	Black
90N.040.0120.B	M 4	4.3	12.0	1.0	DIN 9021	Black
90N.050.0150.B	M 5	5.3	15.0	1.5	DIN 9021	Black
90N.060.0180.B	M 6	6.4	18.0	1.6	DIN 9021	Black
90N.070.0220.B	M 7	7.4	22.0	2.0	DIN 9021	Black
90N.100.0300.B	M10	10.5	30.0	2.5	DIN 9021	Black
90N.120.0370.B	M12	13.0	37.0	3.0	DIN 9021	Black
90N.160.0500.B	M16	17.0	50.0	3.0	DIN 9021	Black
90N.180.0560.B	M18	19.0	56.0	4.0	DIN 9021	Black
90N.200.0600.B	M20	21.0	60.0	4.0	DIN 9021	Black