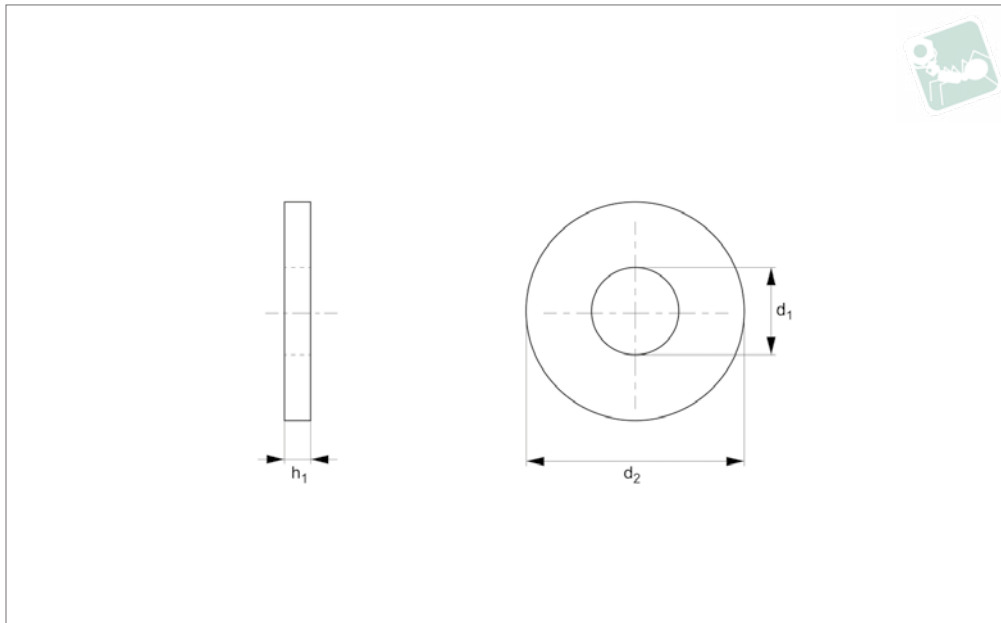




# Plain Washer - I/D Ø 15-80mm

Plain

Nylon



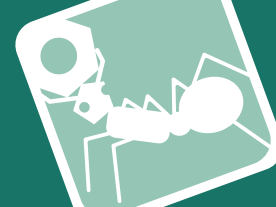
**N0400.04N.5**

NYLON

**Material**  
Nylon.

**Technical Notes**  
Nylon plain washer

Order No.	$d_1$	$d_2$	h	Material	Grade	Finish
04N.150.0190.A	15.09	19.05	5.33	PA-6/66	Std.	Natural
04N.150.0222.A	15.08	22.23	3.68	PA-6/66	Std.	Natural
04N.150.0279.A	15.04	27.99	2.50	PA-6/66	Std.	Natural
04N.153.0191.A1	15.37	19.13	1.40	PA-6/66	Std.	Natural
04N.153.0191.A2	15.37	19.13	1.70	PA-6/66	Std.	Natural
04N.153.0286.A	15.37	28.65	6.07	PA-6/66	Std.	Natural
04N.153.0379.A	15.34	37.92	5.59	PA-6/66	Std.	Natural
04N.157.0204.A	15.77	20.45	3.18	PA-6/66	Std.	Natural
04N.157.0214.A	15.77	21.46	2.57	PA-6/66	Std.	Natural
04N.158.0190.A	15.88	19.05	4.32	PA-6/66	Std.	Natural
04N.158.0206.A	15.88	20.62	1.57	PA-6/66	Std.	Natural
04N.158.0238.A	15.88	23.80	2.36	PA-6/66	Std.	Natural
04N.158.0254.A	15.88	25.40	0.81	PA-6/66	Std.	Natural
04N.158.0279.A	15.83	27.99	2.99	PA-6/66	Std.	Natural
04N.158.0333.A	15.88	33.32	1.27	PA-6/66	Std.	Natural
04N.158.0436.A	15.88	43.64	1.27	PA-6/66	Std.	Natural
04N.159.0222.A	15.93	22.23	2.90	PA-6/66	Std.	Natural
04N.159.0319.A	15.97	31.97	0.99	PA-6/66	Std.	Natural
04N.160.0198.A	16.08	19.86	3.18	PA-6/66	Std.	Natural
04N.160.0206.A1	16.00	20.62	2.56	PA-6/66	Std.	Natural
04N.160.0206.A2	16.00	20.62	5.59	PA-6/66	Std.	Natural
04N.160.0254.A1	16.03	25.40	1.65	PA-6/66	Std.	Natural
04N.160.0254.A2	16.03	25.40	3.25	PA-6/66	Std.	Natural
04N.160.0254.A3	16.05	25.40	4.70	PA-6/66	Std.	Natural
04N.160.0287.A	16.00	28.70	1.59	PA-6/66	Std.	Natural
04N.160.0508.A	16.00	50.80	3.18	PA-6/66	Std.	Natural
04N.160.0744.A	16.05	74.42	3.81	PA-6/66	Std.	Natural
04N.161.0252.A	16.13	25.27	6.35	PA-6/66	Std.	Natural
04N.161.0254.A	16.15	25.40	2.38	PA-6/66	Std.	Natural
04N.161.0284.A	16.13	28.45	3.56	PA-6/66	Std.	Natural
04N.161.0508.A	16.13	50.80	1.52	PA-6/66	Std.	Natural
04N.162.0198.A	16.26	19.84	0.79	PA-6/66	Std.	Natural
04N.162.0209.A	16.26	20.96	1.02	PA-6/66	Std.	Natural
04N.162.0254.A	16.26	25.40	3.25	PA-6/66	Std.	Natural
04N.162.0349.A	16.26	34.93	2.29	PA-6/66	Std.	Natural



Order No.	d <sub>1</sub>	d <sub>2</sub>	h	Material	Grade	Finish
04N.163.0260.A	16.31	26.01	1.52	PA-6/66	Std.	Natural
04N.163.0285.A	16.36	28.50	5.51	PA-6/66	Std.	Natural
04N.163.0311.A	16.33	31.12	2.54	PA-6/66	Std.	Natural
04N.163.0332.A	16.38	33.27	3.05	PA-6/66	Std.	Natural
04N.165.0302.A	16.51	30.23	2.29	PA-6/66	Std.	Natural
04N.166.0214.A	16.66	21.44	1.52	PA-6/66	Std.	Natural
04N.166.0333.A1	16.66	33.32	2.41	PA-6/66	Std.	Natural
04N.166.0333.A2	16.66	33.32	4.80	PA-6/66	Std.	Natural
04N.166.0349.A	16.66	34.93	3.18	PA-6/66	Std.	Natural
04N.166.0448.A	16.66	44.83	2.54	PA-6/66	Std.	Natural
04N.167.0400.A	16.74	40.01	3.00	PA-6/66	Std.	Natural
04N.168.0241.A	16.89	24.13	2.36	PA-6/66	Std.	Natural
04N.168.0254.A	16.89	25.40	3.18	PA-6/66	Std.	Natural
04N.168.0381.A	16.89	38.10	2.39	PA-6/66	Std.	Natural
04N.169.0243.A	16.92	24.31	3.53	PA-6/66	Std.	Natural
04N.169.0430.A	16.99	43.00	5.99	PA-6/66	Std.	Natural
04N.170.0315.A	17.02	31.50	1.52	PA-6/66	Std.	Natural
04N.171.0254.A	17.14	25.40	5.08	PA-6/66	Std.	Natural
04N.172.0269.A	17.27	26.97	3.81	PA-6/66	Std.	Natural
04N.174.0219.A	17.48	21.97	3.94	PA-6/66	Std.	Natural
04N.175.0218.A	17.53	21.89	5.59	PA-6/66	Std.	Natural
04N.175.0223.A	17.52	22.35	0.81	PA-6/66	Std.	Natural
04N.175.0243.A	17.58	24.38	3.20	PA-6/66	Std.	Natural
04N.176.0206.A	17.65	20.67	2.36	PA-6/66	Std.	Natural
04N.176.0206.B	17.65	20.67	2.36	PA-6/66	Std.	Black
04N.176.0381.A	17.68	38.10	3.05	PA-6/66	Std.	Natural
04N.177.0369.A	17.70	36.90	2.54	PA-6/66	Std.	Natural
04N.179.0221.A	17.93	22.12	2.82	PA-6/66	Std.	Natural
04N.179.0235.A	17.91	23.52	3.15	PA-6/66	Std.	Natural
04N.180.0240.A	18.03	24.00	15.24	PA-6/66	Std.	Natural
04N.184.0280.A	18.49	28.00	0.99	PA-6/66	Std.	Natural
04N.185.0213.A	18.54	21.34	3.18	PA-6/66	Std.	Natural
04N.185.0254.A	18.54	25.40	1.57	PA-6/66	Std.	Natural
04N.188.0269.A1	18.80	26.92	2.54	PA-6/66	Std.	Natural
04N.188.0269.A2	18.80	26.97	5.72	PA-6/66	Std.	Natural
04N.190.0222.A	19.05	22.23	4.06	PA-6/66	Std.	Natural
04N.190.0254.A	19.05	25.40	3.17	PA-6/66	Std.	Natural
04N.190.0381.A	19.05	38.10	6.35	PA-6/66	Std.	Natural
04N.190.0382.A	19.05	38.23	1.35	PA-6/66	Std.	Natural
04N.191.0222.A	19.18	22.23	3.18	PA-6/66	Std.	Natural
04N.191.0244.A	19.18	24.43	2.57	PA-6/66	Std.	Natural
04N.191.0254.A	19.18	25.40	4.45	PA-6/66	Std.	Natural
04N.191.0377.A	19.18	37.72	5.00	PA-6/66	Std.	Natural
04N.191.0381.A	19.18	38.10	3.30	PA-6/66	Std.	Natural
04N.193.0254.A1	19.30	25.40	1.57	PA-6/66	Std.	Natural
04N.193.0254.A2	19.30	25.40	7.14	PA-6/66	Std.	Natural
04N.193.0285.A	19.38	28.58	3.18	PA-6/66	Std.	Natural
04N.193.0360.A	19.30	36.07	2.54	PA-6/66	Std.	Natural
04N.194.0317.A	19.43	31.75	2.03	PA-6/66	Std.	Natural
04N.194.0317.B	19.43	31.75	2.03	PA-6/66	Std.	Black
04N.194.0378.A	19.43	37.85	2.54	PA-6/66	Std.	Natural
04N.195.0252.A	19.58	25.22	3.15	PA-6/66	Std.	Natural
04N.198.0226.A	19.81	22.63	12.83	PA-6/66	Std.	Natural
04N.198.0254.A	19.84	25.40	1.91	PA-6/66	Std.	Natural
04N.198.0349.A	19.84	34.93	1.60	PA-6/66	Std.	Natural
04N.200.0381.A	20.06	38.10	3.04	PA-6/66	Std.	Natural
04N.201.0400.A	20.19	40.01	0.99	PA-6/66	Std.	Natural
04N.202.0225.A	20.24	22.52	12.70	PA-6/66	Std.	Natural
04N.202.0305.A	20.29	30.50	2.99	PA-6/66	Std.	Natural
04N.203.0635.A	20.32	63.50	1.60	PA-6/66	Std.	Natural
04N.204.0317.A	20.45	31.75	1.52	PA-6/66	Std.	Natural
04N.204.0508.A	20.45	50.80	1.57	PA-6/66	Std.	Natural
04N.204.0754.A	20.45	75.41	1.59	PA-6/66	Std.	Natural
04N.205.0378.A	20.57	37.85	1.57	PA-6/66	Std.	Natural
04N.205.0378.B	20.57	37.85	1.57	PA-6/66	Std.	Black
04N.206.0268.A	20.62	26.85	3.18	PA-6/66	Std.	Natural
04N.206.0317.A	20.62	31.75	2.03	PA-6/66	Std.	Natural
04N.206.0444.A	20.62	44.45	3.18	PA-6/66	Std.	Natural
04N.206.0795.A	20.62	79.55	3.18	PA-6/66	Std.	Natural



# Plain Washer - I/D Ø 15-80mm

Plain

Nylon

Order No.	d <sub>1</sub>	d <sub>2</sub>	h	Material	Grade	Finish
04N.210.0300.A	21.01	30.00	3.99	PA-6/66	Std.	Natural
04N.213.0283.A	21.34	28.30	3.23	PA-6/66	Std.	Natural
04N.213.0317.A	21.31	31.75	1.02	PA-6/66	Std.	Natural
04N.214.0254.A	21.44	25.40	3.18	PA-6/66	Std.	Natural
04N.214.0261.A	21.44	26.19	1.02	PA-6/66	Std.	Natural
04N.217.0281.A	21.72	28.12	1.47	PA-6/66	Std.	Natural
04N.222.0283.A	22.23	28.37	4.95	PA-6/66	Std.	Natural
04N.222.0317.A	22.23	31.75	3.18	PA-6/66	Std.	Natural
04N.223.0325.A	22.35	32.57	1.57	PA-6/66	Std.	Natural
04N.225.0285.A	22.58	28.58	1.52	PA-6/66	Std.	Natural
04N.225.0317.A	22.50	31.75	2.59	PA-6/66	Std.	Natural
04N.233.0285.A	23.37	28.58	3.20	PA-6/66	Std.	Natural
04N.235.0444.A	23.57	44.45	6.99	PA-6/66	Std.	Natural
04N.238.0332.A	23.82	33.27	1.02	PA-6/66	Std.	Natural
04N.238.0412.A	23.88	41.28	1.52	PA-6/66	Std.	Natural
04N.239.0287.A	23.93	28.75	3.30	PA-6/66	Std.	Natural
04N.240.0457.A	24.08	45.72	1.45	PA-6/66	Std.	Natural
04N.249.0305.A	24.99	30.56	1.27	PA-6/66	Std.	Natural
04N.251.0368.A	25.15	36.83	3.05	PA-6/66	Std.	Natural
04N.254.0316.A	25.43	31.62	0.79	PA-6/66	Std.	Natural
04N.254.0333.A1	25.40	33.32	3.18	PA-6/66	Std.	Natural
04N.254.0333.A2	25.40	33.32	4.85	PA-6/66	Std.	Natural
04N.254.0365.A	25.40	36.50	1.75	PA-6/66	Std.	Natural
04N.254.0368.A	25.40	36.83	1.65	PA-6/66	Std.	Natural
04N.254.0397.A	25.40	39.70	1.57	PA-6/66	Std.	Natural
04N.254.0412.A	25.40	41.28	4.75	PA-6/66	Std.	Natural
04N.254.0571.A	25.40	57.15	1.91	PA-6/66	Std.	Natural
04N.256.0372.A	25.65	37.29	2.84	PA-6/66	Std.	Natural
04N.257.0349.A	25.78	34.93	3.18	PA-6/66	Std.	Natural
04N.257.0381.A1	25.78	38.10	2.03	PA-6/66	Std.	Natural
04N.257.0381.A2	25.78	38.10	6.35	PA-6/66	Std.	Natural
04N.257.0445.A	25.78	44.57	1.57	PA-6/66	Std.	Natural
04N.259.0288.A	25.96	28.83	12.70	PA-6/66	Std.	Natural
04N.260.0333.A	26.06	33.32	4.85	PA-6/66	Std.	Natural
04N.261.0309.A	26.19	30.94	1.02	PA-6/66	Std.	Natural
04N.261.0349.A	26.18	34.92	12.70	PA-6/66	Std.	Natural
04N.261.0469.A	26.11	46.99	3.05	PA-6/66	Std.	Natural
04N.273.0333.A	27.36	33.32	1.57	PA-6/66	Std.	Natural
04N.273.0635.A	27.31	63.50	3.18	PA-6/66	Std.	Natural
04N.274.0508.A	27.43	50.80	4.06	PA-6/66	Std.	Natural
04N.286.0749.A	28.60	74.93	2.54	PA-6/66	Std.	Natural
04N.295.0391.A	29.57	39.12	4.88	PA-6/66	Std.	Natural
04N.299.0370.A	29.97	37.08	2.54	PA-6/66	Std.	Natural
04N.312.0381.A	31.24	38.10	1.62	PA-6/66	Std.	Natural
04N.317.0381.A	31.75	38.10	3.18	PA-6/66	Std.	Natural
04N.318.0430.A	31.88	43.05	1.65	PA-6/66	Std.	Natural
04N.322.0763.A	32.26	76.32	2.36	PA-6/66	Std.	Natural
04N.323.0577.A	32.39	57.79	3.05	PA-6/66	Std.	Natural
04N.325.0510.A	32.51	51.05	3.43	PA-6/66	Std.	Natural
04N.336.0508.A	33.66	50.80	7.87	PA-6/66	Std.	Natural
04N.349.0412.A	34.93	41.28	2.79	PA-6/66	Std.	Natural
04N.354.0419.A	35.43	41.91	3.56	PA-6/66	Std.	Natural
04N.356.0415.A	35.69	41.53	2.36	PA-6/66	Std.	Natural
04N.358.0571.A	35.81	57.15	3.30	PA-6/66	Std.	Natural
04N.360.0553.A	36.07	55.37	1.27	PA-6/66	Std.	Natural
04N.378.0754.A	37.85	75.44	3.18	PA-6/66	Std.	Natural
04N.379.0411.A	37.97	41.12	6.22	PA-6/66	Std.	Natural
04N.381.0437.A	38.10	43.79	0.81	PA-6/66	Std.	Natural
04N.381.0484.A	38.10	48.41	2.36	PA-6/66	Std.	Natural
04N.383.0413.A	38.30	41.35	1.83	PA-6/66	Std.	Natural
04N.387.0504.A	38.75	50.42	3.18	PA-6/66	Std.	Natural
04N.387.0508.A	38.75	50.80	1.52	PA-6/66	Std.	Natural
04N.412.0763.A	41.28	76.33	2.36	PA-6/66	Std.	Natural
04N.436.0560.A	43.69	56.01	1.27	PA-6/66	Std.	Natural
04N.444.0635.A	44.45	63.50	3.18	PA-6/66	Std.	Natural
04N.447.0543.A	44.70	54.38	3.30	PA-6/66	Std.	Natural
04N.457.0523.A	45.72	52.32	1.40	PA-6/66	Std.	Natural
04N.490.0683.A	49.02	68.33	3.18	PA-6/66	Std.	Natural
04N.665.0828.A	66.55	82.80	1.57	PA-6/66	Std.	Natural

NYLON



Order No.	d <sub>1</sub>	d <sub>2</sub>	h	Material	Grade	Finish
04N.711.0766.A1	71.12	76.61	1.83	PA-6/66	Std.	Natural
04N.711.0766.A2	71.12	76.61	3.10	PA-6/66	Std.	Natural
04N.769.0914.A	76.96	91.44	1.91	PA-6/66	Std.	Natural