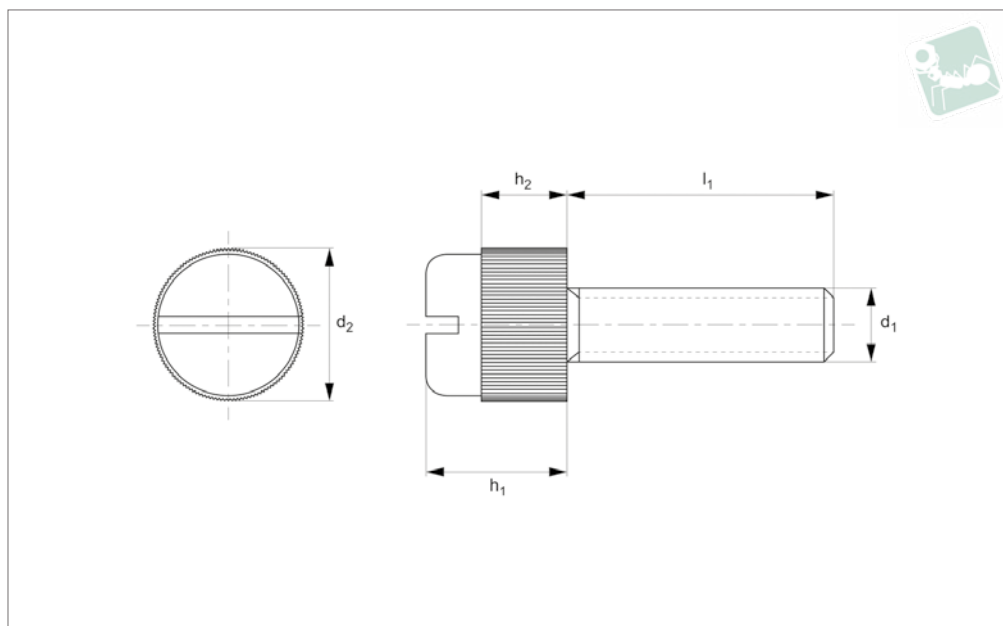


# Knurled Thumb Screw

fine knurl, slotted

Nylon



**N0150.03N**

NYLON

## Material

Nylon PA-6/66 (Std - standard grade),  
natural.

Order No.	d <sub>1</sub>	d <sub>2</sub>	h <sub>1</sub>	h <sub>2</sub>	l	Material	Grade	Finish
03N.030.0060.0A	M 3	7.8	5.4	3.3	6	PA-6/66	Std.	Natural
03N.030.0080.0A	M 3	7.8	5.4	3.3	8	PA-6/66	Std.	Natural
03N.030.0100.0A	M 3	7.8	5.4	3.3	10	PA-6/66	Std.	Natural
03N.030.0120.0A	M 3	7.8	5.4	3.3	12	PA-6/66	Std.	Natural
03N.030.0160.0A	M 3	7.8	5.4	3.3	16	PA-6/66	Std.	Natural
03N.030.0200.0A	M 3	7.8	5.4	3.3	20	PA-6/66	Std.	Natural
03N.030.0250.0A	M 3	7.8	5.4	3.3	25	PA-6/66	Std.	Natural
03N.030.0300.0A	M 3	7.8	5.4	3.3	30	PA-6/66	Std.	Natural
03N.040.0060.0A	M 4	9.4	7.0	4.8	6	PA-6/66	Std.	Natural
03N.040.0080.0A	M 4	9.4	7.0	4.8	8	PA-6/66	Std.	Natural
03N.040.0100.0A	M 4	9.4	7.0	4.8	10	PA-6/66	Std.	Natural
03N.040.0120.0A	M 4	9.4	7.0	4.8	12	PA-6/66	Std.	Natural
03N.040.0160.0A	M 4	9.4	7.0	4.8	16	PA-6/66	Std.	Natural
03N.040.0200.0A	M 4	9.4	7.0	4.8	20	PA-6/66	Std.	Natural
03N.040.0250.0A	M 4	9.4	7.0	4.8	25	PA-6/66	Std.	Natural
03N.050.0060.0A	M 5	9.7	7.7	5.3	6	PA-6/66	Std.	Natural
03N.050.0080.0A	M 5	9.7	7.7	5.3	8	PA-6/66	Std.	Natural
03N.050.0100.0A	M 5	9.7	7.7	5.3	10	PA-6/66	Std.	Natural
03N.050.0120.0A	M 5	9.7	7.7	5.3	12	PA-6/66	Std.	Natural
03N.050.0150.0A	M 5	9.7	7.7	5.3	15	PA-6/66	Std.	Natural
03N.050.0160.0A	M 5	9.7	7.7	5.3	16	PA-6/66	Std.	Natural
03N.050.0170.0A	M 5	9.7	7.7	5.3	17	PA-6/66	Std.	Natural
03N.050.0200.0A	M 5	9.7	7.7	5.3	20	PA-6/66	Std.	Natural
03N.050.0250.0A	M 5	9.7	7.7	5.3	25	PA-6/66	Std.	Natural
03N.050.0300.0A	M 5	9.7	7.7	5.3	30	PA-6/66	Std.	Natural
03N.050.0350.0A	M 5	9.7	7.7	5.3	35	PA-6/66	Std.	Natural
03N.050.0400.0A	M 5	9.7	7.7	5.3	40	PA-6/66	Std.	Natural
03N.050.0450.0A	M 5	9.7	7.7	5.3	45	PA-6/66	Std.	Natural
03N.050.0500.0A	M 5	9.7	7.7	5.3	50	PA-6/66	Std.	Natural
03N.050.0550.0A	M 5	9.7	7.7	5.3	55	PA-6/66	Std.	Natural
03N.050.0600.0A	M 5	9.7	7.7	5.3	60	PA-6/66	Std.	Natural
03N.050.0700.0A	M 5	9.7	7.7	5.3	70	PA-6/66	Std.	Natural
03N.060.0060.0A	M 6	11.9	7.5	5.8	6	PA-6/66	Std.	Natural
03N.060.0080.0A	M 6	11.9	7.5	5.8	8	PA-6/66	Std.	Natural
03N.060.0100.0A	M 6	11.9	7.5	5.8	10	PA-6/66	Std.	Natural



Order No.	d <sub>1</sub>	d <sub>2</sub>	h <sub>1</sub>	h <sub>2</sub>	l	Material	Grade	Finish
03N.060.0120.OA	M 6	11.9	7.5	5.8	12	PA-6/66	Std.	Natural
03N.060.0150.OA	M 6	11.9	7.5	5.8	15	PA-6/66	Std.	Natural
03N.060.0160.OA	M 6	11.9	7.5	5.8	16	PA-6/66	Std.	Natural
03N.060.0170.OA	M 6	11.9	7.5	5.8	17	PA-6/66	Std.	Natural
03N.060.0200.OA	M 6	11.9	7.5	5.8	20	PA-6/66	Std.	Natural
03N.060.0250.OA	M 6	11.9	7.5	5.8	25	PA-6/66	Std.	Natural
03N.060.0300.OA	M 6	11.9	7.5	5.8	30	PA-6/66	Std.	Natural
03N.060.0350.OA	M 6	11.9	7.5	5.8	35	PA-6/66	Std.	Natural
03N.060.0400.OA	M 6	11.9	7.5	5.8	40	PA-6/66	Std.	Natural
03N.060.0450.OA	M 6	11.9	7.5	5.8	45	PA-6/66	Std.	Natural
03N.060.0500.OA	M 6	11.9	7.5	5.8	50	PA-6/66	Std.	Natural
03N.060.0600.OA	M 6	11.9	7.5	5.8	60	PA-6/66	Std.	Natural
03N.060.0700.OA	M 6	11.9	7.5	5.8	70	PA-6/66	Std.	Natural
03N.060.0750.OA	M 6	11.9	7.5	5.8	75	PA-6/66	Std.	Natural
03N.060.0800.OA	M 6	11.9	7.5	5.8	80	PA-6/66	Std.	Natural
03N.060.0850.OA	M 6	11.9	7.5	5.8	85	PA-6/66	Std.	Natural
03N.060.0900.OA	M 6	11.9	7.5	5.8	90	PA-6/66	Std.	Natural
03N.060.0950.OA	M 6	11.9	7.5	5.8	95	PA-6/66	Std.	Natural
03N.060.1000.OA	M 6	11.9	7.5	5.8	100	PA-6/66	Std.	Natural
03N.060.1100.OA	M 6	11.9	7.5	5.8	110	PA-6/66	Std.	Natural
03N.060.1200.OA	M 6	11.9	7.5	5.8	120	PA-6/66	Std.	Natural
03N.060.1300.OA	M 6	11.9	7.5	5.8	130	PA-6/66	Std.	Natural
03N.080.0060.OA	M 8	11.9	7.5	5.8	6	PA-6/66	Std.	Natural
03N.080.0080.OA	M 8	11.9	7.5	5.8	8	PA-6/66	Std.	Natural
03N.080.0100.OA	M 8	11.9	7.5	5.8	10	PA-6/66	Std.	Natural
03N.080.0120.OA	M 8	11.9	7.5	5.8	12	PA-6/66	Std.	Natural
03N.080.0150.OA	M 8	11.9	7.5	5.8	15	PA-6/66	Std.	Natural
03N.080.0160.OA	M 8	11.9	7.5	5.8	16	PA-6/66	Std.	Natural
03N.080.0170.OA	M 8	11.9	7.5	5.8	17	PA-6/66	Std.	Natural
03N.080.0200.OA	M 8	11.9	7.5	5.8	20	PA-6/66	Std.	Natural
03N.080.0250.OA	M 8	11.9	7.5	5.8	25	PA-6/66	Std.	Natural
03N.080.0300.OA	M 8	11.9	7.5	5.8	30	PA-6/66	Std.	Natural
03N.080.0350.OA	M 8	11.9	7.5	5.8	35	PA-6/66	Std.	Natural
03N.080.0400.OA	M 8	11.9	7.5	5.8	40	PA-6/66	Std.	Natural
03N.080.0450.OA	M 8	11.9	7.5	5.8	45	PA-6/66	Std.	Natural
03N.080.0500.OA	M 8	11.9	7.5	5.8	50	PA-6/66	Std.	Natural
03N.080.0600.OA	M 8	11.9	7.5	5.8	60	PA-6/66	Std.	Natural
03N.080.0700.OA	M 8	11.9	7.5	5.8	70	PA-6/66	Std.	Natural
03N.080.0750.OA	M 8	11.9	7.5	5.8	75	PA-6/66	Std.	Natural
03N.080.0800.OA	M 8	11.9	7.5	5.8	80	PA-6/66	Std.	Natural
03N.080.0850.OA	M 8	11.9	7.5	5.8	85	PA-6/66	Std.	Natural
03N.080.0900.OA	M 8	11.9	7.5	5.8	90	PA-6/66	Std.	Natural
03N.080.0950.OA	M 8	11.9	7.5	5.8	95	PA-6/66	Std.	Natural
03N.080.1000.OA	M 8	11.9	7.5	5.8	100	PA-6/66	Std.	Natural
03N.080.1100.OA	M 8	11.9	7.5	5.8	110	PA-6/66	Std.	Natural
03N.080.1200.OA	M 8	11.9	7.5	5.8	120	PA-6/66	Std.	Natural
03N.080.1300.OA	M 8	11.9	7.5	5.8	130	PA-6/66	Std.	Natural