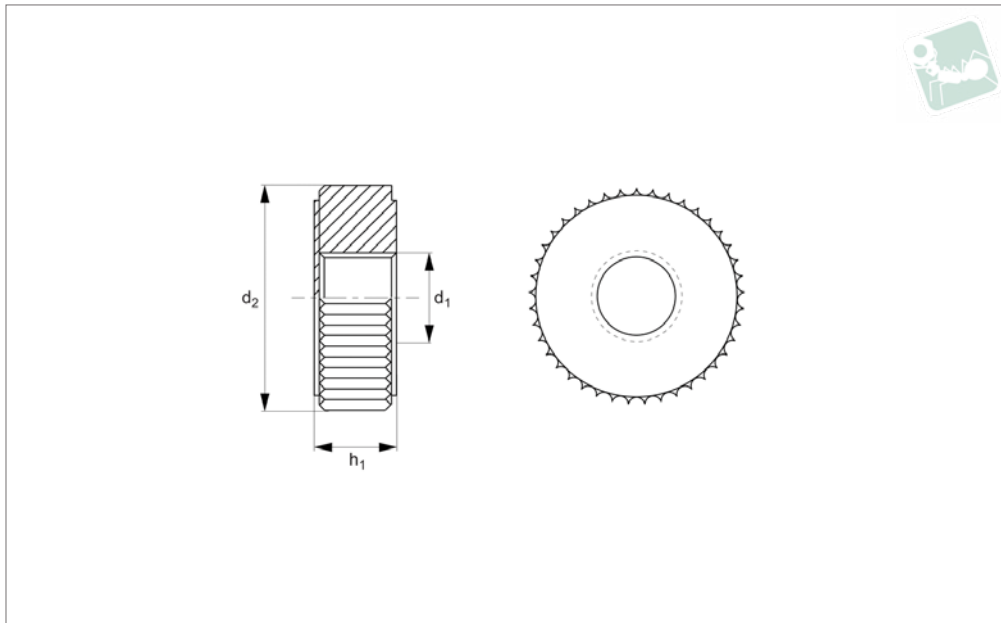




Knurled Thumb Nuts

knurled

Nylon



N0102

NYLON

Material

Nylon 66 (PA 6/66), 25% glass filled.
Natural.

Technical Notes

Many Nylon parts are available in dyed

black, this subject to a minimum value and process charge, please contact us for further details.

Dyed black colour is not long term UV stable. Nylon parts offer good electrical

insulation, is resistant to corrosion and most dilute acids.

Nylon protects work surfaces and absorbs shocks and vibrations.

Order No.	d ₁	d ₂	h ₁ max.	Material	Grade	Finish
N0102.030.1W	M 3	8.0	3.5	PA-6/66	Glass 0.2	White
N0102.040.1W	M 4	10.0	4.2	PA-6/66	Glass 0.2	White
N0102.050.1W	M 5	13.0	5.2	PA-6/66	Glass 0.2	White
N0102.060.1W	M 6	12.5	6.0	PA-6/66	Glass 0.2	White
N0102.080.1W	M 8	17.5	8.3	PA-6/66	Glass 0.2	White
N0102.100.1W	M10	21.5	10.0	PA-6/66	Glass 0.2	White