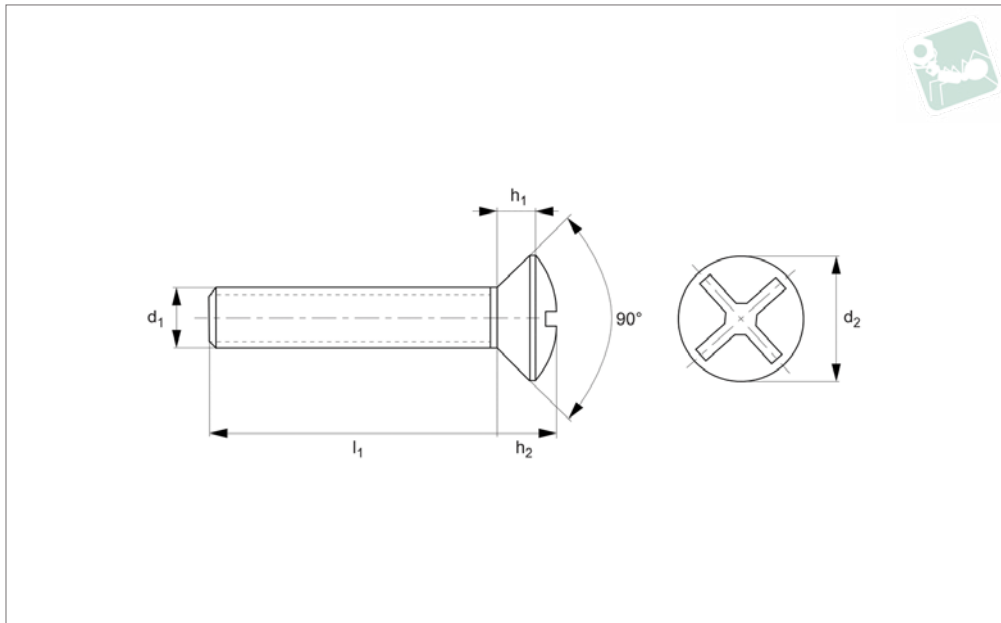




Pozi Raised CSK Screws

DIN 966

Nylon



N0022.22N

NYLON

Material

Nylon 66 (PA 6/66), standard. Natural.

Technical Notes

DIN norms were created for metal parts, the dimensions of our plastic DIN equivalents are close to the norm but do not

follow the strict tolerances typically relevant to metal parts.

Many Nylon parts are available in dyed black, this subject to a minimum value and process charge, please contact us for further details.

Dyed black colour is not long term UV stable. Nylon parts offer good electrical insulation, is resistant to corrosion and most dilute acids.

Nylon protects work surfaces and absorbs shocks and vibrations.

Order No.	d ₁	l ₁	d ₂	h ₁	h ₂	Material	Grade	Finish
22N.025.0040.0A	M2,5	4	5.5	1.5	2.1	PA-6/66	Std.	Natural
22N.025.0050.0A	M2,5	5	5.5	1.5	2.1	PA-6/66	Std.	Natural
22N.025.0060.0A	M2,5	6	5.5	1.5	2.1	PA-6/66	Std.	Natural
22N.025.0080.0A	M2,5	8	5.5	1.5	2.1	PA-6/66	Std.	Natural
22N.025.0100.0A	M2,5	10	5.5	1.5	2.1	PA-6/66	Std.	Natural
22N.025.0120.0A	M2,5	12	5.5	1.5	2.1	PA-6/66	Std.	Natural
22N.025.0160.0A	M2,5	16	5.5	1.5	2.1	PA-6/66	Std.	Natural
22N.025.0200.0A	M2,5	20	5.5	1.5	2.1	PA-6/66	Std.	Natural
22N.025.0250.0A	M2,5	25	5.5	1.5	2.1	PA-6/66	Std.	Natural
22N.030.0050.0A	M 3	5	6.3	1.7	2.4	PA-6/66	Std.	Natural
22N.030.0060.0A	M 3	6	6.3	1.7	2.4	PA-6/66	Std.	Natural
22N.030.0080.0A	M 3	8	6.3	1.7	2.4	PA-6/66	Std.	Natural
22N.030.0100.0A	M 3	10	6.3	1.7	2.4	PA-6/66	Std.	Natural
22N.030.0120.0A	M 3	12	6.3	1.7	2.4	PA-6/66	Std.	Natural
22N.030.0160.0A	M 3	16	6.3	1.7	2.4	PA-6/66	Std.	Natural
22N.030.0200.0A	M 3	20	6.3	1.7	2.4	PA-6/66	Std.	Natural
22N.030.0250.0A	M 3	25	6.3	1.7	2.4	PA-6/66	Std.	Natural
22N.030.0350.0A	M 3	35	6.3	1.7	2.4	PA-6/66	Std.	Natural
22N.035.0050.0A	M3,5	5	8.2	2.3	3.1	PA-6/66	Std.	Natural
22N.035.0060.0A	M3,5	6	8.2	2.3	3.1	PA-6/66	Std.	Natural
22N.035.0080.0A	M3,5	8	8.2	2.3	3.1	PA-6/66	Std.	Natural
22N.035.0100.0A	M3,5	10	8.2	2.3	3.1	PA-6/66	Std.	Natural
22N.035.0160.0A	M3,5	16	8.2	2.3	3.1	PA-6/66	Std.	Natural
22N.035.0200.0A	M3,5	20	8.2	2.3	3.1	PA-6/66	Std.	Natural
22N.035.0250.0A	M3,5	25	8.2	2.3	3.1	PA-6/66	Std.	Natural
22N.040.0060.0A	M 4	6	9.4	2.7	3.7	PA-6/66	Std.	Natural
22N.040.0080.0A	M 4	8	9.4	2.7	3.7	PA-6/66	Std.	Natural
22N.040.0100.0A	M 4	10	9.4	2.7	3.7	PA-6/66	Std.	Natural
22N.040.0120.0A	M 4	12	9.4	2.7	3.7	PA-6/66	Std.	Natural
22N.040.0160.0A	M 4	16	9.4	2.7	3.7	PA-6/66	Std.	Natural
22N.040.0200.0A	M 4	20	9.4	2.7	3.7	PA-6/66	Std.	Natural
22N.040.0250.0A	M 4	25	9.4	2.7	3.7	PA-6/66	Std.	Natural



Order No.	d ₁	l ₁	d ₂	h ₁	h ₂	Material	Grade	Finish
22N.050.0060.0A	M 5	6	10.4	2.7	3.9	PA-6/66	Std.	Natural
22N.050.0080.0A	M 5	8	10.4	2.7	3.9	PA-6/66	Std.	Natural
22N.050.0100.0A	M 5	10	10.4	2.7	3.9	PA-6/66	Std.	Natural
22N.050.0120.0A	M 5	12	10.4	2.7	3.9	PA-6/66	Std.	Natural
22N.050.0160.0A	M 5	16	10.4	2.7	3.9	PA-6/66	Std.	Natural
22N.050.0200.0A	M 5	20	10.4	2.7	3.9	PA-6/66	Std.	Natural
22N.050.0250.0A	M 5	25	10.4	2.7	3.9	PA-6/66	Std.	Natural
22N.050.0300.0A	M 5	30	10.4	2.7	3.9	PA-6/66	Std.	Natural
22N.050.0400.0A	M 5	40	10.4	2.7	3.9	PA-6/66	Std.	Natural
22N.060.0080.0A	M 6	8	12.6	3.3	4.7	PA-6/66	Std.	Natural
22N.060.0100.0A	M 6	10	12.6	3.3	4.7	PA-6/66	Std.	Natural
22N.060.0120.0A	M 6	12	12.6	3.3	4.7	PA-6/66	Std.	Natural
22N.060.0160.0A	M 6	16	12.6	3.3	4.7	PA-6/66	Std.	Natural
22N.060.0200.0A	M 6	20	12.6	3.3	4.7	PA-6/66	Std.	Natural
22N.060.0250.0A	M 6	25	12.6	3.3	4.7	PA-6/66	Std.	Natural
22N.060.0350.0A	M 6	35	12.6	3.3	4.7	PA-6/66	Std.	Natural
22N.060.0450.0A	M 6	45	12.6	3.3	4.7	PA-6/66	Std.	Natural
22N.080.0100.0A	M 8	10	17.3	4.6	6.6	PA-6/66	Std.	Natural
22N.080.0160.0A	M 8	16	17.3	4.6	6.6	PA-6/66	Std.	Natural
22N.080.0200.0A	M 8	20	17.3	4.6	6.6	PA-6/66	Std.	Natural
22N.080.0250.0A	M 8	25	17.3	4.6	6.6	PA-6/66	Std.	Natural
22N.080.0300.0A	M 8	30	17.3	4.6	6.6	PA-6/66	Std.	Natural
22N.080.0500.0A	M 8	50	17.3	4.6	6.6	PA-6/66	Std.	Natural
22N.100.0200.0A	M10	20	20.0	5.0	7.3	PA-6/66	Std.	Natural
22N.100.0250.0A	M10	25	20.0	5.0	7.3	PA-6/66	Std.	Natural
22N.100.0350.0A	M10	35	20.0	5.0	7.3	PA-6/66	Std.	Natural