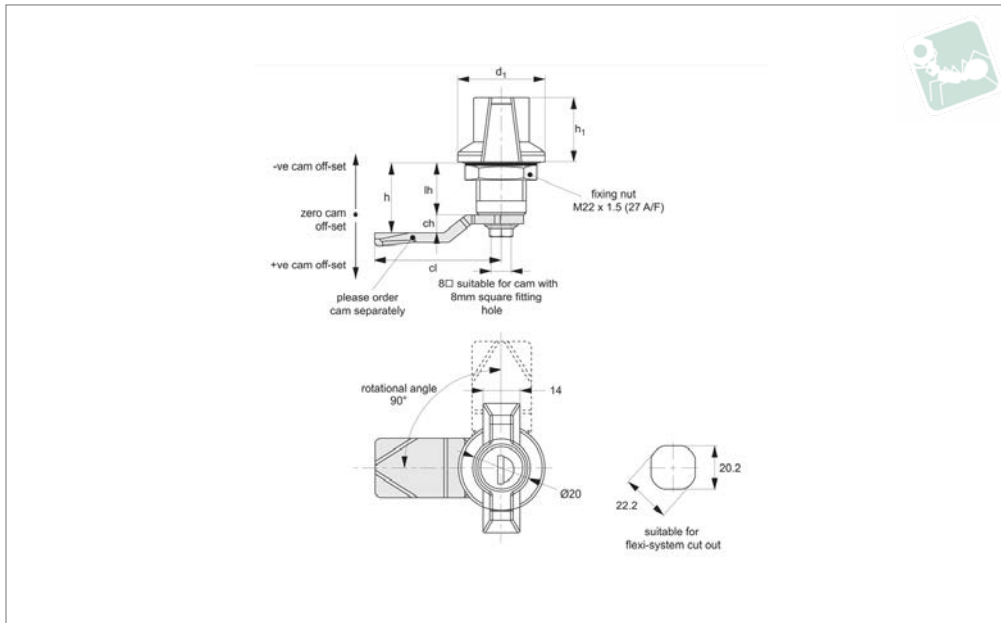




# Cam Locks - Wing Handle

flexi-system - fixed grip - zinc



**CC2020**

LOCKS

**Material**

Body & insert: die cast zinc, finished in chrome plate or black powder coating. Fitted with O'ring to provide IP54 rating. Cylinder lock: die cast zinc, chrome plated. With dust cap to prevent material ingress.

**Supplied with:** Keys: two per lock.

**Not supplied:** CAM - order separately.

**Technical Notes**

Order cam separately.

**Cams:** see suitable cam CC0020, and

CC0040. Select „without projection“ cam type.

Dimensions  $ch$  and  $cl$  relate to cam. Use formula to calculate  $ch$  (required cam off-set), and refer to cam selection chart;

**$ch = h - lh$**  where;

**$ch$**  = required cam off-set/height.

**$h$**  = grip length (distance between inside of latch face and front of cam).

**$lh$**  = body length of cam latch/lock to be used (see product table below).

**Rods & Guides:** to achieve 3-point latching - CC0340, CC0350, CC0355.

**Tips**

Quarter turn opening or closing.

Wings act as actuation handle.

Universal left and right.

**Important Notes**

Sold subject to pack quantity.

Order No.	Body finish	Key type	$d_1$	$h_1$	$lh$
CC2020.M0010	Chrome	Keyed Alike	30.5	23.6	18
CC2020.M0020	Chrome	Keyed to Differ	30.5	23.6	18
CC2020.M0310	Black Coated	Keyed Alike	30.5	23.6	18
CC2020.M0320	Black Coated	Keyed to Differ	30.5	23.6	18