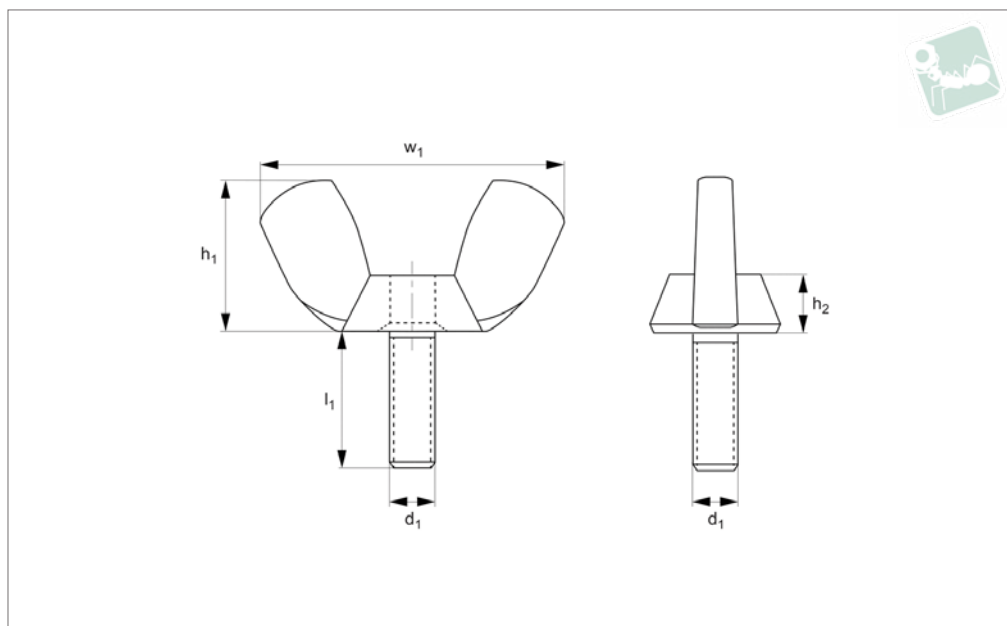




Wing Screw male thread

Brass



B0528.B0

BRASS

Material

Brass, Cu3 (CuZn39Pb3).

Technical Notes

DIN 316

Order No.	d ₁	h ₁	h ₂	l ₁	w ₁
B0528.050-010	M 5	11.0	4.0	10	24.0
B0528.050-016	M 5	11.0	4.0	16	24.0
B0528.050-020	M 5	11.0	4.0	20	24.0
B0528.050-025	M 5	11.0	4.0	25	24.0
B0528.060-010	M 6	15.0	5.0	10	30.0
B0528.060-016	M 6	15.0	5.0	16	30.0
B0528.060-020	M 6	15.0	5.0	20	30.0
B0528.060-025	M 6	15.0	5.0	25	30.0
B0528.060-030	M 6	15.0	5.0	30	30.0
B0528.060-040	M 6	15.0	5.0	40	30.0
B0528.080-010	M 8	18.0	6.5	10	36.0
B0528.080-016	M 8	18.0	6.5	16	36.0
B0528.080-020	M 8	18.0	6.5	20	36.0
B0528.080-025	M 8	18.0	6.5	25	36.0
B0528.080-030	M 8	18.0	6.5	30	36.0
B0528.080-040	M 8	18.0	6.5	40	36.0
B0528.100-020	M10	23.0	8.0	20	48.0
B0528.100-025	M10	23.0	8.0	25	48.0
B0528.100-030	M10	23.0	8.0	30	48.0
B0528.100-040	M10	23.0	8.0	40	48.0