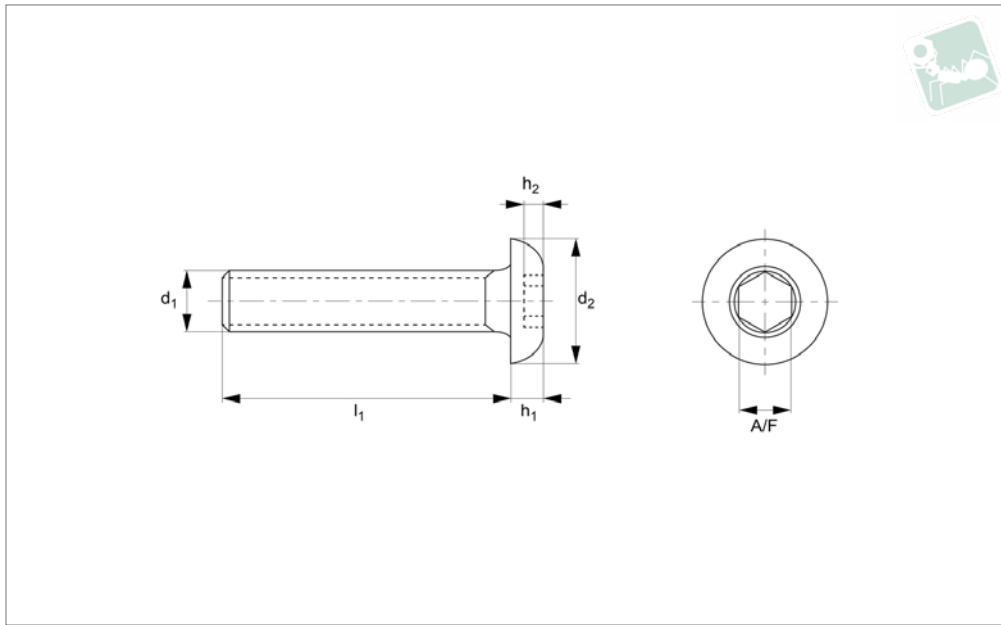




# Socket Button Head Screw

Socket Button Head, ISO 7380, 7075

Aluminium



**A0022.A7**

ALUMINIUM

### Material

Aluminium high tensile.

### Technical Notes

Socket Button Head Screw, Aluminium  
7075

Order No.	Thread	$l_1$	$d_2$	$h_1$	$h_2$	A/F	Material	Finish
A0022.050-016	M 5	16	12	2.75	1.56	3	Aluminium	unfinished
A0022.050-020	M 5	20	12	2.75	1.56	3	Aluminium	unfinished
A0022.060-016	M 6	16	16	3.3	2.08	4	Aluminium	unfinished
A0022.060-020	M 6	20	16	3.3	2.08	4	Aluminium	unfinished
A0022.060-025	M 6	25	16	3.3	2.08	4	Aluminium	unfinished